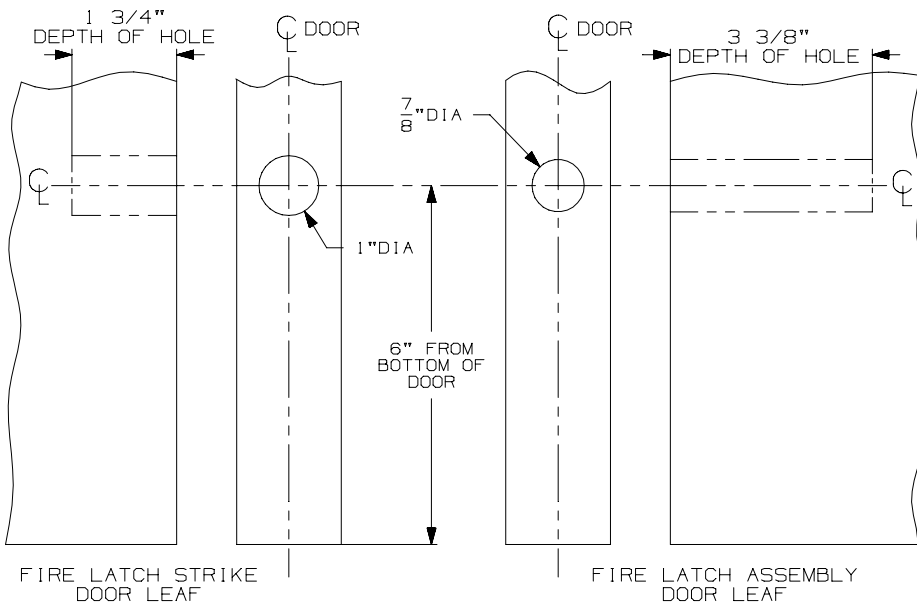
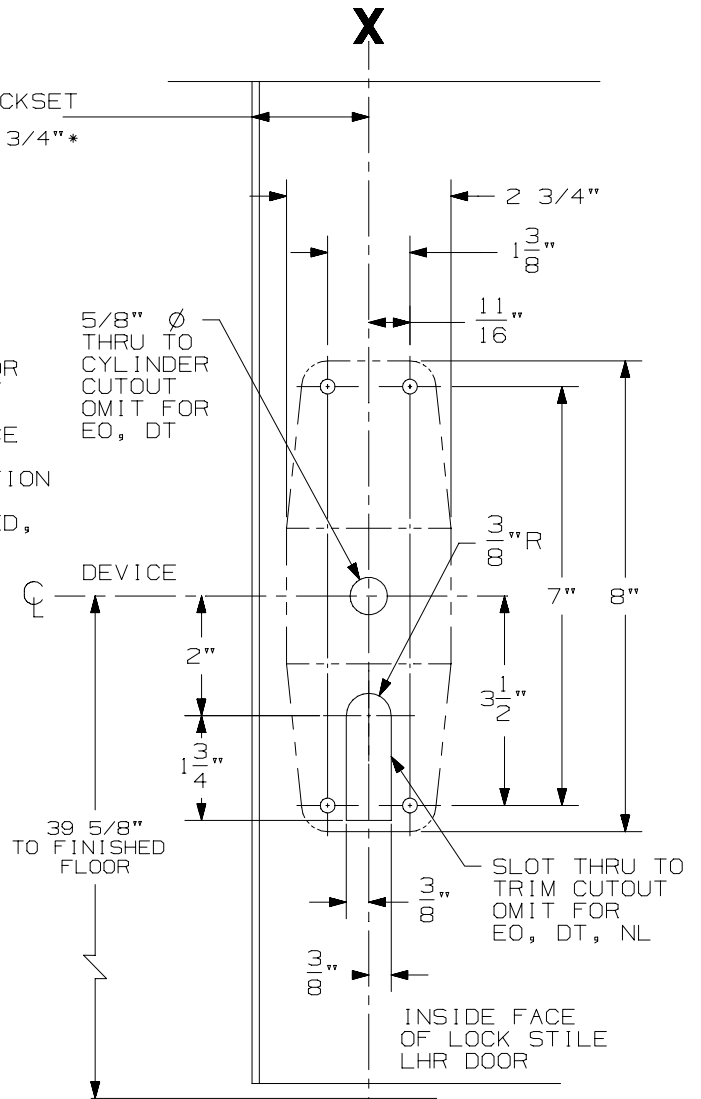


NOTES:

- * 1. BACKSET MAY VARY WHEN USED WITH COORDINATOR DEPENDING ON TYPE USED. USE 2 3/4" BACKSET FOR WOOD FIRE DOORS.
- 2. REMOVE GLASS STOP OR BEAD IN AREA OF DEVICE IF REQUIRED UNLESS GBK KIT IS USED.
- 3. MOUNTING HOLES TO BE PREPARED AT INSTALLATION ON DOOR.
- 4. FOR OUTSIDE TRIM PREPARATION, WHEN REQUIRED, SEE ADDITIONAL TRIM TEMPLATE.
- 5. LHR APPLICATION SHOWN, RHR APPLICATION OPPOSITE.

② BACKSET
2 3/4"*



98/9927-F-LBR Series
Vertical Rod Devices (Wood Door)

VON DUPRIN®

NOTES: SEE MASTER SHEET #10001 FOR SUGGESTED REINFORCING

TEMPLATE NUMBER:

W10318_a

DATE:
05-29-13