

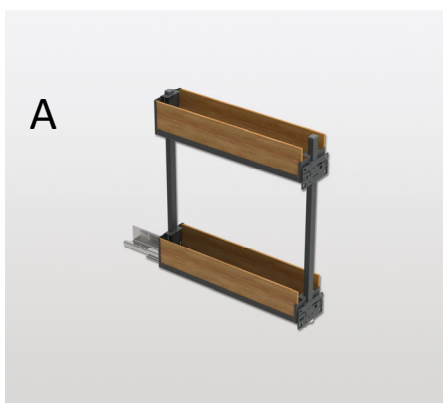
Base cabinets



The perfect solution for narrow base cabinet. Lateral mounting provides excellent stability thanks to the sturdy frame. Door-mounted to provide control on three axes. The ideal product for organizing dried goods, canned foods, cookie boxes, and much more

The sets include :

- Full extension slides
- 2 Fioro shelves with 87mm (3 7/16") oak railings
- Anti-slip mats for each shelf
- Soft-close device on the top and at the bottom
- Load capacity : 150/200 : 15kg (33 lbs)
- Load capacity : 300 : 20kg (44 lbs)



Ref.	Code	Description	Int. Min. Width	Int. Min. Depth	Int. Min. Height
A	22118906	Fioro 150 2 tier dark grey	112mm (4 7/16")	475mm (18 3/4")	520mm (20 1/2")
A	22119906	Fioro 200 2 tier dark grey	162mm (6 3/8")	475mm (18 3/4")	520mm (20 1/2")
A	22120906	Fioro 300 2 tier dark grey	262mm (10 5/16")	475mm (18 3/4")	520mm (20 1/2")
B	22121906	Fioro 150 towel dark grey	112mm (4 7/16")	475mm (18 3/4")	660mm (26")

Anti-slip mats included