

SARGENT®

ASSA ABLOY

6 Line

Bored Lock



Specifications

6 Line Knob Lock

SARGENT®

ASSA ABLOY

Table of Contents

Features & Benefits 1
 Knob & Rose Designs 2
 Functions 3-4
 Latches 5
 Retrofit Options 6
 Strikes 7
 How to Order, Finishes, Packaging, Architectural Specifications 8
 Options 9

Specifications

For Doors	1-3/8" (35mm) thick door adjustable to 1-3/4" (44mm)
Backsets	2-3/8" (60mm) x 1" (25mm) standard 2-3/4" (70mm) x 1" (25mm) backset available (17- option) 2-3/4" (70mm) x 1-1/8" (29mm) backset available (24- option) 3-3/4" (95mm) x 1-1/8" (29mm) backset available (23- option)
Bored Housing	Steel, zinc dichromate finish
Front	Wrought brass or bronze 2-1/4" (57mm) x 1" (25mm) standard — other options available
Strike	Wrought brass, bronze or stainless steel 600 curved lip strike standard 808 curved lip ANSI strike (28- option) 505 Radius/full lip strike (14- option) Wrought box strike available (WBS option)
Hand	Non-cylinder locks — non-handed Cylinder type locks — reversible in field
Knobs	Heavy wrought brass or bronze
Roses	Heavy wrought brass or bronze
Latch	Brass x 1/2" (13mm) throw
Cylinder	Brass, 6 pin, LA keyway standard
Keys	Two, nickel silver
Masterkeying	Can be master keyed or grand master keyed Construction key systems available
Finishes	3, 4, 10, 10B, 10BE, 15, 26, 26D
Door Prep	160 Standard Door Prep, Specify 24- for 161 Door Prep
Minimum Stile	4" (102mm) with B and O roses 4-1/2" (114mm) with E and L roses

Certification Compliance

ANSI	Certified ANSI A156.2 Series 4000 — Grade 2
UL	UL listed to U.S.A. and Canadian safety standards Listed for 3 Hour Doors (double doors require 41- option)
Positive Pressure	Meets ANSI/UL 10C, Positive Pressure Fire Test of Door Assemblies

Any retrofit or other field modification to a fire rated opening can potentially impact the fire rating of the opening, and Sargent Manufacturing Company makes no representations or warranties concerning what such impact may be in any specific situation. When retrofitting any portion of an existing fire rated opening, or specifying and installing a new fire-rated opening, please consult with a code specialist or local code official (Authority Having Jurisdiction) to ensure compliance with all applicable codes and ratings.

On the Cover

6G05 x BS

1-800-727-5477 • www.sargentlock.com



MicroShield®

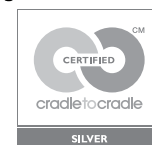
As part of their promise to provide innovative solutions to their customers, certain ASSA ABLOY Group brands offer the MicroShield® technology, a silver-based antimicrobial coating designed to inhibit the growth of bacteria. MicroShield® is a registered trademark of Yale Security Inc., an ASSA ABLOY Group company.

MicroShield® Coating

- Revolutionary finish coating available on all SARGENT product lines, utilizes a silver-based antimicrobial compound from Agion Technologies
- As an integral part of the finish coating, MicroShield® lasts for the life of the hardware
- MicroShield® coating permanently suppresses the growth of bacteria, algae, fungus, mold and mildew. It is effective against a broad spectrum of bacteria.
- Non-toxic and completely safe. The Agion antimicrobial compound is EPA and NSF approved and FDA listed for use in medical and food preparation equipment.
- Applications: Anywhere there is need for a clean environment (hospitals, laboratories, schools, medical centers, daycare, food processing etc.)



Agion has achieved:



Agion's silver antimicrobial has been certified for its material content, recyclability, and manufacturing characteristics. Cradle To Cradle Certified^{CM} products meet established standards for human health, environmental health and recyclability.

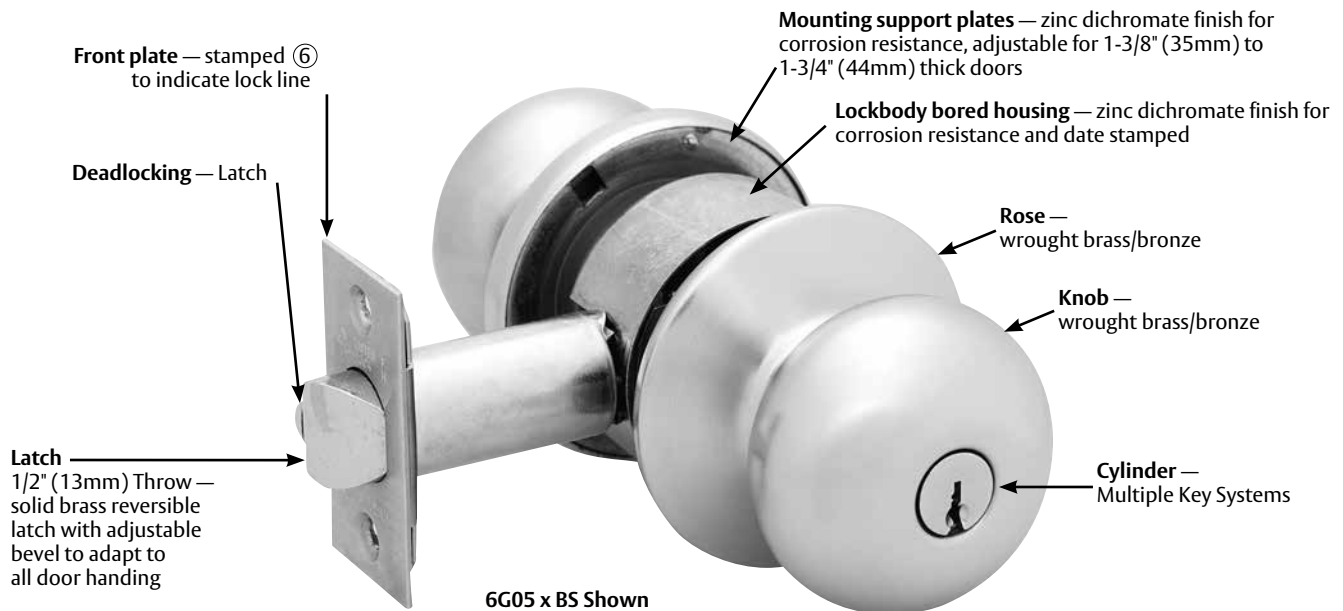
Cradle To Cradle Certified^{CM} is a certification mark of MBDC.

ASSA ABLOY, the global leader in door opening solutions

Features & Benefits

6 Line Knob Lock

Features & Benefits



The 6 Line is a highly styled standard duty lock line incorporating a broad spectrum of functions, designs and finishes built and certified to ANSI/BHMA 156.2 Series 4000 Grade 2. It is ideally suited for fine homes, apartments, hotels and commercial buildings.

Versatility

- Lockbody fits doors from 1-3/8" (35mm) to 1-3/4" (44mm) thick
- Latches are available in 4 standard backsets
- Non-handed or field reversible
- Fits ANSI 115.2 (160) door prep
- Multiple latches and strike options available including radius/round applications
- Wide variety of functions and options

Quality

- Complements and blends with trim designs of other SARGENT locks for unified appearance
- Certified ANSI A156.2 Series 4000 — Grade 2
- Accepts SARGENT standard and high security core cylinders
- Quality finishes with split finishes optional
- Fire Code compliance with all functions depending on application
- MicroShield® permanent silver-base antimicrobial coating.

Convenience

- Installs with just two lockbody screws for easy installation and maintenance
- Mix rose and knob designs for a custom look — 2 knob and 4 rose designs

Applications

- Standard duty commercial buildings
- Offices
- Apartment buildings
- Hotel/Motel
- Residential housing
- Retail
- Churches
- Warehouses

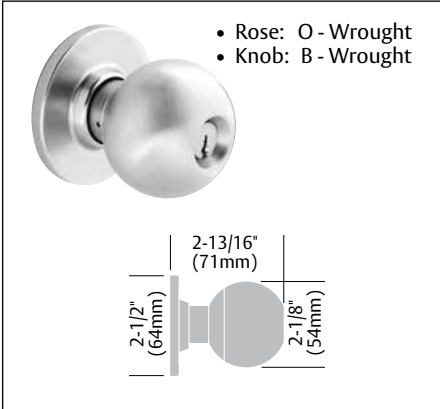
Knob & Rose Designs

6 Line Knob Lock

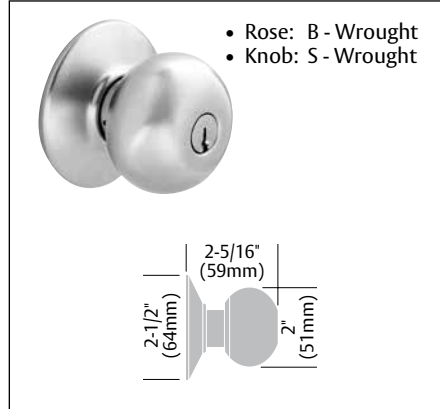
SARGENT[®]

ASSA ABLOY

OB Design



BS Design



Knob projections shown are for 1-3/4" (44mm) thick doors and will vary by door thickness.

Available with split knob design; specify outside trim design first on order.

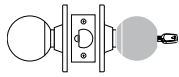
Functions

6 Line Knob Lock

Single Cylinder Functions

04 Storeroom or Closet

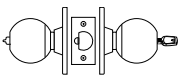
6G04



- Deadlocking latch
- Latch retracted by knob inside or key outside
- Outside knob rigid at all times
- **ANSI F86**

05 Entrance or Office

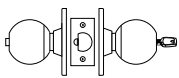
6G05



- Deadlocking latch
- Latch retracted by either knob unless outside knob is locked by turn button in inside knob
- Turn button must be released manually
- Key retracts latch when outside knob is locked
- **ANSI F81**

24 Entry or Office

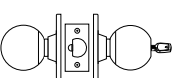
6G24



- Deadlocking latch
- Latch retracted by either knob unless outside knob is locked by push button in inside knob
- Push button released by key or turning inside knob
- Closing door does not release outside knob or button
- Key in outside knob retracts latch and releases inside button
- **ANSI F82**

37 Classroom

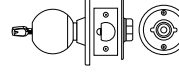
6G37



- Deadlocking latch
- Latch retracted by either knob unless outside knob is locked by key
- Key in outside knob locks or unlocks outside knob
- **ANSI F84**

38-2 Twin Communicating

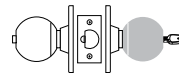
6G38-2



- Deadlocking latch
- Latch retracted by inside knob or T-turn
- Key in inside knob locks or unlocks both inside knob and outside T-turn
- For 1-3/8" (35mm) or 1-3/4" (44mm) thick doors only. Must specify when ordering
- Minimum clearance of 1-1/2" (38mm) required between doors

50 Hotel, Dormitory or Apartment

6G50



- Deadlocking latch
- Latch retracted by key outside and knob inside
- Outside knob always rigid
- Depressing push button when door is closed shuts out all keys except emergency key and projects visual occupancy indicator in cylinder face
- Push button released by turning inside knob which automatically reactivates all keys and retracts visual occupancy indicator
- Lockout key fixes push button in locked position, shutting out all keys except emergency and is not released by turning inside knob
- Lockout key provided
- See option page for restrictions to 50 function
- **ANSI F93**

NOTE: Shaded knob indicates it is rigid at all times.

Functions

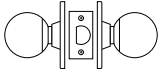
6 Line Knob Lock

Non-Cylinder Functions

15 Passage

6U15

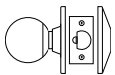
- Latch retracted by either knob
- ANSI F75



15-3 Exit or Twin Communicating

6G15-3

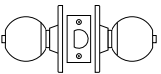
- Deadlocking latch
- Latch retracted by knob inside
- Blank rose outside
- For 1-3/8" (35mm) or 1-3/4" (44mm) thick doors only
- Minimum clearance of 1" (25mm) required between doors



65 Privacy/Bathroom

6U65

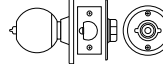
- Latch retracted by either knob unless outside knob is locked by push button in inside knob
- Turning inside knob or closing door releases button
- Emergency key or flat blade screwdriver in the emergency button releases the inside button and unlocks the outside knob
- Emergency key supplied only when ordered separately (14-0300)
- ANSI F76



75-2 Twin Communicating

6G75-2

- Deadlocking latch
- Latch retracted by inside knob or T-turn outside
- Turning button in inside knob locks both inside knob and outside T-turn
- For 1-3/8" (35mm) or 1-3/4" (44mm) thick doors only. Must specify when ordering
- Minimum clearance of 1-1/2" (38mm) required between doors



93 Single Knob

6U93

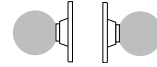
- For wood or custom hollow metal doors
- Knob and rose attached by surface applied screws (hidden)
- Not available with E or L Rose designs
- Requires special door preparation — see template



94 Double Knob

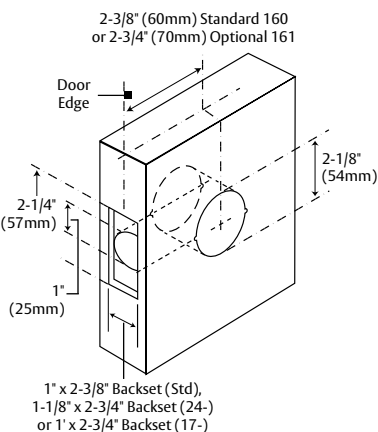
6U94

- For wood or custom hollow metal doors
- Knob and rose attached both sides by surface applied screws each side (hidden)
- Not available with E or L Rose designs
- Requires special door preparation — see template



NOTE: Shaded knob indicates it is rigid at all times.

Door Prep



If weather stripping, acoustical materials or silencers are used on the door or frame, care must be taken in the installation so that it will not interfere with the ease in which the latch enters the strike.

14-0299 Lockout Key

- Provided with 50 function



14-0300 Emergency Key

- Provided with 65 function
- Emergency key provided only when ordered separately



Latches

6 Line Knob Lock

SARGENT®

ASSA ABLOY

Latch Assemblies

PART	TYPE	OPTION/BACKSET	FRONT
06-5083	Deadlocking Latch	Standard 2-3/8" (60mm)	2-1/4" x 1" (57mm x 25mm)
06-5225	Non Deadlocking Latch	"	"
06-5085	Deadlocking Latch	13- Option 2-3/8" (60mm)	1/4" Radius Corner (6mm)
06-5227	Non Deadlocking Latch	"	"
*06-5100	Deadlocking Latch	15- Option 2-3/8" (60mm)	Drive in type (26D finish only)
06-5102	Deadlocking Latch	17- Option 2-3/4" (70mm)	2-1/4" x 1" (57mm x 25mm)
06-5234	Non Deadlocking Latch	"	"
06-5096	Deadlocking Latch	23- Option 3-3/4" (95mm)	2-1/4" x 1-1/8" (57mm x 29mm)
06-5232	Non Deadlocking Latch	"	"
06-5094	Deadlocking Latch	24- Option 2-3/4" (70mm)	2-1/4" x 1-1/8" (57mm x 29mm)
06-5231	Non Deadlocking Latch	"	"

* Not UL listed

Latches

- To order latch separately, specify: part number x finish (see table above)
- Front size: 2-1/4" (57mm) x 1" (25mm) Unless Otherwise Specified

2-3/8" (60mm) Backset Latch — Standard



- Shipped standard with keyed locks, deadlocking
- 15 and 65 functions are not deadlocking
- Deadlocking Latch: 06-5083
- Non Deadlocking Latch: 06-5225
- Finishes: 3, 4, 10, 10B, 10BE, 32, 32D

13- Option: Radius Latch & Strike 1/4" (6mm)



- Deadlocking Latch: 06-5085
- Non Deadlocking Latch: 06-5227
- Finishes: 3, 4, 10, 10B, 10BE, 32D
- To order latch with lock, specify 13- option
- Example: 13-6G05 x OB x 32D

15- Option: Drive-in Latch



- 1" (25mm) diameter
- 2-3/8" backset only
- Deadlocking Latch: 06-5100
- Available in 32D Only
- To order latch with lock specify 15- option
- Example: 15-6G05 x OB x 32D

17- Option: 2-3/4" (70mm) Backset x 1" Front



- Front Size: 2-1/4" (57mm) x 1" (25mm)
- Deadlocking Latch: 06-5102
- Non Deadlocking Latch: 06-5234
- Finishes: 3, 4, 10, 10B, 10BE, 32D
- To order latch with lock, specify 17- option
- Example: 17-6G05 x OB x 32D

23- Option: Extended Backset Latch



- Front Size: 2-1/4" x 1-1/8" (57mm x 29mm)
- 3-3/4" (95mm) backset
- Deadlocking Latch: 06-5096
- Non Deadlocking Latch: 06-5232
- Finishes: 3, 4, 10, 10B, 10BE, 32D

24- Option: 2-3/4" (70mm) Backset x 1-1/8" Front



- Front Size: 2-1/4" x 1-1/8" (57mm x 29mm)
- Deadlocking Latch: 06-5094
- Non Deadlocking Latch: 06-5231
- Finishes: 3, 4, 10, 10B, 10BE, 32D
- To order latch with lock, specify 24- option
- Example: 24-6G05 x OB x 32D

530 Kit: Rabbeted Front and Strike



- Order as 530 x finish
- Filler plate 2-1/4" (57mm) x 1-1/8" (29mm)
- For 1" (25mm) fronts only
- Finishes: 3, 10, 10B, 10BE, 26, 26D

Retrofit Options

6 Line Knob Lock

SARGENT®

ASSA ABLOY

SARGENT 6010 Replacement Kit — for 7600 Integra Locks



Sub Front



800 Strike



808 Strike

- For installation of 6 Line with 2-3/4" (17-) backset to replacing old 7600 Integra locks in wood doors
- Finishes: 3, 4, 10, 10B, 10BE, 10BL, 15, 20D, 26 and 26D
- Replacement Kit consists of:

Quantity	Item	Item Number	Size
1	Sub Front	08-0562 x finish	4-1/4" (108mm) x 1-1/4" (32mm)
1	Strike (must specify 800 or 808)	800 x finish (with screws) 808 x finish (with screws)	2-3/4" (70mm) x 1-1/4" (32mm) x 1-1/4" (31mm) 4-7/8" (121mm) x 1-1/8" (29mm) x 1-1/4" (31mm)
1	Strike Box	08-0055 77-1141	For 800 Strike For 808 Strike (ANSI)
2	Sub Front Screws	01-5001	#10-24 x 3/4" (19mm)

**NOTE: Strikes will not retrofit for strikes 4-1/4" (108mm) x 1-1/8" (29mm) x 1-1/4" (32mm)
Lock will not retrofit for lock front plate size 5-1/4" (133mm) x 1-1/4" (32mm) – 36-7600 locks**

Cover Plates



Cover Plate
3" (76mm) x 12" (305mm)
Order: 06-0037 x finish
(2 qty. required)

Screws
Order: 01-2037 x finish
(8 qty. required)

Copyright © 2003, 2004, 2007, 2008, 2009, 2012, 2013, 2015, Sargent Manufacturing Company, an ASSA ABLOY Group company. All rights reserved. Reproduction in whole or in part without the express written permission of Sargent Manufacturing Company is prohibited.

90113-E 10/20/15

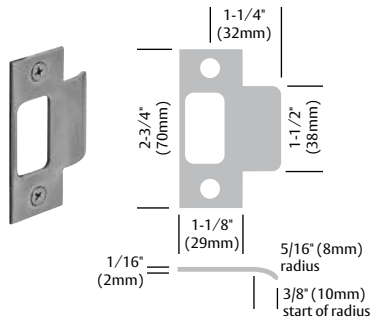
Strikes

6 Line Knob Lock

Strikes

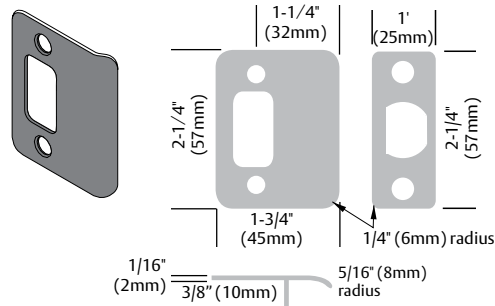
- Strike finishes: 03, 04, 10, 10B, 10BL, 20D, 32, 32D
- Lock with 26 finish is supplied with 32 strike; 26D lock is supplied with 32D strike

2-3/4" Curved Lip Strike – Standard



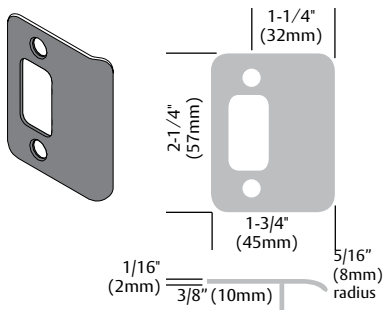
- Furnished standard with 1-1/4" (32mm) curved lip from center of strike screw holes to end of lip
- Lip lengths 7/8" (22mm), 1" (25mm), 1-1/4" (32mm) standard, 1-1/2" (38mm), 1-3/4" (44mm) and 2" (51mm)
- To order strike separately, specify 600 strike x finish x lip length

13- Option: 2-1/4" Full Lip Strike & Latch



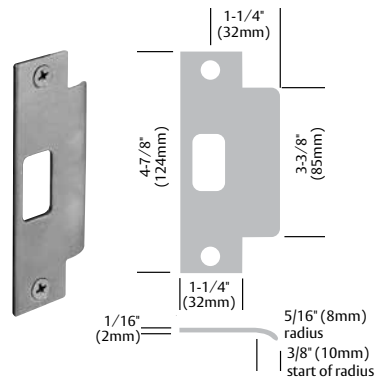
- To order strike separately, specify: 505 x finish
- Adjustable tab to reduce door movement when latch engaged in strike standard
- Latch finishes: 3, 4, 10, 10B, 10BE, 32D

14- Option: 2-1/4" Full Lip Strike



- To order strike separately, specify: 505 x finish
- Adjustable tab to reduce door movement when latch engaged in strike standard

28- Option: 4-7/8" Curved Lip Strike



- Conforms to ANSI standard
- Furnished standard with curved lip 1-1/4" (32mm) from center of strike screw holes to end of lip
- Lip lengths 7/8" (22mm), 1-1/8" (29mm), 1-1/4" (32mm), 1-3/8" (35mm), 1-5/8" (42mm), 1-7/8" (48mm), 2-1/8" (54mm), 2-3/8" (60mm), 2-5/8" (66mm), 2-7/8" (73mm)
- To order strike separately, specify 808 strike x finish x lip length
- Wrought box not provided, order separately as WBS option.

How to Order, Finishes, Packaging, Architectural Specifications

6 Line Knob Lock



How to Order

Specify	Note	Example
Quantity	Number Ordered	1 Qty
*Option(s)	Additional Feature	1 Qty 28-
Lock Function	See Functions	1 Qty 28-6G05
Trim Design	Rose x Knob	1 Qty 28-6G05 OB
Finish	See Finishes	1 Qty 28-6G05 OB 26D
Additional Information	Item/Heading Number, Door Number, Keyset Information	1 Qty 28-6G05 OB 26D x Item 01 x DRL201 x Keyset AA3
Hand	Non-Handed	

* Can choose multiple options

Finishes

Finish	Description	ANSI/BHMA
03	Polished brass, clear coated	605
04	Satin brass, clear coated	606
10	Satin bronze, clear coated	612
10B	Oxidized bronze, oil rubbed	613
10BE	Dark Oxidized Satin Bronze – equivalent	613E
15	Satin Nickel with Clear Coat	619
26	Polished chrome	625
26D	Satin chrome	626
SG	MicroShield® antimicrobial clear powder coat (only available with 15 and 26D finishes)	
Split finishes available. Specify outside finish first		

Suggested Architectural Specifications

2.1 Standard Duty Bored-in Lock

- | | | |
|--|---|---|
| <p>A. All bored knob locks shall be manufactured by SARGENT Manufacturing Company, New Haven, CT.</p> <p>B. Locks shall be certified ANSI A156.2 Series 4000, Grade 2.</p> <p>C. Locks shall be completely reversible.</p> | <p>D. Locks shall be able to fit a standard 2-1/8" (55 mm) bore (161 prep) without the use of through-bolts.</p> <p>E. Locks shall comply with UL10C positive pressure requirements.</p> <p>F. Latch shall be minimum 1/2" (13mm) throw, UL Listed.</p> | <p>G. Locks shall have 2-3/8" (70 mm) backset, standard.</p> <p>H. Locks shall have brass 6-pin cylinder, standard.</p> <p>I. Locks shall have a one year limited warranty.</p> |
|--|---|---|

Packaging

6G05 x OB
Approximately 2 lbs. 10 oz./box (1.2 kg)
10 boxes/case

6 Lobe & Spanner Bit Packs

Part Number	Description
82-3855	6 Lobe Bit Pack 7 Bits (Sizes: T8, T9, T10, T15, T20, T25, T27) Requires 9/32" (7mm) Driver
82-3856	Spanner Bit Pack 5 Bits (Sizes: 6, 8, 10, 12, 14) Requires 1/4" (6mm) Driver

Mechanical Options:

Strike	13-	1/4" radius latch front 2-1/4" x 1" & strike (2-3/8" backset only)
	14-	505 Full Lip Strike
	28-	Strike #808. Lip length 1-1/4". Lip lengths 1-5/8" to 2-7/8" in 1/4" increments only
Backset Options	15-	Drive-in deadlocking latch x 2-3/8" backset and 26D only
	17-	2-3/4" Backset x 2-1/4" x 1" Front
	23-	3-3/4" Backset x 2-1/4" x 1-1/8" Front
	24-	2-3/4" Backset x 2-1/4" x 1-1/8" Front
Security Fasteners	36-	Six lobe security head screws
	37-	Spanner head screws
Finish Protection	SG-	MicroShield® antimicrobial clear powder coat (only available with 15 and 26D finishes)
Box Strike	WBS-	Wrought Box Strike

Cylinder Options:

Conventional Cylinder	-	SARGENT Conventional Cylinders supplied Standard (nomenclature not required)
Degree Key System	DG1-	SARGENT Degree Key System Level 1 (bump resistant with patented keys)
	DG1-21-	Degree Level 1 Construction Master Keying
	DG1-65-	Degree Level 1 Unassembled/Uncombined Core
	DG2-	SARGENT Degree Key System Level 2 (geographically exclusive; bump and pick resistant)
	DG2-21-	Degree Level 2 Construction Master Keying
	DG2-65-	Degree Level 2 Unassembled/Uncombined Core
	DG3-	SARGENT Degree Key System Level 3 (geographically exclusive; UL437 certified; bump and pick resistant)
	DG3-21-	Degree Level 3 Construction Master Keying
Signature Key System	10-	SARGENT Signature Key System
	10-21-	SARGENT Signature Construction Key System (Lost Ball)
xC- Key System	11-	xC- Key System (not available with other Key Systems, unless specified)
	11-21-	xC- Construction Key System (Lost Ball)
Construction Key Systems	21-	SARGENT Lost Ball Construction Keying for Conventional, xC and Signature Series (N/A with 63- or 73-)
	22-	SARGENT Construction Split Key System for Conventional Cylinders (existing systems only) (N/A with 10-, 11-, 63- or 73-)
Bump Resistant	BR-	Bump Resistant Cylinder (available with Conventional & Conventional xC Cylinders only)
Less Cylinder	LC-	Lock supplied less Cylinder
Schlage Keyways	SC-	Schlage C keyway cylinder, 0 bitted
	SE-	Schlage E keyway cylinder, 0 bitted

SARGENT Manufacturing Company
100 Sargent Drive
New Haven, CT 06511 USA
800-727-5477 • www.sargentlock.com

Founded in the early 1800s, SARGENT® is a market leader in locksets, cylinders, door closers, exit devices, electro-mechanical products and access control systems for new construction, renovation, and replacement applications. The company's customer base includes commercial construction, institutional, and industrial markets.

Copyright © 2003, 2004, 2007, 2008, 2009, 2012, 2013, 2015, Sargent Manufacturing Company, an ASSA ABLOY Group company. All rights reserved. Reproduction in whole or in part without the express written permission of Sargent Manufacturing Company is prohibited.

ASSA ABLOY is the global leader in door opening solutions, dedicated to satisfying end-user needs for security, safety and convenience.

90113:E-10/20/15