

Standard Features

The lock is 12 VDC or 24 VDC (following wiring instructions).

Works from 3 directions, front, left side or right side.

Reversible from fail secure to fail safe with the rotation of the solenoid.

Reed switch monitors the door/drawer position.

Micro Switch monitors the position of the latching pin/bolt.

500 lb holding force

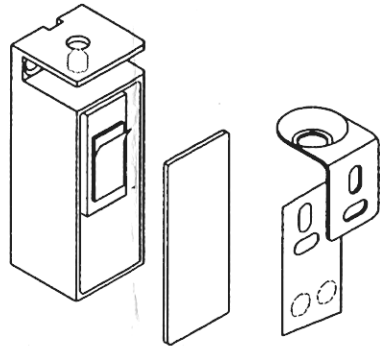
300 mA @ 12VDC

150 mA @ 24VDC

Dimensions: 3 3/16" (h) x 1 1/8" (w) x 1 1/8" (d)

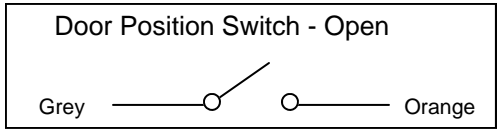
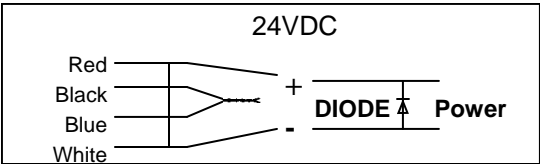
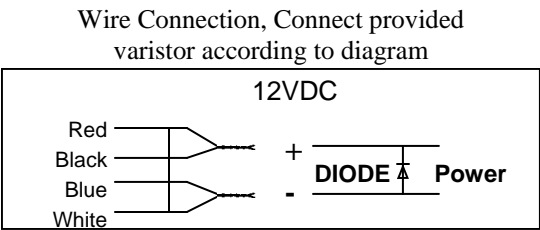
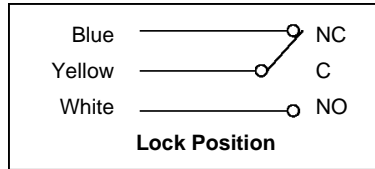
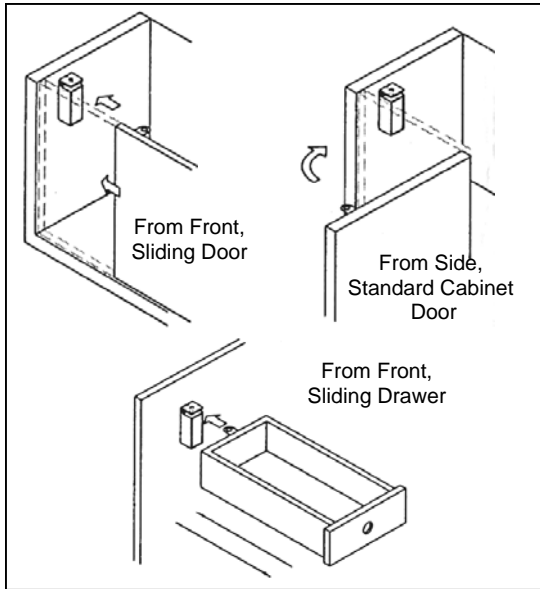
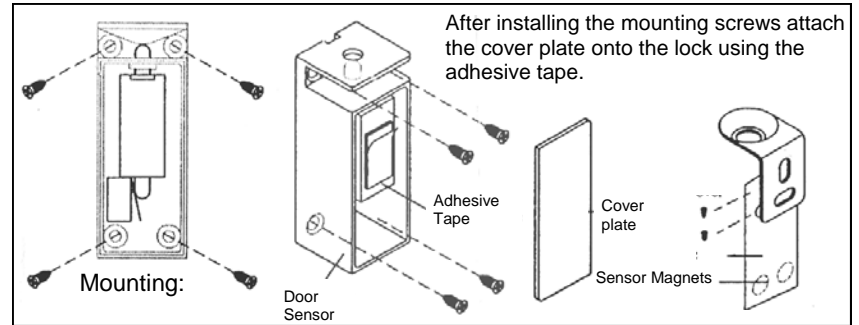
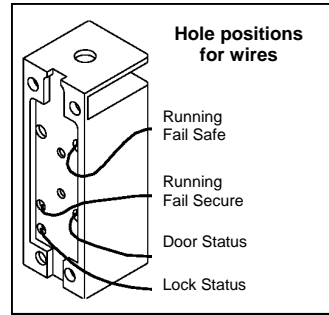
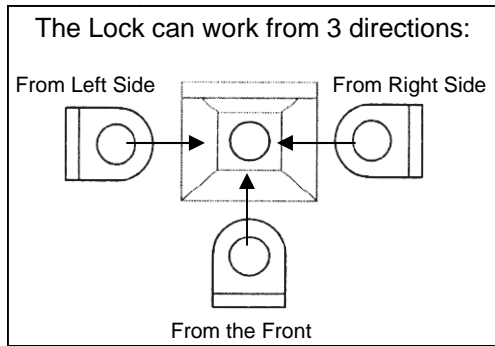
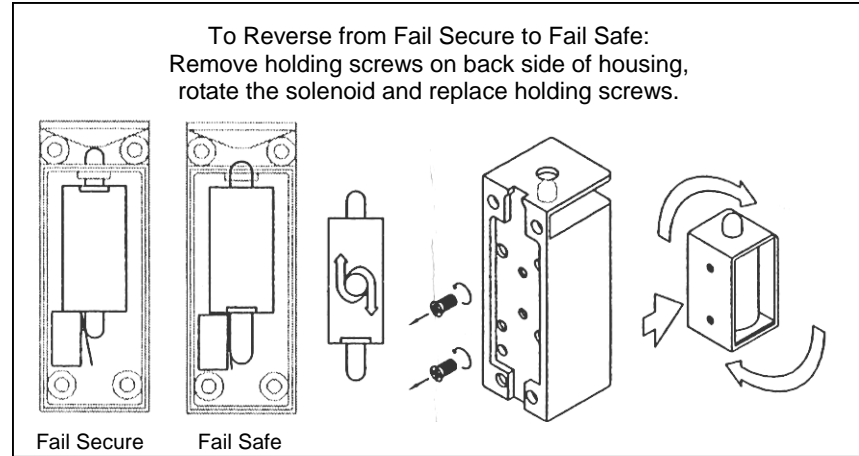
ROFU International Corp
10029 S. Tacoma Way, Suite E-11
Lakewood, WA 98499
800-255-ROFU
www.rofu.com

ROFU 3810 CABINET LOCK



Specifications:

Input: 12 or 24VDC
 Reversible Fail Secure to Fail Safe
 (factory default is Fail Safe)
 Door Status & Lock Status
 500lb holding force
 Current Draw: 300mA @ 12VDC
 150mA @ 24VDC



ROFU International Corp.
 10029 S. Tacoma Way, Suite E-11
 Lakewood, WA 98499
 Ph: 800-255-7638 / 253-922-1828
 Fax: 888-840-7272 / 253-922-1728
 www.rofu.com / email: techhelp@rofu.ws

