

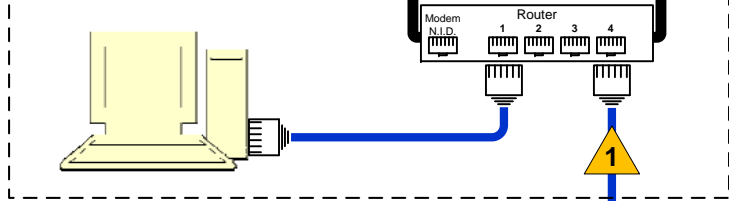
QUICKSTART INSTRUCTIONS FOR ACCESS PLUS NETWORK CONNECTION



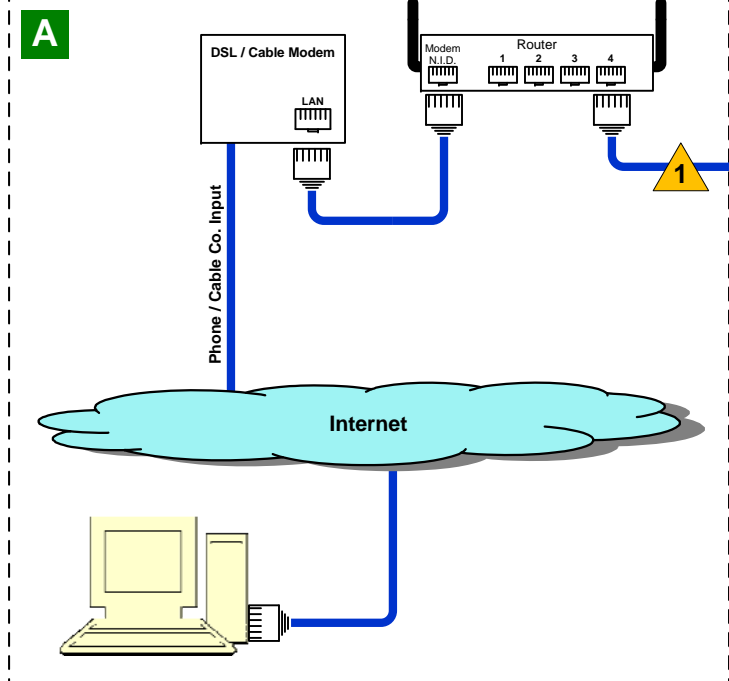
Direct Connection Using a Crossover Cable



Direct Connection Using a Router (LAN)



Internet Connection

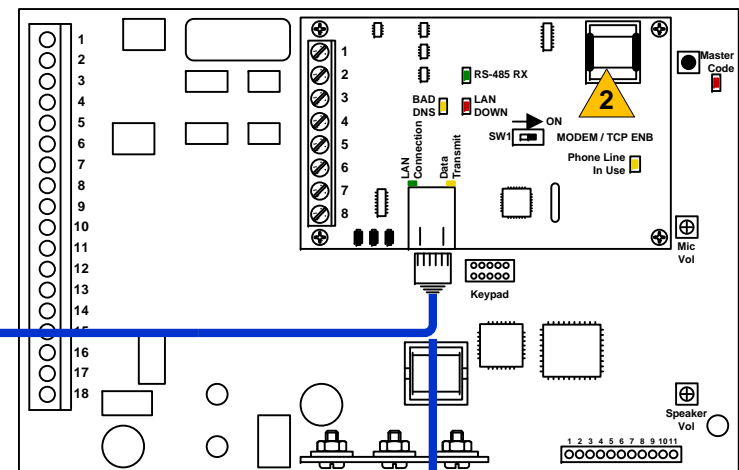


A You can connect to the Access Plus using a static (set) IP address, or by using a dynamic (changing*) IP address with a registered DDNS host name. A static IP address will usually incur additional monthly cost from your internet service provider, while DDNS is typically a small annual fee.

There are many DDNS providers available. You will need to check your router to determine which DDNS service operates with it.

DDNS allows you to create a hostname that points to your home computer or other IP addresses, like your Access Plus system, providing an easy-to-remember URL for quick access. (For example: www.myhome1812.ddns.org).

* As an example, the IP address can be 123.234.111.112 one day, 123.124.45.15 the next.



6

Reboot: If a programming sequence calls for a reboot, follow the steps in #6 below. If you are performing several programming steps that call for a reboot, complete all of those steps first, then perform the system reboot sequence in #6 below.

This programming sequence enables or disables TCP/IP support. It will also cause an automatic reboot of the 1812 two seconds after the programming sequence is completed. Perform this programming step after all other network setup programming sequences have been completed, or whenever an individual network programming step is performed and it calls for a system reboot.

Once the Access Plus system is connected, the **GREEN LED** on the RJ-45 jack on the interface board should light indicating a good wire connection has been established. The **LAN DOWN LED** should go off after a few seconds if all previous programming steps have been completed and programmed successfully.

- 1** Cat5e network cable. Maximum distance is 325 feet (100 meters).
- 2** SW1 (Modem / TCP Enable) must be in the ON position for Modem or Network Connections
- 3** Gateway address **See 4** must be set to 000.000.000.000 if Access Plus system is connected to the PC in this manner.
- 4**
 1. To find your router's IP address (for Windows XP):
 - a. Click - Start > Run. Type cmd in open field then click OK.
 - b. Type at the DOS prompt: **ipconfig /all**
 - c. Press Enter – the result screen (like below) should appear.

```
Windows IP Configuration

Host Name . . . . . DH8MP521
Primary DNS Suffix . . . . .
Node Type . . . . . Hybrid
IP Routing Enabled . . . . . No
WINS Proxy Enabled . . . . . No

Ethernet Adapter Local Area Connection 2:
Connection-specific DNS Suffix . . . . .
Description . . . . . Broadcom 440x 10/100 Integrated Controller
Physical Address . . . . . 00-08-74-B9-C3-27
Dhcp Enabled . . . . . No
IP Address . . . . . 10.1.1.110
Subnet Mask . . . . . 255.255.255.0
Default Gateway . . . . . 192.168.1.1
DNS Servers . . . . . 206.13.29.12
```

Router → This is the router's IP Address

2. If there is less than three digits between the "dots" in the IP address, you will need to add zero's before the number when entering the IP address. For example, to enter the above IP address in step 2 of the Gateway **See 4** programming instructions, the keypad entry is: **1 9 2 * 1 6 8 * 0 0 1 * 0 0 1 ***
3. To test the router / Access Plus connection:
 - a. Click - Start > All Programs > Accessories > Command Prompt
 - b. Type at the DOS prompt: **ping 192.168.1.30**
 - c. Press Enter – the result screen (like below) should appear.

```
Pinging 192.168.1.30:

Reply from 192.168.1.30: bytes=32 time<1ms TTL=255
Reply from 192.168.1.30: bytes=32 time<1ms TTL=255
Reply from 192.168.1.30: bytes=32 time<1ms TTL=255
Reply from 192.168.1.30: bytes=32 time<1ms TTL=255

Ping statistics for 192.168.1.30:
    Packets: Sent = 4, received = 4, Lost = 0 (0% loss)
    Approximate round trip times in milli-seconds:
        Minimum = 0ms, Maximum = 0ms, Average = 0ms
```

If the ping is successful, the router and the Access Plus system are connected and communicating with each other.

1 – Master Code

Blinking LED - power is applied to the Access Plus system and the processor is working.

Steady LED - system is in Master Code programming mode. (Reverts to blinking if master code is not entered within 10-seconds)

1. Press the Master Code push button (the LED will stay on steady).
2. Enter a four digit Master Code number then press *. **_____ * (beep)**

2 – IP Address (reboot required)

1. Press * 51 and enter the Master Code. *** 5 1 _____ (beep)**
2. Enter the IP address. Use the * key to enter the "dot". **_____ * (beep) _____ * (beep) _____ * (beep) _____ * (beep)** (valid value for any 3-digit number is 000 to 255) **Factory setting is: 192.168.001.030**
3. Press 0 # Together to end. **0 # (beeeeeep)**

3 – Sub-net Mask (reboot required)

1. Press * 52 and enter the Master Code. *** 5 2 _____ (beep)**
2. Enter the sub-net mask address (Use the * key to enter the "dot"). **_____ * (beep) _____ * (beep) _____ * (beep) _____ * (beep)** (valid value for any 3-digit number is 000 to 255) **Default value is: 255.255.255.000**
3. Press 0 # Together to end. **0 # (beeeeeep)**

Programming Instructions Installation Manual

Before proceeding, install the Access Plus management software on the PC that will be used for programming the unit. Once the software is installed and the Access Plus system is connected, refer to the software help screens for additional programming instructions.

Be sure SW1 is in the ON position (Modem/TCP ENB) on the interface board.

Perform the "Enable / Disable TCP/IP Support" programming step last, or whenever a change is made to any of the programming functions shown below as this sequence will cause the system to automatically reboot. The default is "disabled" so you will need to change this to "enabled". The system will automatically reboot.

Complete installation and programming instruction manuals for the Access Plus systems are available for free from our tech support website; www.dkaccess.com.

CLICK HERE for www.dkaccess.com

4 – Gateway (router) Address (reboot required)

1. Press * 53 and enter the Master Code. *** 5 3 _____ (beep)**
2. Enter gateway (router) address (Use the * key to enter the "dot"). **_____ * (beep) _____ * (beep) _____ * (beep) _____ * (beep)** (valid value for any 3-digit number is 000 to 255) **Factory setting is: 192.168.001.001**
3. Press 0 # Together to end. **0 # (beeeeeep)**

3 If the Access Plus is connected directly to the PC with a crossover cable, this address MUST be set to 000.000.000.000.

5 – Set the Port Number (reboot required)

1. Press * 56 and enter the Master Code. *** 5 6 _____ (beep)**
2. Enter the port number. **_____ * (beep)** (valid values are 01024 to 65535) **Default value is: 01030**
3. Press 0 # Together to end. **0 # (beeeeeep)**

6 – Enable/Disable TCP/IP Support System Reboot

1. Press * 50 and enter the Master Code. *** 5 0 _____ (beep)**
2. Press 0 * (beep) to disable or press 1 * (beep) to enable. **Default is disabled.**
3. The system will reboot automatically.