

1 Description

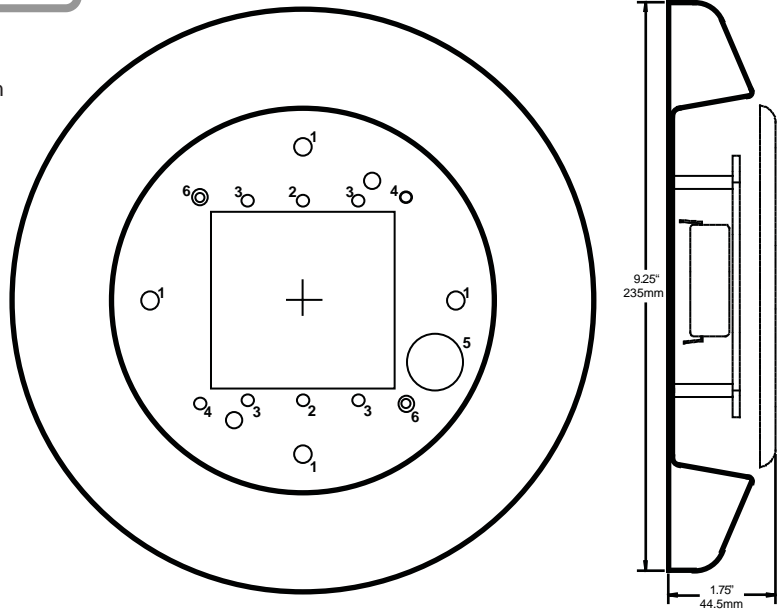
The Escutcheon (8310-876) is designed to provide an attractive mounting box for 6" round pushplates. It is made of durable 304 stainless steel to match LCN's 6" round pushplate. It can be surface-mounted directly to a wall, or attached to a single-gang, double-gang or 4X4 electrical box.

2 Installation

1. Fasten the Escutcheon to the wall surface.
2. Route the power cable to the pushplate switch through the large square hole.
3. Attach the pushplate to the Escutcheon.

KEY HOLES FOR MOUNTING

- 1 Directly to a wall
- 2 Single-gang electrical box
- 3 Double-gang electrical box
- 4 4x4 electrical box
- 5 Power Cable Routing (or Large Square)
- 6 Pushplate (1" screws included w/ pushplate)



3 Precautions



CAUTION

- Shut off all power going to header before attempting any wiring procedures.
- Maintain a clean & safe environment when working in public areas.
- Constantly be aware of pedestrian traffic around the door area.
- Always stop pedestrian traffic through the doorway when performing tests that may result in unexpected reactions by the door.
- ESD electrostatic discharge: Circuit boards are vulnerable to damage by electrostatic discharge. Before handling any board ensure you dissipate your body's charge.
- Always check placement of all wiring before powering up to insure that moving door parts will not catch any wires and cause damage to equipment.
- Ensure compliance with all applicable safety standards (i.e. ANSI A156.10 / A156.19) upon completion of installation.
- DO NOT attempt any internal repair of the sensor. All repairs and/or component replacements must be performed by LCN.
 - Unauthorized disassembly or repair:
 1. May jeopardize personal safety and may expose one to the risk of electrical shock.
 2. May adversely affect the safe and reliable performance of the product will result in a voided product warranty.

4 Company Contact



CAUTION

Do not leave problems unresolved. If a satisfactory solution cannot be achieved after troubleshooting a problem, please contact LCN at 1-800-526-2400. If you must wait for the following workday to call LCN, leave the door inoperable until satisfactory repairs can be made. Never sacrifice the safe operation of the automatic door or gate for an incomplete solution.

For more information, visit www.lcn.ingersollrand.com.

1 Description

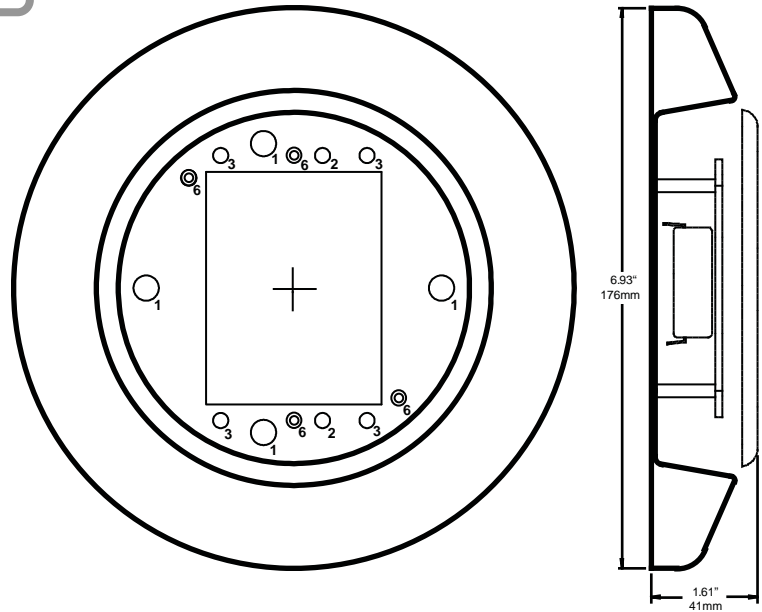
The Escutcheon (8310-874) is designed to provide an attractive mounting box for 4.5" round pushplates. It is made of durable 304 stainless steel to match LCN's 4.5" round pushplate. It can be surface-mounted directly to a wall or attached to a single-gang / double-gang box.

2 Installation

1. Fasten the Escutcheon to the wall surface.
2. Route the power cable to the pushplate switch through the large square hole.
3. Attach the pushplate to the Escutcheon.

KEY HOLES FOR MOUNTING

- 1 Directly to a wall
- 2 Single-gang electrical box
- 3 Double-gang electrical box
- 6 Pushplate (1" screws included w/ pushplate)



3 Precautions



CAUTION

- Shut off all power going to header before attempting any wiring procedures.
- Maintain a clean & safe environment when working in public areas.
- Constantly be aware of pedestrian traffic around the door area.
- Always stop pedestrian traffic through the doorway when performing tests that may result in unexpected reactions by the door.
- ESD electrostatic discharge: Circuit boards are vulnerable to damage by electrostatic discharge. Before handling any board ensure you dissipate your body's charge.
- Always check placement of all wiring before powering up to insure that moving door parts will not catch any wires and cause damage to equipment.
- Ensure compliance with all applicable safety standards (i.e. ANSI A156.10 / A156.19) upon completion of installation.
- DO NOT attempt any internal repair of the sensor. All repairs and/or component replacements must be performed by LCN.
 - Unauthorized disassembly or repair:
 1. May jeopardize personal safety and may expose one to the risk of electrical shock.
 2. May adversely affect the safe and reliable performance of the product will result in a voided product warranty.

4 Company Contact



CAUTION

Do not leave problems unresolved. If a satisfactory solution cannot be achieved after troubleshooting a problem, please contact LCN at 1-800-526-2400. If you must wait for the following workday to call LCN, leave the door inoperable until satisfactory repairs can be made. Never sacrifice the safe operation of the automatic door or gate for an incomplete solution.

For more information, visit www.lcn.ingersollrand.com.