



# 8800 Series

ANSI/BHMA Grade 1 Certified Mortise Locks  
Parts Manual



 **WARNING**

This product can expose you to lead which is known to the state of California to cause cancer and birth defects or other reproductive harm. For more information go to [www.P65warnings.ca.gov](http://www.P65warnings.ca.gov).

# Table of Contents



## Contents

How to Order Parts.....	2
Finish Chart .....	2
Lockbody Assemblies (by Function) .....	3-11
Electrified Lockbody Assemblies (by Function).....	12-15
Armor Fronts and Strikes .....	16
Trim Assemblies .....	17-26
Lever and Knob Part Numbers.....	27
Escutcheon Plates.....	28
Spindles.....	29
Indicator Parts (V Series).....	30
Handing .....	31
Trouble Shooting.....	31

## How To Order Parts

To order parts, use the appropriate part number and specify finish if necessary.

For example, to order 10 curved lip strikes for any function:

Quantity	Part Number	Description
10	50-8800-2023-FIN	Strike, Curved Lip

To order 5 lockbody assemblies for a Passage or Closet Latch function (8801FL):

Quantity	Model Number	Description
5	LBDY8801FL	Lockbody Assembly , Including Armor Front and Strike

For assistance, contact your authorized Yale distributor, sales agency or visit our website at [www.yalelocks.com](http://www.yalelocks.com).

## Finish Chart

ANSI/BHMA Code	Finish Description
605	Bright Brass, Clear Coated
606	Satin Brass, Clear Coated
611	Bright Bronze, Clear Coated
612	Satin Bronze, Clear Coated
613	Dark Oxidized Satin Bronze, Oil Rubbed*
613E	Dark Oxidized Satin Bronze - equivalent
618	Bright Nickel Plated, Clear Coated
619	Satin Nickel Plated, Clear Coated

ANSI/BHMA Code	Finish Description
625	Bright Chrome Plated
626	Satin Chrome Plated
629	Bright Stainless Steel
630	Satin Stainless Steel
693	Black Painted
722	Black Oxidized Bronze, Oil Rubbed*
BSP	Black Suede Powder Coat
WSP	White Suede Powder Coat

### For "X" in part number, specify finish required:

- For 605, 606, 611, 612, 613\*, 613E, 618, 619, 625, 626, 693, 722\*, BSP or WSP substitute "X" with "2"
- For 629 or 630 substitute "X" with "7"

Example = 50-8847-7219 would be an armor front used for an 8847 mortise lock in 630 finish.

### Finish Care

8800 Series Mortise Locks are designed to provide the highest standard of product quality and performance. Care should be taken to ensure a long-lasting finish. When cleaning is required, use a soft damp cloth. Using lacquer thinners, caustic soaps, abrasive cleaners or polishes could damage the coating and result in tarnishing.

### Maintenance

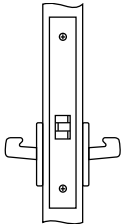
Yale® 8800 Series Mortise Locks are manufactured to be maintenance-free under normal operating conditions and environments. Subjection to extremely heavy traffic and/or particularly dusty and dirty environmental conditions, however, may eventually cause unsatisfactory operation due to slow-moving parts or sticking cylinders. In this case, it may be necessary to clean and re-lubricate the lockset to maintain optimum performance. To clean the lockset mechanism, use a penetrating or solvent type lubricant to loosen sticking components, then lubricate with lithium grease. To free sticking or jammed cylinders, lubricate with graphite or a non-oily lubricant (such as Lock-EZE). Do not use petroleum-based lubricants in the cylinder keyway.

\*613 and 722 finishes available by Special Product Application Request only. Please contact customer service for more information.

# Lockbody Assemblies



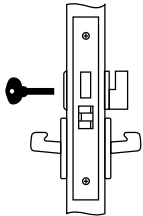
8801



Passage or Closet Latch  
F01

Model Number:*	Used with:
LBDY8801	Knobs
LBDY8801FL	Standard Levers
LBDYSL8801	SL Levers
LBDY8801FL	Reflections® Levers

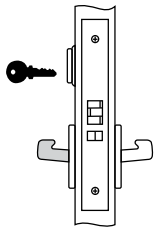
8802



Privacy, Bedroom  
or Bath Lock  
F19

Model Number:*	Used with:
LBDY8802	Knobs
LBDY8802FL	Standard Levers
LBDYSL8802	SL Levers
LBDY8802FL	Reflections® Levers

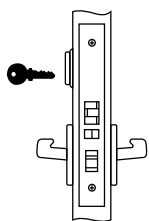
8805



Storeroom or  
Closet Lock  
F07

Model Number:*	Used with:
LBDY8805	Knobs
LBDY8805FL	Standard Levers
LBDYSL8805	SL Levers
LBDY8805FL	Reflections® Levers

8807



Entry Lock  
F04

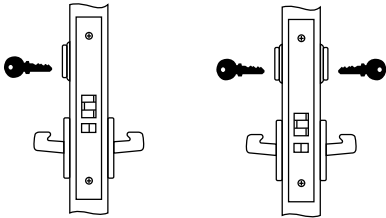
Model Number:*	Used with:
LBDY8807	Knobs
LBDY8807FL	Standard Levers
LBDYSL8807	SL Levers
LBDY8807FL	Reflections® Levers

**\* Specify finish. Includes armor front and strike pack.**

# Lockbody Assemblies



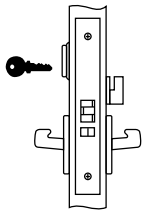
## 8808/8808-2



Classroom Lock F05    Intruder Latchbolt Lock F32

Model Number:*	Used with:
LBDY8808	Knobs
LBDY8808FL	Standard Levers
LBDYSL8808	SL Levers
LBDY8808FL	Reflections® Levers

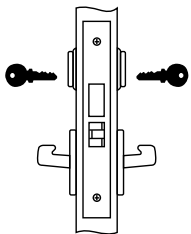
## 8809



Classroom or Office Lock

Model Number:*	Used with:
LBDY8809	Knobs
LBDY8809FL	Standard Levers
LBDYSL8809	SL Levers
LBDY8809FL	Reflections® Levers

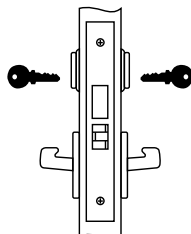
## 8811-2



Intruder Deadbolt Lock F33

Model Number:*	Used with:
LBDY8811	Knobs
LBDY8811FL	Standard Levers
LBDYSL8811	SL Levers
LBDY8811FL	Reflections® Levers

## 8812-2



Intruder Deadbolt Lock F34

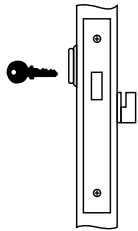
Model Number:*	Used with:
LBDY8812	Knobs
LBDY8812FL	Standard Levers
LBDYSL8812	SL Levers
LBDY8812FL	Reflections® Levers

\* Specify finish. Includes armor front and strike pack.

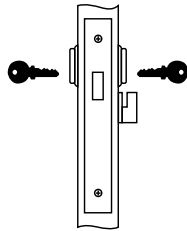
# Lockbody Assemblies



## 8813ST/8813ST-2



Classroom Deadlock  
F29

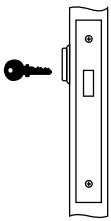


Classroom Deadlock

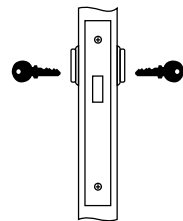
**Model Number:\***

LBDY8813

## 8814/8814-2



Deadlock  
F18

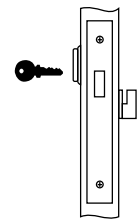


Deadlock  
F16

**Model Number:\***

LBDY8814

## 8815

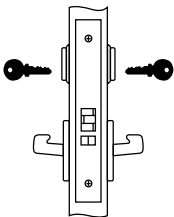


Deadlock  
F17

**Model Number:\***

LBDY8815

## 8817-2



Apartment, Exit or  
Public Toilet Lock  
F09

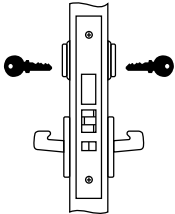
Model Number:*	Used with:
LBDY8817	Knobs
LBDY8817FL	Standard Levers
LBDYSL8817	SL Levers
LBDY8817FL	Reflections® Levers

**\* Specify finish. Includes armor front and strike pack.**

# Lockbody Assemblies



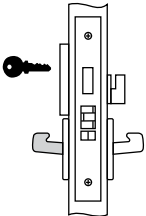
8818-2



Classroom Security  
Intruder Lock

Model Number:*	Used with:
LBDY8818	Knobs
LBDY8818FL	Standard Levers
LBDYSL8818	SL Levers
LBDY8818FL	Reflections® Levers

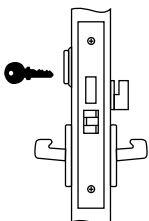
8820



Hotel Guest Lock  
F15

Model Number:*	Used with:
LBDY8820	Knobs
LBDY8820FL	Standard Levers
LBDYSL8820	SL Levers
LBDY8820FL	Reflections® Levers

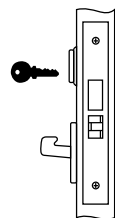
8822



Dormitory or Exit Lock  
F13

Model Number:*	Used with:
LBDY8822	Knobs
LBDY8822FL	Standard Levers
LBDYSL8822	SL Levers
LBDY8822FL	Reflections® Levers

8823



Storeroom Lock

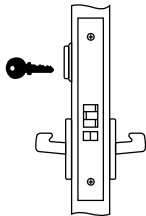
Model Number:*	Used with:
LBDY8823	Knob
LBDY8823FL	Standard Lever
LBDYSL8823	SL Lever
LBDY8823FL	Reflections® Levers

\* Specify finish. Includes armor front and strike pack.

# Lockbody Assemblies



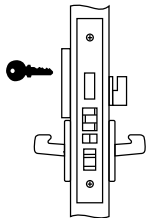
8824



Holdback Lock  
F06

Model Number:*	Used with:
LBDY8824	Knobs
LBDY8824FL	Standard Levers
LBDYSL8824	SL Levers
LBDY8824FL	Reflections® Levers

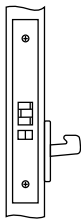
8827



Hotel/Motel Lock

Model Number:*	Used with:
LBDY8827	Knobs
LBDY8827FL	Standard Levers
LBDYSL8827	SL Levers
LBDY8827FL	Reflections® Levers

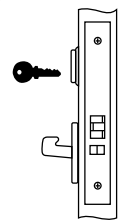
8828



Exit or Communicating Lock  
F31

Model Number:*	Used with:
LBDY8828	Knob
LBDY8828FL	Standard Lever
LBDYSL8828	SL Lever
LBDY8828FL	Reflections® Levers

8829



Closet Lock

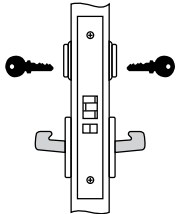
Model Number:*	Used with:
LBDY8829	Knob
LBDY8829FL	Standard Lever
LBDYSL8829	SL Lever
LBDY8829FL	Reflections® Levers

\* Specify finish. Includes armor front and strike pack.

# Lockbody Assemblies



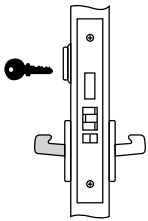
8830-2



Asylum or Institutional Lock  
F30

Model Number:*	Used with:
LBDY8830	Knobs
LBDY8830FL	Standard Levers
LBDYSL8830	SL Levers
LBDY8830FL	Reflections® Levers

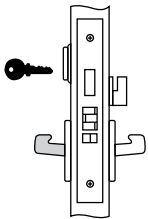
8831



Detention Lock

Model Number:*	Used with:
LBDY8831	Knobs
LBDY8831FL	Standard Levers
LBDYSL8831	SL Levers
LBDY8831FL	Reflections® Levers

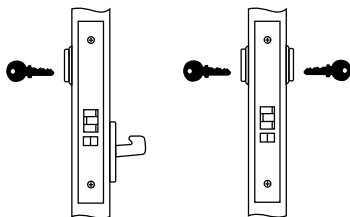
8832



Hotel/Motel Lock

Model Number:*	Used with:
LBDY8832	Knobs
LBDY8832FL	Standard Levers
LBDYSL8832	SL Levers
LBDY8832FL	Reflections® Levers

8833/8833-2



Exit Lock

All Purpose Lock

Model Number:*	Used with:
LBDY8833	Knob
LBDY8833FL	Standard Lever
LBDYSL8833	SL Lever
LBDY8833FL	Reflections® Levers

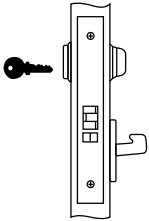
\* Specify finish. Includes armor front and strike pack.



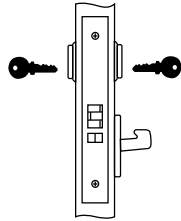
# Lockbody Assemblies



## 8834/8834-2



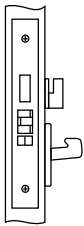
All Purpose Lock



All Purpose Lock

Model Number:*	Used with:
LBDY8834	Knob
LBDY8834FL	Standard Lever
LBDYSL8834	SL Lever
LBDY8834FL	Reflections® Levers

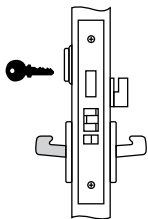
## 8835



Exit Lock

Model Number:*	Used with:
LBDY8835	Knob
LBDY8835FL	Standard Lever
LBDYSL8835	SL Lever
LBDY8835FL	Reflections® Levers

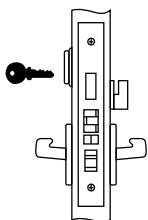
## 8840



Storeroom Deadbolt

Model Number:*	Used with:
LBDY8840	Knobs
LBDY8840FL	Standard Levers
LBDYSL8840	SL Levers
LBDY8840FL	Reflections® Levers

## 8847



Apartment Corridor Door Lock  
F20

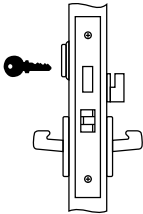
Model Number:*	Used with:
LBDY8847	Knobs
LBDY8847FL	Standard Levers
LBDYSL8847	SL Levers
LBDY8847FL	Reflections® Levers

\* Specify finish. Includes armor front and strike pack.

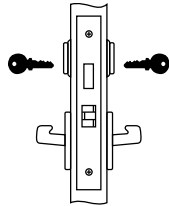
# Lockbody Assemblies



## 8860/8860-2



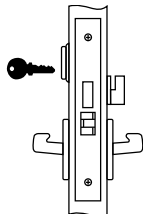
Room Door Lock  
F21



Store Door Lock  
F14

Model Number:*	Used with:
LBDY8860	Knobs
LBDY8860FL	Standard Levers
LBDYSL8860	SL Levers
LBDY8860FL	Reflections® Levers

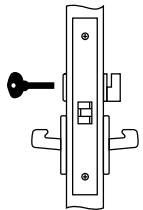
## 8861



Dormitory or  
Storeroom Lock

Model Number:*	Used with:
LBDY8861	Knobs
LBDY8861FL	Standard Levers
LBDYSL8861	SL Levers
LBDY8861FL	Reflections® Levers

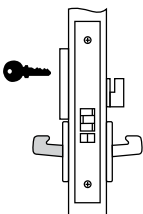
## 8862



Privacy, Bedroom or  
Bath Lock  
F22

Model Number:*	Used with:
LBDY8862	Knobs
LBDY8862FL	Standard Levers
LBDYSL8862	SL Levers
LBDY8862FL	Reflections® Levers

## 8864



Bathroom Lock  
with Indicator

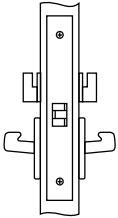
Model Number:*	Used with:
LBDY8864	Knobs
LBDY8864FL	Standard Levers
LBDYSL8864	SL Levers
LBDY8864FL	Reflections® Levers

\* Specify finish. Includes armor front and strike pack.

# Lockbody Assemblies



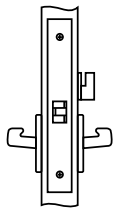
8865



Bathroom Lock

Model Number:*	Used with:
LBDY8865	Knob
LBDY8865FL	Standard Lever
LBDYSL8865	SL Lever
LBDY8865FL	Reflections® Levers

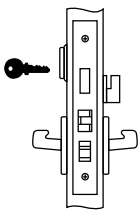
8866



Passage Lock with Indicator

Model Number:*	Used with:
LBDY8866	Knobs
LBDY8866FL	Standard and Reflections® Levers

8867



Dormitory or Exit Lock  
F12

Model Number:*	Used with:
LBDY8867	Knobs
LBDY8867FL	Standard Levers
LBDYSL8867	SL Levers
LBDY8867FL	Reflections® Levers

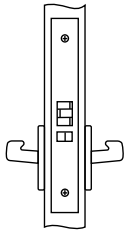
**\* Specify finish. Includes armor front and strike pack.**

# Lockbody Assemblies - Electrified



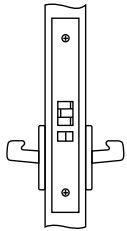
## Fail Safe

8880



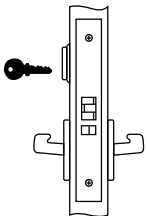
Model Number:*	Used with:
LBDY8880	Knobs
LBDY8880FL	Standard Levers
LBDY8880FL	Reflections® Levers

8884



Model Number:*	Used with:
LBDY8884	Knobs
LBDY8884FL	Standard Levers
LBDY8884FL	Reflections® Levers

8890



Model Number:*	Used with:
LBDY8890	Knobs
LBDY8890FL	Standard Levers
LBDYSL8890	SL Levers
LBDY8890FL	Reflections® Levers

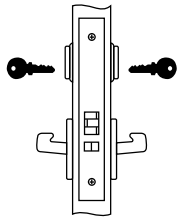
**\*Specify finish, voltage and options. Includes armor front and strike pack.**

# Lockbody Assemblies - Electrified



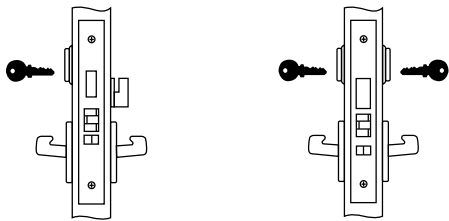
## Fail Safe

8894-2



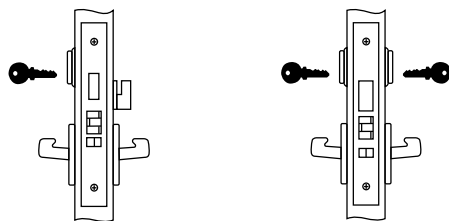
Model Number:*	Used with:
LBDY8894	Knobs
LBDY8894FL	Standard Levers
LBDY8894FL	Reflections® Levers

8896/8896-2



Model Number:*	Used with:
LBDY8896	Knobs
LBDY8896FL	Standard Levers
LBDY8896FL	Reflections® Levers

8898/8898-2



Model Number:*	Used with:
LBDY8898	Knobs
LBDY8898FL	Standard Levers
LBDY8898FL	Reflections® Levers

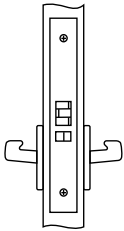
**\*Specify finish, voltage and options. Includes armor front and strike pack.**



# Lockbody Assemblies - Electrified

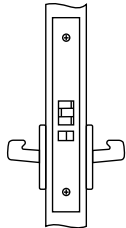
## Fail Secure

8881



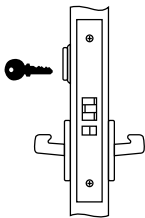
Model Number:*	Used with:
LBDY8881	Knobs
LBDY8881FL	Standard Levers
LBDY8881FL	Reflections® Levers

8885



Model Number:*	Used with:
LBDY8885	Knobs
LBDY8885FL	Standard Levers
LBDY8885FL	Reflections® Levers

8891



Model Number:*	Used with:
LBDY8891	Knobs
LBDY8891FL	Standard Levers
LBDY8891FL	Reflections® Levers

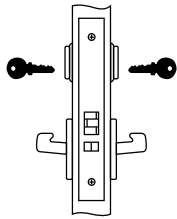
**\*Specify finish, voltage and options. Includes armor front and strike pack.**

# Lockbody Assemblies - Electrified



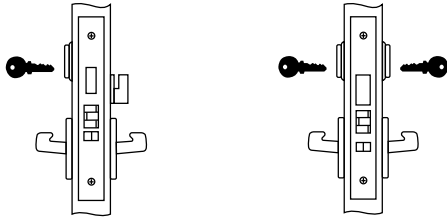
## Fail Secure

8895-2



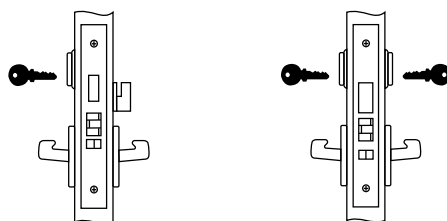
Model Number:*	Used with:
LBDY8895	Knobs
LBDY8895FL	Standard Levers
LBDY8895FL	Reflections® Levers

8897/8897-2



Model Number:*	Used with:
LBDY8897	Knobs
LBDY8897FL	Standard Levers
LBDY8897FL	Reflections® Levers

8899/8899-2



Model Number:*	Used with:
LBDY8899	Knobs
LBDY8899FL	Standard Levers
LBDY8899FL	Reflections® Levers

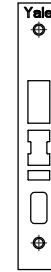
**\*Specify finish, voltage and options. Includes armor front and strike pack.**

# Armor Fronts and Strikes



## Armor Fronts

Part Number Shipped Between March 2012 and August 2014 (Available as inventory allows)	Part Number Shipped After August 2014	Lock Function/Description
50-8801-X119	50-8801-X219	8801, 8862, 8865, 8866
50-8802-X119	50-8802-X219	8802, 8811, 8822, 8823, 8860, 8861
50-8805-X119	50-8805-X219	8805, 8808, 8809, 8817, 8824, 8828, 8829, 8830, 8833, 8834, 8834-2, 8864, 8880, 8881, 8884, 8885, 8890, 8891, 8894-2, 8895-2
50-8807-X119	50-8807-X219	8807
50-8813-X119	50-8813-X219	8813, 8814, 8815
50-8820-X119	50-8820-X219	8812, 8818, 8820, 8831, 8832, 8835, 8840, 8896, 8896-2, 8897, 8897-2, 8898, 8898-2, 8899, 8899-2
50-8847-X119	50-8847-X219	8827, 8847
50-8867-X119	50-8867-X219	8867
81-00X2-0404	81-00X2-0404	Armor Front Screw
N/A	50-8870-X020	8870
N/A	50-8871-X020	8871 RH
N/A	50-8871-X021	8871 LH
N/A	50-8872-X020	8872 RH
N/A	50-8872-X021	8872 LH



Armor Front Shipped Between March 2012 and August 2014

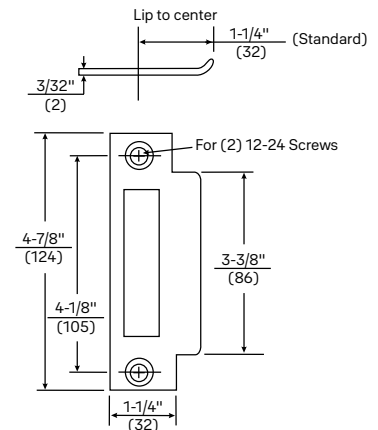


Armor Front Shipped After August 2014

## Strikes

Part Number	Description
50-8800-X023-FIN	1-1/4" Curved Lip (standard)
50-8800-X022-FIN	1-1/8" Curved Lip
50-8800-X065-FIN	1-3/8" Curved Lip
50-8800-X024-FIN	1-1/2" Curved Lip
50-8800-X066-FIN	1-5/8" Curved Lip
50-8800-X025-FIN	1-3/4" Curved Lip
50-8800-X067-FIN	1-7/8" Curved Lip
50-8800-X026-FIN	2" Curved Lip
50-8800-X068-FIN	2-1/8" Curved Lip

Part Number	Description
50-8800-X027-FIN	2-1/4" Curved Lip
50-2816-X001-FIN	7/8" Flat Lip
50-2816-X002-FIN	1" Flat Lip
50-2816-X003-FIN	1-1/8" Flat Lip
50-2816-X004-FIN	1-1/4" Flat Lip
50-2816-X005-FIN	1-1/2" Flat Lip
50-2816-X006-FIN	1-3/4" Flat Lip
50-2816-X007-FIN	2" Flat Lip
50-2816-X008-FIN	2-1/4" Flat Lip
50-2816-X009-FIN	2-1/2" Flat Lip



For "X" in part number, specify finish required:

- For 605, 606, 611, 612, 613, 618, 619, 625, 626, 693, 722, BSP or WSP substitute "X" with "2"
- For 629 or 630 substitute "X" with "7"

Example = 50-8847-7219 would be used for an 8847 mortise lock in 630 finish.

## Armor Front And Strike Packs

Part Number Used with Product Shipped Between March 2012 and August 2014 (Available as inventory allows)	Part Number Used with Product Shipped After August 2014	Lock Function
50-0010-8801-FIN	50-0020-8801-FIN	8801, 8862, 8865, 8866
50-0010-8802-FIN	50-0020-8802-FIN	8802, 8811, 8822, 8823, 8860, 8861
50-0010-8805-FIN	50-0020-8805-FIN	8805, 8808, 8809, 8817, 8824, 8828, 8829, 8830, 8833, 8834, 8834-2, 8864, 8880, 8881, 8884, 8885, 8890, 8891, 8894-2, 8895-2
50-0010-8807-FIN	50-0020-8807-FIN	8807
50-0010-8813-FIN	50-0020-8813-FIN	8813, 8814, 8815
50-0010-8820-FIN	50-0020-8820-FIN	8812, 8818, 8820, 8831, 8832, 8835, 8840, 8896, 8896-2, 8897, 8897-2, 8898, 8898-2, 8899, 8899-2
50-0010-8847-FIN	50-0020-8847-FIN	8827, 8847
50-0010-8867-FIN	50-0020-8867-FIN	8867



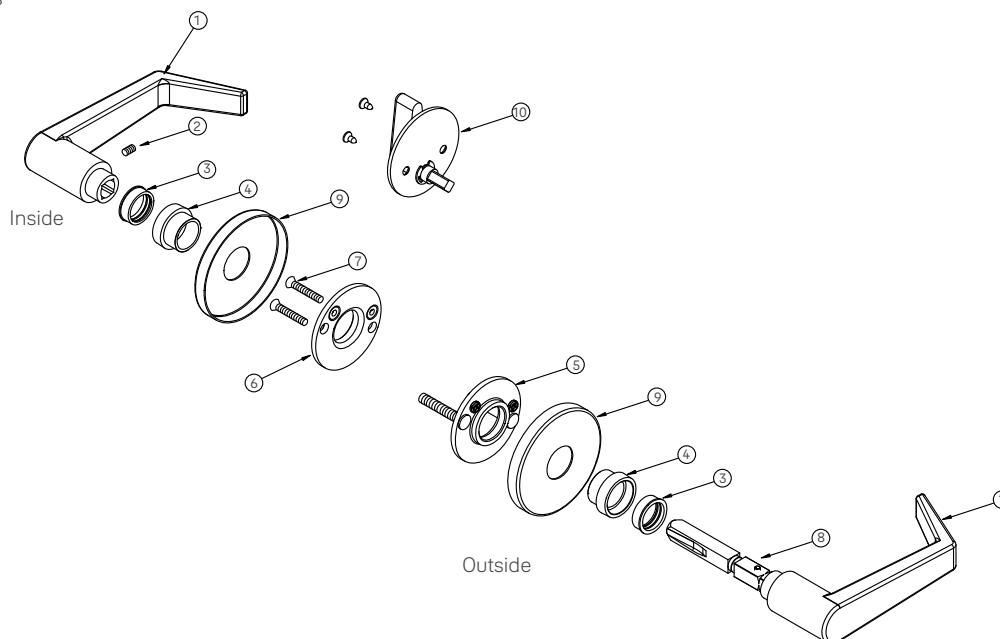
# Trim: Standard Lever/Knob And Reflections® Lever With Rose



For standard lever/knobs shipped after February 2012.  
For Reflections® levers shipped after October 2011.

Item	Part Number	Description	Quantity
1	See Page 27	Levers/Knobs	2
2	81-6619-2896-999	Set Screw	1
3	10-0086-9038-999	Nylon Bushing	1
4	10-0502-2004-FIN	Rose Thimble Adapter for Standard Trim	2
5	50-0506-0902-048	Outside Mounting Plate Assembly	1
6	50-0505-0902-048	Inside Mounting Plate Assembly	1
7	81-0611-0420-999	Mounting Screw (1-3/4" door) Std.	2
7	81-0013-0424-048	Mounting Screw (2" - 2-1/4" door)	2
7	81-0013-0428-999	Mounting Screw (2-1/4" - 2-3/4" door)	2
8	50-1178-0001-048	Spindle Assembly (1-3/4" door) Std.	1
8	50-1178-0002-048	Spindle Assembly (2" - 2-1/4" door)	1
8	50-1178-0003-048	Spindle Assembly (2-1/4" - 3-1/4" door)	1
9	10-0501-2002-FIN	CO Rose Scalp (Outside and Inside)	2
10	50-1824-0014-FIN	Thumbturn and Plate Assembly (1-3/4" to 2-1/4" door)	1
10	50-1824-0021-FIN	Thumbturn and Plate Assembly (2-1/4" to 3-1/4" door)	1
Not Shown	50-8403-x001-FIN*	R3 Rose Scalp (Outside or Inside)	2
Not Shown	50-8404-x001-FIN*	R4 Rose Scalp (Outside or Inside)	2
Not Shown	50-8405-x001-FIN*	R5 Rose Scalp (Outside or Inside)	2
Not Shown	50-8406-x001-FIN*	R6 Rose Scalp (Outside or Inside)	2
Not Shown	50-8407-x001-FIN*	R7 Rose Scalp (Outside or Inside)	2
Not Shown	50-8408-x001-FIN*	R8 Rose Scalp (Outside or Inside)	2
Not Shown	99-9999-3979-023	Spindle Pin	1
Not Shown	50-1198-0007-048	Hook Spindle for Single Sided Trim	1
Not Shown	50-1824-0030-FIN	Designer Thumbturn Assembly (1-3/4" door)	1
Not Shown	50-1824-1125-048	Designer Thumbturn Mounting Plate	1
Not Shown	81-9400-0041-033	Designer Thumbturn Screw Pack	1
Not Shown	50-4602-0037-FIN	Designer Coin Turn	1

\* = X in 3rd set of numbers is the base material designation  
2 = Brass  
7 = Steel



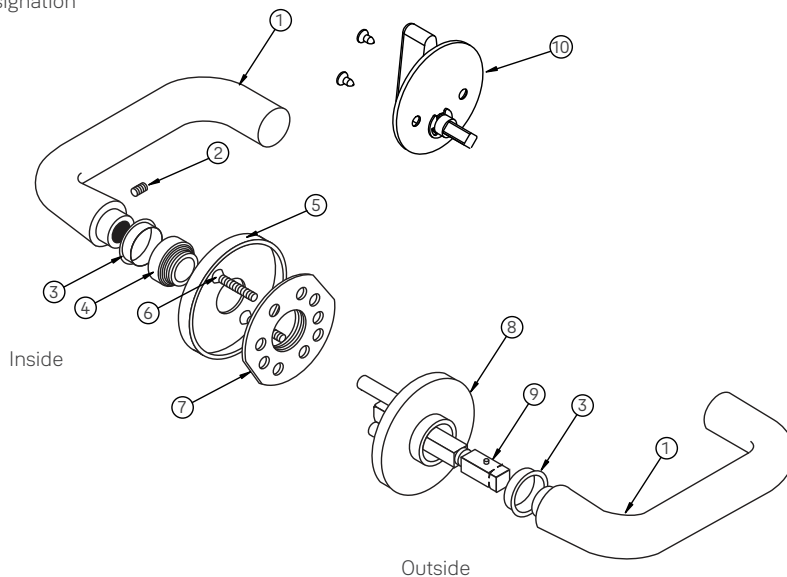
# Trim: Standard Lever And Knob With Rose



For products shipped prior to February 2012.

Item	Part Number	Description	Quantity
1	See Page 27	Levers/Knobs	2
2	81-6619-2896-999	Set Screw	1
3	10-0086-9038-999	Nylon Bushing	2
4	10-0501-x003-FIN*	Inside Rose Adaptor	1
5	10-0501-x001-FIN*	Inside Rose Scalp	1
6	81-0611-0420-048	Mounting Screw (1-3/4" door) Std.	2
6	81-0013-0424-048	Mounting Screw (2" - 2-1/4" door)	2
6	81-0013-0428-999	Mounting Screw (2-1/4" - 2-3/4" door)	2
7	50-0505-1001-048	Inside Mounting Plate	1
8	50-0506-0010-FIN	Outside Rose Assembly	1
9	50-1178-0001-048	Spindle Assembly (1-3/4" door) Std.	1
9	50-1178-0002-048	Spindle Assembly (2"-2-1/4" door)	1
9	50-1178-0003-048	Spindle Assembly (2-1/4" - 3-1/4" door)	1
10	50-1824-0014-FIN	Thumbturn and Plate Assembly (1-3/4" to 2-1/4" door)	1
10	50-1824-0021-FIN	Thumbturn and Plate Assembly (2-1/4" to 3-1/4" door)	1
Not Shown	99-9999-3979-023	Spindle Pin	1
Not Shown	10-0086-9037-999	R1/R2 Nylon Bushing	2
Not Shown	10-0087-2145-000	R1/R2 Inside Rose Adaptor	1
Not Shown	50-0505-1001-048	R1/R2 Inside Rose Support	1
Not Shown	50-0505-2023-FIN	R1 Designer Rose Scalp	1
Not Shown	50-0505-2024-FIN	R2 Designer Rose Scalp	1
Not Shown	50-8700-0016-048	R1/R2 Outside Rose Support Assembly	1
Not Shown	81-9400-0049-048	R1/R2 Through Bolt Screw Pack	1
Not Shown	50-4602-0037-FIN	Designer Emergency Release	1
Not Shown	50-1824-0030-FIN	Designer Thumbturn Assembly (1-3/4" door)	1
Not Shown	50-1824-1125-048	Designer Thumbturn Mounting Plate	1
Not Shown	81-9400-0041-033	Designer Thumbturn Screw Pack	1

\* = X in 3rd set of numbers is the base material designation  
 2 = Brass  
 7 = Steel

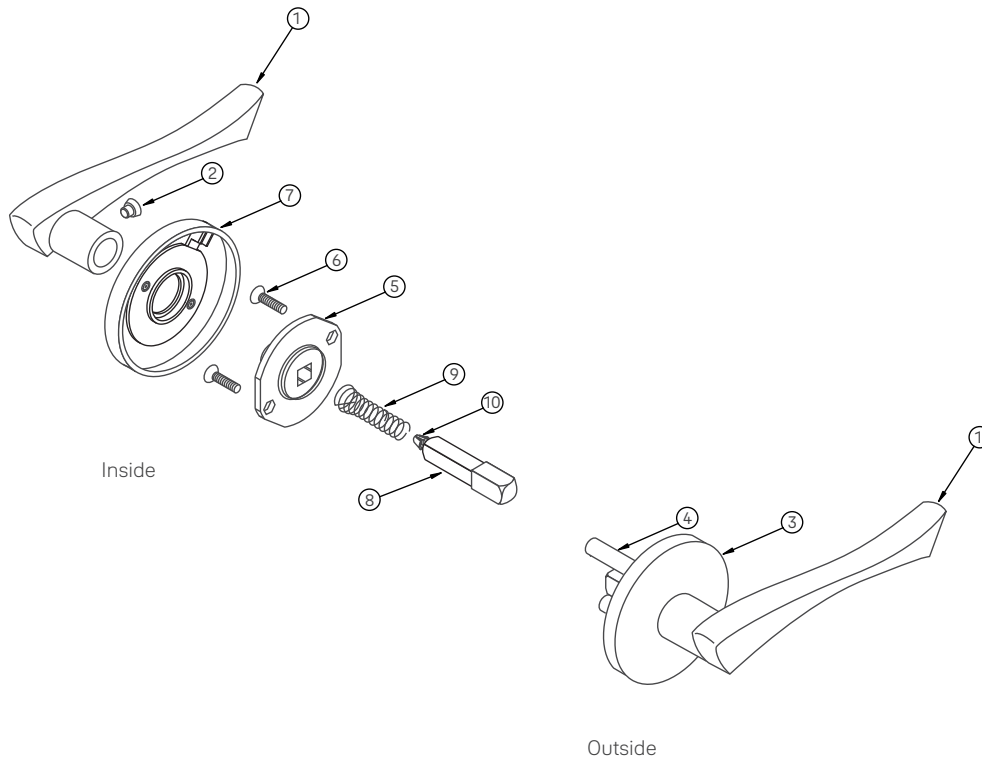


# Trim: Reflections<sup>®</sup> Lever With Rose



For products shipped prior to October 2011.

Item	Part Number	Description	Quantity
1	See Page 27	Levers	2
2	Not Available	Set Screw	1
3	Not Available	Outside Mounting Plate Assembly	1
4	Not Available	Outside Mounting Post	2
5	Not Available	Inside Mounting Plate Assembly	1
6	Not Available	Mounting Screw (1-3/4" - 2-1/4" door)	2
7	Not Available	R3 Rose Assembly	2
Not Shown	Not Available	R4 Rose Assembly	2
Not Shown	Not Available	R5 Rose Assembly	2
Not Shown	Not Available	R6 Rose Assembly	2
Not Shown	Not Available	R7 Rose Assembly	2
Not Shown	Not Available	R8 Rose Assembly	2
8	Not Available	Spindle	2
9	Not Available	Spindle Spring	2
10	Not Available	Spindle Anchor	2
Not Shown	Not Available	Designer Thumbturn Assembly (1-3/4" door)	1
Not Shown	Not Available	Thumbturn Mounting Plate	1
Not Shown	Not Available	Thumbturn Screw Pack	1

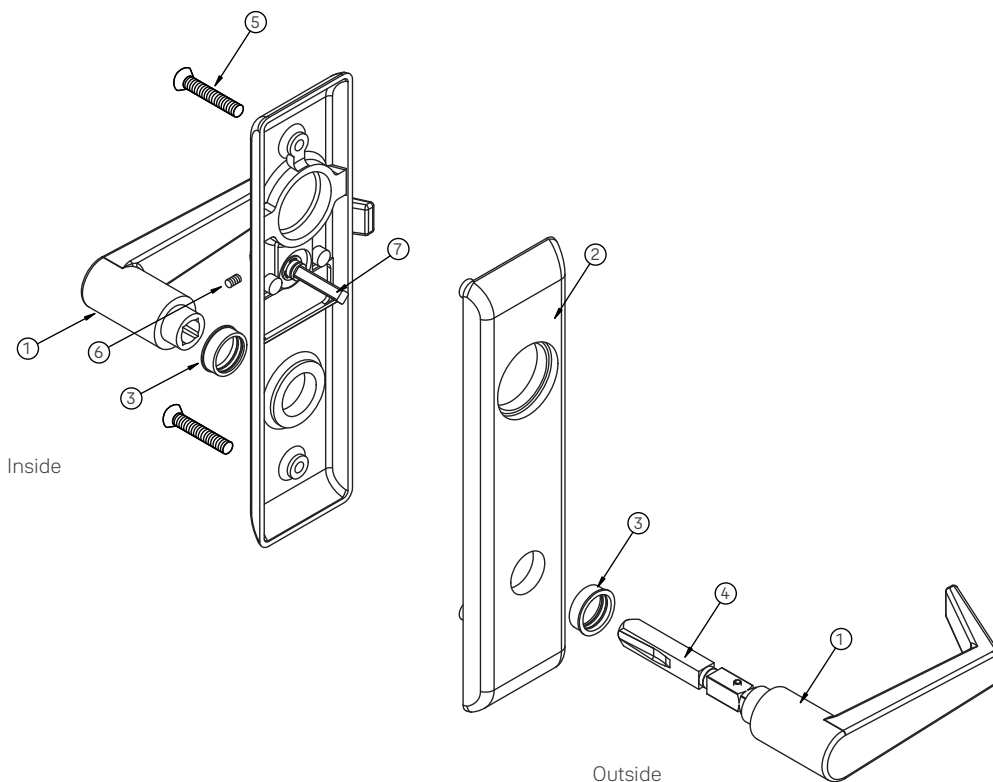


# Trim: Standard Lever/Knob And Reflections® Lever With Escutcheon



For all standard lever/knobs with escutcheon.  
 For Reflections® levers shipped after October 1, 2011.

Item	Part Number	Description	Quantity
1	See Page 27	Levers/Knobs	2
2	See Page 28	Escutcheon Plates	2
3	10-0086-9038-999	Nylon Bushing	2
4	50-1178-0001-048	Spindle Assembly (1-3/4" door)	1
4	50-1178-0002-048	Spindle Assembly (2" - 2-1/4" door)	1
4	50-1178-0003-048	Spindle Assembly (3" - 3-1/4" door)	1
5	81-9400-0066-FIN	Escutcheon Plate Screw Pack (1-3/4" - 2-1/4" door) Includes (2) Screws and (2) Nylon Bushings	1
5	50-4601-7176-FIN	Escutcheon Plate Screw (1-3/4" - 2-1/4" door)	2
5	50-4601-7178-FIN	Escutcheon Plate Screw (2-1/4" - 2-3/4" door)	2
5	50-4601-7180-FIN	Escutcheon Plate Screw (2-3/4" - 3-1/4" door)	2
6	81-6619-2896-999	Set Screw	1
7	50-1824-6009-FIN	Thumbturn - CN (1-3/4" - 2" door)	1
7	50-1824-6008-FIN	Thumbturn - CN (2" - 3-1/4" door)	1
Not Shown	50-1824-6000-FIN	Thumbturn Assembly - E3/E4 (1-3/4" door)	1
Not Shown	50-1824-6002-FIN	Thumbturn Assembly - E3/E4 (2" - 2-1/4" door)	1
Not Shown	50-1824-6001-FIN	Thumbturn Assembly - E3/E4 (2-1/2" - 3-1/4" door)	1
Not Shown	99-9999-3979-999	Spindle Pin	1

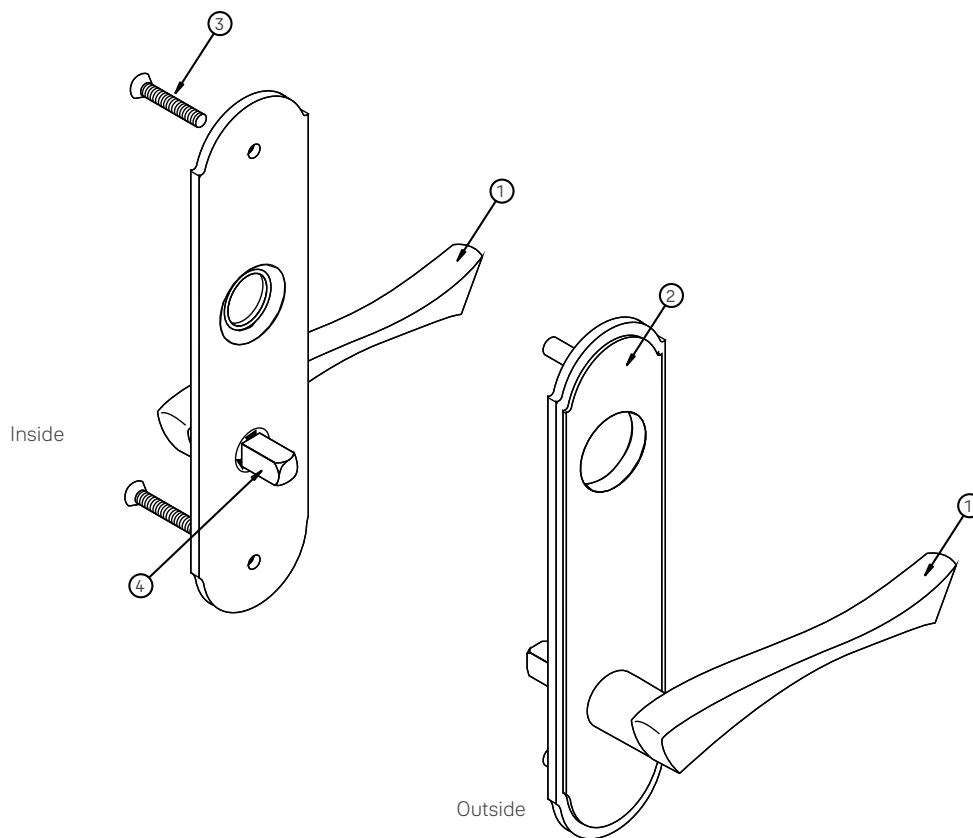


# Trim: Reflections<sup>®</sup> Lever With Escutcheons



For Reflections<sup>®</sup> levers shipped prior to October 2011.

Item	Part Number	Description	Quantity
1	See Page 27	Levers	2
2	See Page 28	E3/E4 Escutcheon Plates	2
3	Not Available	Escutcheon Plate Screw (1-3/4" - 2-1/4" door)	2
3	Not Available	Escutcheon Plate Screw (2-1/4" door)	2
4	Not Available	Spindle Assembly (1-3/4" - 2-1/4" door)	2
Not Shown	Not Available	Outside Mounting Plate	1
Not Shown	Not Available	Inside Mounting Plate	1
Not Shown	Not Available	Spindle Spring	2
Not Shown	Not Available	Spindle Bushing	1
Not Shown	Not Available	Set Screw	1
Not Shown	Not Available	Thumbturn Assembly - E3/E4 (1-3/4" door)	1
Not Shown	Not Available	Thumbturn Assembly - E3/E4 (2" - 2-1/4" door)	1
Not Shown	Not Available	Thumbturn Assembly - E3/E4 (2-1/2" - 3-1/4" door)	1

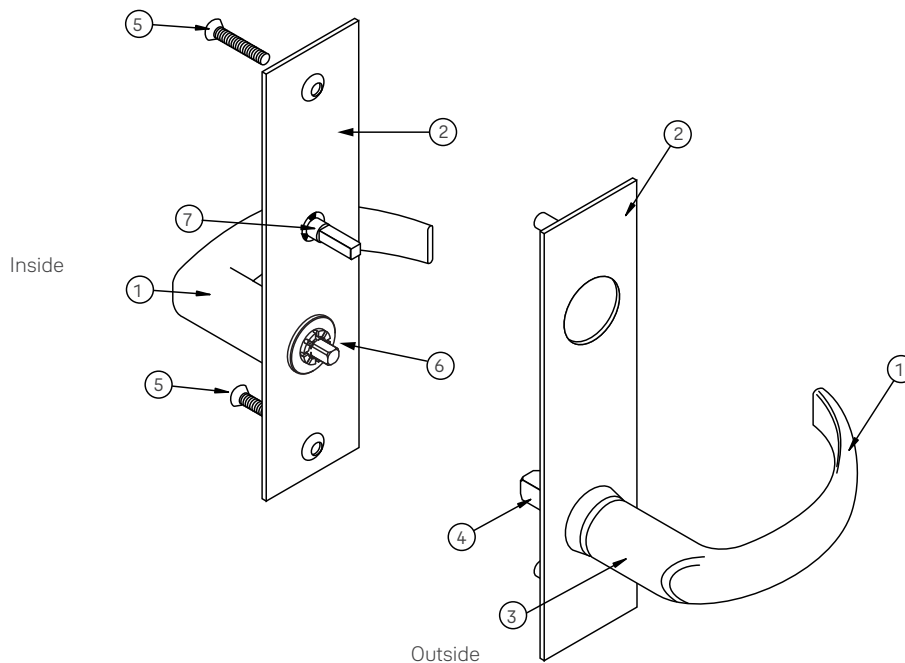




# Trim: Lever With SL Escutcheon

For all products.

Item	Part Number	Description	Quantity
1	See Page 27	Levers	2
2	See Page 28	SL Escutcheon Plates	2
3	10-0086-9038-999	Nylon Bushing	2
4	50-8700-1020-048	SL Spindle (1-3/4" door)	2
4	50-8700-1021-048	SL Spindle (1-7/8" - 2" door)	2
4	50-8700-1022-048	SL Spindle (2-1/8" - 2-1/4" door)	2
4	Consult Factory	SL Spindle (2-1/2" - 3-1/2" door)	2
5	50-4601-7162-999	Escutcheon Plate Screw (1-3/4" door)	2
5	50-4601-7163-999	Escutcheon Plate Screw (2" door)	2
5	50-4601-7164-999	Escutcheon Plate Screw (2-1/4" door)	2
5	50-4601-7166-999	Escutcheon Plate Screw (2-1/2" - 2-3/4" door)	2
5	50-4601-7167-999	Escutcheon Plate Screw (3" door)	2
5	50-4601-7168-999	Escutcheon Plate Screw (3-1/4" door)	2
6	50-8700-1920-048	Security Castle Nut/Washer	2
7	50-1824-6009-FIN	Thumbturn Assembly - SL (1-3/4" - 2" door)	1
7	50-1824-6008-FIN	Thumbturn Assembly - SL (2" - 3-1/4" door)	1
Not Shown	99-9958-0048-999	Cotter Pin	2

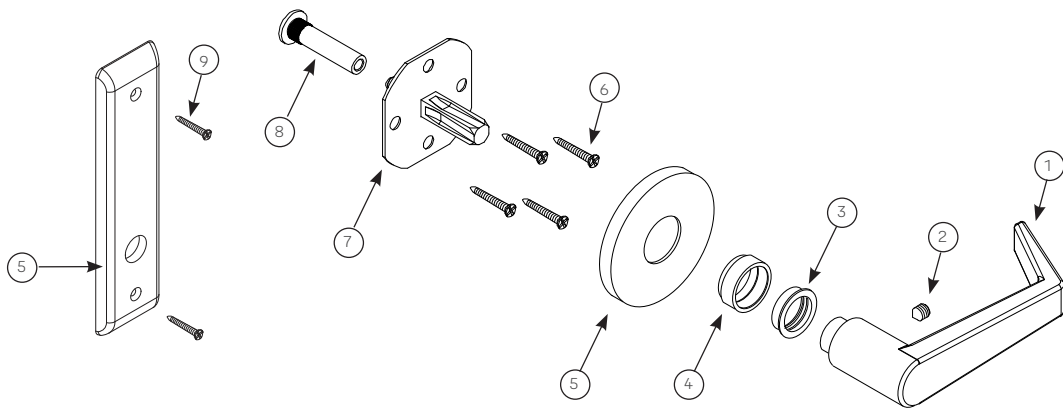


# Trim: Lever And Knob Single-Sided Dummy Trim With Standard CO Rose Or CN Escutcheon



For all products.

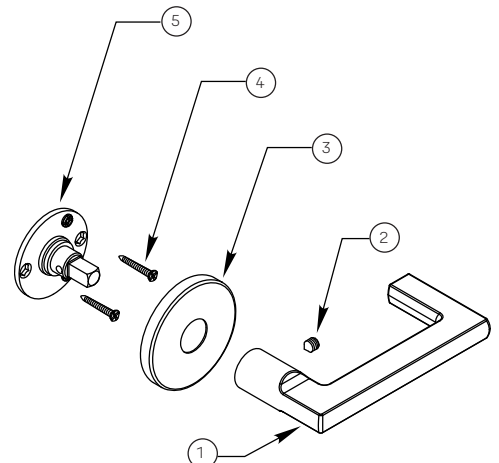
Item	Part Number	Description	Quantity
1	See Page 27	Lever/Knob	1
2	81-6619-2896-999	Set Screw	1
3	10-0086-9038-999	Nylon Bushing	1
4	10-0501-x003-FIN	Rose Adapter (with rose only)	1
5	10-0501-2001-FIN	Rose	1
5	CN87x201	Escutcheon	1
6	81-3112-0526-036	Sheet Metal Screw	4
7	50-1424-0003-048	Dummy Spindle Assembly	1
8	60-7000-2137-FIN	Sex Nut	1
9	81-3173-0520-FIN	Escutcheon Mounting Screw	2



# Trim: Lever Single-Sided Dummy Trim With Reflections® Levers/Roses

For all products.

Item	Part Number	Description	Quantity
1	Consult Factory	Lever	1
2	81-6619-2896-999	Set Screw	1
3	50-8403-x001-FIN	R3 Rose Scalp	1
Not Shown	50-8404-x001-FIN	R4 Rose Scalp	
Not Shown	50-8405-x001-FIN	R5 Rose Scalp	
Not Shown	50-8406-x001-FIN	R6 Rose Scalp	
Not Shown	50-8407-x001-FIN	R7 Rose Scalp	
Not Shown	50-8408-x001-FIN	R8 Rose Scalp	
4	81-3112-0526-036	Sheet Metal Screw	
5	CR814F828	Dummy Spindle Assembly	1

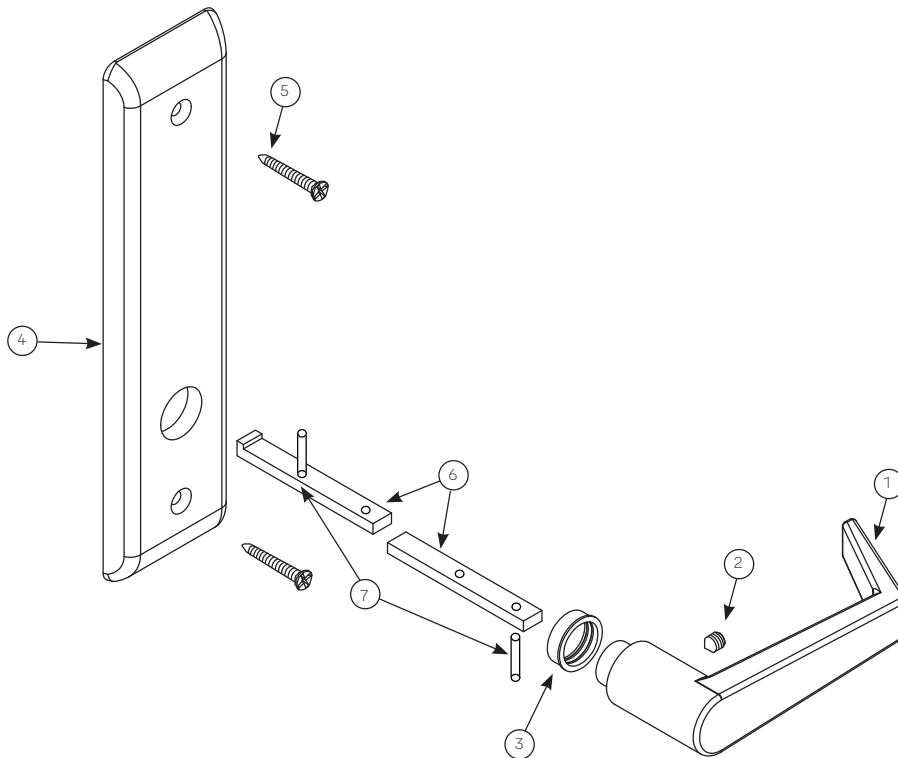


# Trim: Lever And Knob Single-Sided Active Trim With CN Escutcheon



For all products.

Item	Part Number	Description	Quantity
1	See Page 27	Lever/Knob	1
2	81-6619-2896-999	Set Screw	1
3	10-0086-9038-999	Nylon Bushing	1
4	See Page 28	Escutcheon Plate (spacing number 201)	1
5	81-3173-0520-FIN	Mounting Screw	2
6	50-1198-0007-048	Hook Spindle	1
7	99-9999-3990-999	.094 x .250 Rollpin	2





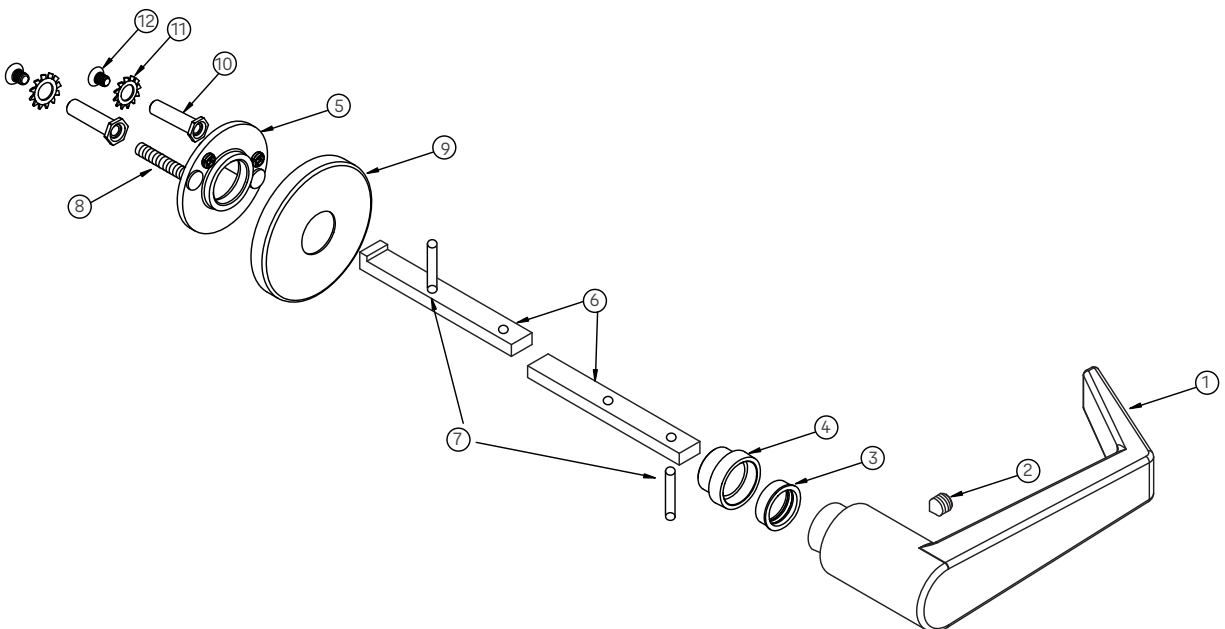
# Lever and Knob Single-Sided Active Trim With Standard CO or Reflections® Roses



For standard lever/knobs shipped after February 2012.  
For Reflections® levers shipped after October 2011.

Item	Part Number	Description	Quantity
1	See Page 27	Levers/Knobs	1
2	81-6619-2896-999	Set Screw	1
3	10-0086-9038-999	Nylon Bushing	1
4	10-0502-2004-FIN	Rose Thimble Adapter for Standard Trim	1
5	50-0506-0902-048	Mounting Plate Assembly	1
6	50-1198-0007-048	Hook Spindle for Single Sided Trim	1
7	99-9999-3990-999	.094 x .250 Rollpin	2
8	81-0611-0420-999	Mounting Screw (1-3/4" door) Std.	2
8	81-0013-0424-048	Mounting Screw (2" - 2-1/4" door)	2
8	81-0013-0428-999	Mounting Screw (2-1/4" - 2-3/4" door)	2
9	10-0501-2002-FIN	CO Rose Scalp (Outside and Inside)	1
10	50-0506-1010-999	Case Nut	2
11	99-9999-7192-036	Case Nut Lockwasher	2
12	81-0012-0404-048	Case Nut Screw	2
Not Shown	50-1824-0014-FIN	Thumbturn and Plate Assembly (1-3/4" to 2-1/4" door)	1
Not Shown	50-1824-0021-FIN	Thumbturn and Plate Assembly (2-1/4" to 3-1/4" door)	1
Not Shown	50-8403-x001-FIN*	R3 Rose Scalp (Outside or Inside)	1
Not Shown	50-8404-x001-FIN*	R4 Rose Scalp (Outside or Inside)	1
Not Shown	50-8405-x001-FIN*	R5 Rose Scalp (Outside or Inside)	1
Not Shown	50-8406-x001-FIN*	R6 Rose Scalp (Outside or Inside)	1
Not Shown	50-8407-x001-FIN*	R7 Rose Scalp (Outside or Inside)	1
Not Shown	50-8408-x001-FIN*	R8 Rose Scalp (Outside or Inside)	1
Not Shown	50-1824-0030-FIN	Designer Thumbturn Assembly (1-3/4" door)	1
Not Shown	50-1824-1125-048	Designer Thumbturn Mounting Plate	1
Not Shown	81-9400-0041-033	Designer Thumbturn Screw Pack	1

\* = X in 3rd set of numbers is the base material designation  
2 = Brass  
7 = Steel

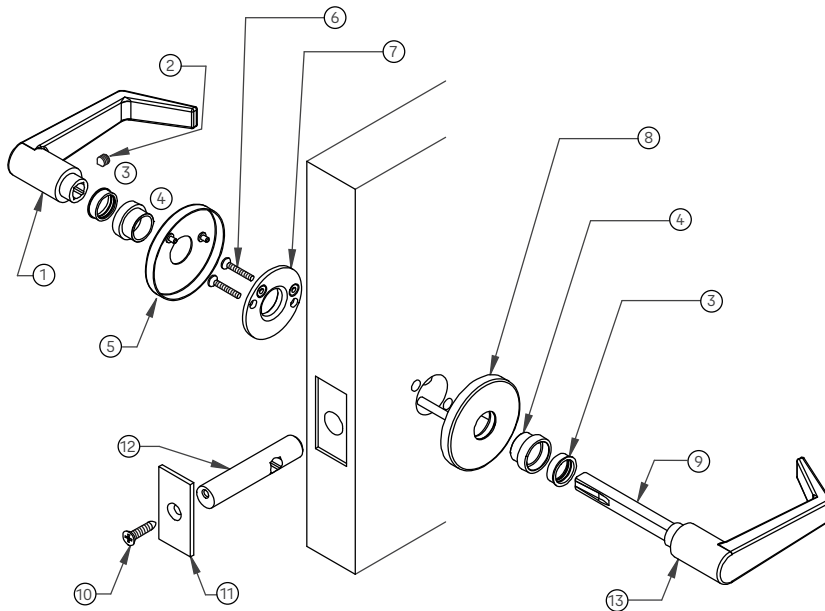


# Trim: Lever And Knob Double Sided Dummy Trim With Rose Or Escutcheon



Item	Part Number	Description	Quantity
1	See Page 27	Levers/ Knobs	2
2	81-6619-2896-999	Set Screw	1
3	10-0086-9038-999	Nylon Bushing	2
4	10-0502-2004-FIN	Rose Thimble Adapter	2
5	10-0501-x002-FIN*	CO Rose Scalp (Outside or Inside)	2
Not Shown	50-8403-x001-FIN*	R3 Rose Scalp (Outside or Inside)	2
Not Shown	50-8404-x001-FIN*	R4 Rose Scalp (Outside or Inside)	2
Not Shown	50-8405-x001-FIN*	R5 Rose Scalp (Outside or Inside)	2
Not Shown	50-8406-x001-FIN*	R6 Rose Scalp (Outside or Inside)	2
Not Shown	50-8407-x001-FIN*	R7 Rose Scalp (Outside or Inside)	2
Not Shown	50-8408-x001-FIN*	R8 Rose Scalp (Outside or Inside)	2
6	81-0611-0420-999	Mounting Screws (1-3/4" door) Std.	2
6	81-0013-0424-048	Mounting Screws (2" - 2-1/4" door)	2
6	81-0013-0428-999	Mounting Screws (2-1/4" - 2-3/4" door)	2
7	50-0505-0004-999	Inside Mounting Plate	1
8	50-0506-0004-999	Outside Mounting Plate Assembly	1
9	50-1173-1011-048	Spindle Assembly (1-3/4" door) Std.	1
9	50-1173-1012-048	Spindle Assembly (2" - 2-1/4" door)	1
9	50-1173-1013-048	Spindle Assembly (2-1/4" - 3-1/4" door)	1
10	80-0122-0620-FIN	Rigid Spindle Bar Front Screw	1
11	50-0836-2002-FIN	Dummy Front	1
12	50-0838-1001-000	Spindle Bar	1
Not Shown	See Page 28	Escutcheon Plates	2

\* = X in 3rd set of numbers is the base material designation  
 2 = Brass  
 7 = Steel



# Trim: Lever And Knob Part Numbers



Type	Design	Hand	Part Numbers	
			Product Shipped After October 2011	
			Outside	Inside
Reflections®	CH	RH	10-0904-2903-FIN	10-0905-2906-FIN
	CH	LH	10-0904-2905-FIN	10-0905-2902-FIN
	DW		10-0904-2909-FIN	10-0905-2909-FIN
	MA	RH	10-0904-6042-FIN	10-0905-6042-FIN
	MA	LH	10-0904-6043-FIN	10-0905-6043-FIN
	RA	RH	10-0904-6012-FIN	10-0905-6012-FIN
	RA	LH	10-0904-6013-FIN	10-0905-6013-FIN
	RB	RH	10-0904-6022-FIN	10-0905-6022-FIN
	RB	LH	10-0904-6023-FIN	10-0905-6023-FIN
	RC	RH	10-0904-6032-FIN	10-0905-6034-FIN
	RC	LH	10-0904-6035-FIN	10-0905-6036-FIN
	RS		10-0904-x916-FIN	10-0905-x916-FIN
	RT		10-0904-x917-FIN	10-0905-x917-FIN
	RU		10-0904-x918-FIN	10-0905-x918-FIN
	RV		10-0904-x919-FIN	10-0905-x919-FIN
	TA		50-0809-0000-FIN	50-0808-0000-FIN
	TB		10-0904-x810-FIN	10-0905-x810-FIN
	TC		10-0904-x831-FIN	10-0905-x831-FIN
	TD		10-0904-x861-FIN	10-0905-x861-FIN
	TE		10-0904-x858-FIN	10-0905-x858-FIN
	TF	RH	50-0842-0000-FIN	50-0844-0000-FIN
	TF	LH	50-0845-0000-FIN	50-0841-0000-FIN
	TG	RH	10-0904-x864-FIN	10-0905-x864-FIN
	TG	LH	10-0904-x867-FIN	10-0905-x867-FIN
	TH		50-0872-0000-FIN	50-0871-0000-FIN
	TI	RH	10-0904-x079-FIN	10-0905-x079-FIN
	TI	LH	10-0904-x082-FIN	10-0905-x082-FIN
	TJ	RH	10-0904-x879-FIN	10-0905-x879-FIN
	TJ	LH	10-0904-x882-FIN	10-0905-x882-FIN
	TK	RH	10-0904-x846-FIN	10-0905-x846-FIN
	TK	LH	10-0904-x849-FIN	10-0905-x849-FIN
	TL		50-0803-0000-FIN	50-0802-0000-FIN
	TM		10-0904-x804-FIN	10-0905-x804-FIN
	TN		10-0904-x813-FIN	10-0905-x813-FIN
	TO	RH	10-0904-x073-FIN	10-0905-x073-FIN
	TO	LH	10-0904-x076-FIN	10-0905-x076-FIN
	TP		10-0904-x816-FIN	10-0905-x816-FIN
	TQ		10-0904-x897-FIN	10-0905-x897-FIN
	TR		10-0904-x819-FIN	10-0905-x819-FIN
	TS		10-0904-x828-FIN	10-0905-x828-FIN
	TT	RH	10-0904-x852-FIN	10-0905-x852-FIN
	TT	LH	10-0904-x855-FIN	10-0905-x855-FIN
TU	RH	10-0904-x822-FIN	10-0905-x822-FIN	
TU	LH	10-0904-x825-FIN	10-0905-x825-FIN	
TV	RH	10-0904-x834-FIN	10-0905-x834-FIN	
TV	LH	10-0904-x837-FIN	10-0905-x837-FIN	

Type	Design	Hand	Part Numbers		
			Product Shipped After October 2011		
			Outside	Inside	
Reflections®	TW	RH	10-0904-x873-FIN	10-0905-x873-FIN	
	TW	LH	10-0904-x876-FIN	10-0905-x876-FIN	
	TW (round shank)	RH	10-0904-x239-FIN	10-0905-x239-FIN	
	TW (round shank)	LH	10-0904-x240-FIN	10-0905-x240-FIN	
	TX	RH	10-0904-x885-FIN	10-0905-x885-FIN	
	TX	LH	10-0904-x888-FIN	10-0905-x888-FIN	
	TX (round shank)	RH	10-0904-x247-FIN	10-0905-x247-FIN	
	TX (round shank)	LH	10-0904-x248-FIN	10-0905-x248-FIN	
	TY	RH	10-0904-x891-FIN	10-0905-x891-FIN	
	TY	LH	10-0904-x894-FIN	10-0905-x894-FIN	
	TZ	RH	10-0904-x085-FIN	10-0905-x085-FIN	
	TZ	LH	10-0904-x088-FIN	10-0905-x088-FIN	
	UB		10-0904-x907-FIN	10-0905-x907-FIN	
	UC		10-0904-x913-FIN	10-0905-x913-FIN	
	UW	RH	10-0904-x901-FIN	10-0905-x901-FIN	
	UW	LH	10-0904-x904-FIN	10-0905-x904-FIN	
	UX	RH	10-0904-x064-FIN	10-0905-x064-FIN	
	UX	LH	10-0904-x067-FIN	10-0905-x067-FIN	
	Standard	AR	RH	10-0902-x021-FIN	10-0903-x024-FIN
		AR	LH	10-0902-x022-FIN	10-0903-x023-FIN
AU			10-0904-x036-FIN	10-0905-x017-FIN	
CR			10-0904-x071-FIN	10-0905-x070-FIN	
JN			10-0902-x011-FIN	10-0903-x012-FIN	
MO			10-0904-x051-FIN	10-0905-x051-FIN	
PB			10-0904-x054-FIN	10-0905-x054-FIN	
PN			10-0904-6045-FIN	10-0905-6054-FIN	
VI			10-0904-x055-FIN	10-0905-x055-FIN	
HA			10-0904-2151-FIN	10-0905-2151-FIN	
ZAU			10-0904-6036-FIN	10-0905-6017-FIN	
ZCR			10-0904-6071-FIN	10-0905-6070-FIN	
ZMO			10-0904-6051-FIN	10-0905-6051-FIN	
ZPB			10-0904-6054-FIN	10-0905-6054-FIN	
CO			10-0035-x487-FIN	10-0035-x483-FIN	

\* = X in 3rd set of numbers is the base material designation  
 2 = Brass  
 7 = Steel

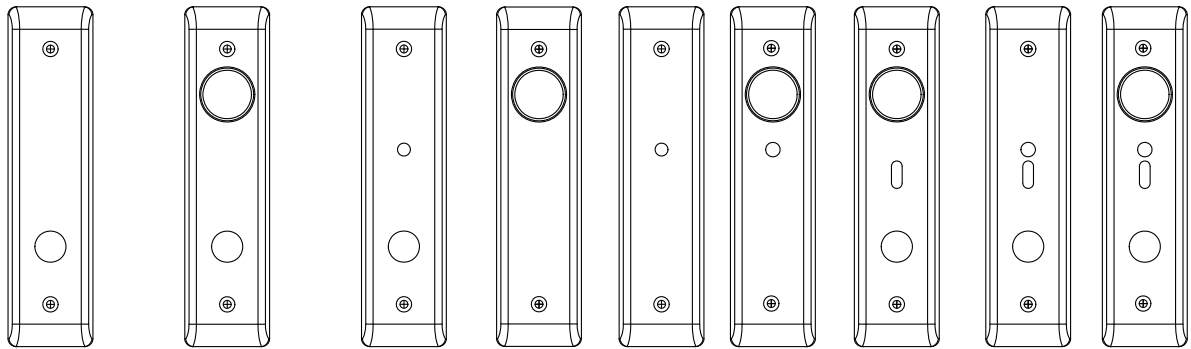


# Trim: Escutcheon Plates

When ordering escutcheons separately, specify the model number of the escutcheon plate suffixed with the spacing number. The spacing number indicates the hole preparation in the escutcheon plate to coordinate with the lock functions (i.e. CN87 x 201).

- 260, 261 and 262 used with CN escutcheon only. These are an assembly which includes indicator.
- 262 used with CN88 only

Model Number	Description
CN87	Inside for CN
CN88	Outside for CN
SL87	Inside for SL
SL88	Outside for SL
E3-87	Inside for E3
E3-88	Outside for E3
E4-87	Inside for E4
E4-88	Outside for E4



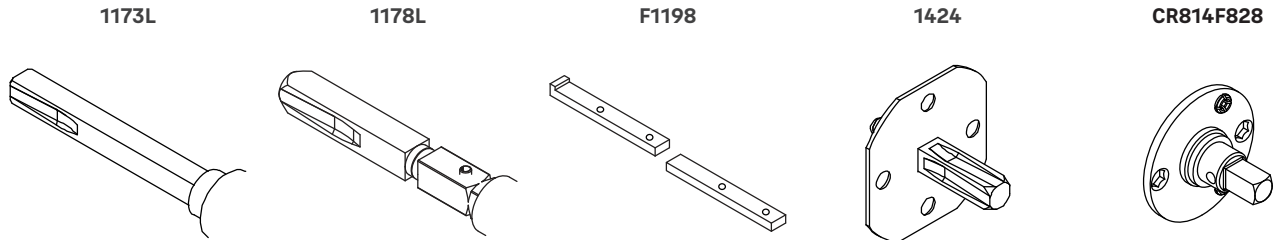
	201	208	211	250	251	252	260	261	262
<b>Inside (87)</b>	8801, 8805, 8807, 8808, 8828, 8833, 8880, 8884, 8890, 8881, 8885, 8895	8808-2, 8811-2, 8812-2, 8817-2, 8818-2, 8830-2, 8831, 8834, 8834-2, 8860-2, 8894-2, 8896-2, 8898-2, 8895-2, 8897-2, 8899-2	8802, 8809, 8820, 8822, 8824, 8827, 8832, 8835, 8840, 8847, 8860, 8861, 8862, 8864, 8865, 8867, 8896, 8898, 8897, 8899	8814-2, 8833-2,	8813ST, 8815,	8813ST-2	8818-2*		
<b>Outside (88)</b>	8801, 8831, 8880, 8884, 8881, 8885	8805, 8807, 8808, 8808-2, 8809, 8811-2, 8812-2, 8817-2, 8818-2, 8822, 8823, 8824, 8829, 8830-2, 8832, 8840, 8847, 8860, 8860-2, 8861, 8867, 8890, 8894-2, 8896, 8896-2, 8898, 8898-2, 8891, 8895-2, 8897, 8897-2, 8899, 8899-2	8802, 8862, 8865	8813ST, 8813ST-2, 8814, 8814-2, 8815, 8833, 8833-2, 8834, 8834-2			8818-2*, 8820, 8822*, 8827, 8832*, 8864	8802, 8862	

\*Optional indicator escutcheon

# Spindles and Indicator Parts

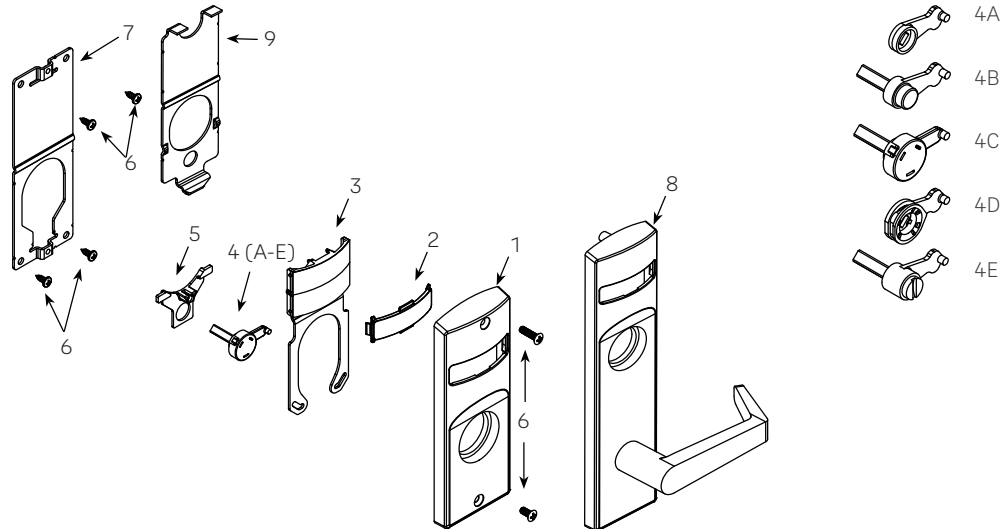


## Spindles



Model #	Description	Used With	P/N
1173L	Straight Spindle 3/8"	8870, 8871, 8872	50-1173-1011-048 (1-3/4" Door) 50-1173-1012-048 (2" - 2-1/4" Door) 50-1173-1013-048 (2-1/4" - 3-1/4" Door)
1178L	Swivel Spindle 3/8"	All other functions	50-1178-0001-048 (1-3/4" Door) 50-1178-0002-048 (2" - 2-1/4" Door) 50-1178-0003-048 (3" - 3-1/4" Door)
F1198	Threaded Hook Spindle 3/8"	8823, 8828, 8829, 8833, 8834, 8834-2, 8835,	50-1198-0007-048
1424	Dummy Spindle Assembly - Standard Trim	855 with CO Rose or CN Escutcheon	50-1424-0003-048
CR814F828	Dummy Spindle Assembly - Reflections® Trim	855 with R3 thru R8 roses with Reflections® levers	CR814F828

# V Series Indicator Parts



#	Description	Part #
1	Sectional Cylinder Plate Only (cylinder not included)	81-0472-4000*
	Sectional Cointurn Plate Only (cointurn not included)	81-0471-4000*
	Sectional Thumbturn Plate Only (assembly includes thumbturn)	50-8800-0364*
	Sectional No Input-Blank Plate Only	81-0473-4000*
2	Indicator Window	856F049
3	Indicator Display Assembly - Green Unlocked / Red Locked	82-5602-4000
	Indicator Display Assembly - Green Vacant / Red Occupied	82-5603-4000
	Indicator Display Assembly - Green Unlocked Icon / Red Locked Icon	82-5604-4000
	Indicator Display Assembly - White Unlocked / Red Locked	82-5605-4000
	Indicator Display Assembly - White Vacant / Red Occupied	82-5606-4000
	Indicator Display Assembly - White Unlocked Icon / Red Locked Icon	82-5607-4000
	Indicator Display Assembly - Green Ouvert / Red Fermé	82-5684-4000
	Indicator Display Assembly - Green Libre / Red Occupée	82-5685-4000
4A	Indicator Spindle Cam - Thumbturn	50-8800-9328
4B	Indicator Spindle Cam - Cylinder/No Input-Blank (1-3/4" door thickness)	50-8800-7335
	Indicator Spindle Cam - Cylinder/No Input-Blank (1-3/8" door thickness)	50-8800-7336
	Indicator Spindle Cam - Cylinder/No Input-Blank (2-1/4" door thickness)	50-8800-7337
	Indicator Spindle Cam - Cylinder/No Input-Blank (greater than 2-1/4" door thickness, must specify)	50-880-7338

#	Description	Part #
4C	Indicator Spindle Cam - Cylinder Overtravel (1-3/4" door thickness)	50-8800-0378
	Indicator Spindle Cam - Cylinder Overtravel (1-3/8" door thickness)	50-8800-0379
	Indicator Spindle Cam - Cylinder Overtravel (2-1/4" door thickness)	50-8800-0380
	Indicator Spindle Cam - Cylinder Overtravel (greater than 2-1/4" door thickness, must specify)	50-8800-0381
	Indicator Spindle Cam - Thumbturn Overtravel	50-8800-0346
4D	Indicator Spindle Cam - Cointurn (1-3/4" door thickness)	50-8800-7339*
	Indicator Spindle Cam - Cointurn (1-3/8" door thickness)	50-8800-7340*
	Indicator Spindle Cam - Cointurn (2-1/4" door thickness)	50-8800-7341*
	Indicator Spindle Cam - Cointurn (greater than 2-1/4" door thickness, must specify)	50-8800-7342*
5	Indicator Retaining Pad	81-0749-9000
6	Sectional Indicator Screw Pack - Phillips & Torx, All Doors	858F497*
7	Sectional Indicator Mounting Plate	855F658
8	VN Indicator Escutcheon	Consult Factory
9	Indicator Backing Plate (used with VN escutcheon)	855F638
Not Shown	Sectional Indicator Template Kit	50-8800-9343
	VN Esc Indicator Screw Pack - Phillips, 1-3/4" Door	858F517*
	VN Esc Indicator Screw Pack - Phillips, 1-3/8" Door	858F50M*
	VN Esc Indicator Screw Pack - Phillips, 2" Door	858F52M*
	VN Esc Indicator Screw Pack - Phillips, 2-1/4" Door	858F53M*
	VN Esc Indicator Screw Pack - Phillips, 2-1/2" Door	858F55M*
	Door Marker Template	7088-1008

\*Specify finish

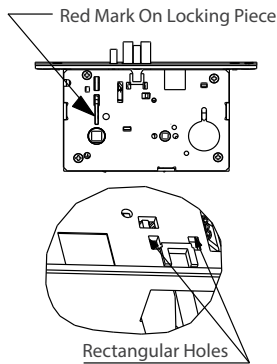


## Handing The 8800 Mortise Lock

### Units Shipped Prior To March 2012

#### HANDING THE LATCHBOLT

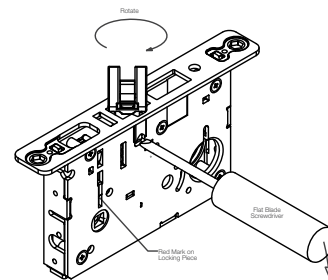
1. Locate and depress spring plate mechanism in one of the rectangular holes.
2. While depressing spring plate pull latchbolt head.
3. Rotate head for desired handing.
4. Push head into lockbody until secured.
5. Operate several times to insure operation.



### Units Shipped After March 2012

#### HANDING THE LATCHBOLT

1. Insert a flat blade screwdriver into cover slot.
2. Pull back on screwdriver until latchbolt extends past the base front.
3. Rotate head to desired position.



#### HANDING THE HUBS (LEVER OPERATION)

1. Locate the red mark on locking piece
2. The red mark indicates the locked side
3. Push toggle button to the "Unlock" position
4. With a flat blade screwdriver push red mark on locking piece to rotate locking piece 180° to the desired location
5. The locking piece must be fully rotated 180° for proper operation

## Troubleshooting

Installation Trouble Shooting Tips		
Problem	Possible Cause	Solution
Difficult to operate lock by lever or by key.	Loose (Trim H.M. Doors) (Vibration caused by normal operation of door opening and closing can loosen attaching screws)	Adjust and tighten - as necessary. If screws continually loosen up, use a screw locking compound (such as Loctite) on all attaching screws.
	Door is warped or sagging, binding up latch bolt in strike cutout.	Check to see where latch is hanging up in strike. If door is sagging, tightening top hinge screws may solve problem. Hole in strike plate may have to be filed to relieve bind. Doors can warp when weather changes: warm inside - cold outside cool inside - hot outside (Exterior doors painted in a dark color are particularly susceptible to warpage when exposed to direct sunlight.) It may take a few seasonal changes to work out all binding problems.
Loose Trim (wood doors)	Wood doors after being installed will sometimes shrink slightly as the building dries out.	Tighten all screws as needed
Latch bolt hangs up in lock body	Foreign object in lock body (metal shavings, saw dust, wood particles, mineral ore etc.)	Remove lock from door and remove foreign object from body. *Lubricate if necessary.
	Lock body lacks lubrication or lubrication has gummed up with age.	Use penetrating or solvent type lubricant as a cleaning agent to loosen frozen or sticking components. Lubricate with silicon base or Lithium Grease.
Cylinder jams up	Dirt or other foreign object may be in keyway affecting operation.	Lubricate cylinder with graphite or other non-oily lubricant (such as Lock-EZE) Do not use oil based lubricants in Keyway.



**Trusted every day**

**Phone**

1-855-557-5078

**Customer Service Email**

customerservice.yale@assaabloy.com

**Technical Product Support Email**

techsupport.yale@assaabloy.com

**Order Entry Email**

orders.yaleus@assaabloy.com

**Fax**

1-800-338-0965

**Website**

www.yalecommercial.com

## Contact Us

### U.S.A.

**Yale Locks & Hardware**

Address: 225 Episcopal Road

Berlin, CT 06037-4004

Tel: 1-800-438-1951

Fax: 1-800-338-0965

yalecommercial.com

### Canada:

**ASSA ABLOY Door Security Solutions Canada**

Address: 160 Four Valley Drive

Vaughan, Ontario L4K 4T9

Tel: 1-800-461-3007

Fax: 1-800-461-8989

assaabloydss.ca

### International:

**ASSA ABLOY Americas International**

Tel: 1-905-821-7775

Fax: 1-905-821-1429

assaabloyai.com

**MicroShield®**

As part of their promise to provide innovative solutions to their customers, certain ASSA ABLOY Group brands offer the MicroShield® technology, a silver-based antimicrobial coating designed to inhibit the growth of bacteria.

Microshield® is a registered trademark of ASSA ABLOY Access and Egress Hardware Group, Inc.



The Agion antimicrobial is not intended as a substitute for good hygiene. Coated products must still be cleaned to ensure the surfaces will be free of destructive microbes. ASSA ABLOY makes no representations or warranties, express or implied, as to the efficacy of the Agion antimicrobial. A copy of the Agion warranty is available upon request. Agion is a registered trademark of Agion Technologies, Inc., Wakefield, MA, USA.

**THE YALE BRAND**, with its unparalleled global reach and range of products, reassures more people in more countries than any other consumer locking solution.

**THE ASSA ABLOY GROUP** is the world's leading manufacturer and supplier of locking solutions, dedicated to satisfying end-user needs for security, safety and convenience.

Yale Commercial is a business associated with ASSA ABLOY Access and Egress Hardware Group, Inc., an ASSA ABLOY Group company. Copyright © 2004-2021, ASSA ABLOY Access and Egress Hardware Group, Inc. All rights reserved. Reproduction in whole or in part without the express written permission of ASSA ABLOY Access and Egress Hardware Group, Inc. is prohibited. Patent pending and/or patent [www.assaabloydss.com/patents](http://www.assaabloydss.com/patents).