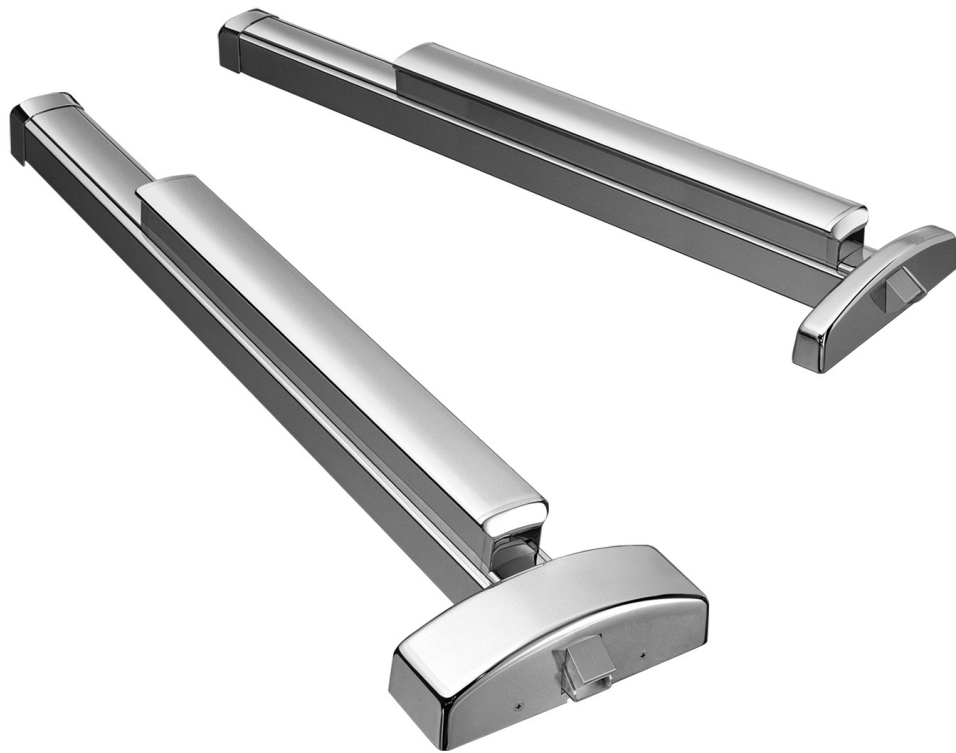


STANLEY[®]
Security Solutions



PRECISION APEX 2000 EXIT DEVICE & TRIM

ILLUSTRATED PARTS CATALOG

STANLEY
phi[™]

CREDITS/COPYRIGHT

Copyright © 2010 Stanley Security Solutions, Inc. All rights reserved. Printed in the United States of America.

Information in this document is subject to change without notice and does not represent a commitment on the part of Stanley Security Solutions, Inc. The software described in this document are furnished under a license agreement or nondisclosure agreement.

This publication is intended to be an accurate description and set of instructions pertaining to its subject matter. However, as with any publication of this complexity, errors or omissions are possible. Please call Stanley Security Solutions, Inc. at (317) 849-2250 if you see any errors or have any questions. No part of this manual and/or databases may be reproduced or transmitted in any form or by any means, electronic or mechanical, including photocopying, recording, or information storage and retrieval systems, for any purpose, without the express written permission of Stanley Security Solutions, Inc.

This document is distributed as is, without warranty of any kind, either express or implied, respecting the contents of this book, including but not limited to implied warranties for the publication's quality, performance, merchantability, or fitness for any particular purpose. Neither Stanley Security Solutions, Inc., nor its dealers or distributors shall be liable to the user or any other person or entity with respect to any liability, loss, or damage caused or alleged to be caused directly or indirectly by this publication.

TORX is a registered trademark of the Camcar Division of Textron.

T83703 Rev A – March 2010

CONTENTS

CONTENTS 1–III

FIGURES 1–VII

GETTING STARTED 1–1

- Introduction 1–1
- Overview 1–2
 - Before looking up the part 1–2
 - Models 1–2
 - Functions 1–2
 - Style 1–2
 - Finishes 1–3
 - Other options 1–3
 - Web Addresses 1–3

EXIT DEVICE OVERVIEW 2–1

- 2100 Apex Rim Series 2–2
 - 2100 Series parts guide 2–2
- 2200 Apex Surface Vertical Rod Series 2–3
 - 2200 Series parts guide 2–3
- 2300 Apex Mortise Series 2–4
 - 2300 Series parts guide 2–4
- Mortise cases for the 2300 Apex 2–5
- 2400 Apex Rim, Narrow Stile Series 2–6
 - 2400 Series parts guide 2–6
- 2600 Apex Concealed Vertical Rod, Narrow Stile Series 2–7
 - 2600 Series parts guide 2–7

2700 Apex Wood Door Concealed Vertical Rod Series	2-8
2700 Series parts guide	2-8
2800 Apex Concealed Vertical Rod Series	2-9
2800 Series parts guide	2-9

TRIM 3-1

Trim Components	3-1
Basic Styles	3-2
Cylinder Accessories	3-2
4900 Escutcheons	3-3
4900 Levers	3-4
4900 Yokes and Springs	3-5
2000 Trim	3-6
2900 Escutcheons	3-7
2900 Levers	3-8
1700 Trim	3-10

FINISHED PARTS 4-1

Finished Parts	4-1
Common Finished Parts	4-2
Endcaps	4-3
Endcaps, Channels, and Touchpads	4-4
Hinge Fillers	4-5
Alarm Hinge Fillers	4-6
Active Case Covers	4-7

TOUCHBAR COMPONENTS 5-1

Spring Touchbar Components	5-2
Solenoid (ELR) Touchbar Components	5-4
Sub-Bracket Assembly	5-6

ACTIVE CASE ASSEMBLIES 6-1

Complete Active Case Assemblies	6-2
2100 Active Case Sub-assembly	6-4
2110 Auxiliary Parts	6-5
2200 Active Case Sub-assembly	6-6
2300 Active Case Sub-assembly	6-8
2310 Auxiliary Parts	6-10
2400 Full Chassis	6-11
2600 Full Chassis	6-12
2700 Active Case Sub-assembly	6-13

2800 Active Case Sub-assembly 6-14
 Backplate Assemblies 6-15

STRIKES AND VERTICAL ROD COMPONENTS 7-1

Strikes, Non-mortise 7-2
 Strikes, Mortise 7-3
 2200 SVR Bottom Latch 7-4
 2200 SVR Top Latch 7-5
 CVR Bottom Latches 7-6
 CVR Top Latches 7-7
 Center Case Assembly 7-8

OTHER COMPONENTS 8-1

Power Supplies 8-2
 Power Supply Units 8-2
 Power Transfer 8-2
 Electrical Conversion Kits 8-2
 Touchbar Mechanisms 8-2
 Monitoring Switches 8-3
 Q Wireless Option Retrofit Kits 8-3
 Electric Rim Device 8-3
 Endcap Door Status Switch 8-3
 Electric Mortise Locks 8-4
 Exit Alarm Kits 8-4
 Shims and Brackets 8-5
 Fire Bolt 8-5
 Screw Packs 8-5

GLOSSARY 9-1

INDICES I-1

Index by Part Number I-1
 Index by Part Type I-7
 Index by Part Description I-12

FIGURES

EXIT DEVICE OVERVIEW

2100 Apex Rim Exit Device	2-2
2200 Apex Surface Vertical Rod (SVR) Exit Device	2-3
2300 Apex Mortise Exit Device	2-4
	2-6
2400 Apex Rim Narrow Stile Exit Device	2-6
2600 Apex Concealed Vertical Rod (CVR), Narrow Stile Exit Device	2-7
2700 Apex Wood Door Concealed Vertical Rod (CVR) Exit Device	2-8
2800 Apex Concealed Vertical Rod (CVR) Exit Device	2-9

TRIM

4900 Series Escutcheons	3-3
4900 Series Levers	3-4
4900 Yoke and Springs (Operational Yoke left, Vandal Yoke right)	3-5
2000 Escutcheon and Grip	3-6
2900 Series Escutcheons	3-7
2900 Series Levers	3-8
1700 Escutcheon and Grip	3-10

FINISHED PARTS

Overview of common finished parts	4-2
Endcaps, channels, and touchpads	4-4
Basic hinge filler styles	4-5
Alarm hinge filler parts	4-6
Apex Active Case covers – includes mounting hardware.	4-7

TOUCHBAR COMPONENTS

- Spring type mechanism 5-2
- ELR Touchbar Mechanism 5-4
- Sub-bracket assembly for hex and cylinder dogging units only. 5-6

ACTIVE CASE ASSEMBLIES

- Basic 2100 Active Case – RHRB shown 6-4
- Auxiliary parts for 2110 Mortise 6-5
- Basic Active Case for a wide surface vertical rod model - RHRB shown 6-6
- Basic Active Case for a wide concealed vertical rod model - RHRB shown 6-8
- 2310 Auxiliary parts for mortise applications. 6-10
- 2400 Full Chassis 6-11
- 2600 Full Chassis 6-12
- 2700 wood concealed vertical rod model - RHRB shown 6-13
- 2800 concealed vertical rod model - RHRB shown 6-14
- Backplate assembly 6-15

STRIKES AND VERTICAL ROD COMPONENTS

- Strikes used with all models except the 2300 model Exit Device. 7-2
- Strikes used with the 2300 model Exit Devices 7-3
- 2200 SVR bottom latch 7-4
- 2200 SVR top latch 7-5
- 2600, 2700 2800 CVR bottom latch 7-6
- 2600, 2700, 2800 CVR top latches 7-7
- Apex 2000 center cases 7-8

1

GETTING STARTED

INTRODUCTION

The *PHI Precision Apex 2000 Series Touchbar Style Exit Device* is highly regarded by architects and end-users alike. Many of the nation's largest health care and educational facilities prefer the Apex for its aesthetic design and efficient engineering. All Apex 2000 Series Exit Devices are UL listed for panic and fire hardware and are certified to ANSI A156.3 Grade 1. Several models are also certified for hurricane resistant applications. A complete offering of mechanical and electrical options provide a wide range of exit device security solutions. However, the traditional core strengths of the product can't be overstated — simple operation with few moving parts, manufactured with true ANSI/BHMA architectural finishes. The Active Case is constructed from investment cast steel and the universal mounting holes provide an easier retrofit installation.



OVERVIEW

Before looking up the part

Before looking up the part, know the **model** of the exit device, the **function** it performs, which **style** lever, knob, or grip you presently have, and what type of **finish** is on it. All these parameters are important to ordering the proper parts for your device.

Please read any footnotes, as they may contain important information concerning options for your unit or your parts.

Models

2100 Rim Devices

2200 Surface Vertical Rod Exit Devices

2300 Mortise Exit Devices

2400 Narrow Stile Rim Exit Devices

2600 Narrow Stile Concealed Vertical Rod Exit Devices

2700 Wood Door Concealed Vertical Rod Exit Devices

2800 Concealed Vertical Rod Exit Devices

Functions

Rim and Vertical Rod Exit Devices incorporate universal function.

ANSI Function	Description
01	Exit only (cover plate)
02	Dummy trim
03	Key retracts latchbolt
05	Key locks/unlocks thumbpiece
08	Key locks/unlocks lever/knob
10	Double cylinder - inside key locks/unlocks lever/knob
14	No cylinder - lever/knob always active
15	No cylinder - thumbpiece always active

Style

- Know which of the many styles of trim and levers your unit requires.
- Know which options your unit has.
- Know if your unit has a special rating such as Fire, Hurricane Compliance, or Delayed Egress that would require special ordering of the parts.

Finishes

ANSI/BHMA	US	Description
605	US3	Polished Brass, Clear Coated
606	US4	Satin Brass, Clear Coated
612	US10	Satin Bronze, Clear Coated
613	US10B	Dark Oxidized Satin Bronze
625	US26	Polished Chromium Plated
626	US26D	Satin Chrome Plated
628	US28	Satin Aluminum, Clear Anodized
630	US32D	Satin Stainless Steel

Other options

Abbreviation	Description
DE	Delayed Egress
E	Electric Lock/Unlock Device
ELR	Electric Latch Retraction
FL	Fire Exit Hardware
HC	Windstorm and Hurricane Code Device
LDS	Latchbolt Monitoring Double Switch
LS	Latchbolt Monitoring Switch
Q	Wireless Access Management System.
TDS	Touchbar Monitoring Double Switch
TS	Touchbar Monitoring Switch
WTDS	Weatherized Touchbar Monitoring Double Switch
WTS	Weatherized Touchbar Monitoring Switch
ALK	Exit Alarm: battery operated
ALW	Exit Alarm: remote power
BRL	Braille Touchbar
CD	Cylinder Dogging
DS	Door Position Monitoring Switch
LD	Less Dogging
SEC	Security Screws
SNB	Sex Nut and Bolt

If you are unsure of which part you need, please contact your Stanley Security Solution dealer or call direct to 1-800-392-5209.

Web Addresses

Precision Hardware – www.precisionhardware.com.

Stanley Security Solutions – www.stanleysecuritysolutions.com.

2

EXIT DEVICE OVERVIEW

This chapter provides top level diagrams for various Apex 2000 models of Exit Devices. It gives direction as to where in this manual more detailed information on the separate components of that model may be found.

The diagrams show a basic model. Details of usage and options are listed in the component chapters. If you do not find the optional or specialized part, see Chapter 8, *Other Components*.

2100 APEX RIM SERIES

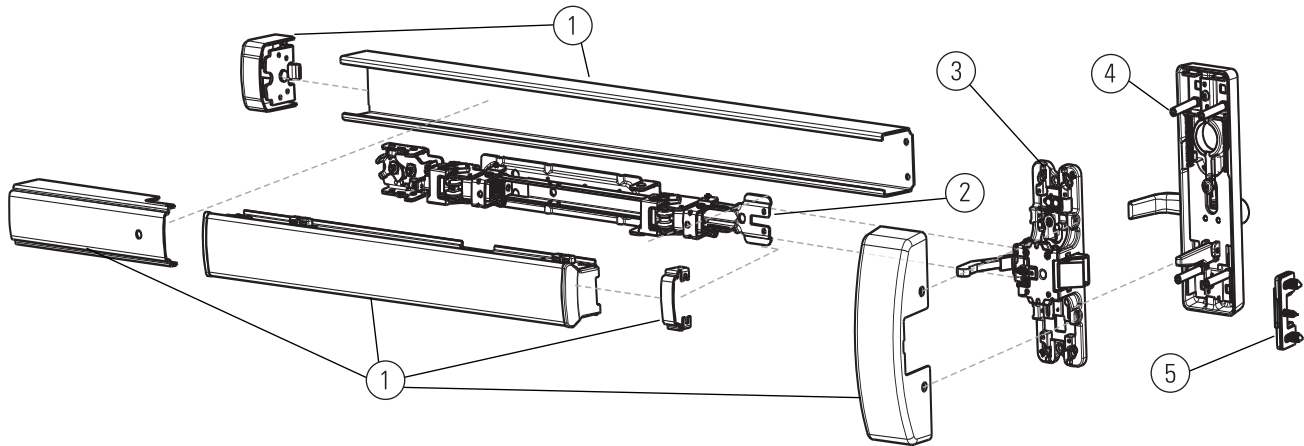


Figure 2.1 2100 Apex Rim Exit Device

**2100 Series
parts guide**

Refer to [Figure 2.1](#) and the table below to find the basic chapter you need.

Item	Description	Chapter
1	Finished Parts	See Chapter 4
2	Touchbar Mechanisms	See Chapter 5
3	Active Case Assembly	See Chapter 6
4	Trim	See Chapter 3
5	Strike/Latch/Rods	See Chapter 7

2200 APEX SURFACE VERTICAL ROD SERIES

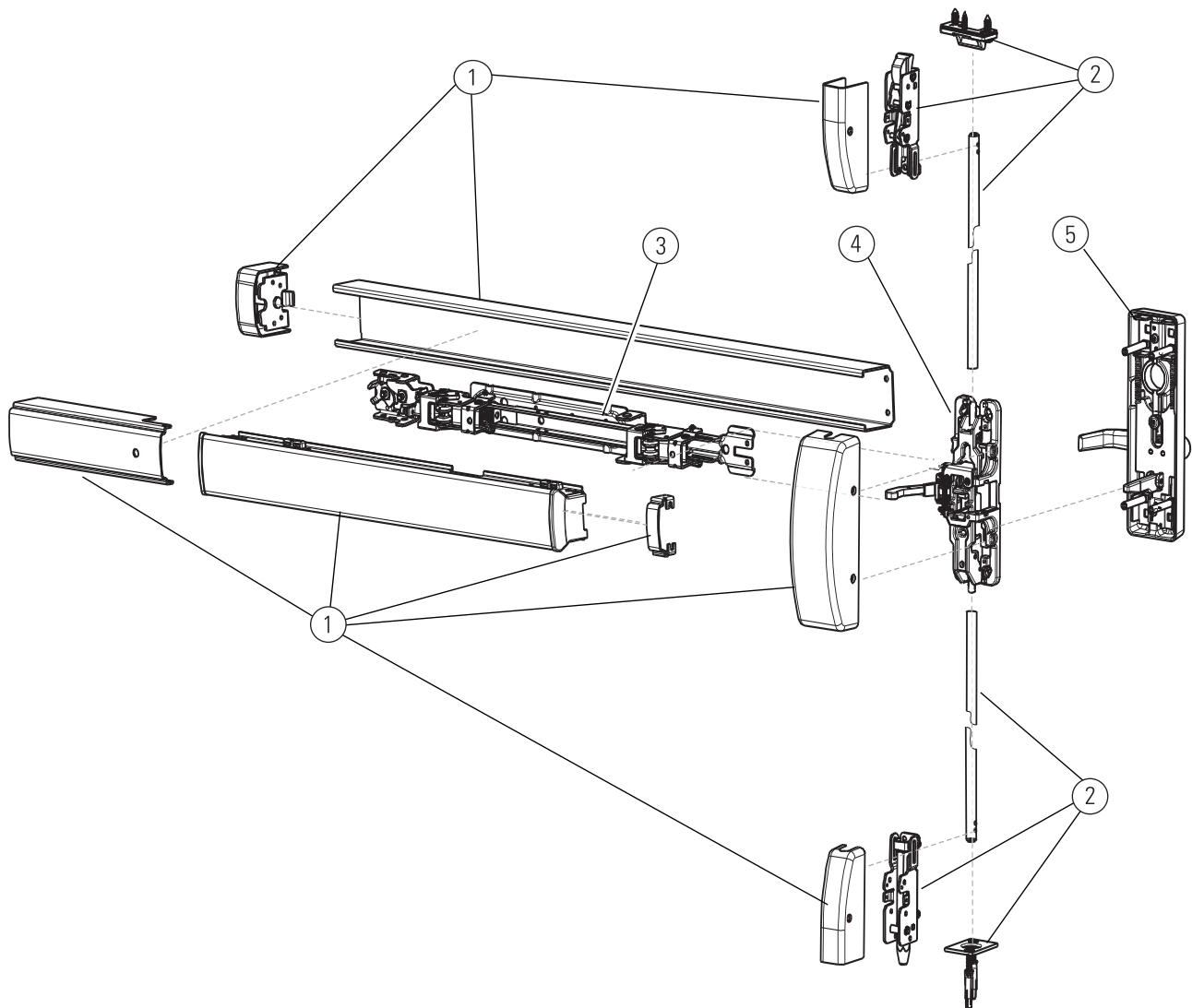


Figure 2.2 2200 Apex Surface Vertical Rod (SVR) Exit Device

2200 Series parts guide

Refer to [Figure 2.2](#) and the table below to find the chapter you need.

Item	Description	Chapter
1	Finished Parts	See Chapter 4
2	Strike/Latch/Rods	See Chapter 7
3	Touchbar Mechanisms	See Chapter 5
4	Active Case Assembly	See Chapter 6
5	Trim	See Chapter 3

2300 APEX MORTISE SERIES

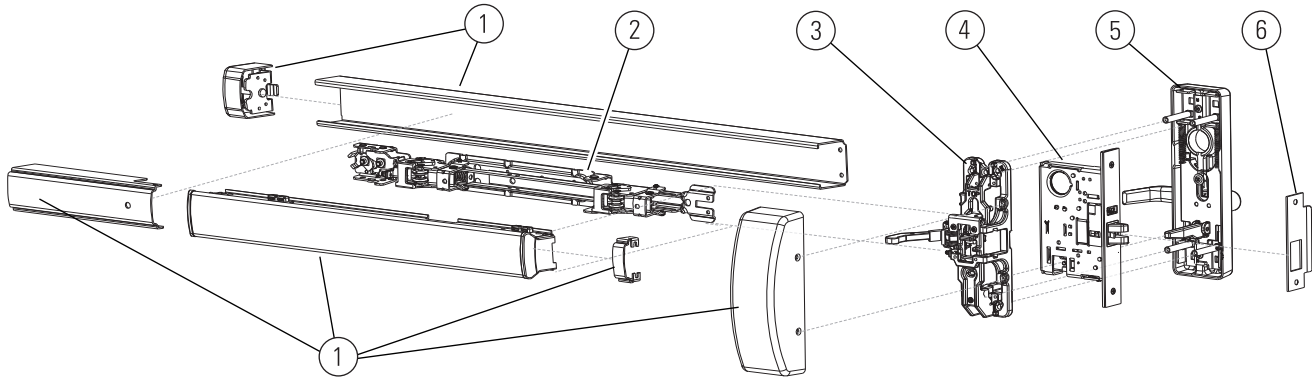


Figure 2.3 2300 Apex Mortise Exit Device

**2300 Series
parts guide**

Refer to [Figure 2.3](#) and the table below to find the chapter you need.

Item	Description	Chapter
1	Finished Parts	See Chapter 4
2	Touchbar Mechanisms	See Chapter 5
3	Active Case Assembly	See Chapter 6
4	Mortise Case	See page 2-5.
5	Trim	See Chapter 3
6	Strike/Latch/Rods	See Chapter 7

MORTISE CASES FOR THE 2300 APEX

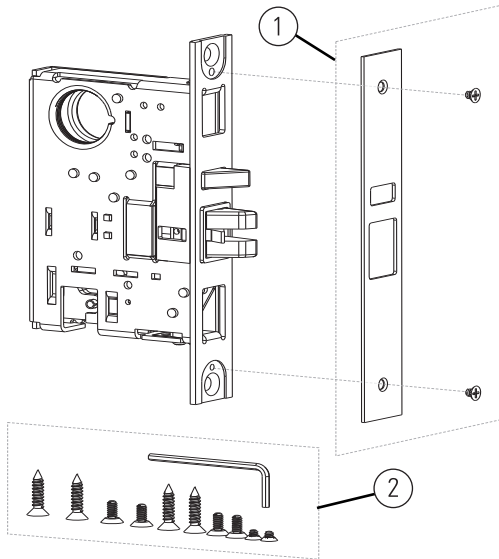
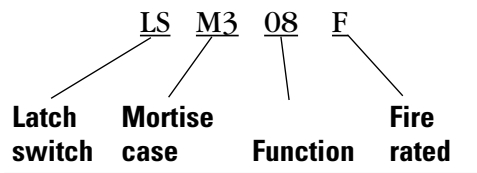


Figure 2.4 Complete mortise case does not include a cylinder. Order the cylinder separately. See the BEST Cylinder Product Catalog.

Abbrev.	Description
E	Electric Lock/Unlock
LS	Latch Switch
M3	Mortise
F	Fire Rated

Example:

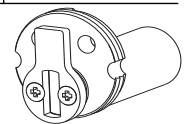
LSM308F + Hand + Finish



Item	Part Number	Description	Qty	Hand	
				RHRB	LHRB
	02555-05 *	EM303 — Complete	1	■	
	02821-05 *	EM303 — Complete	1		■
	02556-05 *	EM303F — Complete	1	■	
	02822-05 *	EM303F — Complete	1		■
	02557-05 *	LSEM303 — Complete	1	■	
	02823-05 *	LSEM303 — Complete	1		■
	02558-05 *	LSEM303F — Complete	1	■	
	02824-05 *	LSEM303F — Complete	1		■
	02553-05 *	LSM303 — Complete	1	■	
	02819-05 *	LSM303 — Complete	1		■
	02554-05 *	LSM303F — Complete	1	■	
	02820-05 *	LSM303F — Complete	1		■
	02551-05 *	LSM308 — Complete	1	■	
	02817-05 *	LSM308 — Complete	1		■
	02552-05 *	LSM308F — Complete	1	■	
	02818-05 *	LSM308F — Complete	1		■
	02543-05 *	M303 — Complete	1	■	
	02813-05 *	M303 — Complete	1		■
	02544-05 *	M303F — Complete	1	■	
	02814-05 *	M303F — Complete	1		■
	02545-05 *	M308 — Complete	1	■	
	02815-05 *	M308 — Complete	1		■
	02816-05 *	M308F — Complete	1		■
	02549-05 *	M310 — Complete ^a	1	■	
	02547-05 *	M310 — Complete ^a	1		■
	02550-05 *	M310F — Complete ^a	1	■	
	02548-05 *	M310F — Complete ^a	1		■
1	01064-05	Mortise Scalp Pack	1	■	■
2	02118-09	Screw Pack, Mortise Lock	1	■	■

a. Also includes Cylinder Extension 01134-05

* Specify finish when ordering these parts.



2400 APEX RIM, NARROW STILE SERIES

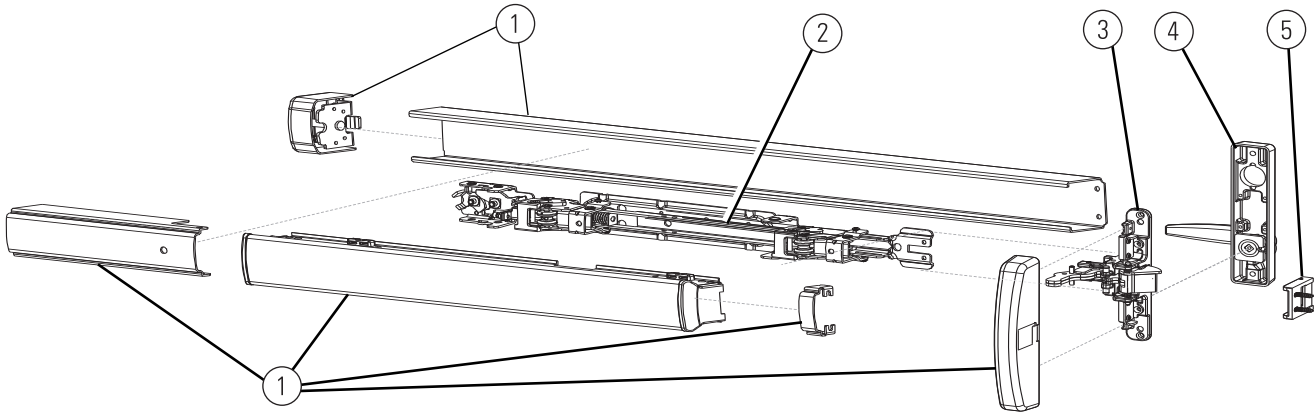


Figure 2.5 2400 Apex Rim Narrow Stile Exit Device

2400 Series parts guide

Refer to [Figure 2.5](#) and the table below to find the chapter you need.

Item	Description	Chapter
1	Finished Parts	See Chapter 4
2	Touchbar Mechanisms	See Chapter 5
3	Active Case Assembly	See Chapter 6
4	Trim	See Chapter 3
5	Strike/Latch/Rods	See Chapter 7

2600 APEX CONCEALED VERTICAL ROD, NARROW STILE SERIES

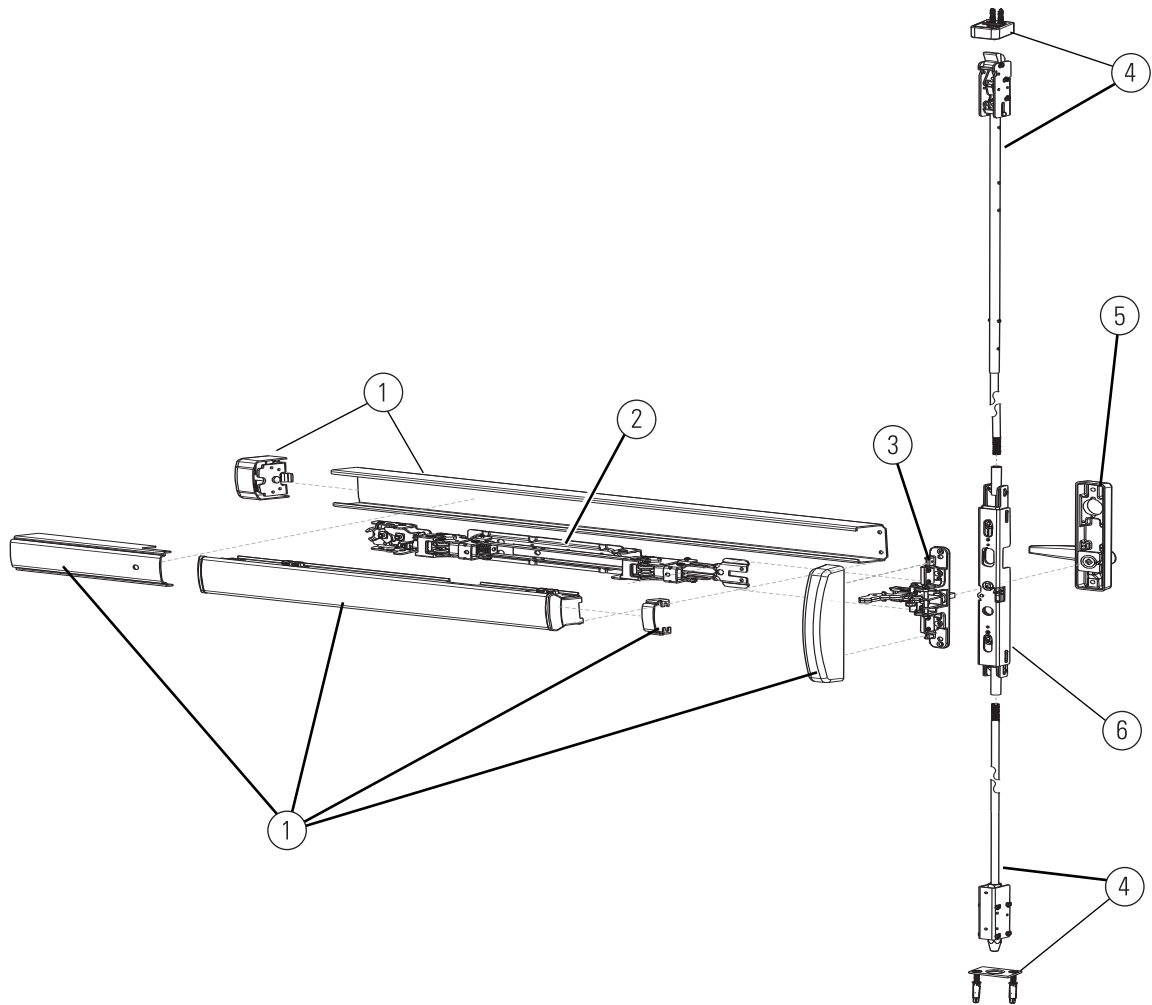


Figure 2.6 2600 Apex Concealed Vertical Rod (CVR), Narrow Stile Exit Device

2600 Series parts guide

Refer to [Figure 2.6](#) and the table below to find the chapter you need.

Item	Description	Chapter
1	Finished Parts	See Chapter 4
2	Touchbar Mechanisms	See Chapter 5
3	Active Case Assembly	See Chapter 6
4	Strike/Latch/Rods	See Chapter 7
5	Trim	See Chapter 3
6	Center Case	See Chapter 7

2700 APEX WOOD DOOR CONCEALED VERTICAL ROD SERIES

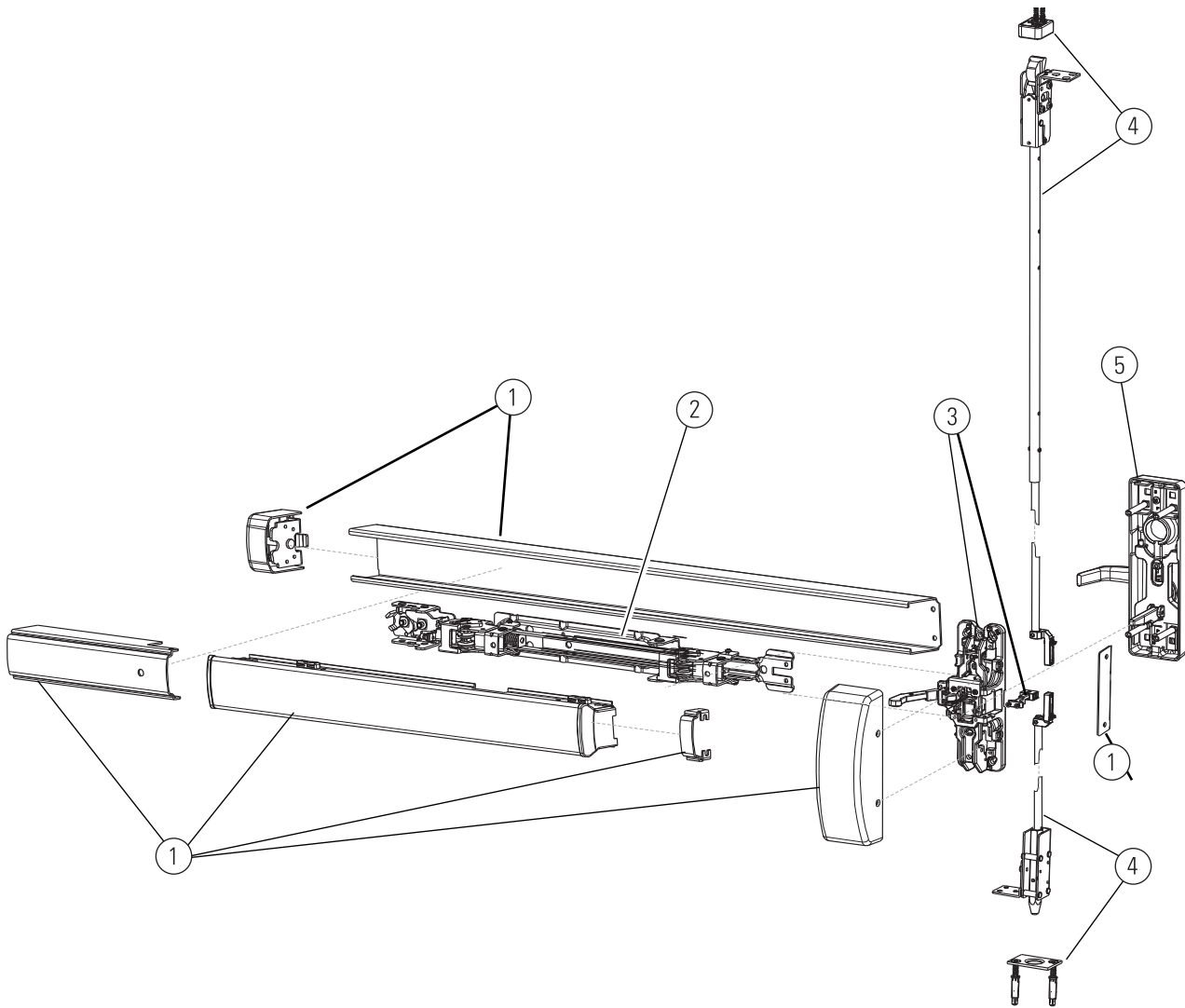


Figure 2.7 2700 Apex Wood Door Concealed Vertical Rod (CVR) Exit Device

2700 Series parts guide

Refer to [Figure 2.7](#) and the table below to find the chapter you need.

Item	Description	Chapter
1	Finished Parts	See Chapter 4
2	Touchbar Mechanisms	See Chapter 5
3	Active Case Assembly	See Chapter 6
4	Strike/Latch/Rods	See Chapter 7
5	Trim	See Chapter 3

2800 APEX CONCEALED VERTICAL ROD SERIES

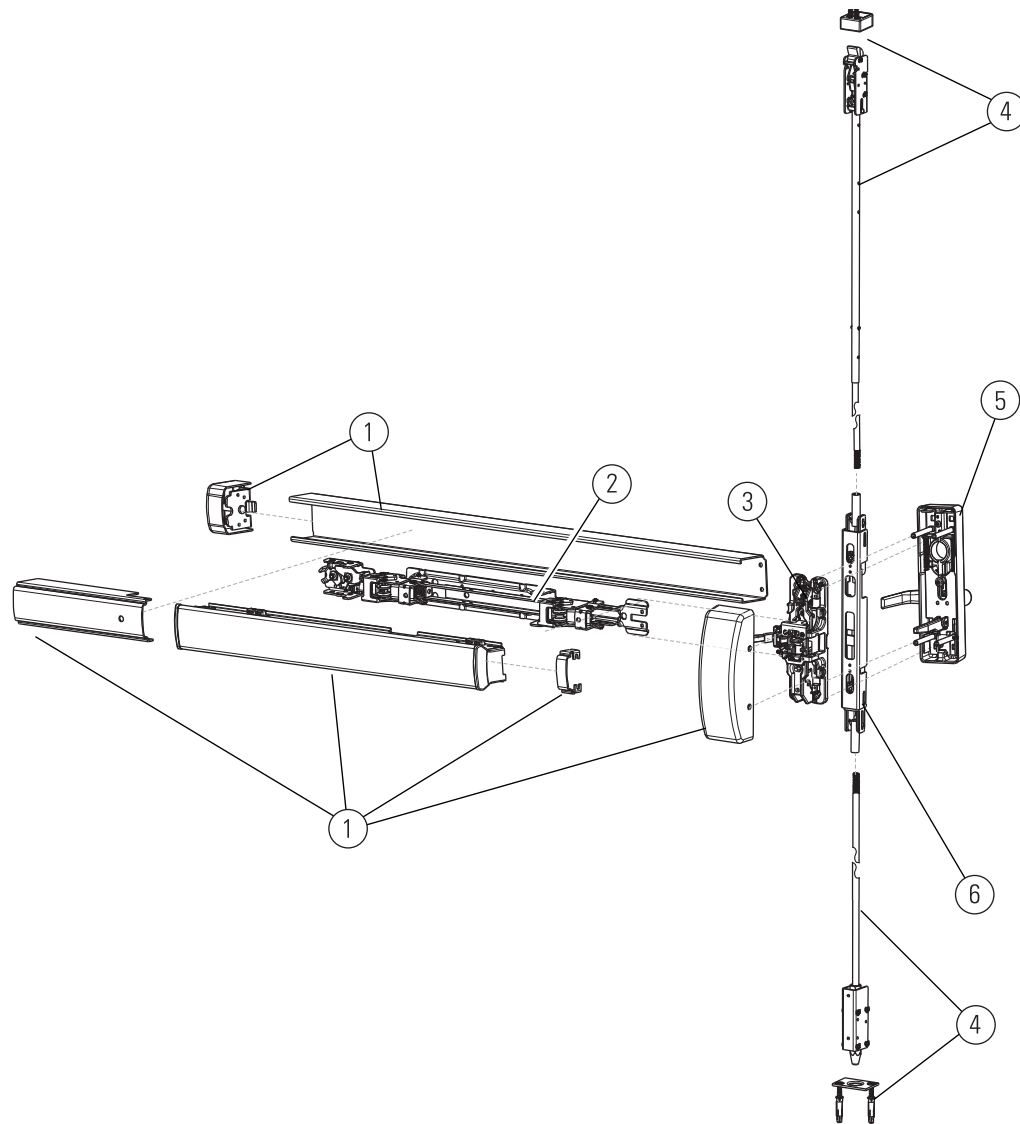


Figure 2.8 2800 Apex Concealed Vertical Rod (CVR) Exit Device

2800 Series parts guide

Refer to [Figure 2.8](#) and the table below to find the chapter you need.

Item	Description	Chapter
1	Finished Parts	See Chapter 4
2	Touchbar Mechanisms	See Chapter 5
3	Active Case Assembly	See Chapter 6
4	Strike/Latch/Rods	See Chapter 7
5	Trim	See Chapter 3
6	Center Case	See Chapter 7

3

TRIM

Trim Components

To order replacement trim components, please note which function your exit device performs, which style lever, knob, or grip you presently have, and what type of finish is on it.

All trim is field reversible. See installation instructions for further details.

ANSI Function	Description
01	Exit only (cover plate)
02	Dummy trim
03	Key retracts latchbolt
05	Key locks/unlocks thumbpiece
08	Key locks/unlocks lever/knob
10	Double cylinder - inside key locks/unlocks lever/knob
14	No cylinder - lever/knob always active
15	No cylinder - thumbpiece always active

ANSI/BHMA	US	Description
605	US3	Polished Brass, Clear Coated
606	US4	Satin Brass, Clear Coated
612	US10	Satin Bronze, Clear Coated
613	US10B	Dark Oxidized Satin Bronze
625	US26	Polished Chromium Plated
626	US26D	Satin Chrome Plated
628	US28	Satin Aluminum, Clear Anodized
630	US32D	Satin Stainless Steel

BASIC STYLES

Wide trim is used with the 2100, 2200, 2300, 2700 and 2800 models of the PHI Apex 2000 Exit Device.

The narrow trim is used with the 2400 and 2600 models of the PHI Apex 2000 Exit Device.

Trim	Wide	Narrow	Lever	Grip
4900	■		■	
2900		■	■	
1700	■			■
2000		■		■
C03	■		Required on 2803 only	

CYLINDER ACCESSORIES

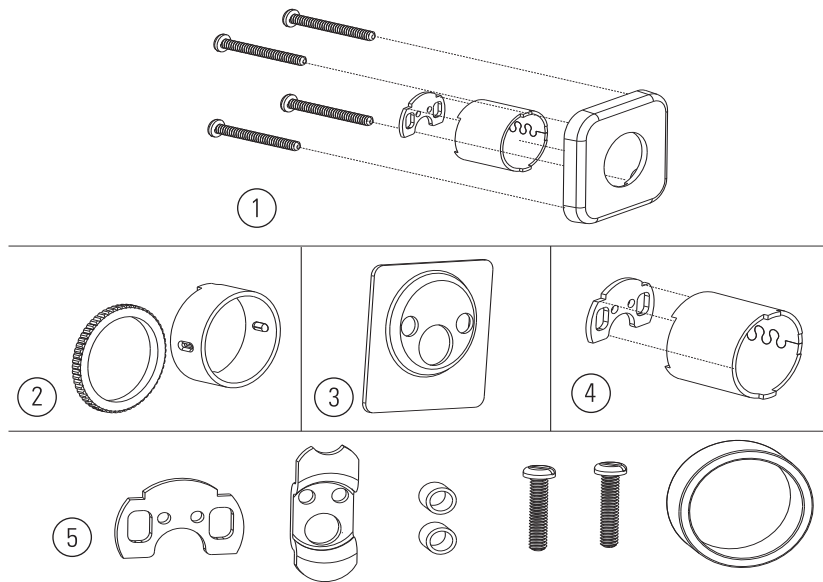


Figure 3.1 Cylinder Accessories

Item	Part Number	Description	Qty	Model
1	02317-04 *	Cast Plate C03	1	2803 Device
2	02124-09	2908 Cylinder Attachment CA2809	1	2908 Trim
3	01657-54	Cylinder Backplate Wide CA-03	1	2103, 2203, 2703 Devices
4	02122-09	Rim Cylinder Attachment CA-03T	1	4903, 4908, 1703, 1705, 2003, 2005, 2903, C03 Trims
5	02111-09	2403/2603 No Trim Pack	1	2403, 2603 Devices

* Specify finish when ordering these parts.

4900 ESCUTCHEONS

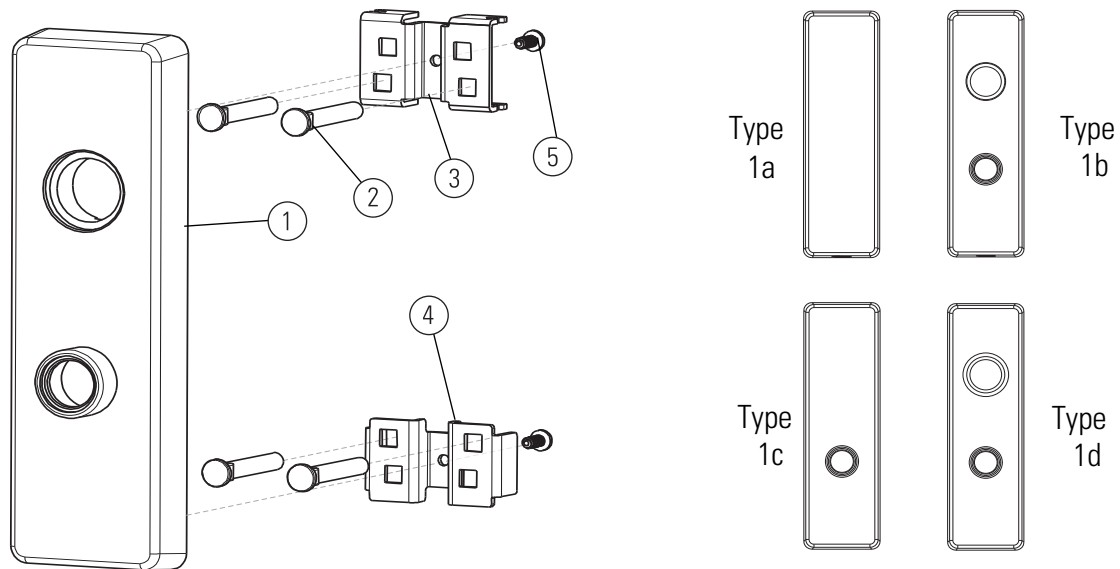


Figure 3.2 4900 Series Escutcheons

Item	Part Number	Description	Qty	Type	Trim Model
	02717-04 *	Complete Escutcheon Kit			4901, R4901
	02718-04 *				4903, R4903, 4908, R4908, V4908, RV4908
	02719-04 *				4902, R4902, 4914, R4914
	02720-04 *				M4903, RM4903, M4908, RM4908, VM4908, RVM4908
1	02095-49 *	Escutcheon	1	1a	4901
	02133-04 *		1	1b	4903, 4908, V4908
	02134-04 *		1	1c	4902, 4914
	02135-04 *		1	1d	M4903, M4908, VM4908
2	01960-91	Trim Stud, 4900 Trim	4		All 4900 models
3	01958-49	Top Bracket, 4900	1		All 4900 models
4	01959-49	Bracket, Bottom, 4900 Trim	1		All 4900 models
5	00509-91	Screw, #10-24 X 1/2 PPHMS	2		All 4900 models

* Specify finish when ordering these parts.

4900 Series Trim is used on all 2100, 2200, 2300, 2700 and 2800 models of PHI Apex Exit Devices.

4900 LEVERS

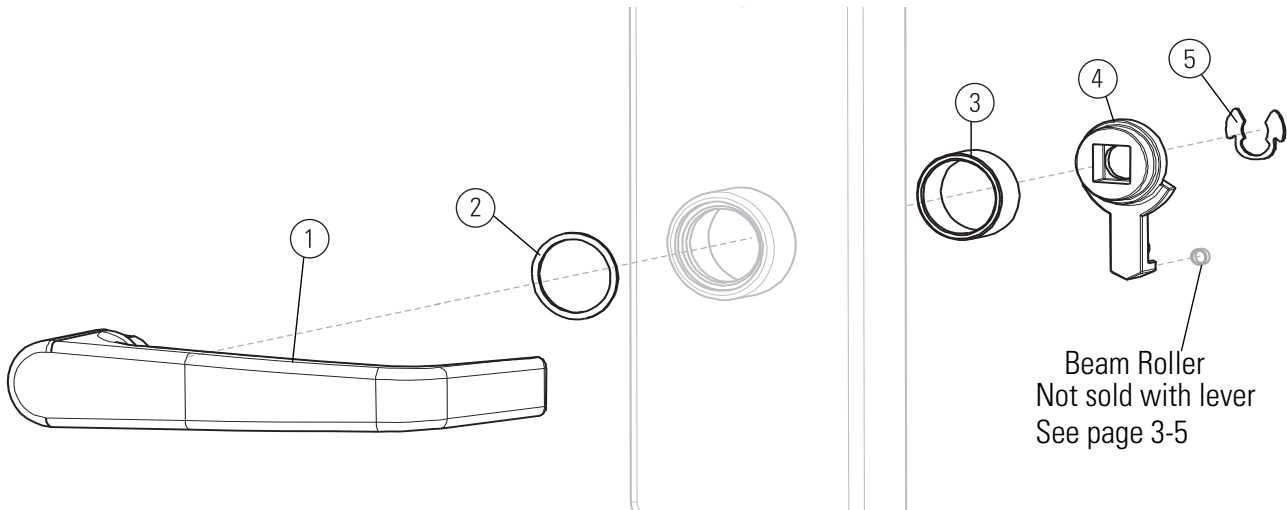
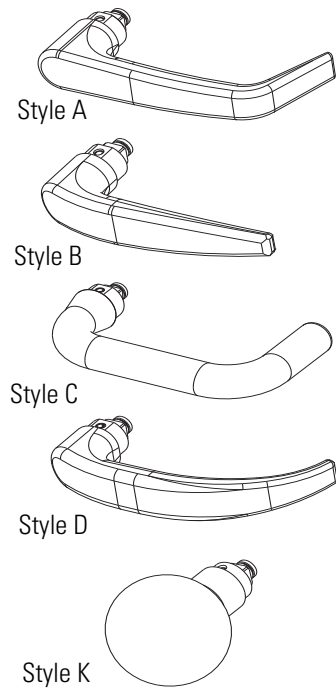


Figure 3.3 4900 Series Levers

Item	Part Number	Description	Qty	Lever Style
	02721-04 *	Complete Lever Kit		A -RHRB
	02722-04 *			A-LHRB
	02723-04 *			B-RHRB
	02724-04 *			B-LHRB
	02725-04 *			C-RHRB
	02726-04 *			C-LHRB
	02727-04 *			D-RHRB
	02728-04 *			D-LHRB
	02729-04 *			K
1	00646-04 *	Lever	1	A
	00647-04 *		1	B
	00648-04 *		1	C
	00649-04 *		1	D
	00650-04 *		1	K
2	01727-39	Lever Washer	1	All
3	01696-39	Trim Sleeve Bushing	1	All
4	01455-39	Beam	1	All
5	00617-91	Retaining Ring	1	All



* Specify finish when ordering these parts.

All trim is field reversible. See installation instructions for further details.

4900 YOKES AND SPRINGS

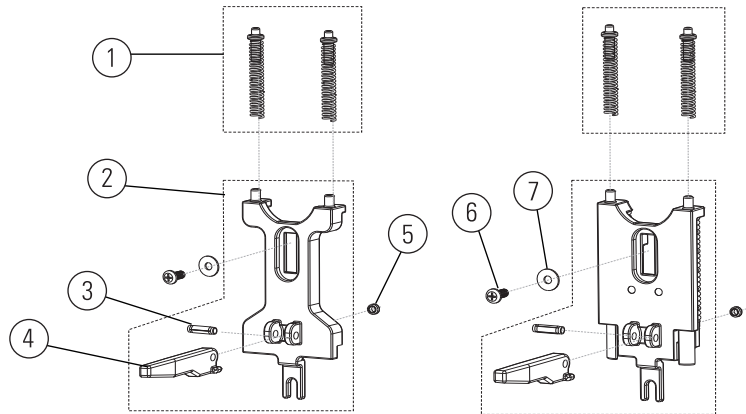


Figure 3.4 4900 Yoke and Springs (Operational Yoke left, Vandal Yoke right)

Item	Part Number	Description	Qty	Trim Model	Hand		Door thickness	
					RHRB	LHRB	1¾ to 2¼	2½ to 4
	02730-04	Complete Yoke Kit	1	4908, 4914			■	
	02731-04		1	V4908			■	
	02734-04		1	M4908	■		■	
	02735-04		1	M4908		■	■	
	02736-04		1	MV4908	■		■	
	02737-04		1	MV4908		■	■	
	02744-04		1	4908 Extension				■
	02745-04		1	V4908 Extension				■
1	02738-04	Complete Lever Spring Kit	1	All 4900 yokes				
2	01971-04	Yoke Assembly	1	4908, 4914			■	
	02181-04		1	V4908			■	
	01973-04		1	M4908	■		■	
	02740-04		1	M4908		■	■	
	02183-04		1	MV4908	■		■	
	02741-04		1	MV4908		■	■	
	02742-04		1	4908 Extension				■
	02743-04		1	V4908 Extension				■
3	00671-90	Groove Pin, .188 X.75	1	All 4900 yokes				
4	01075-39	Trim Finger	1	4908, V4908, 4914				
	01977-04		1	Extension yokes				■
	00414-39		1	M4908, MV4908				
5	01456-39	Beam Roller	1	All 4900 yokes				
6	00509-91	Screw, #10-24 X 1/2 PPHMS	1	All 4900 yokes				
7	01520-91	Washer, #10 Flat	1	All 4900 yokes				

2000 TRIM

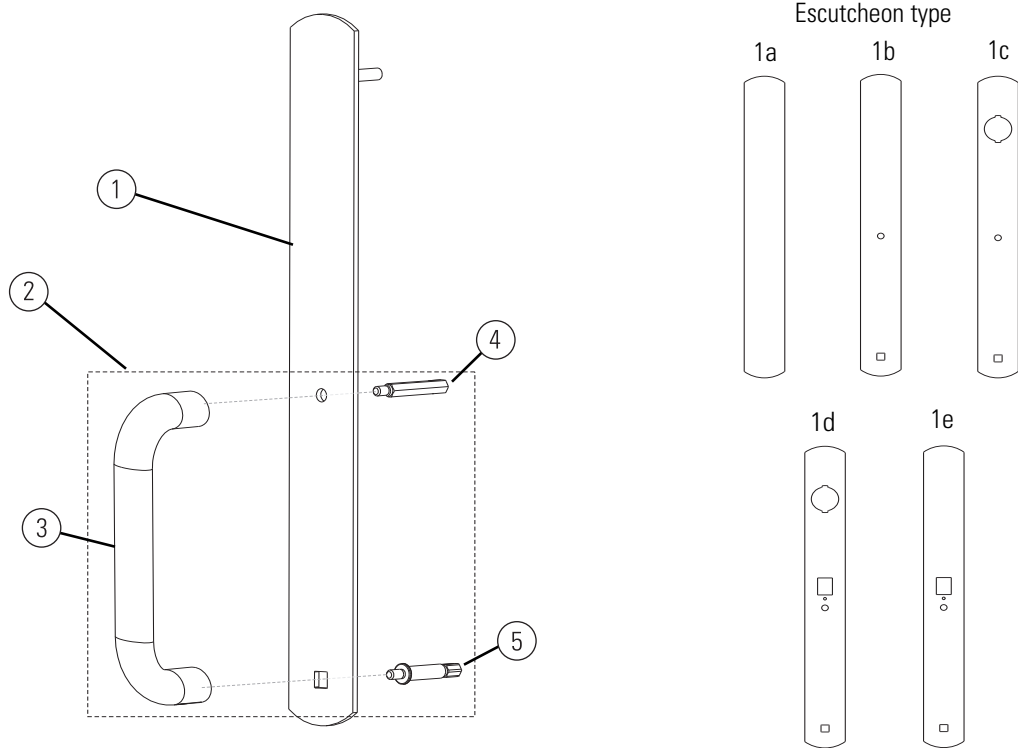


Figure 3.5 2000 Escutcheon and Grip

Item	Part Number	Description	Qty	Trim Model	Escutcheon Type
1	00568-04 *	2000 Escutcheon	1	2001	1a
	00567-04 *		1	2002	1b
	00569-04 *		1	2003	1c
	00571-04 *		1	2005	1d
	00573-04 *		1	2015	1e
2	01362-04 *	Grip C Kit (includes items 3, 4, and 5)	1	2000	
3	00324-54 *	C Grip	1		
4	00233-50	Stud, Hex	1		
5	00222-50	Stud, Trim	1		

* Specify finish when ordering these parts.

The 2000 Trim is used standard on all 2400 models of Apex Exit Devices with pull trim, and optional on the 2100, 2200, 2300 and 2700.

2900 ESCUTCHEONS

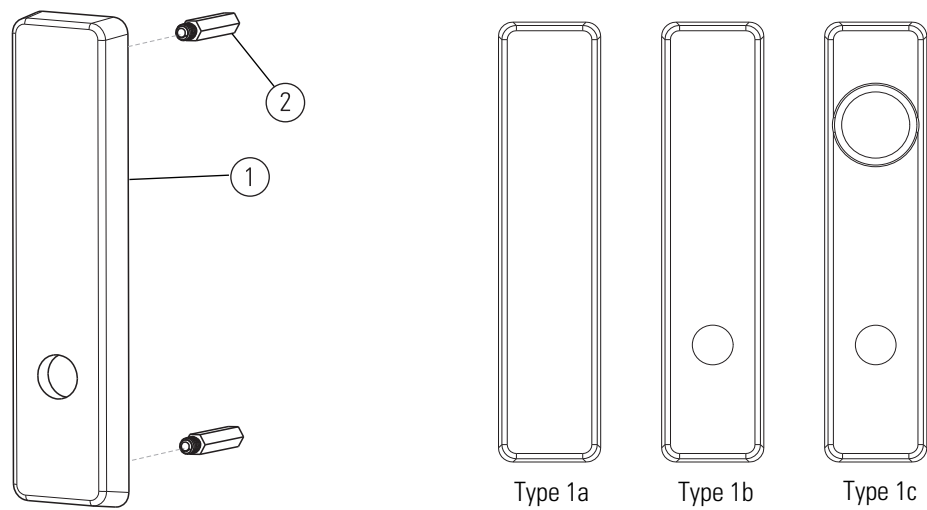


Figure 3.6 2900 Series Escutcheons

Item	Part Number	Description	Qty	Type	Trim Model
	02751-04 *	Complete Escutcheon Kit			2901
	02752-04 *				2902, 2914
	02753-04 *				2903, 2908
1	01630-29 *	Escutcheon	1	1a	2901
	01631-29 *		1	1b	2902, 2914
	01562-29 *		1	1c	2903, 2908
2	02086-29	Hex Stud 2900 Trim	2		All 2900 models

* Specify finish when ordering these parts.

The 2900 Trim is used standard on all 2400 and 2600 models of Apex Exit Devices specified with lever trim.

2900 LEVERS

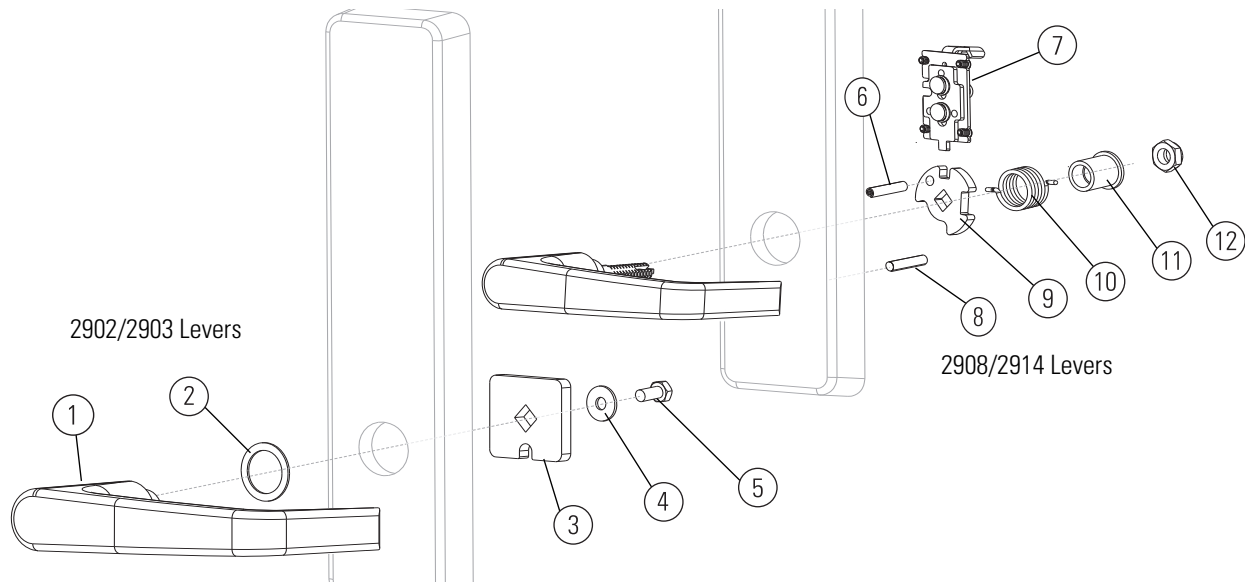


Figure 3.7 2900 Series Levers

Item	Part		Qty	Trim Model	Lever Style	Hand		
	Number	Description				RHRB	LHRB	
	02826-04 *	Complete Lever Kit		2902, 2903	A	■		
	02827-04 *			2902, 2903	A		■	
	02828-04 *			2902, 2903	B	■		
	02829-04 *			2902, 2903	B		■	
	02830-04 *			2902, 2903	C	■		Style A
	02831-04 *			2902, 2903	C		■	
	02832-04 *			2902, 2903	D	■		Style B
	02833-04 *			2902, 2903	D		■	
	02834-04 *			2908, 2914	A	■		Style C
	02835-04 *			2908, 2914	A		■	
	02836-04 *			2908, 2914	B	■		Style D
	02837-04 *			2908, 2914	B		■	
	02838-04 *			2908, 2914	C	■		
	02839-04 *			2908, 2914	C		■	
	02840-04 *			2908, 2914	D	■		
	02841-04 *			2908, 2914	D		■	

Item	Part			Trim Model	Lever Style	Hand	
	Number	Description	Qty			RHRB	LHRB
1	01599-04 *	Lever Assembly		2902, 2903	A		
	01600-04 *			2902, 2903	B		
	01601-04 *			2902, 2903	C		
	01602-04 *			2902, 2903	D		
	01595-04 *			2908, 2914	A		
	01593-04 *			2908, 2914	B		
	01594-04 *			2908, 2914	C		
	01596-04 *			2908, 2914	D		
2	01567-91	Washer, Delrin .695 ID X 1.00 OD	1	2902, 2903	All		
3	01568-29	Lever Lock	1	2902, 2903	All		
4	01520-91	Washer, #10 Flat	1	2902, 2903	All		
5	01608-91	Screw, #10-24 X 3/8 Hex Head Machine	1	2902, 2903	All		
6	01627-90	Spiral Pin, 3/16 X 3/4	1	2908, 2914	All		
7	01578-04	2908 Mechanism	1	2908 only			
8	00382-90	Roll Pin, 1/8 X 7/8	1	2908, 2914	All		
9	01565-29	Lock Out Ring, 2900 Trim	1	2908, 2914	All		
10	01575-89	Spring, Torsion, 2900 Trim	1	2908, 2914	A, B, D		
	01586-89		1	2908, 2914	C		
11	01587-29	Mandrel	1	2908, 2914	All		
12	01625-91	Nut, Hex 3/8-24 W/nylon	1	2908, 2914	All		

* Specify finish when ordering these parts.

All trim is field reversible. See installation instructions for details.

1700 TRIM

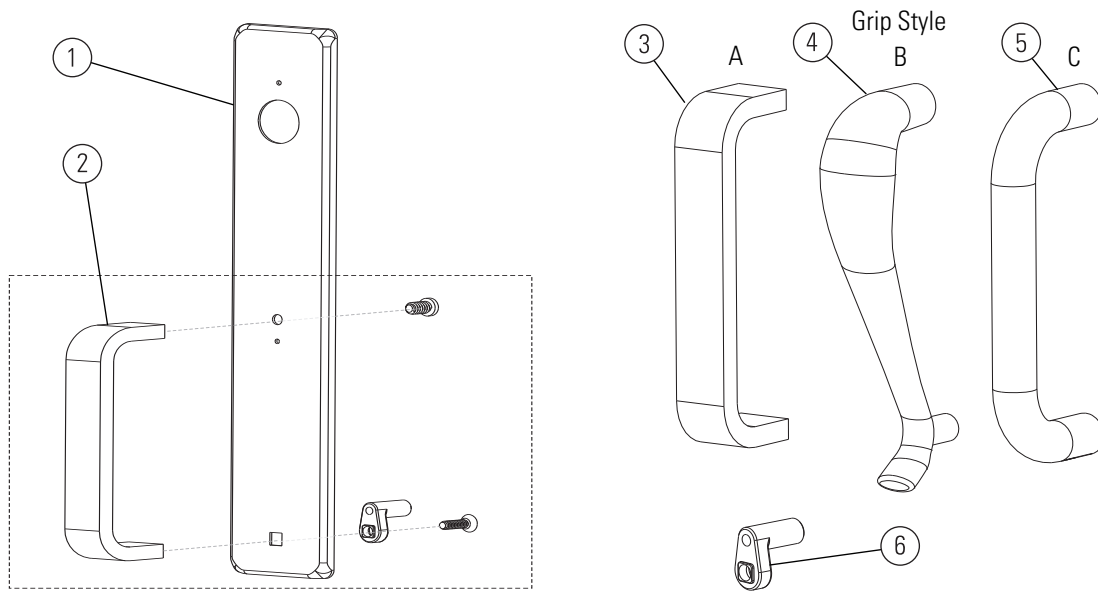


Figure 3.8 1700 Escutcheon and Grip

Item	Part Number	Description	Qty	Trim Model	Grip Style		
					A	B	C
1	05510-04 *	1700 Trim Plate	1	1701			
	05511-04 *		1	R1701			
	05512-04 *		1	C1700			
	055130-04 *		1	1702, C1702	■		■
	05514-04 *		1	R1702	■		■
	05515-04 *		1	1702, C1702		■	
	05516-04 *		1	R1702		■	
	05517-04 *		1	1703	■		■
	05518-04 *		1	C1703		■	
	05527-04 *		1	R1703	■		■
	05528-04 *		1	R1703		■	
	05519-04 *		1	1705, M1705, C1705	■		■
	05520-04 *		1	R1705	■		■
	05521-04 *		1	1705, M1705, C1705		■	
	05522-04 *		1	R1705		■	
	05523-04 *		1	1715, M1715, C1715	■		■
	05524-04 *		1	R1715	■		■
	05524-04 *		1	1715, M1715, C1715		■	
	05526-04 *		1	R1715		■	

Item	Part Number	Description	Qty	Trim Model	Grip Style		
					A	B	C
2	01351-04 *	Grip Kit (includes hardware)	1	1700	■		
	01352-04 *		1	1700			■
	01353-04 *		1	M1700	■		
	01354-04 *		1	M1700			■
	01355-04 *		1	R1700	■		
	01356-04 *		1	R1700			■
	01357-04 *		1	1700		■	
	01358-04 *		1	M1700		■	
	01359-04 *		1	C1700		■	
	02756-04 *		1	C1700 - RHRB	■		
	02757-04 *		1	C1700 - LHRB	■		
	02758-04 *		1	C1700 - RHRB			■
	02759-04 *		1	C1700 - LHRB			■
	3	00323-54 *	A Grip	1		■	
4	00322-54 *	B Grip	1			■	
5	00324-54 *	C Grip	1				■
6	00954-54	Trim Stud	1		■		■

*Specify finish when ordering these parts.

1700 Series Trim is used on all 2100, 2200, 2300, 2700 and 2800 models of PHI Apex Exit Devices.

4

FINISHED PARTS

Finished Parts To order replacement trim components, please note which function your exit device performs, and what type of finish is on it.

ANSI Function	Description
01	Exit only (cover plate)
02	Dummy trim
03	Key retracts latchbolt
05	Key locks/unlocks thumb piece
08	Key locks/unlocks lever/knob
10	Double cylinder - inside key locks/unlocks lever
14	No cylinder - lever/knob always active
15	No cylinder - thumbpiece always active

ANSI/BHMA	US	Description
605	US3	Polished Brass, Clear Coated
606	US4	Satin Brass, Clear Coated
612	US10	Satin Bronze, Clear Coated
613	US10B	Dark Oxidized Satin Bronze
625	US26	Polished Chromium Plated
626	US26D	Satin Chrome Plated
628	US28	Satin Aluminum, Clear Anodized
630	US32D	Satin Stainless Steel

If you need replacements for units rated for fire (FL), hurricane compliance (HC), or delayed egress (DE), contact your Stanley Security Solution dealer or call direct to 1-800-392-5209.

COMMON FINISHED PARTS

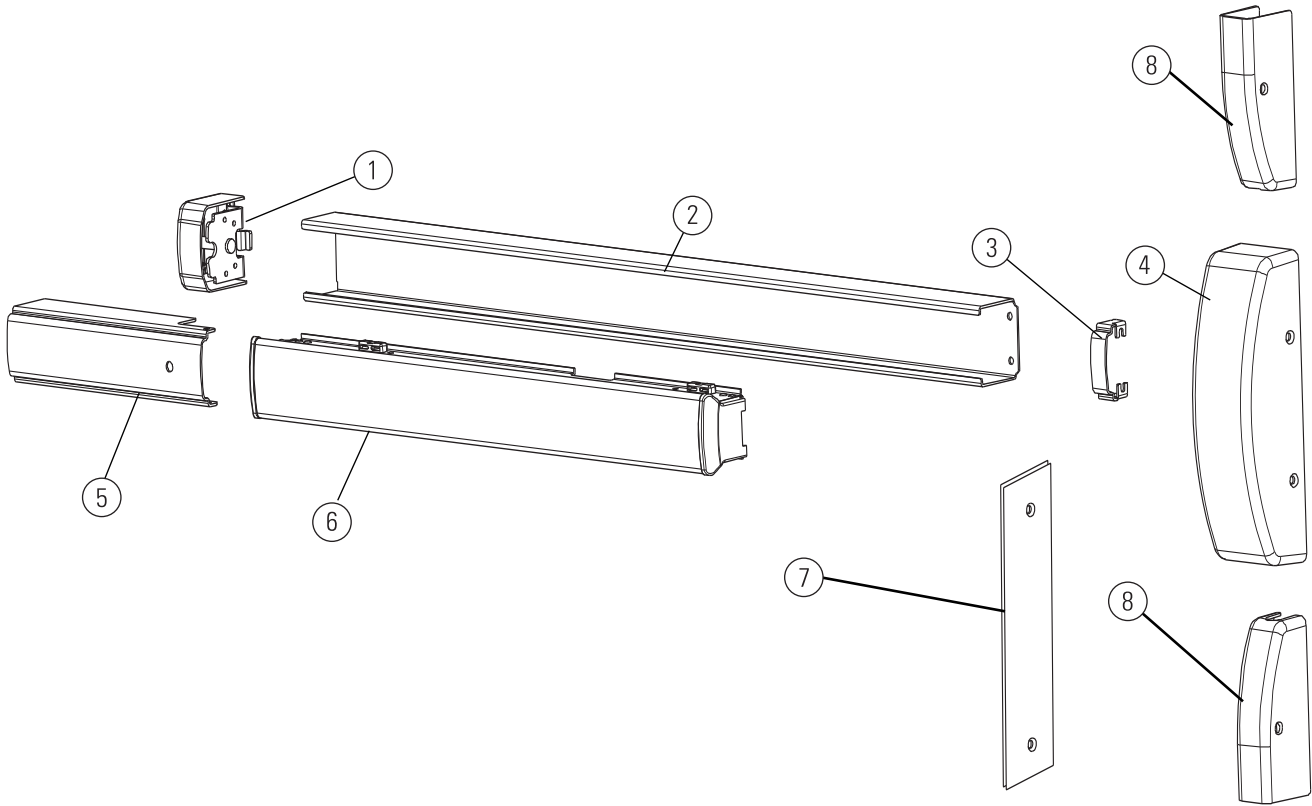


Figure 4.1 Overview of common finished parts

Item	Part Number	Description	Qty
1	See page 4-4.	Endcap Device	1
2	See page 4-4.	Device Channel	1
3	02306-01 *	Lock Side Filler Kit (includes hardware)	1
4	See page 4-7.	Active Case Cover	1
5	See page 4-5.	Hinge Filler	1
6	See page 4-4.	Touchpad Sub-Assembly	1
7	03244-09 *	Lock Front Filler Kit 2700 (includes hardware)	1
8	01011-03 *	Latch Cover Kit (includes hardware)	2

*Specify finish when ordering these parts.

If you need replacements for units rated for fire (FL), hurricane compliance (HC), or delayed egress (DE), contact your Stanley Security Solution dealer or call direct to 1-800-392-5209.

ENDCAPS

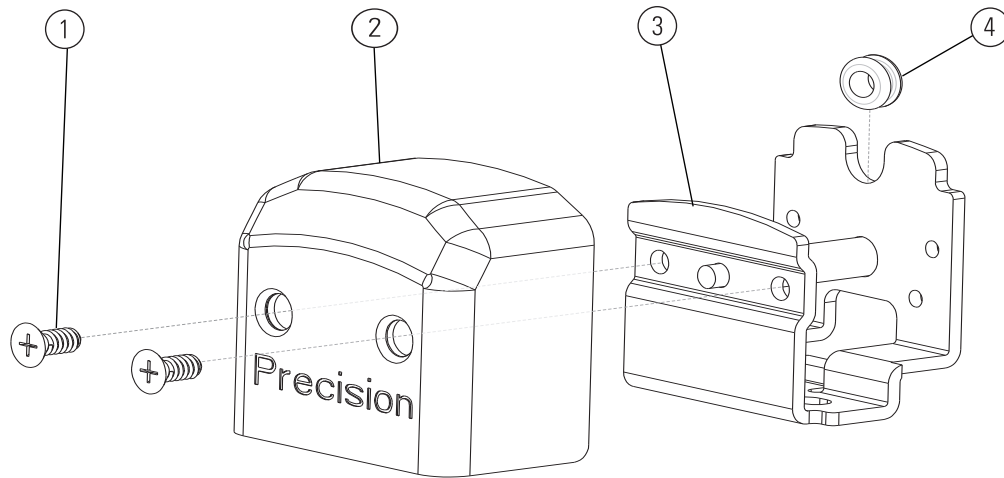


Figure 4.2

Item	Part Number	Description	Qty	Used on		
				Wide	Narrow	Electric
	00775-02 *	Endcap Device (includes cover, bracket and hardware)	1	■		
	00777-02 *		1		■	
	03304-02 *		1	■		■
	03305-02 *		1		■	■
1	02104-09 *	Screw Pack, Endcap Screws (2 screws)	1	■	■	■
2	00270-52 *	Endcap Cover	1	■		
	00149-52 *		1		■	
3	00305-02	Endcap Mounting Bracket	1	■		
	00591-02		1		■	
4	01723-56	Grommet (Electric <i>only</i>)	1	■	■	■

*Specify finish when ordering these parts.

If you need replacements for units rated for fire (FL), hurricane compliance (HC), or delayed egress (DE), contact your Stanley Security Solution dealer or call direct to 1-800-392-5209.

ENDCAPS, CHANNELS, AND TOUCHPADS

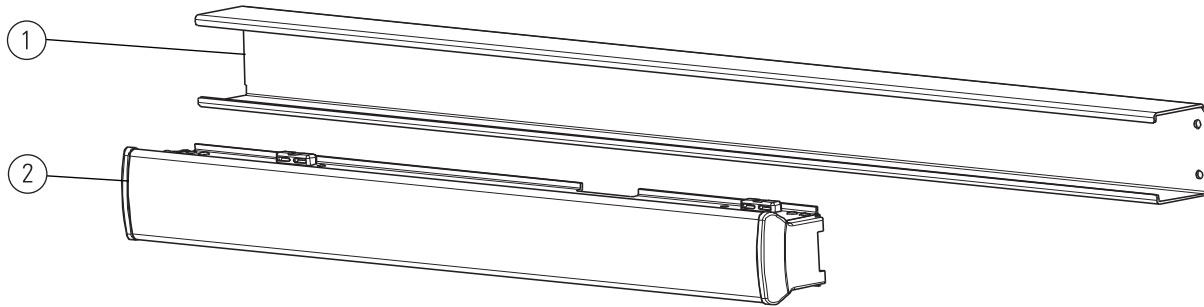


Figure 4.3 Endcaps, channels, and touchpads

Item	Part Number	Description	Qty	Wide	Narrow	2 ft 6 in	3 ft	4 ft
1	00120-52	Device Channel	1	■			■	
	00121-52		1	■		■		
	00122-52		1	■				■
	00128-52		1		■		■	
	00130-52		1		■			■
2	00157-02	Touchpad Sub-assembly	1	■	■		■	
	00158-02		1	■		■		
	00159-02		1	■	■			■

Specify finish when ordering these parts.

HINGE FILLERS

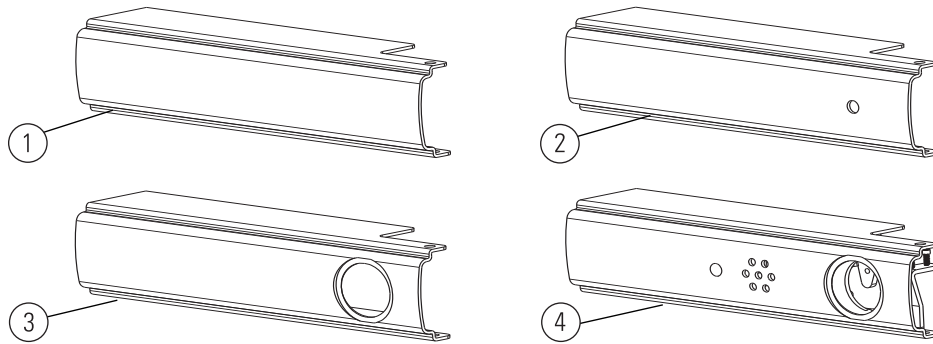


Figure 4.4 Basic hinge filler styles

Item	Part Number	Description	Qty	Wide	Narrow	2 ft 6 in	3 ft	4 ft
1	00236-52 *	Plain Hinge Filler	1	■		■	■	
	00237-52 *		1	■				■
	00238-52 *		1		■		■	
	00239-52 *		1		■			■
2	00240-52 *	Hex Hinge Filler	1	■		■	■	
	00241-52 *		1	■				■
	00242-52 *		1		■		■	
	00243-52 *		1		■			■
3	00489-02 *	CD Hinge Filler (includes hardware)	1	■		■	■	
	00490-02 *		1	■				■
	00929-02 *		1		■		■	
	00930-02 *		1		■			■
4	00491-06 *	Alarm- ALK Filler (includes alarm and hardware)	1	■		■	■	
	00492-06 *		1	■				■
	00586-06 *		1		■		■	
	00587-06 *		1		■			■
	00493-06 *	Alarm - ALW Filler (includes alarm and hardware)	1	■		■	■	
	00494-06 *		1	■				■
	00588-06 *		1		■		■	
	00589-06 *		1		■			■
Not shown	00220-93	Dogging Key (optional)	1	■	■	■	■	■
	02105-09	Cylinder Dogging Attachment Kit (includes collar, cylinder locating washer, and lock nut)	1	■	■	■	■	■

* Specify finish when ordering these parts.

ALARM HINGE FILLERS

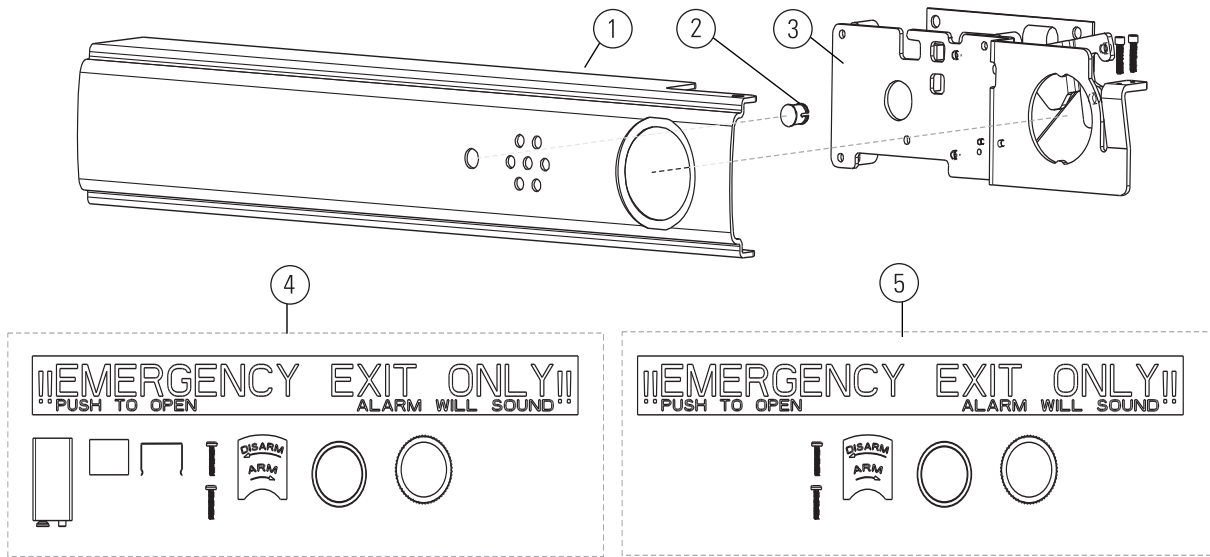


Figure 4.5 Alarm hinge filler parts

Item	Part Number	Description	Qty	ALK	ALW
1	00248-52 *	Hinge Filler for 00491-06	1	■	
	00249-52 *	Hinge Filler for 00492-06	1	■	
	00250-52 *	Hinge Filler for 00586-06	1	■	
	00251-52 *	Hinge Filler for 00587-06	1	■	
	00249-52 *	Hinge Filler for 00494-06	1		■
	00248-52 *	Hinge Filler for 00493-06	1		■
	00250-52 *	Hinge Filler for 00588-06	1		■
	00251-52 *	Hinge Filler for 00589-06	1		■
2	01460-56	Lens, LED	1	■	■
	3	00699-06	Alarm Chassis Assembly	1	■
00899-06		Alarm Chassis Assembly	1		■
4	02310-09 *	Hardware Pack	1	■	
5	02309-09 *	Hardware Pack	1		■

* Specify finish when ordering these parts.



Item	Part Number	Description	Qty
1	00872-92	“Emergency Exit Only” Label	1
2	00672-92	“Arm/Disarm” Label	1

ACTIVE CASE COVERS

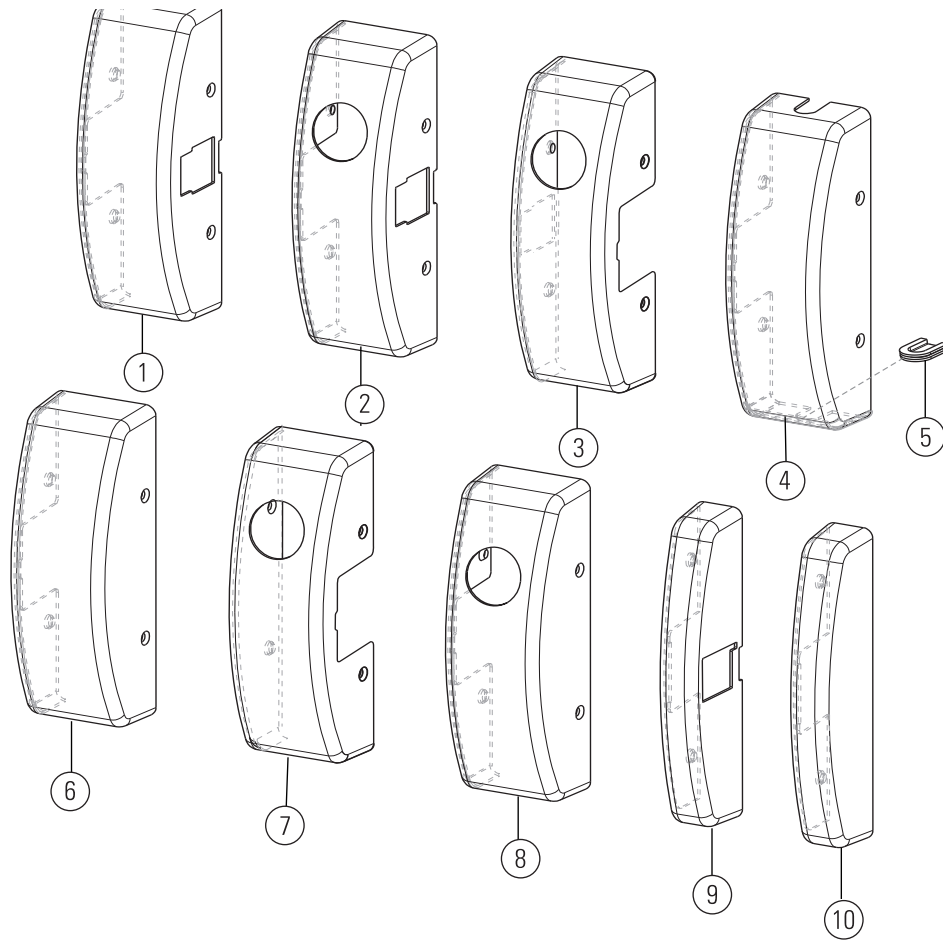


Figure 4.6 Apex Active Case covers -- includes mounting hardware.

Item	Part Number	Description	Qty
1	02281-01	2100 Cover Kit	1
2	02285-01	2110 LHRB Cover Kit	1
3	02283-01	2110 RHRB Cover Kit	1
4	02287-01	2200 Cover Kit	1
5	05124-51	LBR Cover Plug	1
6	02464-01	2300/2700/2800 Cover Kit	1
7	02468-01	2310 LHRB Cover Kit	1
8	02466-01	2310 RHRB Cover Kit	1
9	02470-01	2400 Cover Kit	1
10	02472-01	2600 Cover Kit	1

Specify finish when ordering these parts.

If you need replacements for units rated for fire (FL), hurricane compliance (HC), or delayed egress (DE), contact your Stanley Security Solution dealer or call direct to 1-800-392-5209.

5

TOUCHBAR COMPONENTS

This chapter provides diagrams and part numbers for the components of various touchbar mechanisms associated with Apex 2000 Exit Devices. Please read through all the options to ensure you select the proper part for your unit.

SPRING TOUCHBAR COMPONENTS

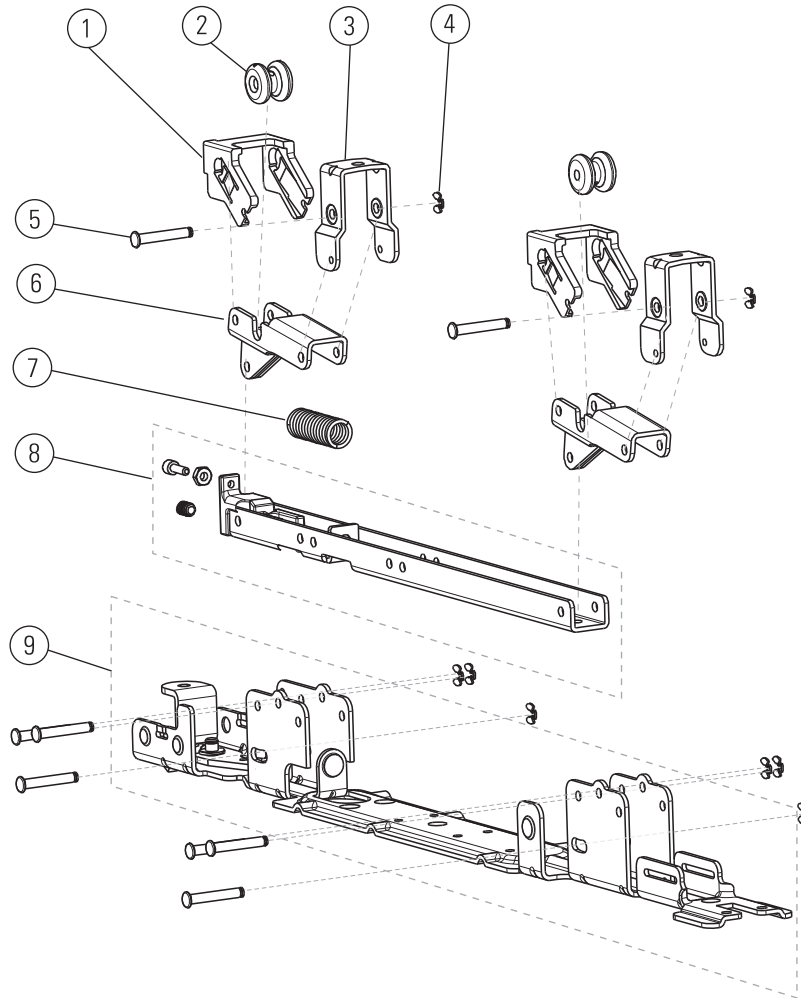


Figure 5.1 Spring type mechanism

Item	Part Number	Description	Qty	Door Width			Dogging Type		
				2 ft 6 in	3 ft	4 ft	Hex	CD	FL
	00163-02	Complete Touchbar Mechanism			■		■		
	00164-02				■				■
	00165-02				■			■	
	00166-02			■			■		
	00167-02			■					■
	00168-02			■				■	
	00169-02					■	■		
	00170-02					■			■
	00171-02					■		■	

Item	Part Number	Description	Qty	Door Width			Dogging Type			
				2 ft 6 in	3 ft	4 ft	Hex	CD	FL	
1	02130-52	Touchbar Guide	2	■	■	■	■	■	■	
2	00110-52	Bumper	2	■	■	■	■	■	■	
3	00108-52	Bracket, Touchbar	2	■	■	■	■	■	■	
4	00228-91	Retaining Ring	8	■	■	■	■	■	■	
5	00449-90	Pin, Pivot	8	■	■	■	■	■	■	
6	00111-52	Beam	2	■	■	■	■	■	■	
7	00131-89	Spring, Touchbar	1	■	■	■	■	■	■	
8	00703-02	Dogging Channel Assembly	1	■			■	■	■	
	00702-02		1		■		■	■	■	
	00701-02		1			■	■	■	■	
9	05301-02	Sub-Bracket Assembly	1		■		■			
	05302-02		1		■			■		
	05303-02		1	■			■			
	05304-02		1	■				■		
	05305-02		1			■	■			
	05306-02		1			■		■		
	05290-52		(Bracket only)	1	■					■
	05291-52			1		■				■
	05292-52			1			■			■

NOTE: Fire rated equipment may never be mechanically dogged.

If you need replacements for units rated for hurricane compliance (HC) or delayed egress (DE), contact your Stanley Security Solution dealer or call direct to 1-800-392-5209.

SOLENOID (ELR) TOUCHBAR COMPONENTS

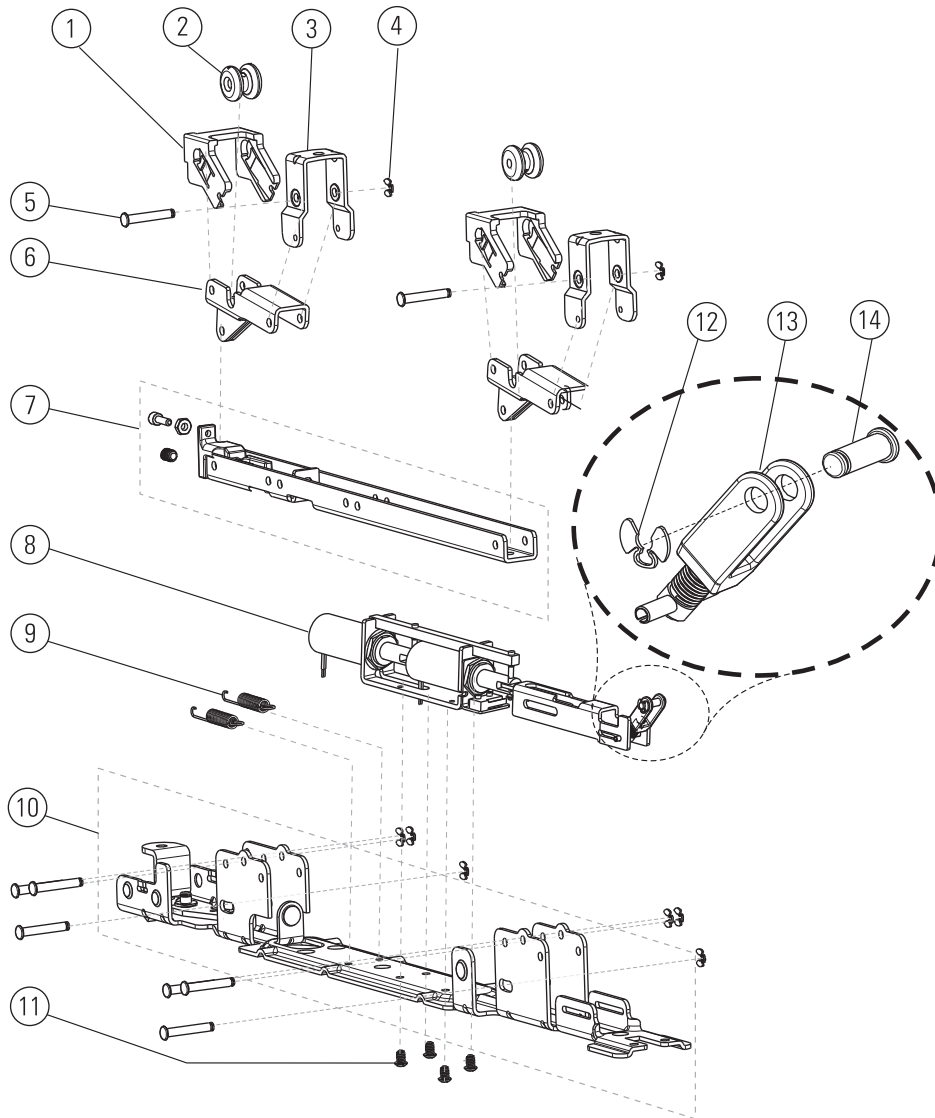


Figure 5.2 ELR Touchbar Mechanism

Item	Part Number	Description	Qty	Stile		Door Width		Dogging Type		
				Wide	Nar.	3 ft	4 ft	Hex	CD	FL
	00172-02	ELR Complete Touchbar Mechanism		■		■		■		
	00173-02			■		■				■
	00174-02			■		■			■	
	00175-02			■			■	■		
	00176-02			■			■			■
	00177-02			■			■		■	
	00892-02				■	■		■		
	00893-02				■	■				■

Item	Part Number	Description	Qty	Stile		Door Width		Dogging Type		
				Wide	Nar.	3 ft	4 ft	Hex	CD	FL
	00894-02				■	■			■	
	00895-02				■		■		■	
	00896-02				■		■			■
	00897-02				■		■		■	
1	02130-52	Touchbar Guide	2	■	■	■	■	■	■	■
2	00110-52	Bumper	2	■	■	■	■	■	■	■
3	00108-52	Bracket, Touchbar	2	■	■	■	■	■	■	■
4	00228-91	Retaining Ring	8	■	■	■	■	■	■	■
5	00449-90	Pin, Pivot	8	■	■	■	■	■	■	■
6	00111-52	Beam	2	■	■	■	■	■	■	■
7	00915-06	Dogging Channel Assembly	1	■	■	■		■	■	■
	00916-06		1	■	■		■	■	■	■
8	00525-06	Solenoid/Linkage Assembly	1	■		■	■	■	■	■
	00639-06		1		■	■	■	■	■	■
9	00844-89	Spring, ELR Touchbar	2	■	■	■		■	■	■
	00131-89		1	■	■		■	■	■	■
10	05305-02	Hex/cyl Sub-bracket Assembly	1	■	■		■	■		
	05306-02		1	■	■		■		■	
	05307-02		1	■	■	■		■		
	05308-02		1	■	■	■			■	
	05291-52	(Bracket only)	1	■	■	■				■
	05292-52	(Bracket only)	1	■	■		■			■
11	00416-91	Screw, #8-32 X .275	4	■	■	■	■	■	■	■
12	00228-90	Retaining Ring, shaft	1	■	■	■	■	■	■	■
13	00681-06	Yoke Assembly, ELR	1	■	■	■	■	■	■	■
14	01922-90	Pin, Link - ELR	1	■	■	■	■	■	■	■

NOTE: Fire rated equipment may never be mechanically dogged.

If you need replacements for units rated for hurricane compliance (HC) or delayed egress (DE), contact your Stanley Security Solution dealer or call direct to 1-800-392-5209.

SUB-BRACKET ASSEMBLY

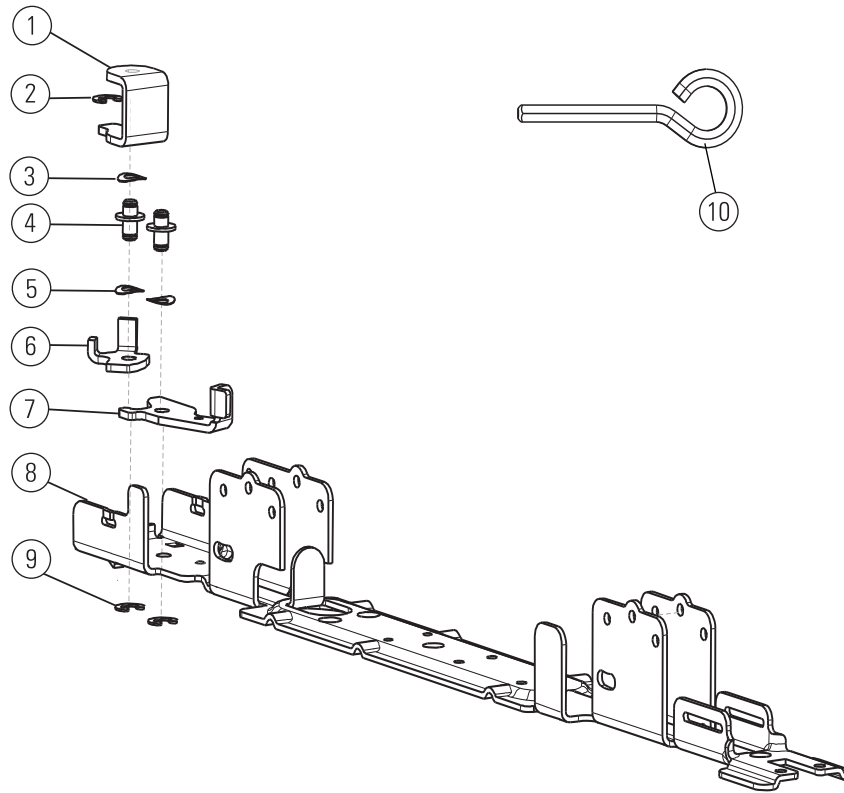


Figure 5.3 Sub-bracket assembly for hex and cylinder dogging units only.

Item	Part Number	Description	Qty	Door Width			Dogging Type	
				2 ft 6 in	3 ft	4 ft	Hex	CD
1	00115-52	Bracket, Hex Key	1	■	■	■	■	
2	00254-91	E-clip, .250 dia Shaft	1	■	■	■	■	
3	00253-91	1/4 Curved Spring Washer	1	■	■	■	■	
4	00252-52	Dogging Fastener	2	■	■	■	■	■
5	00253-91	1/4 Curved Spring Washer	2	■	■	■	■	■
6	00116-52	Dogging Cam	1	■	■	■	■	■
7	00114-52	Dogging Hook	1	■	■	■	■	■
8	05290-52	Consolidated Subplate	1	■			■	■
	05291-52		1		■		■	■
	05292-52		1			■	■	■
9	00254-91	E-clip, .250 dia Shaft	2	■	■	■	■	■
10	00220-93	Dogging Key	1	■	■	■	■	■

NOTE: Fire rated equipment may never be mechanically dogged.

6

ACTIVE CASE ASSEMBLIES

This chapter provides diagrams and part numbers for the active case (chassis) used on the various PHI Apex 2000 Exit Devices. Reference the chart on page 6-2 to find all the correct parts to your active case.

COMPLETE ACTIVE CASE ASSEMBLIES

For all backplate assemblies see page 6-15.

All Active Case Assemblies include the 02306-01 Lock Side Filler Kit. See page 4-2.

Assembly	Model Description	Hand		Active Case Sub-assembly	See page								Backplate		
		RHRB	LHRB		6-4	6-5	6-6	6-8	6-10	6-11	6-12	6-13		6-14	
00867-01	21 Active Case Assembly	■	■	02271-01	■										00842-01
01216-01	21F Active Case Assembly	■	■	02272-01	■										00842-01
02570-01	2103 Active Case Assembly		■	02271-01	■										00369-01
00335-01		■		02271-01	■										00369-01
02571-01	2103F Active Case Assembly		■	02272-01	■										00369-01
00339-01		■		02272-01	■										00369-01
02582-01	2108 Active Case Assembly		■	02271-01	■										00832-01
00336-01		■		02271-01	■										00832-01
02583-01	2108F Active Case Assembly		■	02272-01	■										00832-01
00340-01		■		02272-01	■										00832-01
02594-01	2110 Active Case Assembly		■	02271-01	■	■									00369-01
00338-01		■		02271-01	■	■									00369-01
02595-01	2110F Active Case Assembly		■	02272-01	■	■									00369-01
00342-01		■		02272-01	■	■									00369-01
02618-01	22 Active Case Assembly		■	02561-01			■								00842-01
01085-01		■		02273-01			■								00842-01
02619-01	22LBR Active Case Assembly		■	02562-01			■								00842-01
01993-01		■		02316-01			■								00842-01
02606-01	2203 Active Case Assembly		■	02561-01			■								00370-01
00476-01		■		02273-01			■								00370-01
02607-01	2203LBR Active Case Assembly		■	02562-01			■								00370-01
00478-01		■		02316-01			■								00370-01
02608-01	2208 Active Case Assembly		■	02561-01			■								00833-01
00477-01		■		02273-01			■								00833-01
02609-01	2208LBR Active Case Assembly		■	02562-01			■								00833-01
00479-01		■		02316-01			■								00833-01
02610-01	2300 Active Case Assembly		■	02563-01				■							N/A
00482-01		■		02274-01				■							N/A
02611-01	2310 Active Case Assembly (with mortise kit)		■	02563-01 00834-01				■		■					N/A
00483-01		■		02274-01 00834-01				■		■					N/A

Assembly	Model Description	Hand		Active Case Sub-assembly	See page								Backplate		
		RHRB	LHRB		6-4	6-5	6-6	6-8	6-10	6-11	6-12	6-13		6-14	
00498-01	2400 Active Case Assembly	■	■	N/A							■				N/A
00499-01	2400F Active Case Assembly	■	■	N/A							■				N/A
00500-01	2600 Active Case Assembly	■	■	N/A								■			N/A
02612-01	2703 Active Case Assembly		■	02564-01									■		00370-01
00501-01		■		02320-01									■		00370-01
02613-01	2708 Active Case Assembly		■	02564-01									■		00833-01
00502-01		■		02320-01									■		00833-01
02614-01	2803 Active Case Assembly		■	02565-01										■	00370-01
00503-01		■		02276-01										■	00370-01
02615-01	2808 Active Case Assembly		■	02565-01										■	00833-01
00504-01		■		02276-01										■	00833-01

2100 ACTIVE CASE SUB-ASSEMBLY

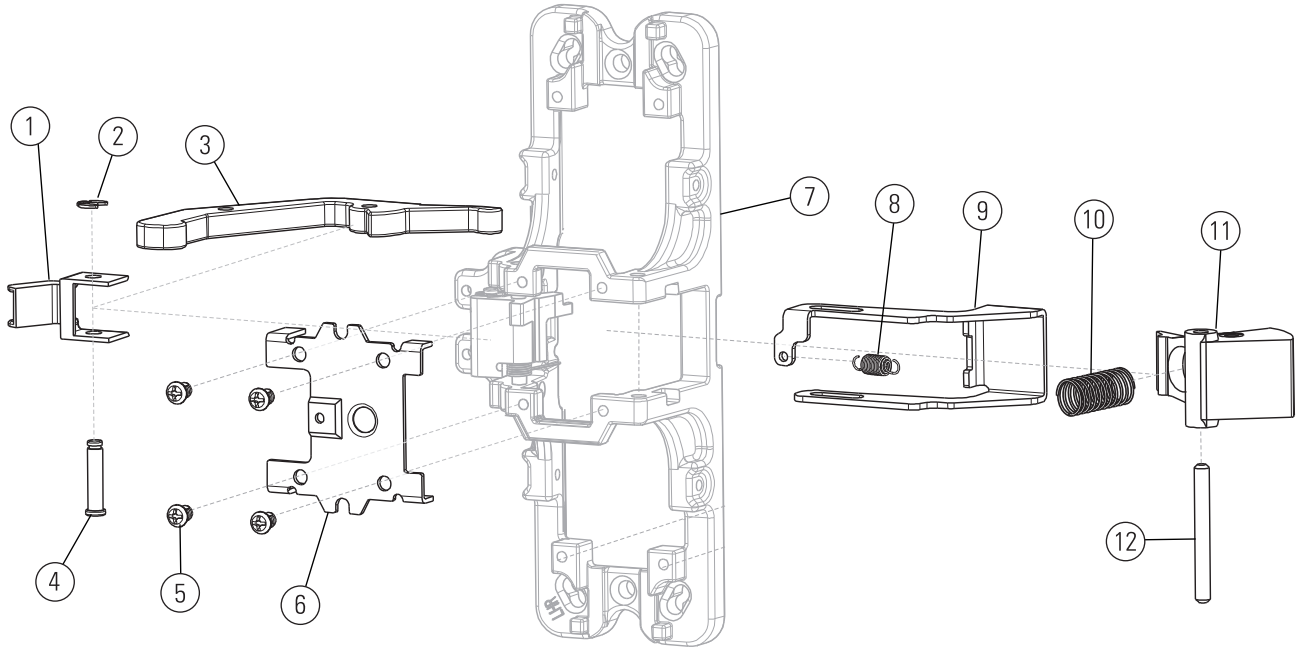


Figure 6.1 Basic 2100 Active Case -- RHRB shown

Item	Part Number	Description	Qty	02271-01	02272-01
	02271-01	2100 Complete Active Case Sub-assembly Assembly			
	02272-01	2100F Complete Active Case Sub-assembly Assembly			
1	00625-51	Touchbar Guard, Wide Stile	1	■	■
2	00228-91	Retaining Ring, Shaft	1	■	■
3	00279-51	Touch Bar Lever	1	■	■
4	00229-90	Pin, Pivot, Touchbar Lever	1	■	■
5	00416-91	Screw, #8-32 x .275	4	■	■
6	00151-51	Top Plate	1	■	■
7	N/A	Sold only as the complete assembly	1		
8	00146-89	Spring, Deadlock Release	1	■	■
9	00284-51	Deadlock Release	1	■	■
10	00385-89	Spring, Latchbolt	1	■	■
11	00226-51	Latchbolt	1	■	
	00295-01	Fire Latchbolt Assembly	1		■
12	00154-90	Latchbolt Pivot Pin, Rim	1	■	■

2110 AUXILIARY PARTS

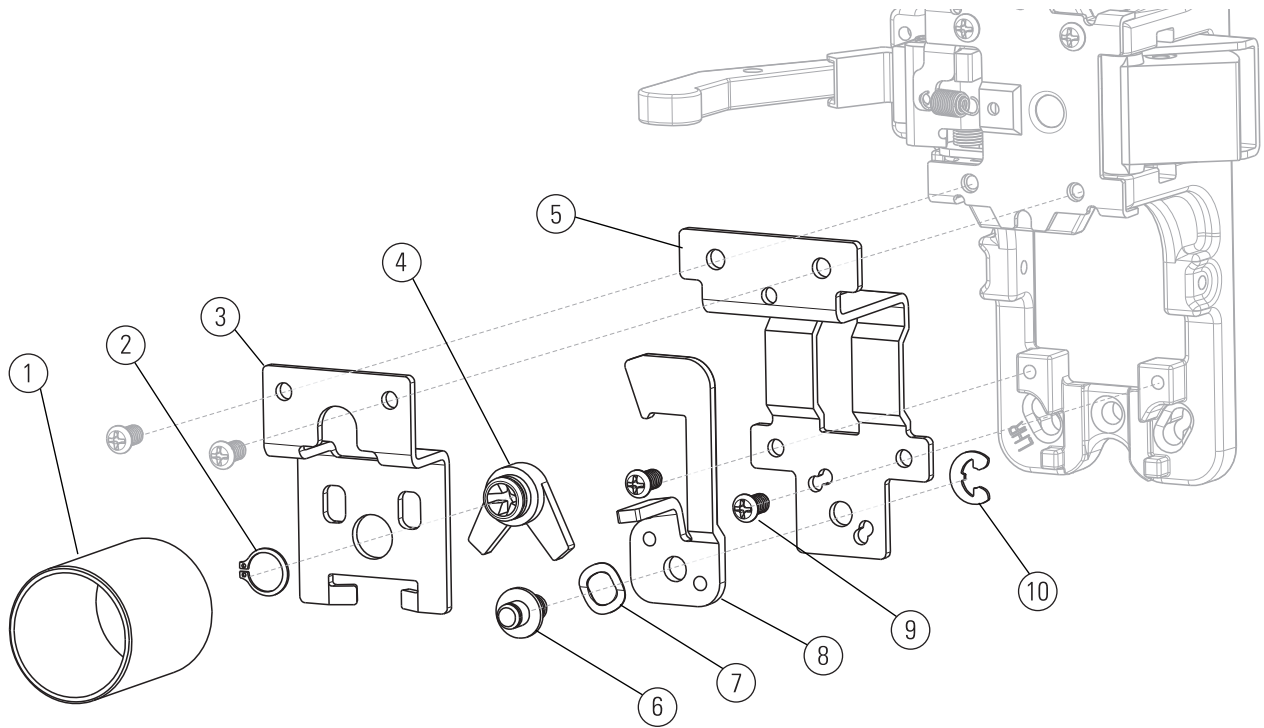


Figure 6.2 Auxiliary parts for 2110 Mortise

Item	Part Number	Description	Qty
1	00827-51	Cylinder Sleeve - 10 Function	1
2	00412-91	Retaining Ring, .438 Shaft	1
3	00826-51	Cylinder Bracket - 10, Rim	1
4	00825-51	Cylinder Cam, 10 Function	1
5	00823-51	Locking Bracket	1
6	00252-52	Dogging Fastener	1
7	01868-91	Washer, Wave, .325 ID X .500 OD	1
8	00822-51	Locking Arm	1
9	00463-91	Screw, #8-32 X 3/8 PHMS	2
10	00254-91	E-clip, .250 dia Shaft	1
	00824-01	Cylinder Assembly 10 Function (includes items 1, 2, 3, and 4)	1
	00821-01	Trim Locking Assembly (includes items 5, 6, 7, 8 and 10)	1

2200 ACTIVE CASE SUB-ASSEMBLY

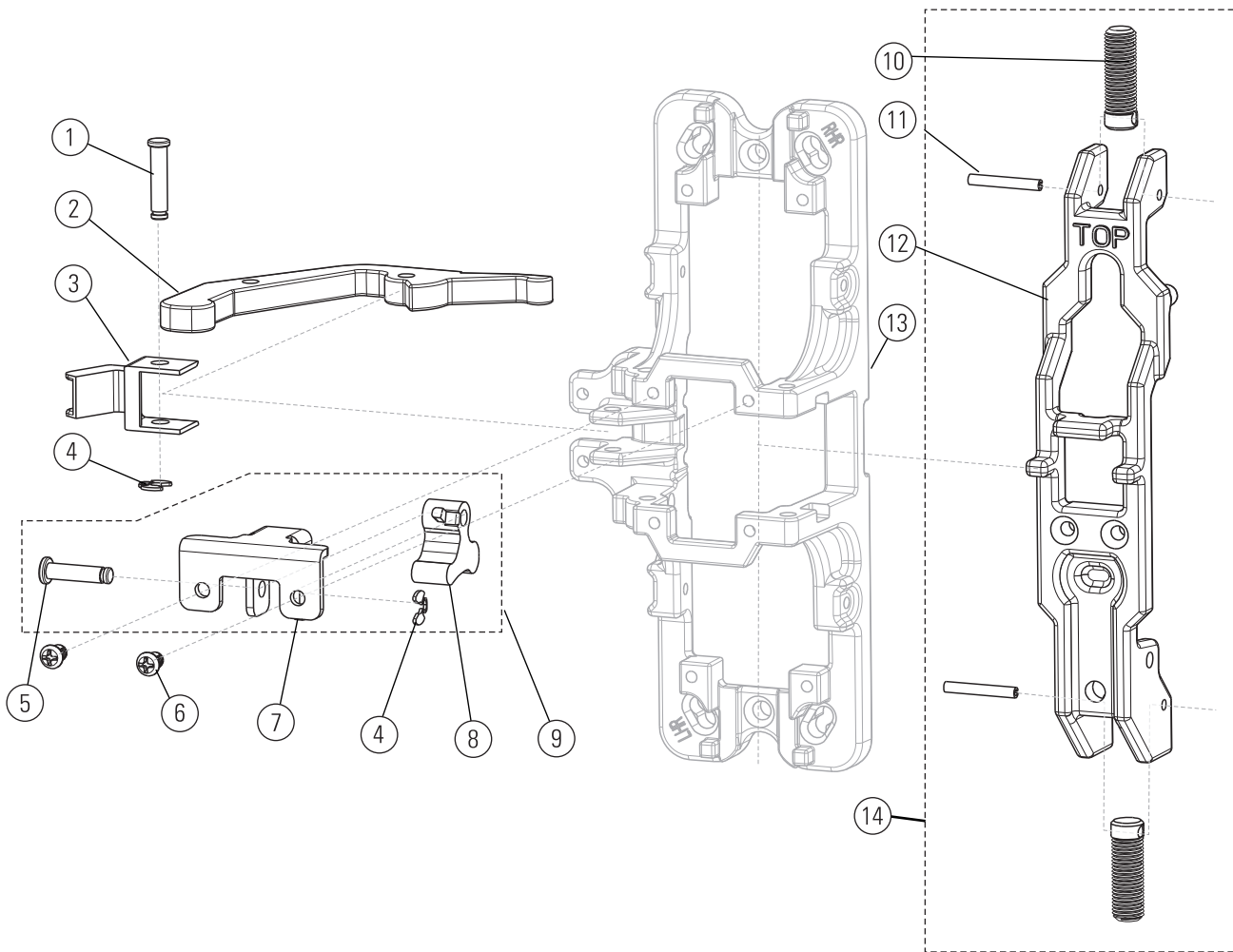


Figure 6.3 Basic Active Case for a wide surface vertical rod model - RHRB shown

Item	Part Number	Description	Qty
	02273-01	2200 RHRB Complete Active Case Sub-assembly Assembly	
	02561-01	2200 LHRB Complete Active Case Sub-assembly Assembly	
	02316-01	2200LBR RHRB Complete Active Case Sub-assembly Assembly	
	02562-01	2200LBR LHRB Complete Active Case Sub-assembly Assembly	
1	00229-90	Pin, Pivot, Touchbar Lever	1
2	00279-51	Touch Bar Lever	1
3	00625-51	Touchbar Guard, Wide Stile	1

Item	Part Number	Description	Qty
4	00228-91	Retaining Ring, Shaft	1
5	00153-90	Pin, Pivot, Vertical Lift	1
6	00416-91	Screw, #8-32 x .275	2
7	00354-51	Vertical Lift Bracket	1
8	00280-51	Rod Carriage Lever	1
9	00505-01	Vertical Lift Assembly	1
10	00383-51 †	Rod Stud	2
11	00382-90 †	Roll Pin, 1/8 X 7/8	2
12	00485-51	Rod Carriage Machining, CVR/mort, Apex	1
13	N/A	Sold only as the complete assembly	1
14	00353-01	2200 Rod Carriage Assembly	1
	00533-01 †	2200LBR Rod Carriage Assembly	1

†. Active cases 02316-01, 02562-01 and Rod Carriage 00533-01 contain only one 00383-51 Rod Stud and one 00382-90 Roll Pin.

All Active Case Sub-assembly are field reversible from LHRB to RHRB and from RHRB to LHRB.

2300 ACTIVE CASE SUB-ASSEMBLY

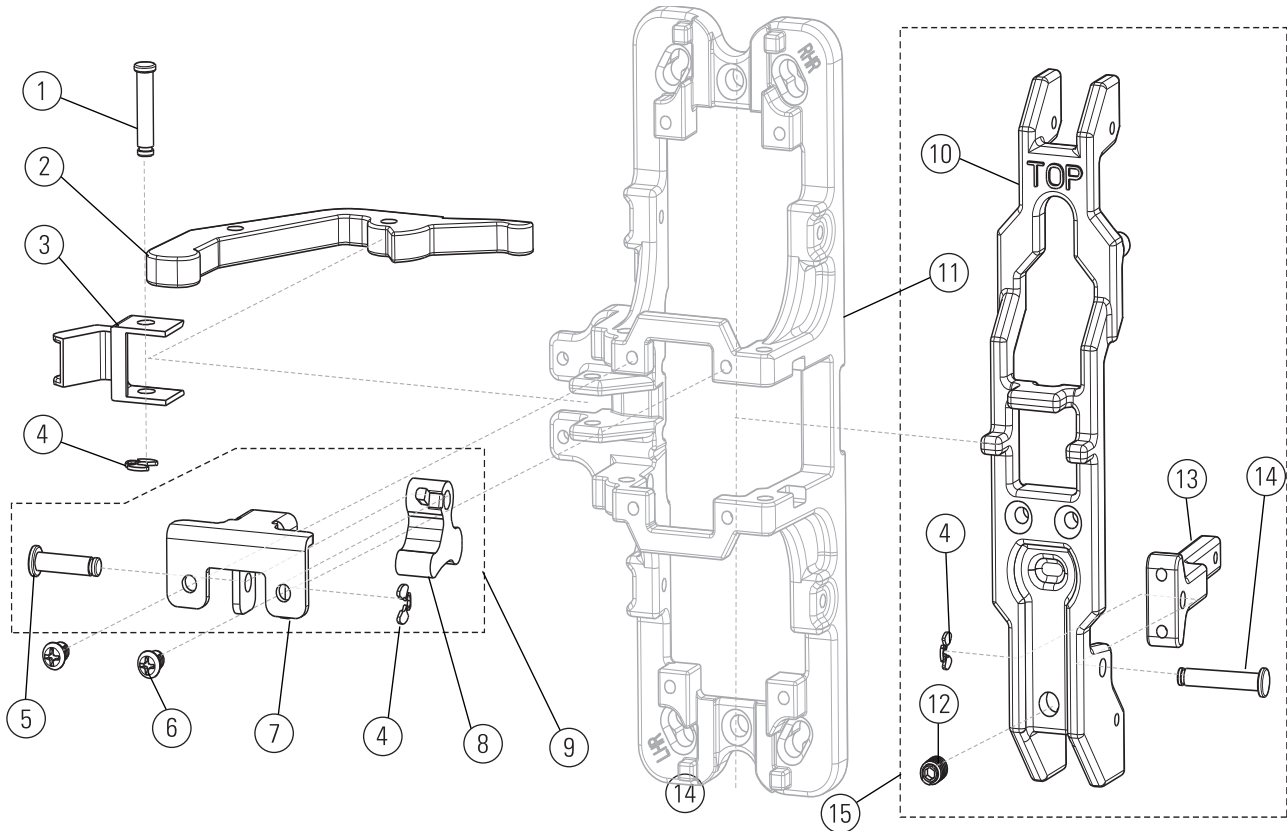


Figure 6.4 Basic Active Case for a wide concealed vertical rod model - RHRB shown

Item	Part Number	Description	Qty
	02274-01	2300 RHRB Complete Active Case Sub-assembly Assembly	
	02563-01	2300 LHRB Complete Active Case Sub-assembly Assembly	
1	00229-90	Pin, Pivot, Touchbar Lever	1
2	00279-51	Touch Bar Lever	1
3	00625-51	Touchbar Guard, Wide Stile	1
4	00228-91	Retaining Ring, Shaft	1
5	00153-90	Pin, Pivot, Vertical Lift	1
6	00416-91	Screw, #8-32 x .275	2
7	00354-51	Vertical Lift Bracket	1
8	00280-51	Rod Carriage Lever	1
9	00505-01	Vertical Lift Assembly	1
10	00485-51	Rod Carriage Machining, Apex	1
11	N/A	Sold only as the complete assembly	
12	00606-91	Screw, 1/4-20 X .375 Set Screw w/nyloc	1
13	00335-51	Device Lift Finger	1

Item	Part Number	Description	Qty
14	00400-90	Pin, Headed Pivot, .188 X 1.125	1
15	00797-01	2300 RHRB Rod Carriage Assembly	1
	02646-01	2300 LHRB Rod Carriage Assembly	1

All Active Case Sub-assembly 02274-01 and 02563-01 are field reversible from LHRB to RHRB and from RHRB to LHRB.

2310 AUXILIARY PARTS

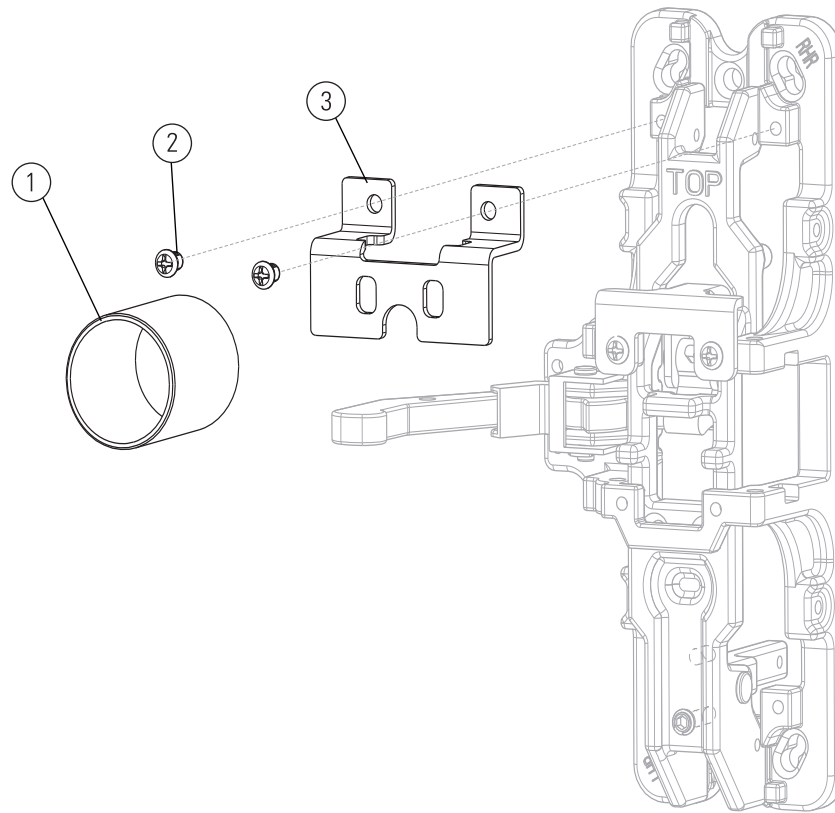


Figure 6.5 2310 Auxiliary parts for mortise applications.

Item	Part Number	Description	Qty
1	00827-51	Cylinder Sleeve - 10 Function	1
2	00416-91	Screw, #8-32 x .275	2
3	00909-51	Cylinder Bracket -10 Mortise	1

2400 FULL CHASSIS

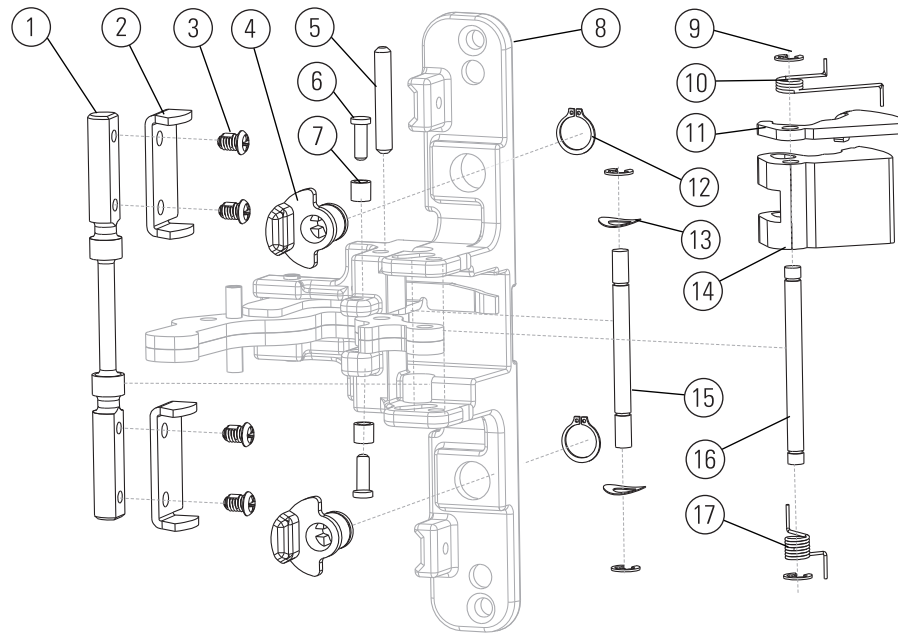


Figure 6.6 2400 Full Chassis

Item	Part Number	Description	Qty
	00498-01	2400 Complete Chassis Assembly	
	00499-01	2400F Complete Chassis Assembly	
1	01108-51	Trim Shaft	1
2	01107-51	Cam Plate	2
3	00416-91	Screw, #8-32 x .275	4
4	01724-51	Trim Cam 2400	2
5	01121-90	Pivot Pin	1
6	00952-51	Fire Pin, Narrow Stile <i>(2400F only)</i>	2
7	00953-51	Fire Spacer, Narrow Stile <i>(2400F only)</i>	2
8	N/A	Sold only as the complete assembly	1
9	01120-91	E-clip, Shaft	4
10	00871-89	Spring, Trip	1
11	01109-51	Trip	1
12	00412-91	Retaining Ring, .438 Shaft	2
13	00253-91	1/4 Curved Spring Washer	2
14	01106-51	Latchbolt Narrow Stile	1
15	01114-90	Pin, Lever, .187 X 2.312	1
16	01115-90	Pin, Latchbolt, 2400	1
17	01116-89	Latch Bolt Spring	1

2600 FULL CHASSIS

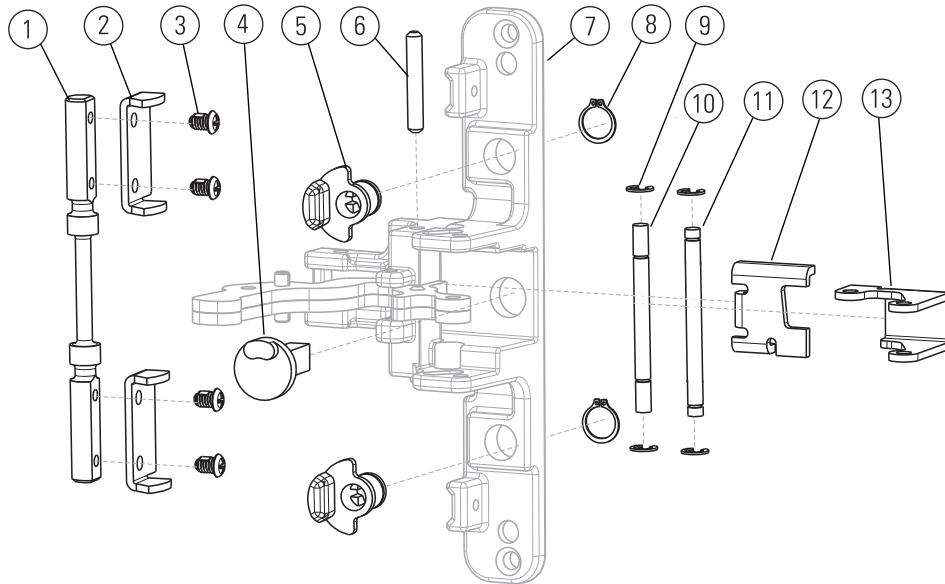


Figure 6.7 2600 Full Chassis

Item	Part Number	Description	Qty
	00500-01	2600 Complete Chassis Assembly	
1	01108-51	Trim Shaft	1
2	01107-51	Cam Plate	2
3	00416-91	Screw, #8-32 x .275	4
4	01110-51	Case Hub	1
	05154-51	Extended Case Hub	1
5	01113-51	Trim Cam	2
6	01121-90	Pivot Pin	1
7	N/A	Sold only as the complete assembly	1
8	00412-91	Retaining Ring, .438 Shaft	2
9	01120-91	E-clip, Shaft	4
10	01114-90	Pin, Lever, .187 X 2.312	1
11	01115-90	Pin, Latchbolt, 2400	1
12	00126-51	Cam Slide, 2600	1
13	01111-51	Retainer	1

2700 ACTIVE CASE SUB-ASSEMBLY

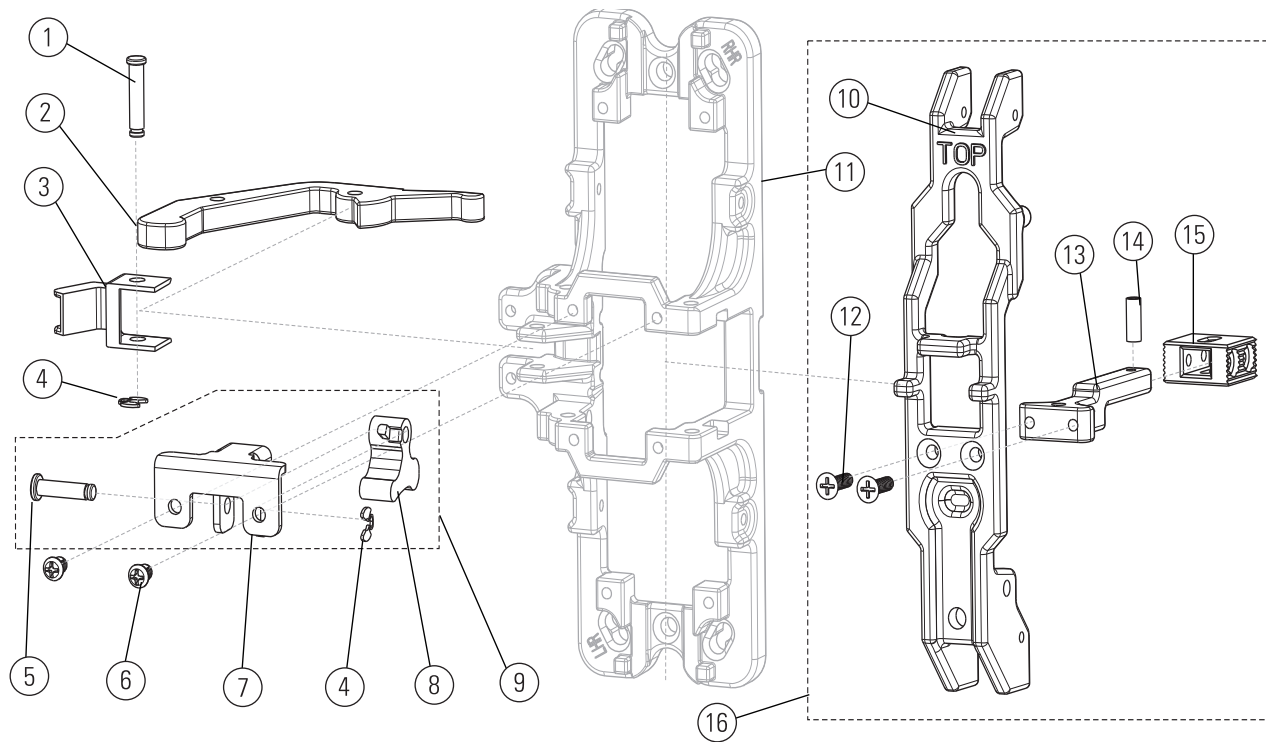


Figure 6.8 2700 wood concealed vertical rod model - RHRB shown

Item	Part Number	Description	Qty
	02320-01	2700 LHRB Complete Active Case Sub-assembly Assembly	
	02564-01	2700 RHRB Complete Active Case Sub-assembly Assembly	
1	00229-90	Pin, Pivot, Touchbar Lever	1
2	00279-51	Touch Bar Lever	1
3	00625-51	Touchbar Guard, Wide Stile	1
4	00228-91	Retaining Ring, Shaft	1
5	00153-90	Pin, Pivot, Vertical Lift	1
6	00416-91	Screw, #8-32 x .275	2
7	00354-51	Vertical Lift Bracket	1
8	00280-51	Rod Carriage Lever	1
9	00505-01	Vertical Lift Assembly	1
10	00485-51	Rod Carriage Machining, Apex	
11	N/A	Sold only as the complete assembly	1
12	00800-91	Screw, #8-32 X .625 FHMS	2
13	00355-51	Device Lift Finger	1
14	00799-90	Roll Pin, 1/8 X 1/2	1
15	00798-51	Adapter, 2700	1
16	00534-01	2700 Rod Carriage Assembly	1

2800 ACTIVE CASE SUB-ASSEMBLY

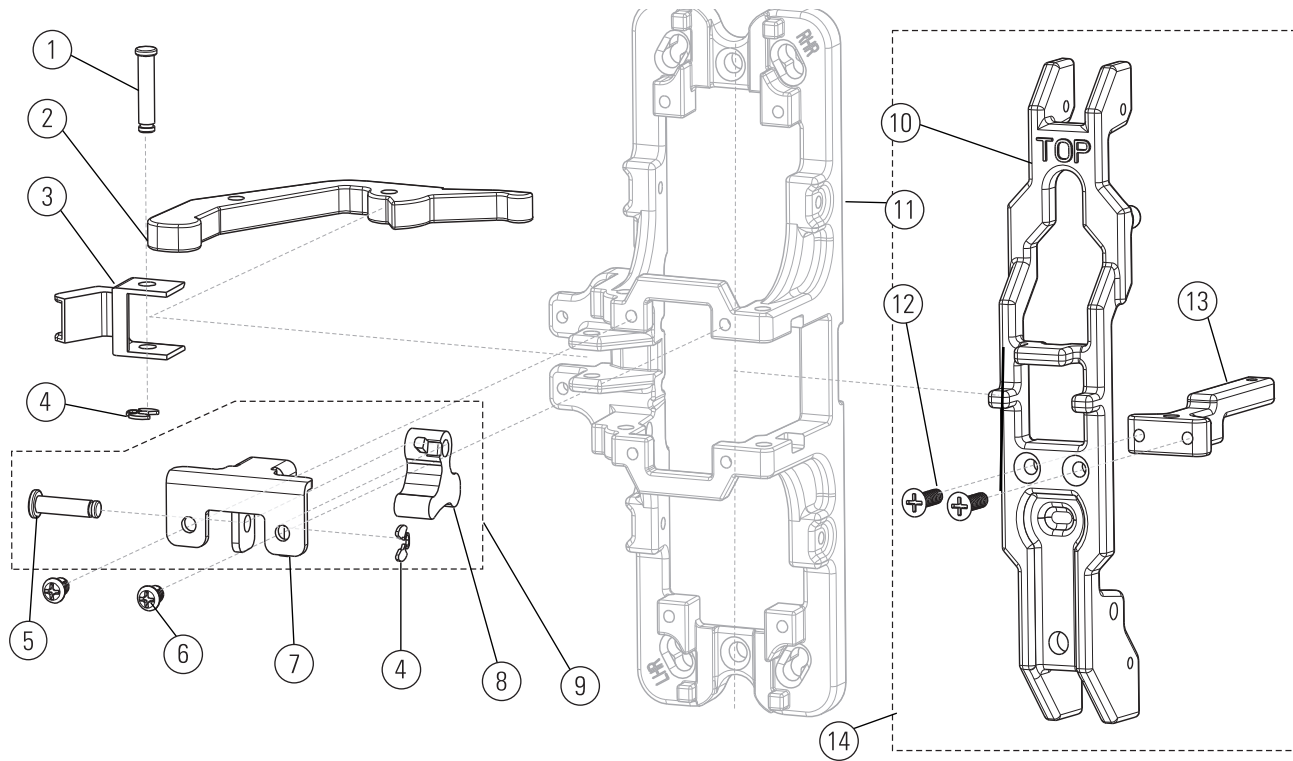


Figure 6.9 2800 concealed vertical rod model - RHRB shown

Item	Part Number	Description	Qty
	02320-01	2700 LHRB Complete Active Case Sub-assembly Assembly	
	02564-01	2700 RHRB Complete Active Case Sub-assembly Assembly	
1	00229-90	Pin, Pivot, Touchbar Lever	1
2	00279-51	Touch Bar Lever	1
3	00625-51	Touchbar Guard, Wide Stile	1
4	00228-91	Retaining Ring, Shaft	1
5	00153-90	Pin, Pivot, Vertical Lift	1
6	00416-91	Screw, #8-32 x .275	2
7	00354-51	Vertical Lift Bracket	1
8	00280-51	Rod Carriage Lever	1
9	00505-01	Vertical Lift Assembly	1
10	00485-51	Rod Carriage Machining, Apex	1
11	N/A	Sold only as the complete assembly	1
12	00800-91	Screw, #8-32 X .625 FHMS	2
13	00355-51	Device Lift Finger	1
14	00534-01	2700 Rod Carriage Assembly	1

BACKPLATE ASSEMBLIES

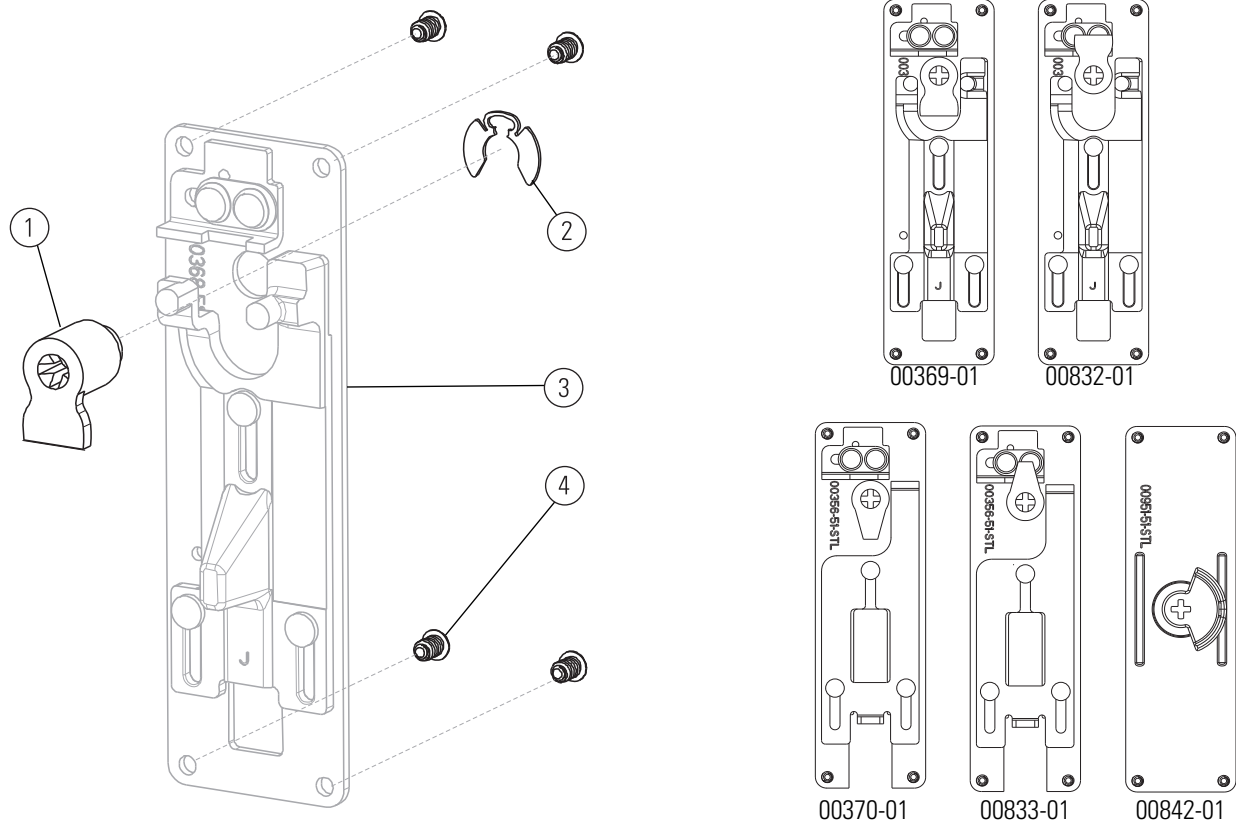


Figure 6.10 Backplate assembly

Item	Part Number	Description	Qty	Backplate Assembly				
				00369-01	00832-01	00370-01	00833-01	00842-01
	00369-01	Complete Backplate Assembly		■				
	00832-01				■			
	00370-01					■		
	00833-01						■	
	00842-01							■
1	00282-51	Cylinder cam	1					■
	01642-51		1			■	■	
	00363-51		1	■	■			
2	00412-91	Retaining Ring	1					■
	00366-91		1	■	■	■	■	
3	N/A	Sold only as the complete assembly	1					
4	00416-91	Screws, #8-32 x.275	4	■	■	■	■	■

See page 6-2 for the associated complete active case.

7

STRIKES AND VERTICAL ROD COMPONENTS

This chapter provides diagrams and part numbers for the strikes and the components of the surface and concealed vertical rod assemblies. The PHI Apex 2000 models that use a vertical rod include the 2200, 2600, 2700, and 2800 models.

STRIKES, NON-MORTISE

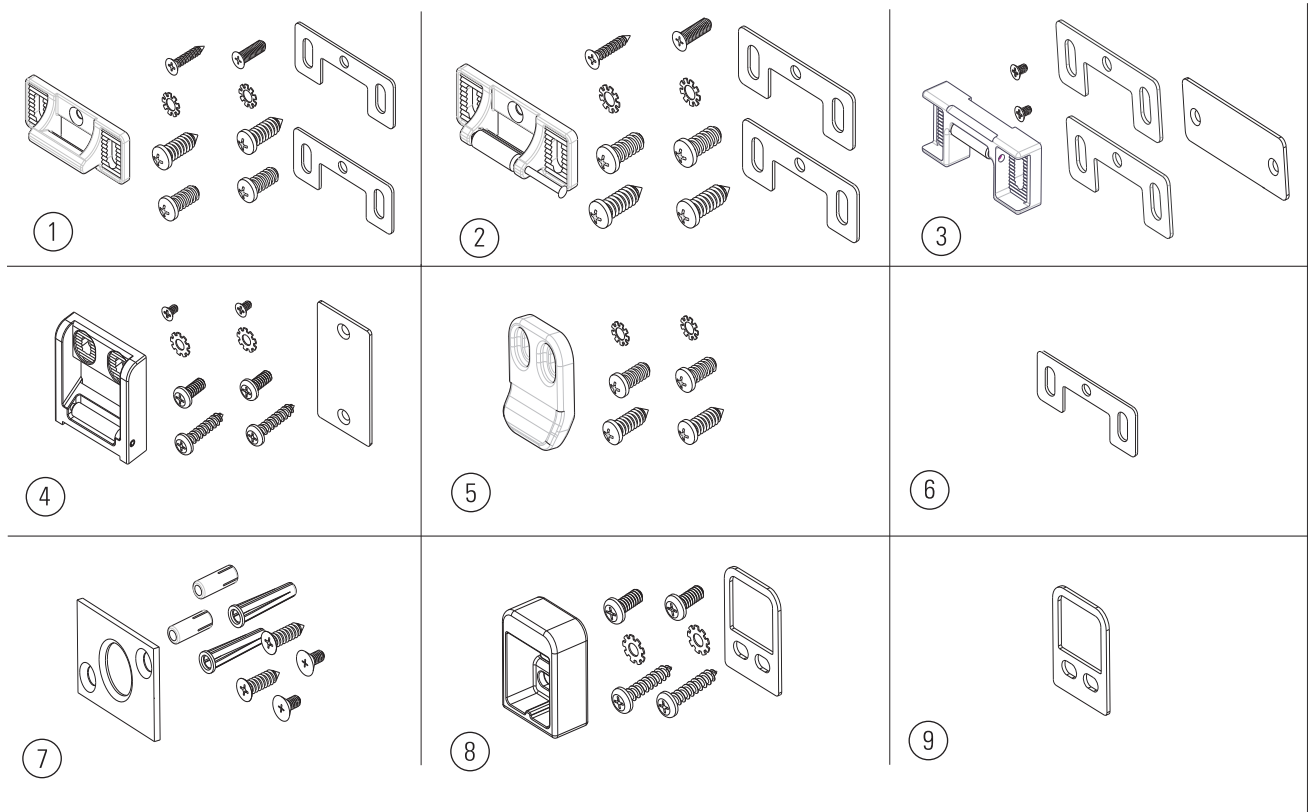


Figure 7.1 Strikes used with all models except the 2300 model Exit Device.

Item	Part Number	Description	Qty	Models used on
1	00300-08	Strike Kit, S300	1	2100, 2200, 2400
2	00301-08	Strike Kit, Roller, S301	1	2100, 2200, 2400
3	00458-08	Strike Kit, Roller, Narrow S458	1	2100, 2400
4	00988-08	Strike Kit, Roller, Aluminum Door S986	1	2100, 2400
5	00459-08	Strike Kit, Double Door S459	1	2100 with a vertical rod exit device
6	00232-58	Shim, Strike	1	2100, 2200, 2400
7	00460-08	Strike Kit, Bottom S460	1	2200, 2600, 2700, 2800
8	00519-08	Strike Kit, Concealed Top S519	1	2600, 2700, 2800
9	01112-58	Shim, CVR Strike	1	2600, 2700, 2800

STRIKES, MORTISE

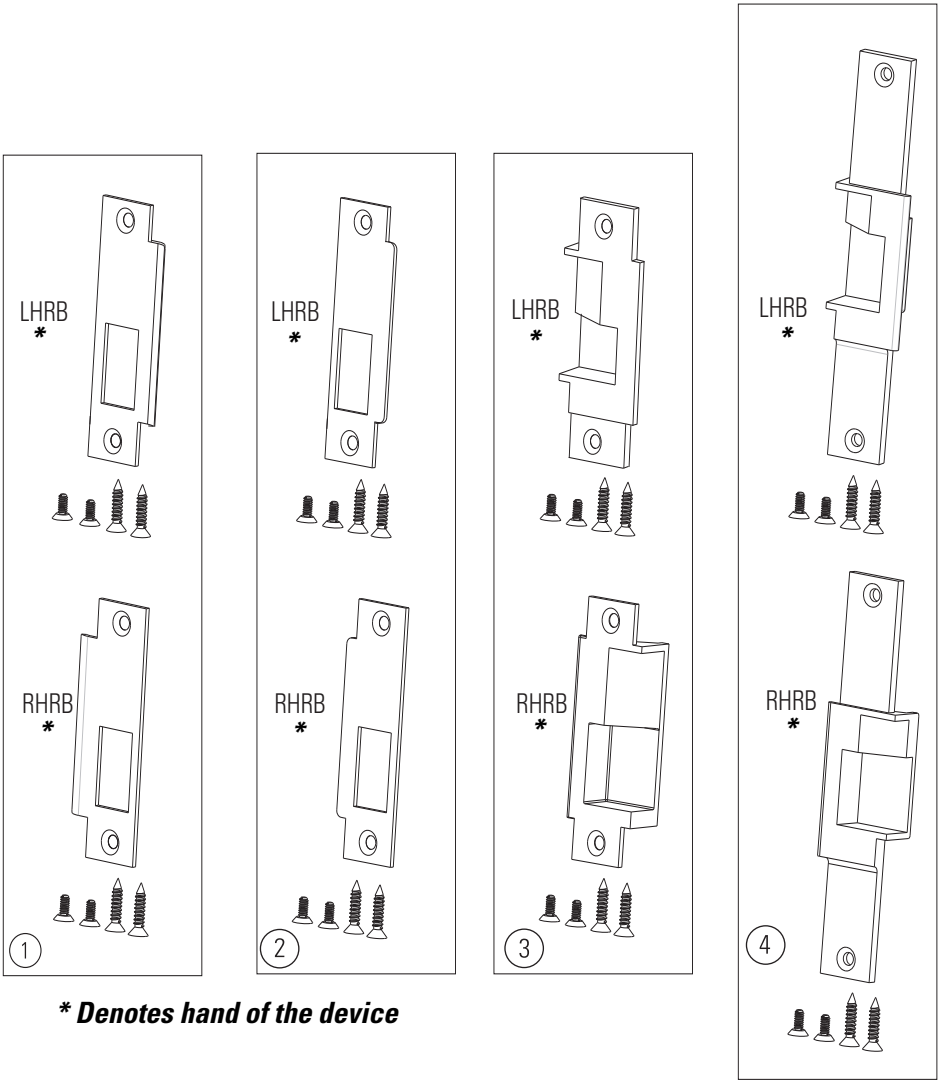


Figure 7.2 Strikes used with the 2300 model Exit Devices

Item	Part Number	Description	Qty	Hand of Device	
				LHRB	RHRB
1	00922-08	Strike Kit, Mortise 1-1/4 Lip	1	■	
	00982-08		1		■
2	00923-08	Strike Kit, Mortise 7/8 Lip	1	■	
	00983-08		1		■
3	00984-08	Strike Kit, Mortise 4-7/8 Open Back	1	■	
	00924-08		1		■
4	00985-08	Strike Kit, Mortise 8 in Open Back	1	■	
	00925-08		1		■

Specify finish when ordering these parts.

2200 SVR BOTTOM LATCH

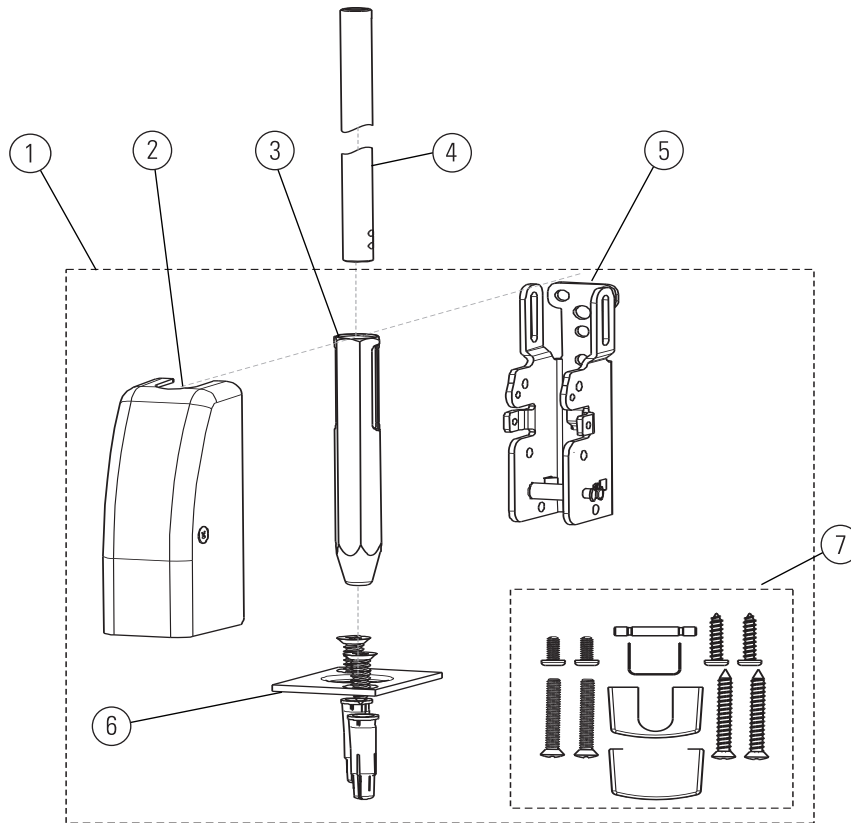


Figure 7.3 2200 SVR bottom latch

Item	Part Number	Description	Qty
1	01007-03 *	Bottom Latch Kit, SVR (includes items 2, 3, 5, 6, and 8)	
2	01011-03 *	Latch Cover Kit, Apex	1
3	00540-53	Bottom Bolt, SVR	1
4	00607-53 *	Bottom Rod, Apex SVR (sold separately)	1
5	02356-03	Bottom Latch Channel Assembly, SVR	1
6	00460-08	Strike Kit, Bottom	1
7	00124-03 *	Rod Guide Pack	1
Not shown	01859-03 *	Bottom Rod Kit SVR (includes rod and mounting hardware)	1
	05247-09 *	Long Bottom Rod Kit	1

* Specify finish when ordering these parts.

If you need replacements for units rated for fire (FL), contact your Stanley Security Solution dealer or call direct to 1-800-392-5209.

2200 SVR TOP LATCH

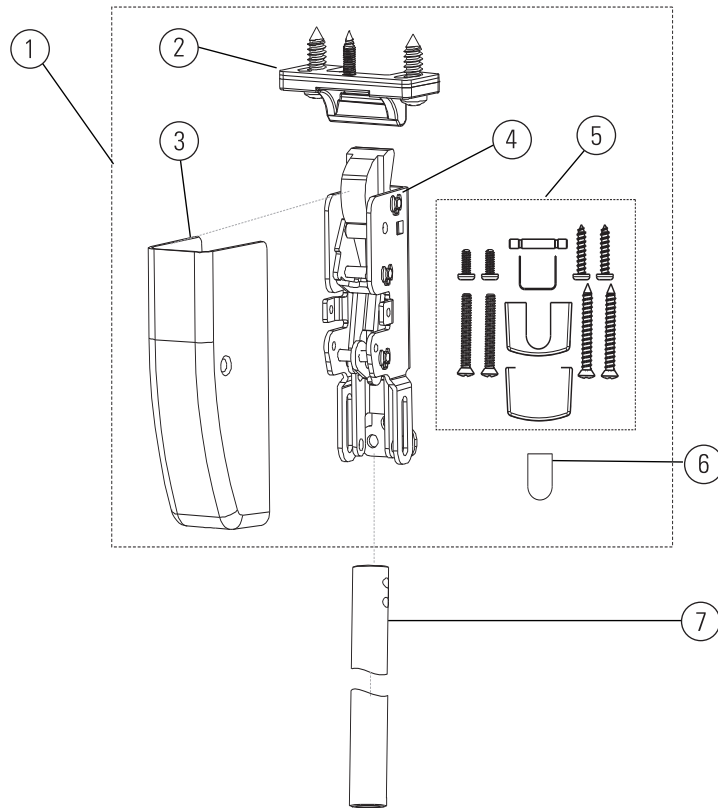


Figure 7.4 2200 SVR top latch

Item	Part Number	Description	Qty
1	01001-03 *	Top Latch Kit, SVR, Apex (includes items 2, 3, 4, and 5)	1
2	00300-08	Strike Kit, Standard, S300	1
3	01011-03 *	Latch Cover Kit, Apex	1
4	00296-03	Top Latch Assembly, SVR	1
5	00124-03 *	Rod Guide Pack	1
6	05124-51	LBR Cover Plug	1
7	00541-53 *	Top Rod, 7ft Apex SVR (sold separately)	1
	00542-53 *	Top Rod, 8ft	1
	00544-53 *	Top Rod, 10ft	1
	05197-53 *	Top Rod, 12ft	1
Not shown	01854-03 *	Top Rod SVR Kit 7 Foot (includes hardware)	1
	01855-03 *	Top Rod SVR Kit 8 Foot (includes hardware)	1
	01857-03 *	Top Rod SVR Kit 10 Foot (includes hardware)	1

* Specify finish when ordering these parts.

If you need replacements for units rated for fire (FL), contact your Stanley Security Solution dealer or call direct to 1-800-392-5209.

CVR BOTTOM LATCHES

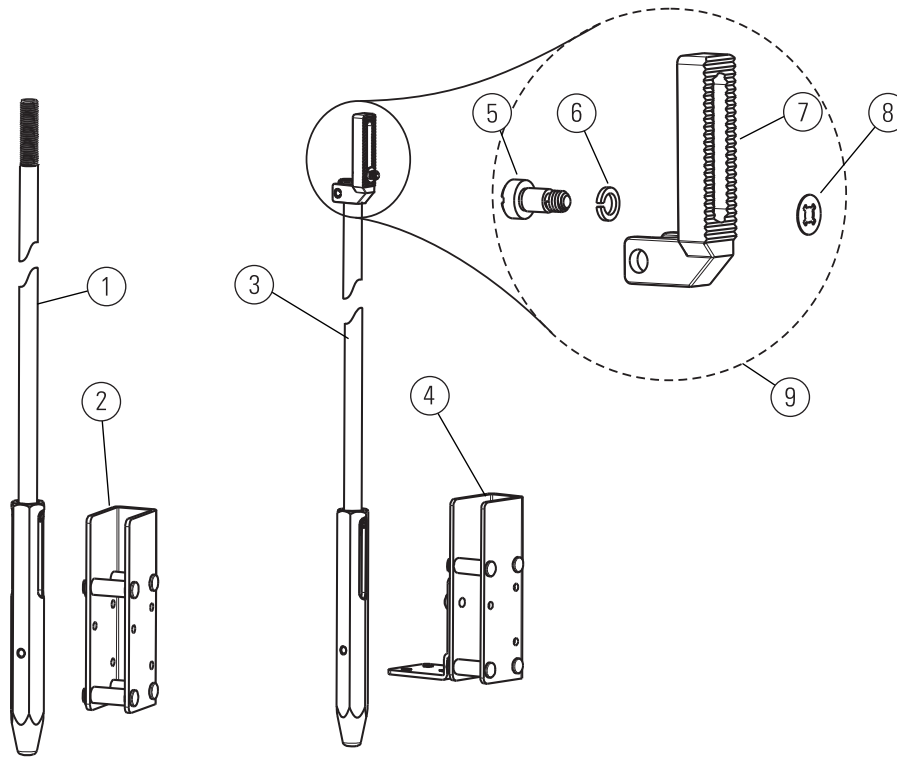


Figure 7.5 2600, 2700 2800 CVR bottom latch

Item	Part Number	Description	Qty	2600	2700	2800
1	00553-03	Bottom Rod Assembly, CVR Metal	1	■		■
	05244-09	Long Bottom Rod Kit, CVR Metal	1	■		■
2	02354-03	Bottom Latch Channel Assembly, CVR Metal	1	■		■
3	00556-03	Bottom Rod Assembly, CVR Wood	1		■	
	05246-09	Long Bottom Rod Kit, CVR Wood	1		■	
4	02355-03	Bottom Latch Channel Assembly, CVR Wood	1		■	
5	01149-91	Shoulder Screw	1		■	
6	01151-91	Washer, Lock, #10	1		■	
7	01144-53	Connector, Wood CVR	1		■	
8	01152-91	Washer, Retaining	1		■	
9	02948-03	Connector Assembly 2700	1		■	

If you need replacements for units rated for fire (FL), contact your Stanley Security Solution dealer or call direct to 1-800-392-5209.

CVR TOP LATCHES

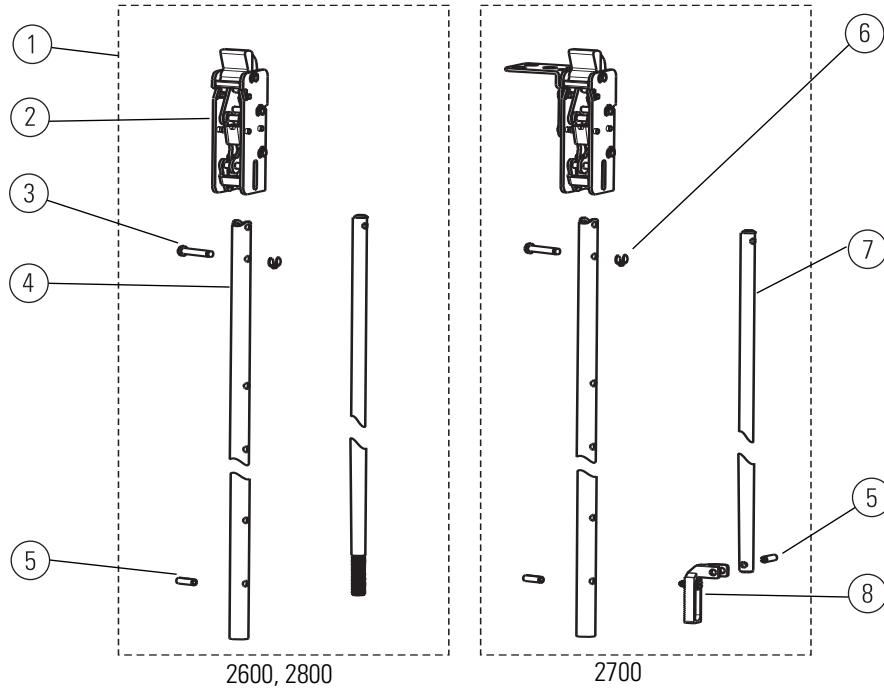


Figure 7.6 2600, 2700, 2800 CVR top latches

Item	Part Number	Description	Qty	2600, 2800		2700	
				8ft	10ft	8ft	10ft
1	01003-03	Top Latch Kit, CVR Meta	1	■			
	01004-03		1		■		
	01005-03	Top Latch Kit, CVR Wood	1			■	
	01006-03		1				■
2	00196-03	Top Latch Assembly, CVR Metal	1	■	■		
	00396-03	Top Latch Assembly, CVR Wood	1			■	■
3	00400-90	Pin, Headed Pivot, .188 X 1.125	1	■	■	■	■
4	00411-53	Adjusting Tube, 8 ft	1	■		■	
	01143-53	Adjusting Tube, 10 ft	1		■		■
5	00408-90	Roll Pin, 3/16 X 5/8	1	■	■		
	00408-90	Roll Pin, 3/16 X 5/8	2			■	■
6	00228-91	Retaining Ring, Shaft	1	■	■	■	■
7	00410-53	Inner Rod, CVR, Metal	1	■	■		
	01145-53	Top Rod, CVR, Wood	1			■	■
8	02948-03	Connector Assembly (See page 7-6 for assembly breakdown)	1			■	■

CENTER CASE ASSEMBLY

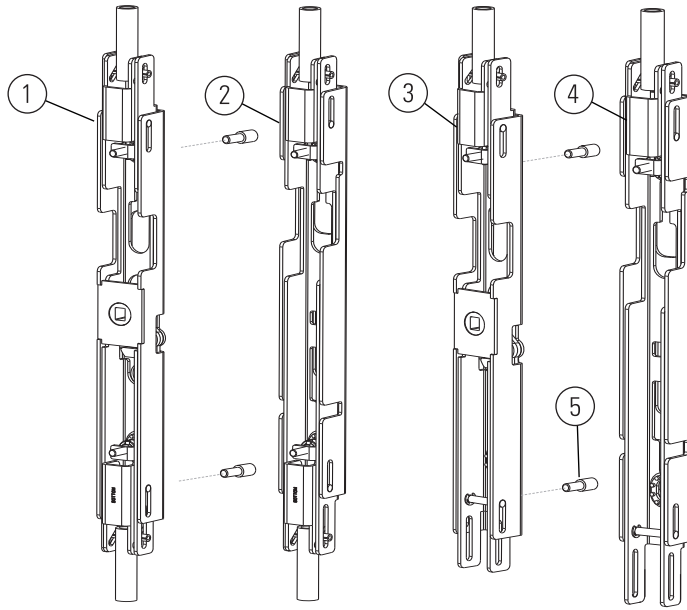


Figure 7.7 Apex 2000 center cases

Item	Part Number	Description	Qty
1	00343-03	Center Case Assembly, 2600	1
2	00344-03	Center Case Assembly, 2800	1
3	02280-03	Center Case Assembly, 2600LBR	1
4	02279-03	Center Case Assembly, 2800LBR	1
5	05139-90	Extended Pilot Pins (2600 and 2600LBR only)	2

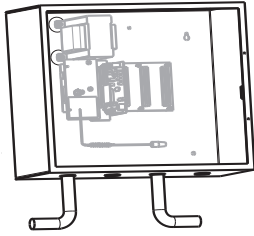
8

OTHER COMPONENTS

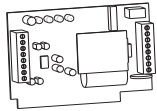
This chapter covers power supplies, conversion kits, and miscellaneous hardware that may not be covered in other chapters.

POWER SUPPLIES

Use these parts to order replacements to your electrical Exit Device or to upgrade from a mechanical to an electrical Exit Device. They are used with the Electrical Conversion Kits listed below.



Power Supply

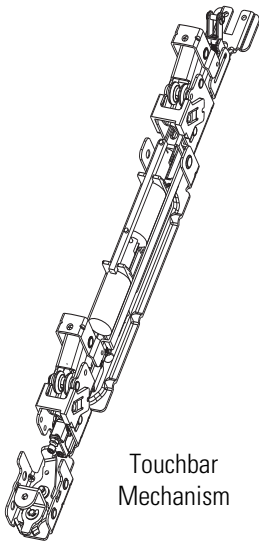


Control Module

Number	Description
Power Supply Units	
02318-06	ELR150 Power Supply – no devices
02782-06	ELR151 Power Supply – 1 devices
02783-06	ELR152 Power Supply – 2 devices
02784-06	ELR153 Power Supply – 3 devices
02785-06	ELR154 Power Supply – 4 devices
02788-06	ELR, Control Module Kit CM150-08
02789-06	ELR, Battery Backup Kit BT150-07 (batteries NOT included)
Power Transfer	
02188-06	Armored Flex Conduit, 18 inches EPT2
02189-06	Door Loop for 5/16 wire bundle, 120° opening EPT5

ELECTRICAL CONVERSION KITS

Use these kits to convert a mechanical Exit Device into an electrical powered device, or to order replacement parts for a current electrical Exit Device. Conversion also requires a power supply – see above..

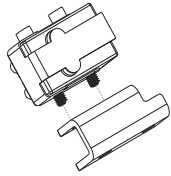


Touchbar Mechanism

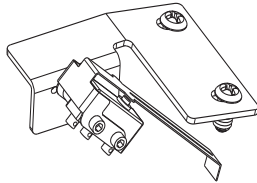
Part Number	Description	Length		Dogging		Stile	
		3ft	4ft	Hex	FI	Wide	Narrow
Touchbar Mechanisms							
00172-02	Touchbar Mechanism ELRK-3	■		■		■	
00175-02	Touchbar Mechanism ELRK-4		■	■		■	
00173-02	Touchbar Mechanism ELRKF-3	■			■	■	
00176-02	Touchbar Mechanism ELRKF-4		■		■	■	
00892-02	Touchbar Mechanism NELRK-3	■		■			■
00895-02	Touchbar Mechanism NELRK-4		■	■			■
00893-02	Touchbar Mechanism NELRKF-3	■			■		■
00896-02	Touchbar Mechanism NELRKF-4		■		■		■

These switches can be added to the electrical Exit Devices listed in the

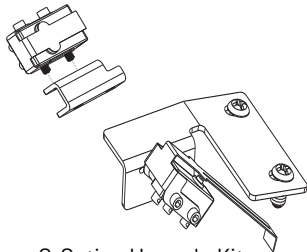
chart.



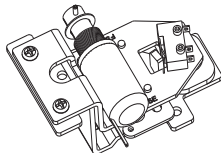
TDS Switch



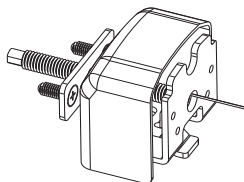
LS Switch



Q-Option Upgrade Kit



Lock/Unlock



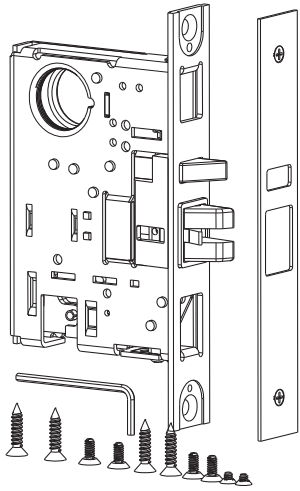
Door Position Switch

Part Number	Description	Used on
Monitoring Switches		
00309-06	TS - Touchbar Switch Monitoring Assembly TSK309	All
00310-06	TDS - Touchbar Double Switch Monitor TDS310	All
00307-06	LS- Latchbolt Switch Monitoring LSRK298	Wide Rim Only
00308-06	LDS-Double Switch Monitoring LDSRK299	Wide Rim Only
00910-06	LS- Monitoring - Vertical Rods LSVK910	Wide SVR or CVR only
Q Wireless Option Retrofit Kits		
05267-06	Q-Option Upgrade Kit for Rim QSRK5267	2103
05268-06	Q-Option Upgrade Kit for Vertical Rod QSRK5268	2203,2703, 2803
Electric Rim Device		
00837-01	Electric Rim - Lock/Unlock E2103K	2103 and 2103FL
Endcap Door Status Switch		
00774-02 *	Door Position Switch Kit	Wide Stile
00776-02 *	Door Position Switch Kit	Narrow Stile

* Specify finish when ordering these parts.

Other Components

When ordering E-Mortise Locks, specify Fail Safe/Fail Secure and finish. Does not include cylinder.

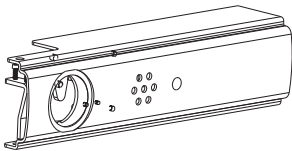


Mortise Kit

Part Number	Description	Hand	
		RHRB	LHRB
Electric Mortise Locks			
02553-05	Mortise Lock, LSM303	■	
02819-05			■
02554-05	Mortise Lock, LSM303F	■	
02820-05			■
02551-05	Mortise Lock, LSM308	■	
02817-05			■
02552-05	Mortise Lock, LSM308F	■	
02818-05			■
02557-05	Mortise Lock, LSEM303	■	
02823-05			■
02558-05	Mortise Lock, LSEM303F	■	
02824-05			■
02555-05	Mortise Lock, LSM308	■	
02821-05			■
02556-05	Mortise Lock, LSEM308F	■	
02822-05			■
00996-93	Short Arm 5/32 Hex Wrench		

EXIT ALARM KITS

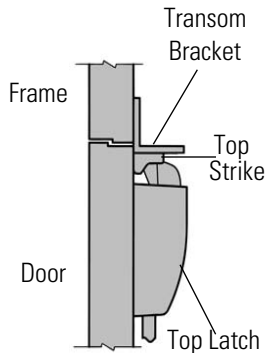
The ALK models come with batteries included. .



Part Number	Description	Length		Power		Stile	
		3ft	4ft	ALK	ALW	Wide	Narrow
00491-06 *	Exit Alarm	■		■		■	
00492-06 *			■	■		■	
00493-06 *		■			■	■	
00494-06 *			■		■	■	
00586-06 *		■		■			■
00587-06 *			■	■			■
00588-06 *		■			■		■
00589-06 *			■		■		■

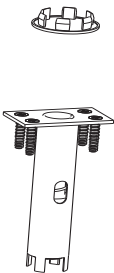
* Specify finish when ordering these parts.

SHIMS AND BRACKETS



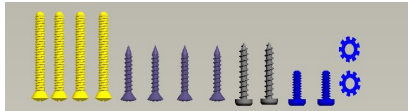

Part Number	Description	Used on
00994-09	Shim Kit, Apex Wide Stile	Endcap and Active Case
00995-09	Shim Kit, Apex Narrow Stile	Endcap and Active Case
00232-58	Shim, Strike	Strike S300, S301, and S458
01112-58	Shim, CVR Strike	Strike S519
00453-53	Transom Bracket for S300 Strike	2200 Top Latch

FIRE BOLT

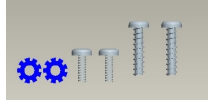
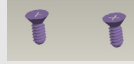


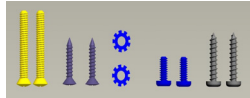







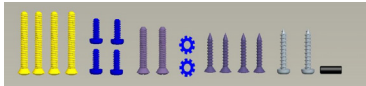

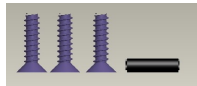


Part Number	Description	Used on
01303-03	Fire Bolt Kit FB277	2200LBR, 2600LBR, 2700LBR, 2800LBR




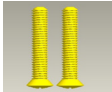
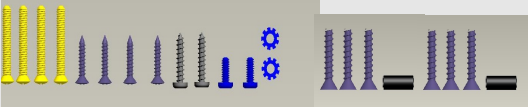
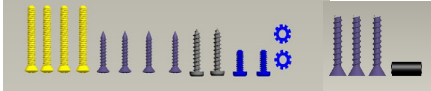
SCREW PACKS

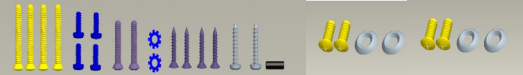


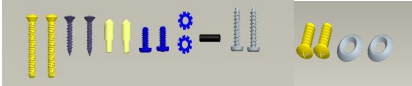
Part Number	Description	Contents
02101-09 *	Screw Pack, 2100 2200 2300 Device	 <ul style="list-style-type: none"> (4) Screw, #10-24 X 1-1/2 POHMS (4) Screw, #10-16 X 1 POHSMS (2) Screw, #10-16 X 1 PPHSMS (2) Screw, #10-24 X 1/2 PPHMS (2) Washer, #10 External Tooth Type
02102-09 *	Screw Pack, 4 Cover Screws	 <ul style="list-style-type: none"> (4) Screw, #8-32 X 3/8 PUFHMS


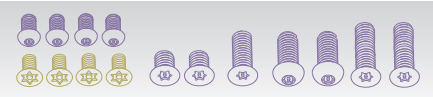


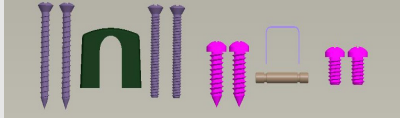
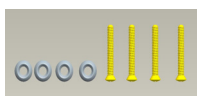
Other Components




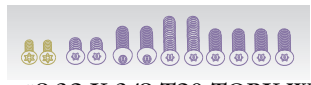
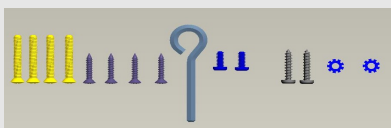
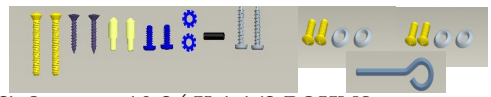
Part Number	Description	Contents
02103-09-000	Screw Pack, Endcap Bracket	 <p>(2) Washer, #10 External Tooth (2) Screw, #10-24 X 1/2 (2) Screw, #10-16 X 1</p>
02104-09 *	Screw Pack, Endcap Screws	 <p>(2) Screw, #8-32 X 3/8 PUFHMS</p>
02105-09 *	Screw Pack, Cylinder Dogging	 <p>Nut, Cylinder Locking Washer, Cylinder Locating 3/16 Cylinder Collar</p>
02106-09 *	Screw Pack, 2 Cover Screws	 <p>(2) Screw, #8-32 X 3/8 PUFHMS</p>
02107-09-000	Screw Pack, 2400	 <p>(2) Screw, #10-24 X 1-1/2 POHMS (2) Screw, #10-16 X 1 POHSMS (2) Washer, #10 External Tooth (2) Screw, #10-24 X 1/2 PPHMS (2) Screw, #10-16 X 1 PPHSMS TYPE AB</p>
02109-09 *	Screw Pack, Latchbolt Cover	 <p>Latch Opening Cover</p>
02110-09 *	Screw Pack, 1/2in Blocking Ring, Narrow W/o Trim	 <p>1/2 Cylinder Collar</p>
02112-09-000	Screw Pack, Surface Latch	 <p>(2) Screw, #10 X 1-3/4" POHSMS Rod Guide (2) Screw, #10-24 X 1-1/2" POHMS, (2) Screw, #10-16 X 1 PPHSMS Spring Clip, Vertical Rod Pin, Rod, .188 X 1.296 (2) Screw, #10-24 X 1/2 PPHMS</p>

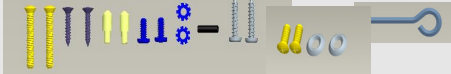
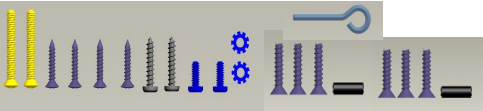
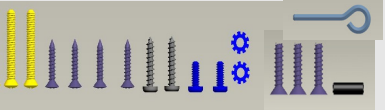
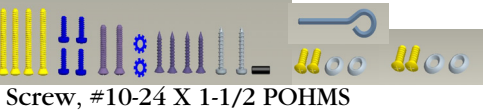
Part Number	Description	Contents
02113-09 *	Screw Pack, Guide Strap	 Rod Guide Strap
02114-09 *	Screw Pack, Concealed Latch	 (2) Screw, #10-24 X 1/2 POHMS W/Nyloc (2) Washer, Finish, #10
02115-09-000	Screw Pack, 2800 Active Case	 (4) Screw, #10-24 X 1-1/2 POHMS (4) Screw, #10-24 X 1/2 PPHMS (2) Screw, #10-24 X 1 POHMS (2) Washer, #10 External Tooth (4) Screw, #10-16 X 1 POHSMS (2) Screw, #10-16 X 1 PPHSMS Roll Pin, 3/16 X 5/8
02116-09-000	Screw Pack, 2600 Active Case	 (2) Screw, #10-24 X 1-1/2 POHMS (2) Screw, #10-16 X 1 POHSMS (2) Pin, Pilot (2) Screw, #10-24 X 1/2 PPHMS (2) Washer, #10 External Tooth Roll Pin, 3/16 X 5/8 (2) Screw, #10-16 X 1 PPHSMS
02117-09-000	Screw Pack, 2700 Latch	 (3) Screw, #10-16 X 1 PFHMSM Roll Pin, 3/16 X 5/8
02118-09 *	Screw Pack, Mortise Lock	 Wrench, 1/8 Hex (4) Screw, #12-14 X 1 FHSMS (4) Screw, #12-24 X 1/2 PUFHMS (2) Screw, #8-32 X 3/16 PUFHMS
02119-09 *	Screw Pack, 2000 Bottom Screw	 Washer, Finish, #10 Screw, #10-24 X 1-1/2 POHMS


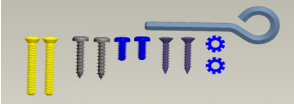
Part Number	Description	Contents
02120-09 *	Screw Pack, A And C Grip Bottom Screw	 <p>Screw, #1/4-20 x 2 POHMS Washer, Finish, 1/4</p>
02121-09 *	Screw Pack, B Grip Bottom Screw	 <p>Screw, #1/4-20 x 2-3/8 POHMS (2) Screw, #1/4-20 x 2-1/8 POHMS Washer, Finish, 1/4</p>
02125-09-000	Screw Pack, C03 Trim	 <p>Rim Cylinder Sleeve Cylinder Strap (4) Screw, #10-24 X 2 PHMS</p>
02129-09-000	Screw Pack, 2000 Trim Attachment	 <p>Screw, #10-24 X 1-1/2 POHMS</p>
02230-09-000	Screw Pack, 2700 (Consists of Screw Pack 02101-09 and (2) 02117-09)	 <p>(4) Screw, #10-24 X 1-1/2 POHMS (4) Screw, #10-16 X 1 POHSMS (2) Screw, #10-16 X 1 PPHSMS (2) Screw, #10-24 X 1/2 PPHMS (2) Washer, #10 External Tooth Type (6) Screw, #10-16 X 1 PFHMSM (2) Roll Pin, 3/16 X 5/8</p>
02231-09-000	Screw Pack, 2700 LBR Device (Consists of Screw Pack 02101-09 and (1) 02117-09)	 <p>(4) Screw, #10-24 X 1-1/2 POHMS (4) Screw, #10-16 X 1 POHSMS (2) Screw, #10-24 X 1/2 PPHMS (2) Washer, #10 External Tooth Type (2) Screw, #10-16 X 1 PPHSMS (3) Screw, #10-16 X 1 PFHMSM Roll Pin, 3/16 X 5/8</p>

Part Number	Description	Contents
02232-09 *	Screw Pack, 2800 Device (Consists of Screw Pack 02115-09 and (2) 02114-09)	 <ul style="list-style-type: none"> (4) Screw, #10-24 X 1-1/2 POHMS (4) Screw, #10-24 X 1/2 PPHMS (2) Screw, #10-24 X 1 POHMS (2) Washer, #10 External Tooth (4) Screw, #10-16 X 1 POHSMS (2) Screw, #10-16 X 1 PPHSMS Roll Pin, 3/16 X 5/8 (4) Screw, #10-24 X 1 POHMS (4) Screw, #10-16 X 1 PPHSMS
02233-09 *	Screw Pack, 2800 LBR Device (Consists of Screw Pack 02115-09 and (1) 02114-09)	 <ul style="list-style-type: none"> (4) Screw, #10-24 X 1-1/2 POHMS (4) Screw, #10-24 X 1/2 PPHMS (2) Screw, #10-24 X 1 POHMS (2) Washer, #10 External Tooth (4) Screw, #10-16 X 1 POHSMS (2) Screw, #10-16 X 1 PPHSMS Roll Pin, 3/16 X 5/8 (2) Screw, #10-24 X 1 POHMS (2) Screw, #10-16 X 1 PPHSMS
02234-09 *	Screw Pack, 2600 Device (Consists of Screw Pack 02116-09 and (2) 02114-09)	 <ul style="list-style-type: none"> (2) Screw, #10-24 X 1-1/2 POHMS (2) Screw, #10-16 X 1 POHSMS (2) Pin, Pilot (2) Screw, #10-24 X 1/2 PPHMS (2) Washer, #10 External Tooth Roll Pin, 3/16 X 5/8 (2) Screw, #10-16 X 1 PPHSMS (4) Screw, #10-24 X 1/2 POHMS W/Nyloc (4) Washer, Finish, #10
02235-09 *	Screw Pack, 2600 LBR Device (Consists of Screw Pack 02116-09 and (1) 02114-09)	 <ul style="list-style-type: none"> (2) Screw, #10-24 X 1-1/2 POHMS (2) Screw, #10-16 X 1 POHSMS (2) Pin, Pilot (2) Screw, #10-24 X 1/2 PPHMS (2) Washer, #10 External Tooth Roll Pin, 3/16 X 5/8 (2) Screw, #10-16 X 1 PPHSMS (2) Screw, #10-24 X 1/2 POHMS W/Nyloc (2) Washer, Finish, #10

Part Number	Description	Contents
02262-09-000	Security Screw Pack 2100, 21 Devices	 <p>(4) Screw, #8-32 X 3/8 T20 TORX W/Pin (2) Screw, #10-24 X 3/8 TORX FHMS W/Pin (2) Screw, #10-24 x 3/4 T25 TORX W/Pin (2) Screw, 1/4-20 x 3/4 T27 TORX W/Pin</p>
02263-09-000	Security Screw Pack 2200, 22	 <p>(4) Screw, #8-32 X 3/8 T20 TORX W/Pin (4) Screw, #8-32 x 3/8 T15 TORX W/Pin (2) Screw, #10-24 X 3/8 TORX FHMS W/Pin Screw, #10-24 x 3/4 T25 TORX W/Pin (2) Screw, 1/4-20 x 3/4 T27 TORX W/Pin (2) Screw, 1/4-20 x 1" T30 TORX W/Pin</p>
02264-09-000	Security Screw Pack 2200LBR, 22LBR	 <p>(4) Screw, #8-32 X 3/8 T20 TORX W/Pin (2) Screw, #10-24 X 3/8 TORX FHMS W/Pin Screw, #10-24 x 3/4 T25 TORX W/Pin (2) Screw, 1/4-20 x 3/4 T27 TORX W/Pin (2) Screw, #8-32 x 3/8 T15 TORX W/Pin</p>
02265-09-000	Security Screw Pack 2400	 <p>(2) Screw, #8-32 X 3/8 T20 TORX W/Pin (2) Screw, #10-24 X 3/8 TORX FHMS W/Pin (2) Screw, #10-24 x 1/2 T25 TORX W/Pin</p>
02845-09-000	Screw Pack, Surface Latch, 1/4-20	 <p>(2) Screw, #10 X 1-3/4" POHSMS (A) Rod Guide (2) Screw, #10-24 X 1-1/2" POHMS (2) Screw, 1/4-14 X 1 PPHSMS Spring Clip, Vertical Rod Pin, Rod, .188 X 1.296 (2) Screw, 1/4-14 X 1 PPHSMS</p>
02985-04 *	Screw Pack For Dummy Trim	 <p>(4) Washer, Finish, #10 (4) Screw, #10-24 X 1-1/2 POHMS</p>

Part Number	Description	Contents
03131-09-000	Security Screw Pack 2300	 <p>(4) Screw, #8-32 X 3/8 T20 TORX W/Pin (2) Screw, #10-24 X 3/8 TORX FHMS W/Pin (4) Screw, #12-24 x 1/2 T20 TORX W/Pin</p>
03132-09-000	Security Screw Pack 2700	 <p>(4) Screw, #8-32 X 3/8 T20 TORX W/Pin (2) Screw, #10-24 X 3/8 TORX FHMS W/Pin (2) Screw, #10-24 x 1/2 T25 TORX W/Pin (2) Screw, 1/4-20 x 1" T30 TORX W/Pin</p>
03133-09-000	Security Screw Pack 2800	 <p>(4) Screw, #8-32 X 3/8 T20 TORX W/Pin (2) Screw, #10-24 X 3/8 TORX FHMS W/Pin (2) Screw, #10-24 x 1/2 T25 TORX W/Pin (2) Screw, 1/4-20 x 1" T30 TORX W/Pin (4) Screw, #10-24 x 1/2 T25 TORX W/Pin</p>
03135-09-000	Security Screw Pack 2600	 <p>(2) Screw, #8-32 X 3/8 T20 TORX W/Pin (2) Screw, #10-24 X 3/8 TORX FHMS W/Pin (2) Screw, #10-24 x 1/2 T25 TORX W/Pin (2) Screw, 1/4-20 x 1" T30 TORX W/Pin (4) Screw, #10-24 x 1/2 T25 TORX W/Pin</p>
03233-09-SST	Screw Pack, 2100 2200 2300 Device Hex	 <p>(4) Screw, #10-24 X 1-1/2 POHMS (4) Screw, #10-16 X 1 POHSMS Hex Dogging Key (2) Screw, #10-24 X 1/2 PPHMS (2) Screw, #10-16 X 1 PPHMS (2) Washer, #10 External Tooth</p>
03234-09 *	Screw Pack, 2600 Device Hex (Consist of (1) 02116-09. (2) 02114-09 and a 00220-93 Dogging Key.)	 <p>(2) Screw, #10-24 X 1-1/2 POHMS (2) Screw, #10-16 X 1 POHSMS (2) Pin, Pilot (2) Screw, #10-24 X 1/2 PPHMS (2) Washer, #10 External Tooth Roll Pin, 3/16 X 5/8 (2) Screw, #10-16 X 1 PPHMS (4) Screw, #10-24 X 1/2 POHMS W/Nyloc (4) Washer, Finish, #10 Hex Dogging Key</p>

Part Number	Description	Contents
03235-09 *	Screw Pack, 2600 LBR Device Hex (Consist of (1) 02116-09. (1) 02114-09 and a 00220-93 Dogging Key.)	 <ul style="list-style-type: none"> (2) Screw, #10-24 X 1-1/2 POHMS (2) Screw, #10-16 X 1 POHSMS (2) Pin, Pilot (2) Screw, #10-24 X 1/2 PPHMS (2) Washer, #10 External Tooth Roll Pin, 3/16 X 5/8 (2) Screw, #10-16 X 1 PPHSMS (2) Screw, #10-24 X 1/2 POHMS W/Nyloc (2) Washer, Finish, #10 Hex Dogging Key
03236-09-000	Screw Pack, 2700 Hex (Consists of Screw Pack 02101-09 and (2) 02117-09 and a 00220-93 Dogging Key.)	 <ul style="list-style-type: none"> (4) Screw, #10-24 X 1-1/2 POHMS (4) Screw, #10-16 X 1 POHSMS (2) Screw, #10-16 X 1 PPHSMS (2) Screw, #10-24 X 1/2 PPHMS (2) Washer, #10 External Tooth Type (6) Screw, #10-16 X 1 PFHMSM (2) Roll Pin, 3/16 X 5/8 Hex Dogging Key
03237-09-000	Screw Pack, 2700 LBR Device Hex (Consists of Screw Pack 02101-09 and (1) 02117-09 and a 00220-93 Dogging Key.)	 <ul style="list-style-type: none"> (4) Screw, #10-24 X 1-1/2 POHMS (4) Screw, #10-16 X 1 POHSMS (2) Screw, #10-16 X 1 PPHSMS (2) Screw, #10-24 X 1/2 PPHMS (2) Washer, #10 External Tooth Type (3) Screw, #10-16 X 1 PFHMSM (1) Roll Pin, 3/16 X 5/8 Hex Dogging Key
03238-09 *	Screw Pack, 2800 Device Hex (Consists of Screw Pack 02115-09 and (2) 02114-09 and a 00220-93 Dogging Key.)	 <ul style="list-style-type: none"> (4) Screw, #10-24 X 1-1/2 POHMS (4) Screw, #10-24 X 1/2 PPHMS (2) Screw, #10-24 X 1 POHMS (2) Washer, #10 External Tooth (4) Screw, #10-16 X 1 POHSMS (2) Screw, #10-16 X 1 PPHSMS Roll Pin, 3/16 X 5/8 (4) Screw, #10-24 X 1 POHMS (4) Screw, #10-16 X 1 PPHSMS Hex Dogging Key

Part Number	Description	Contents
03239-09 *	Screw Pack, 2800 LBR Device Hex (Consists of Screw Pack 02115-09 and (1) 02114-09 and a 00220-93 Dogging Key.)	 <p data-bbox="972 300 1349 611"> (4) Screw, #10-24 X 1-1/2 POHMS (4) Screw, #10-24 X 1/2 PPHMS (2) Screw, #10-24 X 1 POHMS (2) Washer, #10 External Tooth (4) Screw, #10-16 X 1 POHSMS (2) Screw, #10-16 X 1 PPHSMS Roll Pin, 3/16 X 5/8 (2) Screw, #10-24 X 1 POHMS (2) Screw, #10-16 X 1 PPHSMS Hex Dogging Key </p>
03240-09-SST	Screw Pack, 2400, 5100, 5200	 <p data-bbox="972 747 1349 930"> (2) Screw, #10-24 X 1-1/2 POHMS (2) Screw, #10-16 X 1 PPHSMS (2) Screw, #10-24 X 1/2 PPHMS (2) Screw, #10-16 X 1 POHSMS (2) Washer, #10 External Tooth Hex Dogging Key </p>

* Specify finish when ordering these parts.

9

GLOSSARY

ALK	Exit alarm, battery operated.
ALW	Exit alarm, remote powered.
Armored front	The mortise lock front and faceplate designed to prevent tampering with the cylinder clamp screw and case mounting screws.
Backset	The distance from the faceplate to the center of the cylinder or lever.
BRL	Braile touchbar.
Cam	See <i>Cylinder cam</i> .
Core	See <i>Interchangeable core</i> .
Cylinder	See <i>Mortise cylinder</i> .
Cylinder cam	A rotating part of a keyed cylinder that drives the deadbolt or latchbolt.
CD	Cylinder dogging.
Cylinder ring	A metal ring that fits around the cylinder and protects it from tampering. The cylinder ring also spaces the cylinder out to the right position.
CVR	Concealed vertical rod.
DE	Delayed egress.
Door bevel	The angle on the edge of a door.
Door status sensor	A sensor that monitors whether the door is open or closed. This sensor is used to detect a forced entry, or a door that is propped open.
DS	Door position monitoring switch.
E	Electric device.
ELR	Electric latch retraction.

Escutcheon	A surface-mounted plate that covers holes that were made in the door for levers and cylinders.
Faceplate	A finished part of a mortise lock that covers the armored front. See <i>Armored front</i> .
Figure-8	The basic shape of the interchangeable core and its housing (door lever, cylinder, padlock, and so forth.). See also <i>Interchangeable core</i> .
FL	Fire exit hardware.
Hand of door	The swing direction of the door as viewed from the outside of the door. A right-handed (RH) door is hinged on the right and swings inward. A left-handed (LH) door is hinged on the left and swings inward. If either of these doors swings outward, it becomes a right-hand reverse bevel (RHRB) door, or a left-hand reverse bevel (LHRB) door respectively.
HC	Windstorm and hurricane code device.
Interchangeable core	A figure-8 shaped device that contains all mechanical parts for a masterkeyed system. The interchangeable core can be removed by a special control key and can be recombined without disassembling the lock. See also <i>Figure-8</i> .
Key override	An optional feature that enables an authorized user (in an emergency) to bypass all electronic locking features, and open the lock with a mechanical key.
Latch status sensor	A sensor that monitors whether the latchbolt is extended or retracted. This sensor can be used in combination with the door status sensor to determine whether the door is fully secure. See also <i>LD/LDS</i> .
LD	Less dogging.
LDS	Latchbolt monitoring double switch.
Lock function	An ANSI code number describing the way a lock operates.
LS	Latchbolt monitoring switch.
Mortise cylinder	A threaded lock cylinder that screws directly into the lock case. A key-driven rotating cam, attached to the back, drives the locking mechanism.
Mortise	A rectangular cavity cut into the edge of a door. Also can mean the act of making such a cavity.
Mortise lock	A lock that fits into a mortise. Other locks fit into bored holes or mount to a surface. See also <i>Mortise</i> .
Q	Wireless access management system.
Removable core	See <i>Interchangeable core</i> .
Request-to-exit switch	A switch that allows the user to exit without setting off an alarm. When wired to an alarm system, a TD or TDS switch sends a signal to disable or sound an alarm, start a timer, and so forth.
SEC	Security screws.

SNB	Sex nuts and bolts.
SVR	Surface vertical rod.
Tailpiece	A part that extends from the back of the cylinder and engages an exit device mechanism.
TDS	Touchbar monitoring double switch. See also <i>Request-to-exit switch</i> .
Template	A precise, detailed hole pattern that serves as a guide for the mortising and drilling of doors and frames.
TS	Touchbar monitoring switch. See also <i>Request-to-exit switch</i> .
Wire harness	A group of wires bundled together with connectors at either end.
WALW	Weatherized exit alarm, remote powered.
WTDS	Weatherize touchbar monitoring double switch. See also <i>Request-to-exit switch</i> .
WTS	Weatherize touchbar monitoring switch. See also <i>Request-to-exit switch</i> .

INDICES

INDEX BY PART NUMBER

00108-52, Bracket, Touchbar	5-3, 5-5
00110-52, Bumper	5-3, 5-5
00111-52, Beam	5-3, 5-5
00114-52, Dogging Hook	5-6
00115-52, Bracket, Hex Key	5-6
00116-52, Dogging Cam	5-6
00120-52, Device Channel	4-4
00121-52, Device Channel	4-4
00122-52, Device Channel	4-4
00124-03, Rod Guide Pack	7-4, 7-5
00126-51, Cam Slide, 2600	6-12
00128-52, Device Channel	4-4
00130-52, Device Channel	4-4
00131-89, Spring, ELR Touchbar	5-5
00131-89, Spring, Touchbar	5-3
00146-89, Spring, Deadlock Release	6-4
00149-52, Endcap Cover	4-3
00151-51, Top Plate	6-4
00153-90, Pin, Pivot, Vertical Lift	6-7, 6-8, 6-13, 6-14
00154-90, Latchbolt Pivot Pin, Rim	6-4
00157-02, Touchpad Sub-assembly	4-4
00158-02, Touchpad Sub-assembly	4-4
00159-02, Touchpad Sub-assembly	4-4
00163-02, Touchbar Mechanism	5-2
00164-02, Touchbar Mechanism	5-2
00165-02, Touchbar Mechanism	5-2
00166-02, Touchbar Mechanism	5-2
00167-02, Touchbar Mechanism	5-2
00168-02, Touchbar Mechanism	5-2
00169-02, Touchbar Mechanism	5-2
00170-02, Touchbar Mechanism	5-2
00171-02, Touchbar Mechanism	5-2
00172-02, ELR Touchbar Mechanism	5-4

Part Number	Page	Part Number	Page
00172-02, Touchbar Mechanism ELRK-3	8-2	00307-06, LS- Latchbolt Switch LSRK298	8-3
00173-02, ELR Touchbar Mechanism	5-4	00308-06, LDS-Double Switch LDSRK299	8-3
00173-02, Touchbar Mechanism ELRKF-3	8-2	00309-06, TS - Touchbar Switch TSK309	8-3
00174-02, ELR Touchbar Mechanism	5-4	00310-06, TDS - Double Switch TDS310	8-3
00175-02, ELR Touchbar Mechanism	5-4	00322-54, B Grip	3-11
00175-02, Touchbar Mechanism ELRK-4	8-2	00323-54, A Grip	3-11
00176-02, ELR Touchbar Mechanism	5-4	00324-54, C Grip	3-6, 3-11
00176-02, Touchbar Mechanism ELRKF-4	8-2	00335-51, Device Lift Finger	6-8
00177-02, ELR Touchbar Mechanism	5-4	00343-03, Center Case Assembly, 2600	7-8
00196-03, Top Latch Assembly, CVR Metal	7-7	00344-03, Center Case Assembly, 2800	7-8
00220-93, Dogging Key	5-6	00353-01, 2200 Rod Carriage	6-7
00220-93, Dogging Key	4-5	00354-51, Vertical Lift Bracket	6-7, 6-8, 6-13, 6-14
00222-50, Stud, Trim	3-6	00355-51, Device Lift Finger	6-13, 6-14
00226-51, Latchbolt	6-4	00363-51, Cylinder cam	6-15
00228-90, Retaining Ring, shaft	5-5	00366-91, Retaining Ring	6-15
00228-91, Retaining Ring	5-3, 5-5	00369-01, Backplate Assembly	6-15
00228-91, Retaining Ring, Shaft	6-4, 6-7, 6-8, 6-13, 6-14, 7-7	00370-01, Backplate Assembly	6-15
00229-90, Pin, Pivot, Touchbar Lever ...	6-4, 6-6, 6-8, 6-13, 6-14	00382-90, Roll Pin, 1/8 X 7/8	6-7
00232-58, Shim, Strike	7-2, 8-5	00382-90, Roll Pin, 1/8 X 7/8	3-9
00233-50, Stud, Hex	3-6	00383-51, Rod Stud	6-7
00236-52, Plain Hinge Filler	4-5	00385-89, Spring, Latchbolt	6-4
00237-52, Plain Hinge Filler	4-5	00396-03, Top Latch Assembly, CVR Wood	7-7
00238-52, Plain Hinge Filler	4-5	00400-90, Pin, Headed Pivot, .188 X 1.125	6-9, 7-7
00239-52, Plain Hinge Filler	4-5	00408-90, Roll Pin, 3/16 X 5/8	7-7
00240-52, Hex Hinge Filler	4-5	00410-53, Inner Rod, CVR, Metal	7-7
00241-52, Hex Hinge Filler	4-5	00411-53, Adjusting Tube, 8 ft	7-7
00242-52, Hex Hinge Filler	4-5	00412-91, Retaining Ring	6-15
00243-52, Hex Hinge Filler	4-5	00412-91, Retaining Ring, .438 Shaft	6-5, 6-11, 6-12
00248-52, Hinge Filler for 00491-06	4-6	00414-39, Trim Finger	3-5
00248-52, Hinge Filler for 00493-06	4-6	00416-91, Screw, #8-32 X .275	5-5
00249-52, Hinge Filler for 00492-06	4-6	00416-91, Screw, #8-32 x .275	6-4, 6-7, 6-8, 6-10, 6-11, 6-12, 6-13, 6-14
00249-52, Hinge Filler for 00494-06	4-6	00416-91, Screws, #8-32 x.275	6-15
00250-52, Hinge Filler for 00586-06	4-6	00449-90, Pin, Pivot	5-3, 5-5
00250-52, Hinge Filler for 00588-06	4-6	00453-53, Transom Bracket for S300 Strike	8-5
00251-52, Hinge Filler for 00587-06	4-6	00458-08, Strike Kit, Roller, Narrow S458	7-2
00251-52, Hinge Filler for 00589-06	4-6	00459-08, Strike Kit, Double Door S459	7-2
00252-52, Dogging Fastener	5-6, 6-5	00460-08, Strike Kit, Bottom	7-4
00253-91, 1/4 Curved Spring Washer ...	5-6, 6-11	00460-08, Strike Kit, Bottom S460	7-2
00254-91, E-clip, .250 dia Shaft	5-6, 6-5	00463-91, Screw, #8-32 X 3/8 PHMS	6-5
00270-52, Endcap Cover	4-3	00485-51, Rod Carriage, Apex	6-8, 6-13, 6-14
00279-51, Touch Bar Lever	6-4, 6-6, 6-8, 6-13, 6-14	00485-51, Rod Carriage,	6-7
00280-51, Rod Carriage Lever	6-7, 6-8, 6-13, 6-14	00489-02, CD Hinge Filler	4-5
00282-51, Cylinder cam	6-15	00490-02, CD Hinge Filler	4-5
00284-51, Deadlock Release	6-4	00491-06, Alarm- ALK Filler	4-5
00295-01, Fire Latchbolt Assembly	6-4	00491-06, Exit Alarm	8-4
00296-03, Top Latch Assembly, SVR	7-5	00492-06, Alarm- ALK Filler	4-5
00300-08, Strike Kit, S300	7-2	00492-06, Exit Alarm	8-4
00300-08, Strike Kit, Standard, S300	7-5	00493-06, Alarm - ALW Filler	4-5
00301-08, Strike Kit, Roller, S301	7-2	00493-06, Exit Alarm	8-4
00305-02, Endcap Mounting Bracket	4-3		

Part Number	Page	Part Number	Page
00494-06, Alarm - ALW Filler	4-5	00797-01, 2300 RHRB Rod Carriage	6-9
00494-06, Exit Alarm	8-4	00798-51, Adapter, 2700	6-13
00498-01, 2400Chassis Assembly	6-11	00799-90, Roll Pin, 1/8 X 1/2	6-13
00499-01, 2400FChassis Assembly	6-11	00800-91, Screw, #8-32 X .625 FHMS ...	6-13, 6-14
00500-01, 2600Chassis Assembly	6-12	00821-01, Trim Locking Assembly	6-5
00505-01, Vertical Lift Assembly	6-7, 6-8, 6-13, 6-14	00822-51, Locking Arm	6-5
00509-91, Screw, #10-24 X 1/2 PPHMS	3-3, 3-5	00823-51, Locking Bracket	6-5
00519-08, Strike Kit, Concealed Top S519	7-2	00824-01, Cylinder Assembly 10 Function	6-5
00525-06, Solenoid/Linkage Assembly ..	5-5	00825-51, Cylinder Cam, 10 Function ..	6-5
00533-01, 2200LBR Rod Carriage	6-7	00826-51, Cylinder Bracket - 10, Rim ...	6-5
00534-01, 2700 Rod Carriage	6-13, 6-14	00827-51, Cylinder Sleeve - 10 Function	6-5, 6-10
00540-53, Bottom Bolt, SVR	7-4	00832-01, Backplate Assembly	6-15
00541-53, Top Rod, 7ft Apex SVR	7-5	00833-01, Backplate Assembly	6-15
00542-53, Top Rod, 8ft	7-5	00837-01, Electric Rim - Lock/Unlock E2103K	8-3
00544-53, Top Rod, 10ft	7-5	00842-01, Backplate Assembly	6-15
00553-03, Bottom Rod Assembly, CVR Metal	7-6	00844-89, Spring, ELR Touchbar	5-5
00556-03, Bottom Rod Assembly, CVR Wood	7-6	00871-89, Spring, Trip	6-11
00567-04, 2000 Escutcheon	3-6	00872-92, "Emergency Exit Only" Label	4-6
00568-04, 2000 Escutcheon	3-6	00892-02, ELR Touchbar Mechanism	5-4
00569-04, 2000 Escutcheon	3-6	00892-02, Touchbar Mechanism NELRK-3	8-2
00571-04, 2000 Escutcheon	3-6	00893-02, ELR Touchbar Mechanism	5-4
00573-04, 2000 Escutcheon	3-6	00893-02, Touchbar Mechanism NELRKF-3	8-2
00586-06, Alarm- ALK Filler	4-5	00894-02, ELR Touchbar Mechanism	5-5
00586-06, Exit Alarm	8-4	00895-02, ELR Touchbar Mechanism	5-5
00587-06, Alarm- ALK Filler	4-5	00895-02, Touchbar Mechanism NELRK-4	8-2
00587-06, Exit Alarm	8-4	00896-02, ELR Touchbar Mechanism	5-5
00588-06, Alarm - ALW Filler	4-5	00896-02, Touchbar Mechanism NELRKF-4	8-2
00588-06, Exit Alarm	8-4	00897-02, ELR Touchbar Mechanism	5-5
00589-06, Alarm - ALW Filler	4-5	00899-06, Alarm Chassis Assembly	4-6
00589-06, Exit Alarm	8-4	00909-51, Cylinder Bracket -10 Mortise	6-10
00591-02, Endcap Mounting Bracket	4-3	00910-06, LS- - Vertical Rods LSVK910 .	8-3
00606-91, Screw, 1/4-20 X .375 Set Screw	6-8	00915-06, Dogging Channel Assembly .	5-5
00607-53, Bottom Rod, Apex SVR	7-4	00916-06, Dogging Channel Assembly .	5-5
00617-91, Retaining Ring	3-4	00922-08, Strike Kit, Mortise 1-1/4 Lip .	7-3
00625-51, Touchbar Guard, Wide Stile .	6-4, 6-6, 6-8, 6-13, 6-14	00923-08, Strike Kit, Mortise 7/8 Lip	7-3
00639-06, Solenoid/Linkage Assembly ..	5-5	00924-08, Strike Kit, Mortise 4-7/8 Open Back	7-3
00646-04, Lever	3-4	00925-08, Strike Kit, Mortise 8 in Open Back	7-3
00647-04, Lever	3-4	00929-02, CD Hinge Filler	4-5
00648-04, Lever	3-4	00930-02, CD Hinge Filler	4-5
00649-04, Lever	3-4	00952-51, Fire Pin, Narrow Stile	6-11
00650-04, Lever	3-4	00953-51, Fire Spacer, Narrow Stile	6-11
00671-90, Groove Pin, .188 X.75	3-5	00954-54, Trim Stud	3-11
00672-92, "Arm/Disarm" Label	4-6	00982-08, Strike Kit, Mortise 1-1/4 Lip .	7-3
00681-06, Yoke Assembly, ELR	5-5	00983-08, Strike Kit, Mortise 7/8 Lip	7-3
00699-06, Alarm Chassis Assembly	4-6	00984-08, Strike Kit, Mortise 4-7/8 Open Back	7-3
00701-02, Dogging Channel Assembly .	5-3	00985-08, Strike Kit, Mortise 8 in Open Back	7-3
00702-02, Dogging Channel Assembly .	5-3	00988-08, Strike Kit, Roller, Aluminum Door S986	7-2
00703-02, Dogging Channel Assembly .	5-3	00994-09, Shim Kit, Apex Wide Stile	8-5
00774-02, Door Position Switch Kit	8-3	00995-09, Shim Kit, Apex Narrow Stile	8-5
00775-02, Endcap Device	4-3	00996-93, Short Arm 5/32 Hex Wrench	8-4
00776-02, Door Position Switch Kit	8-3	01001-03, Top Latch Kit, SVR, Apex	7-5
00777-02, Endcap Device	4-3	01003-03, Top Latch Kit, CVR Meta	7-7
		01004-03, Top Latch Kit, CVR Meta	7-7

Part Number	Page	Part Number	Page
01005-03, Top Latch Kit, CVR Wood	7-7	01600-04, Lever Assembly	3-9
01006-03, Top Latch Kit, CVR Wood	7-7	01601-04, Lever Assembly	3-9
01007-03, Bottom Latch Kit, SVR	7-4	01602-04, Lever Assembly	3-9
01011-03, Latch Cover Kit	4-2	01608-91, Screw, #10-24 X 3/8 Hex Head Machine	3-9
01011-03, Latch Cover Kit, Apex	7-4, 7-5		
01064-05, Mortise Scalp Pack	2-5	01625-91, Nut, Hex 3/8-24 W/nylon	3-9
01075-39, Trim Finger	3-5	01627-90, Spiral Pin, 3/16 X 3/4	3-9
01106-51, Latchbolt Narrow Stile	6-11	01630-29, Escutcheon	3-7
01107-51, Cam Plate	6-11, 6-12	01631-29, Escutcheon	3-7
01108-51, Trim Shaft	6-11, 6-12	01642-51, Cylinder cam	6-15
01109-51, Trip	6-11	01657-54, Cylinder Backplate Wide CA-03	3-2
01110-51, Case Hub	6-12	01696-39, Trim Sleeve Bushing	3-4
01111-51, Retainer	6-12	01723-56, Grommet	4-3
01112-58, Shim, CVR Strike	7-2, 8-5	01724-51, Trim Cam 2400	6-11
01113-51, Trim Cam	6-12	01727-39, Lever Washer	3-4
01114-90, Pin, Lever, .187 X 2.312	6-11, 6-12	01854-03, Top Rod SVR Kit 7 Foot	7-5
01115-90, Pin, Latchbolt, 2400	6-11, 6-12	01855-03, Top Rod SVR Kit 8 Foot	7-5
01116-89, Latch Bolt Spring	6-11	01857-03, Top Rod SVR Kit 10 Foot	7-5
01120-91, E-clip, Shaft	6-11, 6-12	01859-03, Bottom Rod Kit SVR	7-4
01121-90, Pivot Pin	6-11, 6-12	01868-91, Washer, Wave, .325 ID X .500 OD	6-5
01143-53, Adjusting Tube, 10 ft	7-7	01922-90, Pin, Link - ELR	5-5
01144-53, Connector, Wood CVR	7-6	01958-49, Top Bracket, 4900	3-3
01145-53, Top Rod, CVR, Wood	7-7	01959-49, Bracket, Bottom, 4900 Trim	3-3
01149-91, Shoulder Screw	7-6	01960-91, Trim Stud, 4900 Trim	3-3
01151-91, Washer, Lock, #10	7-6	01971-04, Yoke Assembly	3-5
01152-91, Washer, Retaining	7-6	01973-04, Yoke Assembly	3-5
01303-03, Fire Bolt Kit FB277	8-5	01977-04, Trim Finger	3-5
01351-04, Grip Kit	3-11	02086-29, Hex Stud 2900 Trim	3-7
01352-04, Grip Kit	3-11	02095-49, Escutcheon	3-3
01353-04, Grip Kit	3-11	02101-09, Screw Pack, 2100 2200 2300 Device	8-5
01354-04, Grip Kit	3-11	02102-09, Screw Pack, 4 Cover Screws	8-5
01355-04, Grip Kit	3-11	02103-09-000, Screw Pack, Endcap Bracket	8-6
01356-04, Grip Kit	3-11	02104-09, Screw Pack, Endcap Screws	8-6
01357-04, Grip Kit	3-11	02104-09, Screw Pack, Endcap Screws	4-3
01358-04, Grip Kit	3-11	02105-09, Screw Pack, Cylinder Dogging	8-6
01359-04, Grip Kit	3-11	02105-09, Cylinder Dogging Attachment Kit	4-5
01362-04, Grip C Kit	3-6	02106-09, Screw Pack, 2 Cover Screws	8-6
01455-39, Beam	3-4	02107-09-000, Screw Pack, 2400	8-6
01456-39, Beam Roller	3-5	02109-09, Screw Pack, Latchbolt Cover	8-6
01460-56, Lens, LED	4-6	02110-09, Screw Pack, 1/2in Blocking Ring, Narrow	W/o Trim 8-6
01520-91, Washer, #10 Flat	3-5, 3-9	02111-09, 2403/2603 No Trim Pack	3-2
01562-29, Escutcheon	3-7	02112-09-000, Screw Pack, Surface Latch	8-6
01565-29, Lock Out Ring, 2900 Trim	3-9	02113-09, Screw Pack, Guide Strap	8-7
01567-91, Washer, Delrin .695 ID X 1.00 OD	3-9	02114-09, Screw Pack, Concealed Latch	8-7
01568-29, Lever Lock	3-9	02115-09-000, Screw Pack, 2800 Active Case	8-7
01575-89, Spring, Torsion, 2900 Trim ..	3-9	02116-09-000, Screw Pack, 2600 Active Case	8-7
01578-04, 2908 Mechanism	3-9	02117-09-000, Screw Pack, 2700 Latch	8-7
01586-89, Spring, Torsion, 2900 Trim ..	3-9	02118-09, Screw Pack, Mortise Lock	8-7
01587-29, Mandrel	3-9	02118-09, Screw Pack, Mortise Lock	2-5
01593-04, Lever Assembly	3-9	02119-09, Screw Pack, 2000	8-7
01594-04, Lever Assembly	3-9	02120-09, Screw Pack, A And C Grip	8-8
01595-04, Lever Assembly	3-9	02121-09, Screw Pack, B Grip	8-8
01596-04, Lever Assembly	3-9	02122-09, Rim Cylinder Attachment	3-2
01599-04, Lever Assembly	3-9		

Part Number	Page	Part Number	Page
02124-09, 2908 Cylinder Attachment CA2809	3-2	02549-05, M310	2-5
02125-09-000, Screw Pack, C03 Trim	8-8	02550-05, M310F	2-5
02129-09-000, Screw Pack, 2000Trim	8-8	02551-05, LSM308	2-5
02130-52, Touchbar Guide	5-3, 5-5	02551-05, Mortise Lock, LSM308	8-4
02133-04, Escutcheon	3-3	02552-05, LSM308F	2-5
02134-04, Escutcheon	3-3	02552-05, Mortise Lock, LSM308F	8-4
02135-04, Escutcheon	3-3	02553-05, LSM303	2-5
02181-04, Yoke Assembly	3-5	02553-05, Mortise Lock, LSM303	8-4
02183-04, Yoke Assembly	3-5	02554-05, LSM303F	2-5
02188-06, Armored Flex Conduit, 18 inches EPT2	8-2	02554-05, Mortise Lock, LSM303F	8-4
02189-06, Door Loop EPT5	8-2	02555-05, EM303	2-5
02230-09-000, Screw Pack, 2700	8-8	02555-05, Mortise Lock, LSM308	8-4
02231-09-000, Screw Pack, 2700 LBR Device	8-8	02556-05, EM303F	2-5
02232-09, Screw Pack, 2800 Device	8-9	02556-05, Mortise Lock, LSEM308F	8-4
02233-09, Screw Pack, 2800 LBR Device	8-9	02557-05, LSEM303	2-5
02234-09, Screw Pack, 2600 Device	8-9	02557-05, Mortise Lock, LSEM303	8-4
02235-09, Screw Pack, 2600 LBR Device	8-9	02558-05, LSEM303F	2-5
02262-09-000, Security Screw Pack 2100, 21 Devices	8-10	02558-05, Mortise Lock, LSEM303F	8-4
02263-09-000, Security Screw Pack 2200, 22	8-10	02561-01, 2200 LHRB Active Case	6-6
02264-09-000, Security Screw Pack 2200LBR, 22LBR	8-10	02562-01, 2200LBR LHRB Active Case	6-6
02265-09-000, Security Screw Pack 2400	8-10	02563-01, 2300 LHRB Active Case	6-8
02271-01, 2100Active Case	6-4	02564-01, 2700 RHRB Active Case	6-13, 6-14
02272-01, 2100FActive Case	6-4	02646-01, 2300 LHRB Rod Carriage	6-9
02273-01, 2200 RHRB Active Case	6-6	02717-04, Escutcheon Kit	3-3
02274-01, 2300 RHRB Active Case	6-8	02718-04, Escutcheon Kit	3-3
02279-03, Center Case, 2800LBR	7-8	02719-04, Escutcheon Kit	3-3
02280-03, Center Case, 2600LBR	7-8	02720-04, Escutcheon Kit	3-3
02281-01, 2100 Cover Kit	4-7	02721-04, Lever Kit	3-4
02283-01, 2110 RHRB Cover Kit	4-7	02722-04, Lever Kit	3-4
02285-01, 2110 LHRB Cover Kit	4-7	02723-04, Lever Kit	3-4
02287-01, 2200 Cover Kit	4-7	02724-04, Lever Kit	3-4
02306-01, Lock Side Filler Kit	4-2	02725-04, Lever Kit	3-4
02309-09, Hardware Pack	4-6	02726-04, Lever Kit	3-4
02310-09, Hardware Pack	4-6	02727-04, Lever Kit	3-4
02316-01, 2200LBR RHRB Active Case	6-6	02728-04, Lever Kit	3-4
02317-04, Cast Plate C03	3-2	02729-04, Lever Kit	3-4
02318-06, ELR150 Power Supply – no devices	8-2	02730-04, Yoke Kit	3-5
02320-01, 2700 LHRB Active Case	6-13, 6-14	02731-04, Yoke Kit	3-5
02354-03, Bottom Latch Channel, CVR Metal	7-6	02734-04, Yoke Kit	3-5
02355-03, Bottom Latch Channel, CVR Wood	7-6	02735-04, Yoke Kit	3-5
02356-03, Bottom Latch Channel Assembly, SVR	7-4	02736-04, Yoke Kit	3-5
02464-01, 2300/2700/2800 Cover Kit	4-7	02737-04, Yoke Kit	3-5
02466-01, 2310 RHRB Cover Kit	4-7	02738-04, Lever Spring Kit	3-5
02468-01, 2310 LHRB Cover Kit	4-7	02740-04, Yoke Assembly	3-5
02470-01, 2400 Cover Kit	4-7	02741-04, Yoke Assembly	3-5
02472-01, 2600 Cover Kit	4-7	02742-04, Yoke Assembly	3-5
02543-05, M303	2-5	02743-04, Yoke Assembly	3-5
02544-05, M303F	2-5	02744-04, Yoke Kit	3-5
02545-05, M308	2-5	02745-04, Yoke Kit	3-5
02547-05, M310	2-5	02751-04, Escutcheon Kit	3-7
02548-05, M310F	2-5	02752-04, Escutcheon Kit	3-7
		02753-04, Escutcheon Kit	3-7
		02756-04, Grip Kit	3-11
		02757-04, Grip Kit	3-11

Part Number	Page	Part Number	Page
02758-04, Grip Kit	3-11	03234-09, Screw Pack, 2600 Device Hex	8-11
02759-04, Grip Kit	3-11	03235-09, Screw Pack, 2600 LBR Device Hex	8-12
02782-06, ELR151 Power Supply – 1 devices	8-2	03236-09-000, Screw Pack, 2700 Hex ...	8-12
02783-06, ELR152 Power Supply – 2 devices	8-2	03237-09-000, Screw Pack, 2700 LBR Device Hex	8-12
02784-06, ELR153 Power Supply – 3 devices	8-2	03238-09, Screw Pack, 2800 Device Hex	8-12
02785-06, ELR154 Power Supply – 4 devices	8-2	03239-09, Screw Pack, 2800 LBR Device Hex	8-13
02788-06, ELR, Control Module Kit CM150-08	8-2	03240-09-SST, Screw Pack, 2400, 5100, 5200	8-13
02789-06, ELR, Battery Backup Kit BT150-07	8-2	03244-09, Lock Front Filler Kit 2700	4-2
02813-05, M303	2-5	03304-02, Endcap Device	4-3
02814-05, M303F.....	2-5	03305-02, Endcap Device	4-3
02815-05, M308	2-5	05124-51, LBR Cover Plug	4-7, 7-5
02816-05, M308F.....	2-5	05139-90, Extended Pilot Pins	7-8
02817-05, LSM308.....	2-5	05154-51, Extended Case Hub	6-12
02817-05, Mortise Lock, LSM308	8-4	05197-53, Top Rod, 12ft	7-5
02818-05, LSM308F.....	2-5	05244-09, Long Bottom Rod Kit, CVR Metal	7-6
02818-05, Mortise Lock, LSM308F	8-4	05246-09, Long Bottom Rod Kit, CVR Wood	7-6
02819-05, LSM303.....	2-5	05247-09, Long Bottom Rod Kit	7-4
02819-05, Mortise Lock, LSM303	8-4	05267-06, Q-Option for Rim QSRK5267	8-3
02820-05, LSM303F.....	2-5	05268-06, Q-Option for Vertical Rod QSRK5268	8-3
02820-05, Mortise Lock, LSM303F	8-4	05290-52, Consolidated Subplate	5-6
02821-05, EM303	2-5	05291-52, Consolidated Subplate	5-6
02821-05, Mortise Lock, LSM308	8-4	05292-52, Consolidated Subplate	5-6
02822-05, EM303F.....	2-5	05301-02, Sub-Bracket Assembly	5-3
02822-05, Mortise Lock, LSEM308F	8-4	05302-02, Sub-Bracket Assembly	5-3
02823-05, LSEM303.....	2-5	05303-02, Sub-Bracket Assembly	5-3
02823-05, Mortise Lock, LSEM303	8-4	05304-02, Sub-Bracket Assembly	5-3
02824-05, LSEM303F.....	2-5	05305-02, Hex/cyl Sub-bracket Assembly	5-5
02824-05, Mortise Lock, LSEM303F	8-4	05305-02, Sub-Bracket Assembly	5-3
02826-04, Lever Kit	3-8	05306-02, Hex/cyl Sub-bracket Assembly	5-5
02827-04, Lever Kit	3-8	05306-02, Sub-Bracket Assembly	5-3
02828-04, Lever Kit	3-8	05307-02, Hex/cyl Sub-bracket Assembly	5-5
02829-04, Lever Kit	3-8	05308-02, Hex/cyl Sub-bracket Assembly	5-5
02830-04, Lever Kit	3-8	05510-04, 1700 Trim Plate	3-10
02831-04, Lever Kit	3-8	05511-04, 1700 Trim Plate	3-10
02832-04, Lever Kit	3-8	05512-04, 1700 Trim Plate	3-10
02833-04, Lever Kit	3-8	055130-04, 1700 Trim Plate	3-10
02834-04, Lever Kit	3-8	05514-04, 1700 Trim Plate	3-10
02835-04, Lever Kit	3-8	05515-04, 1700 Trim Plate	3-10
02836-04, Lever Kit	3-8	05516-04, 1700 Trim Plate	3-10
02837-04, Lever Kit	3-8	05517-04, 1700 Trim Plate	3-10
02838-04, Lever Kit	3-8	05518-04, 1700 Trim Plate	3-10
02839-04, Lever Kit	3-8	05519-04, 1700 Trim Plate	3-10
02840-04, Lever Kit	3-8	05520-04, 1700 Trim Plate	3-10
02841-04, Lever Kit	3-8	05521-04, 1700 Trim Plate	3-10
02845-09-000, Screw Pack, Surface Latch	8-10	05522-04, 1700 Trim Plate	3-10
02948-03, Connector Assembly	7-7	05523-04, 1700 Trim Plate	3-10
02948-03, Connector Assembly 2700 ...	7-6	05524-04, 1700 Trim Plate	3-10
02985-04, Screw Pack For Dummy Trim	8-10	05526-04, 1700 Trim Plate	3-10
03131-09-000, Security Screw Pack 2300	8-11	05527-04, 1700 Trim Plate	3-10
03132-09-000, Security Screw Pack 2700	8-11	05528-04, 1700 Trim Plate	3-10
03133-09-000, Security Screw Pack 2800	8-11		
03135-09-000, Security Screw Pack 2600	8-11		
03233-09-SST, Screw Pack, 21-22-2300 Device	8-11		

Part Number

Page

Part Number

Page

INDEX BY PART TYPE

Active Case

02320-01, 2700 LHRB Active Case	6-13, 6-14
00295-01, Fire Latchbolt Assembly	6-4
00353-01, 2200 Rod Carriage	6-7
00369-01, Backplate Assembly	6-15
00370-01, Backplate Assembly	6-15
00498-01, 2400Chassis Assembly	6-11
00499-01, 2400FChassis Assembly	6-11
00500-01, 2600Chassis Assembly	6-12
00505-01, Vertical Lift Assembly	6-7, 6-8, 6-13, 6-14
00533-01, 2200LBR Rod Carriage	6-7
00534-01, 2700 Rod Carriage	6-13, 6-14
00797-01, 2300 RHRB Rod Carriage	6-9
00821-01, Trim Locking Assembly	6-5
00824-01, Cylinder Assembly 10 Function	6-5
00832-01, Backplate Assembly	6-15
00833-01, Backplate Assembly	6-15
00837-01, Electric Rim - Lock/Unlock E2103K	8-3
00842-01, Backplate Assembly	6-15
02271-01, 2100Active Case	6-4
02272-01, 2100FActive Case	6-4
02273-01, 2200 RHRB Active Case	6-6
02274-01, 2300 RHRB Active Case	6-8
02281-01, 2100 Cover Kit	4-7
02283-01, 2110 RHRB Cover Kit	4-7
02285-01, 2110 LHRB Cover Kit	4-7
02287-01, 2200 Cover Kit	4-7
02306-01, Lock Side Filler Kit	4-2
02316-01, 2200LBR RHRB Active Case	6-6
02464-01, 2300/2700/2800 Cover Kit	4-7
02466-01, 2310 RHRB Cover Kit	4-7
02468-01, 2310 LHRB Cover Kit	4-7
02470-01, 2400 Cover Kit	4-7
02472-01, 2600 Cover Kit	4-7
02561-01, 2200 LHRB Active Case	6-6
02562-01, 2200LBR LHRB Active Case	6-6
02563-01, 2300 LHRB Active Case	6-8
02564-01, 2700 RHRB Active Case	6-13, 6-14
02646-01, 2300 LHRB Rod Carriage	6-9

Touchbar

00157-02, Touchpad Sub-assembly	4-4
00158-02, Touchpad Sub-assembly	4-4
00159-02, Touchpad Sub-assembly	4-4
00163-02, Touchbar Mechanism	5-2
00164-02, Touchbar Mechanism	5-2
00165-02, Touchbar Mechanism	5-2
00166-02, Touchbar Mechanism	5-2

00167-02, Touchbar Mechanism	5-2
00168-02, Touchbar Mechanism	5-2
00169-02, Touchbar Mechanism	5-2
00170-02, Touchbar Mechanism	5-2
00171-02, Touchbar Mechanism	5-2
00172-02, ELR Touchbar Mechanism	5-4
00172-02, Touchbar Mechanism ELRK-3	8-2
00173-02, ELR Touchbar Mechanism	5-4
00173-02, Touchbar Mechanism ELRKF-3	8-2
00174-02, ELR Touchbar Mechanism	5-4
00175-02, ELR Touchbar Mechanism	5-4
00175-02, Touchbar Mechanism ELRK-4	8-2
00176-02, ELR Touchbar Mechanism	5-4
00176-02, Touchbar Mechanism ELRKF-4	8-2
00177-02, ELR Touchbar Mechanism	5-4
00305-02, Endcap Mounting Bracket	4-3
00489-02, CD Hinge Filler	4-5
00490-02, CD Hinge Filler	4-5
00591-02, Endcap Mounting Bracket	4-3
00701-02, Dogging Channel Assembly	5-3
00702-02, Dogging Channel Assembly	5-3
00703-02, Dogging Channel Assembly	5-3
00774-02, Door Position Switch Kit	8-3
00775-02, Endcap Device	4-3
00776-02, Door Position Switch Kit	8-3
00777-02, Endcap Device	4-3
00892-02, ELR Touchbar Mechanism	5-4
00892-02, Touchbar Mechanism NELRK-3	8-2
00893-02, ELR Touchbar Mechanism	5-4
00893-02, Touchbar Mechanism NELRKF-3	8-2
00894-02, ELR Touchbar Mechanism	5-5
00895-02, ELR Touchbar Mechanism	5-5
00895-02, Touchbar Mechanism NELRK-4	8-2
00896-02, ELR Touchbar Mechanism	5-5
00896-02, Touchbar Mechanism NELRKF-4	8-2
00897-02, ELR Touchbar Mechanism	5-5
00929-02, CD Hinge Filler	4-5
00930-02, CD Hinge Filler	4-5
03304-02, Endcap Device	4-3
03305-02, Endcap Device	4-3
05301-02, Sub-Bracket Assembly	5-3
05302-02, Sub-Bracket Assembly	5-3
05303-02, Sub-Bracket Assembly	5-3
05304-02, Sub-Bracket Assembly	5-3
05305-02, Hex/cyl Sub-bracket Assembly	5-5
05305-02, Sub-Bracket Assembly	5-3
05306-02, Hex/cyl Sub-bracket Assembly	5-5
05306-02, Sub-Bracket Assembly	5-3
05307-02, Hex/cyl Sub-bracket Assembly	5-5
05308-02, Hex/cyl Sub-bracket Assembly	5-5

Part Number	Page	Part Number	Page
Vertical Rod Latches			
00124-03, Rod Guide Pack	7-4, 7-5	01593-04, Lever Assembly	3-9
00196-03, Top Latch Assembly, CVR Metal	7-7	01594-04, Lever Assembly	3-9
00296-03, Top Latch Assembly, SVR	7-5	01595-04, Lever Assembly	3-9
00343-03, Center Case Assembly, 2600	7-8	01596-04, Lever Assembly	3-9
00344-03, Center Case Assembly, 2800	7-8	01599-04, Lever Assembly	3-9
00396-03, Top Latch Assembly, CVR Wood	7-7	01600-04, Lever Assembly	3-9
00553-03, Bottom Rod Assembly, CVR Metal	7-6	01601-04, Lever Assembly	3-9
00556-03, Bottom Rod Assembly, CVR Wood	7-6	01602-04, Lever Assembly	3-9
01001-03, Top Latch Kit, SVR, Apex	7-5	01971-04, Yoke Assembly	3-5
01003-03, Top Latch Kit, CVR Meta	7-7	01973-04, Yoke Assembly	3-5
01004-03, Top Latch Kit, CVR Meta	7-7	01977-04, Trim Finger	3-5
01005-03, Top Latch Kit, CVR Wood	7-7	02133-04, Escutcheon	3-3
01006-03, Top Latch Kit, CVR Wood	7-7	02134-04, Escutcheon	3-3
01007-03, Bottom Latch Kit, SVR	7-4	02135-04, Escutcheon	3-3
01011-03, Latch Cover Kit	4-2	02181-04, Yoke Assembly	3-5
01011-03, Latch Cover Kit, Apex	7-4, 7-5	02183-04, Yoke Assembly	3-5
01303-03, Fire Bolt Kit FB277	8-5	02317-04, Cast Plate C03	3-2
01854-03, Top Rod SVR Kit 7 Foot	7-5	02717-04, Escutcheon Kit	3-3
01855-03, Top Rod SVR Kit 8 Foot	7-5	02718-04, Escutcheon Kit	3-3
01857-03, Top Rod SVR Kit 10 Foot	7-5	02719-04, Escutcheon Kit	3-3
01859-03, Bottom Rod Kit SVR	7-4	02720-04, Escutcheon Kit	3-3
02279-03, Center Case Assembly, 2800LBR	7-8	02721-04, Lever Kit	3-4
02280-03, Center Case Assembly, 2600LBR	7-8	02722-04, Lever Kit	3-4
02354-03, Bottom Latch Channel, CVR Metal	7-6	02723-04, Lever Kit	3-4
02355-03, Bottom Latch Channel, CVR Wood	7-6	02724-04, Lever Kit	3-4
02356-03, Bottom Latch Channel Assembly, SVR	7-4	02725-04, Lever Kit	3-4
02948-03, Connector Assembly	7-7	02726-04, Lever Kit	3-4
02948-03, Connector Assembly 2700 ...	7-6	02727-04, Lever Kit	3-4
Trim			
00567-04, 2000 Escutcheon	3-6	02728-04, Lever Kit	3-4
00568-04, 2000 Escutcheon	3-6	02729-04, Lever Kit	3-4
00569-04, 2000 Escutcheon	3-6	02730-04, Yoke Kit	3-5
00571-04, 2000 Escutcheon	3-6	02731-04, Yoke Kit	3-5
00573-04, 2000 Escutcheon	3-6	02734-04, Yoke Kit	3-5
00646-04, Lever	3-4	02735-04, Yoke Kit	3-5
00647-04, Lever	3-4	02736-04, Yoke Kit	3-5
00648-04, Lever	3-4	02737-04, Yoke Kit	3-5
00649-04, Lever	3-4	02738-04, Lever Spring Kit	3-5
00650-04, Lever	3-4	02740-04, Yoke Assembly	3-5
01351-04, Grip Kit	3-11	02741-04, Yoke Assembly	3-5
01352-04, Grip Kit	3-11	02742-04, Yoke Assembly	3-5
01353-04, Grip Kit	3-11	02743-04, Yoke Assembly	3-5
01354-04, Grip Kit	3-11	02744-04, Yoke Kit	3-5
01355-04, Grip Kit	3-11	02745-04, Yoke Kit	3-5
01356-04, Grip Kit	3-11	02751-04, Escutcheon Kit	3-7
01357-04, Grip Kit	3-11	02752-04, Escutcheon Kit	3-7
01358-04, Grip Kit	3-11	02753-04, Escutcheon Kit	3-7
01359-04, Grip Kit	3-11	02756-04, Grip Kit	3-11
01362-04, Grip C Kit	3-6	02757-04, Grip Kit	3-11
01578-04, 2908 Mechanism	3-9	02758-04, Grip Kit	3-11
		02759-04, Grip Kit	3-11
		02826-04, Lever Kit	3-8
		02827-04, Lever Kit	3-8
		02828-04, Lever Kit	3-8
		02829-04, Lever Kit	3-8

Part Number	Page	Part Number	Page
02830-04, Lever Kit	3-8	02557-05, LSEM303	2-5
02831-04, Lever Kit	3-8	02557-05, Mortise Lock, LSEM303	8-4
02832-04, Lever Kit	3-8	02558-05, LSEM303F	2-5
02833-04, Lever Kit	3-8	02558-05, Mortise Lock, LSEM303F	8-4
02834-04, Lever Kit	3-8	02813-05, M303	2-5
02835-04, Lever Kit	3-8	02814-05, M303F	2-5
02836-04, Lever Kit	3-8	02815-05, M308	2-5
02837-04, Lever Kit	3-8	02816-05, M308F	2-5
02838-04, Lever Kit	3-8	02817-05, LSM308	2-5
02839-04, Lever Kit	3-8	02817-05, Mortise Lock, LSM308	8-4
02840-04, Lever Kit	3-8	02818-05, LSM308F	2-5
02841-04, Lever Kit	3-8	02818-05, Mortise Lock, LSM308F	8-4
02985-04, Screw Pack For Dummy Trim	8-10	02819-05, LSM303	2-5
05510-04, 1700 Trim Plate	3-10	02819-05, Mortise Lock, LSM303	8-4
05511-04, 1700 Trim Plate	3-10	02820-05, LSM303F	2-5
05512-04, 1700 Trim Plate	3-10	02820-05, Mortise Lock, LSM303F	8-4
055130-04, 1700 Trim Plate	3-10	02821-05, EM303	2-5
05514-04, 1700 Trim Plate	3-10	02821-05, Mortise Lock, LSM308	8-4
05515-04, 1700 Trim Plate	3-10	02822-05, EM303F	2-5
05516-04, 1700 Trim Plate	3-10	02822-05, Mortise Lock, LSEM308F	8-4
05517-04, 1700 Trim Plate	3-10	02823-05, LSEM303	2-5
05518-04, 1700 Trim Plate	3-10	02823-05, Mortise Lock, LSEM303	8-4
05519-04, 1700 Trim Plate	3-10	02824-05, LSEM303F	2-5
05520-04, 1700 Trim Plate	3-10	02824-05, Mortise Lock, LSEM303F	8-4
05521-04, 1700 Trim Plate	3-10		
05522-04, 1700 Trim Plate	3-10		
05523-04, 1700 Trim Plate	3-10		
05524-04, 1700 Trim Plate	3-10		
05526-04, 1700 Trim Plate	3-10		
05527-04, 1700 Trim Plate	3-10		
05528-04, 1700 Trim Plate	3-10		

Mortises

01064-05, Mortise Scalp Pack	2-5
02543-05, M303	2-5
02544-05, M303F	2-5
02545-05, M308	2-5
02547-05, M310	2-5
02548-05, M310Fa	2-5
02549-05, M310a	2-5
02550-05, M310Fa	2-5
02551-05, LSM308	2-5
02551-05, Mortise Lock, LSM308	8-4
02552-05, LSM308F	2-5
02552-05, Mortise Lock, LSM308F	8-4
02553-05, LSM303	2-5
02553-05, Mortise Lock, LSM303	8-4
02554-05, LSM303F	2-5
02554-05, Mortise Lock, LSM303F	8-4
02555-05, EM303	2-5
02555-05, Mortise Lock, LSM308	8-4
02556-05, EM303F	2-5
02556-05, Mortise Lock, LSEM308F	8-4

Electrical

00307-06, LS- Latchbolt Switch LSRK298	8-3
00308-06, LDS-Double Switch LDSRK299	8-3
00309-06, TS - Touchbar Switch TSK309	8-3
00310-06, TDS - Touchbar Double Switch Monitor	TDS310 8-3
00491-06, Alarm- ALK Filler	4-5
00491-06, Exit Alarm	8-4
00492-06, Alarm- ALK Filler	4-5
00492-06, Exit Alarm	8-4
00493-06, Alarm - ALW Filler	4-5
00493-06, Exit Alarm	8-4
00494-06, Alarm - ALW Filler	4-5
00494-06, Exit Alarm	8-4
00525-06, Solenoid/Linkage Assembly ..	5-5
00586-06, Alarm- ALK Filler	4-5
00586-06, Exit Alarm	8-4
00587-06, Alarm- ALK Filler	4-5
00587-06, Exit Alarm	8-4
00588-06, Alarm - ALW Filler	4-5
00588-06, Exit Alarm	8-4
00589-06, Alarm - ALW Filler	4-5
00589-06, Exit Alarm	8-4
00639-06, Solenoid/Linkage Assembly ..	5-5
00681-06, Yoke Assembly, ELR	5-5
00699-06, Alarm Chassis Assembly	4-6
00899-06, Alarm Chassis Assembly	4-6
00910-06, LS- - Vertical Rods LSVK910	8-3

Part Number	Page	Part Number	Page
00915-06, Dogging Channel Assembly	. 5-5	02113-09, Screw Pack, Guide Strap 8-7
00916-06, Dogging Channel Assembly	. 5-5	02114-09, Screw Pack, Concealed Latch	8-7
02188-06, Armored Flex Conduit, 18 inches	EPT2 8-2	02115-09-000, Screw Pack, 2800 Active Case	8-7
02189-06, Door Loop for 5/16 wire bundle, 120°	opening EPT5 8-2	02116-09-000, Screw Pack, 2600 Active Case	8-7
02318-06, ELR150 Power Supply – no devices	8-2	02117-09-000, Screw Pack, 2700 Latch	8-7
02782-06, ELR151 Power Supply – 1 devices	8-2	02118-09, Screw Pack, Mortise Lock 8-7
02783-06, ELR152 Power Supply – 2 devices	8-2	02118-09, Screw Pack, Mortise Lock 2-5
02784-06, ELR153 Power Supply – 3 devices	8-2	02119-09, Screw Pack, 2000 Bottom Screw	8-7
02785-06, ELR154 Power Supply – 4 devices	8-2	02120-09, Screw Pack, A And C Grip Bottom Screw	8-8
02788-06, ELR, Control Module Kit CM150-08	8-2	02121-09, Screw Pack, B Grip Bottom Screw	8-8
02789-06, ELR, Battery Backup Kit BT150-07	8-2	02122-09, Rim Cylinder Attachment CA-03T	3-2
05267-06, Q-Option for Rim QSRK5267	8-3	02124-09, 2908 Cylinder Attachment CA2809	3-2
05268-06, Q-Option for Vertical Rod QSRK5268	8-3	02125-09-000, Screw Pack, C03 Trim	... 8-8
		02129-09-000, Screw Pack, 2000 Trim Attachment	8-8

Strikes

00300-08, Strike Kit, S300 7-2
00300-08, Strike Kit, Standard, S300 7-5
00301-08, Strike Kit, Roller, S301 7-2
00458-08, Strike Kit, Roller, Narrow S458	7-2
00459-08, Strike Kit, Double Door S459	7-2
00460-08, Strike Kit, Bottom 7-4
00460-08, Strike Kit, Bottom S460 7-2
00519-08, Strike Kit, Concealed Top S519	7-2
00922-08, Strike Kit, Mortise 1-1/4 Lip	. 7-3
00923-08, Strike Kit, Mortise 7/8 Lip 7-3
00924-08, Strike Kit, Mortise 4-7/8 Open Back	7-3
00925-08, Strike Kit, Mortise 8 in Open Back	7-3
00982-08, Strike Kit, Mortise 1-1/4 Lip	. 7-3
00983-08, Strike Kit, Mortise 7/8 Lip 7-3
00984-08, Strike Kit, Mortise 4-7/8 Open Back	7-3
00985-08, Strike Kit, Mortise 8 in Open Back	7-3
00988-08, Strike Kit, Roller, Aluminum Door S988	7-2

Hardware Kits

00994-09, Shim Kit, Apex Wide Stile 8-5
00995-09, Shim Kit, Apex Narrow Stile	8-5
02101-09, Screw Pack, 2100 2200 2300 Device	8-5
02102-09, Screw Pack, 4 Cover Screws	8-5
02103-09-000, Screw Pack, Endcap Bracket	8-6
02104-09, Screw Pack, Endcap Screws	. 4-3, 8-6
02105-09, Screw Pack, Cylinder Dogging	8-6
02105-09, Cylinder Dogging Attachment Kit	4-5
02106-09, Screw Pack, 2 Cover Screws	8-6
02107-09-000, Screw Pack, 2400 8-6
02109-09, Screw Pack, Latchbolt Cover	8-6
02110-09, Screw Pack, 1/2in Blocking Ring, Narrow	W/o Trim 8-6
02111-09, 2403/2603 No Trim Pack 3-2
02112-09-000, Screw Pack, Surface Latch	8-6

02230-09-000, Screw Pack, 2700 8-8
02231-09-000, Screw Pack, 2700 LBR Device	8-8
02232-09, Screw Pack, 2800 Device 8-9
02233-09, Screw Pack, 2800 LBR Device	8-9
02234-09, Screw Pack, 2600 Device 8-9
02235-09, Screw Pack, 2600 LBR Device	8-9
02262-09-000, Security Screw Pack 2100, 21 Devices 8-10
02263-09-000, Security Screw Pack 2200, 22	8-10
02264-09-000, Security Screw Pack 2200LBR, 22LBR 8-10
02265-09-000, Security Screw Pack 2400	8-10
02309-09, Hardware Pack 4-6
02310-09, Hardware Pack 4-6
02845-09-000, Screw Pack, Surface Latch, 1/4-20	8-10
03131-09-000, Security Screw Pack 2300	8-11
03132-09-000, Security Screw Pack 2700	8-11
03133-09-000, Security Screw Pack 2800	8-11
03135-09-000, Security Screw Pack 2600	8-11
03233-09-SST, Screw Pack, 2100 2200 2300 Device	Hex . 8-11
03234-09, Screw Pack, 2600 Device Hex	8-11
03235-09, Screw Pack, 2600 LBR Device Hex	8-12
03236-09-000, Screw Pack, 2700 Hex	... 8-12
03237-09-000, Screw Pack, 2700 LBR Device Hex	8-12
03238-09, Screw Pack, 2800 Device Hex	8-12
03239-09, Screw Pack, 2800 LBR Device Hex	8-13
03240-09-SST, Screw Pack, 2400, 5100, 5200	8-13
03244-09, Lock Front Filler Kit 2700 4-2
05244-09, Long Bottom Rod Kit, CVR Metal	7-6
05246-09, Long Bottom Rod Kit, CVR Wood	7-6
05247-09, Long Bottom Rod Kit 7-4

Individual Trim Parts

01562-29, Escutcheon 3-7
----------------------	-----------

Part Number	Page	Part Number	Page
01565-29, Lock Out Ring, 2900 Trim	3-9	01111-51, Retainer	6-12
01568-29, Lever Lock	3-9	01113-51, Trim Cam	6-12
01587-29, Mandrel	3-9	01642-51, Cylinder cam	6-15
01630-29, Escutcheon	3-7	01724-51, Trim Cam 2400	6-11
01631-29, Escutcheon	3-7	05124-51, LBR Cover Plug	4-7, 7-5
02086-29, Hex Stud 2900 Trim	3-7	05154-51, Extended Case Hub	6-12
00414-39, Trim Finger	3-5		
01075-39, Trim Finger	3-5		
01455-39, Beam	3-4		
01456-39, Beam Roller	3-5		
01696-39, Trim Sleeve Bushing	3-4		
01727-39, Lever Washer	3-4		
01958-49, Top Bracket, 4900	3-3		
01959-49, Bracket, Bottom, 4900 Trim .	3-3		
02095-49, Escutcheon	3-3		
00222-50, Stud, Trim	3-6		
00233-50, Stud, Hex	3-6		
Individual Active Case Parts		Individual Touchbar Parts	
00126-51, Cam Slide, 2600	6-12	00108-52, Bracket, Touchbar	5-3, 5-5
00151-51, Top Plate	6-4	00110-52, Bumper	5-3, 5-5
00226-51, Latchbolt	6-4	00111-52, Beam	5-3, 5-5
00279-51, Touch Bar Lever	6-4, 6-6, 6-8, 6-13, 6-14	00114-52, Dogging Hook	5-6
00280-51, Rod Carriage Lever	6-7, 6-8, 6-13, 6-14	00115-52, Bracket, Hex Key	5-6
00282-51, Cylinder cam	6-15	00116-52, Dogging Cam	5-6
00284-51, Deadlock Release	6-4	00120-52, Device Channel	4-4
00335-51, Device Lift Finger	6-8	00121-52, Device Channel	4-4
00354-51, Vertical Lift Bracket	6-7, 6-8, 6-13, 6-14	00122-52, Device Channel	4-4
00355-51, Device Lift Finger	6-13, 6-14	00128-52, Device Channel	4-4
00363-51, Cylinder cam	6-15	00130-52, Device Channel	4-4
00383-51, Rod Stud	6-7	00149-52, Endcap Cover	4-3
00485-51, Rod Carriage Machining	6-8, 6-13, 6-14	00236-52, Plain Hinge Filler	4-5
00485-51, Rod Carriage Machining,	6-7	00237-52, Plain Hinge Filler	4-5
00625-51, Touchbar Guard	6-4, 6-6, 6-8, 6-13, 6-14	00238-52, Plain Hinge Filler	4-5
00798-51, Adapter, 2700	6-13	00239-52, Plain Hinge Filler	4-5
00822-51, Locking Arm	6-5	00240-52, Hex Hinge Filler	4-5
00823-51, Locking Bracket	6-5	00241-52, Hex Hinge Filler	4-5
00825-51, Cylinder Cam, 10 Function ..	6-5	00242-52, Hex Hinge Filler	4-5
00826-51, Cylinder Bracket - 10, Rim	6-5	00243-52, Hex Hinge Filler	4-5
00827-51, Cylinder Sleeve - 10 Function	6-5, 6-10	00248-52, Hinge Filler for 00491-06	4-6
00909-51, Cylinder Bracket -10 Mortise	6-10	00248-52, Hinge Filler for 00493-06	4-6
00952-51, Fire Pin, Narrow Stile	6-11	00249-52, Hinge Filler for 00492-06	4-6
00953-51, Fire Spacer, Narrow Stile	6-11	00249-52, Hinge Filler for 00494-06	4-6
01106-51, Latchbolt Narrow Stile	6-11	00250-52, Hinge Filler for 00586-06	4-6
01107-51, Cam Plate	6-11, 6-12	00250-52, Hinge Filler for 00588-06	4-6
01108-51, Trim Shaft	6-11, 6-12	00251-52, Hinge Filler for 00587-06	4-6
01109-51, Trip	6-11	00251-52, Hinge Filler for 00589-06	4-6
01110-51, Case Hub	6-12	00252-52, Dogging Fastener	5-6, 6-5
		00270-52, Endcap Cover	4-3
		02130-52, Touchbar Guide	5-3, 5-5
		05290-52, Consolidated Subplate	5-6
		05291-52, Consolidated Subplate	5-6
		05292-52, Consolidated Subplate	5-6
		Individual Vertical Rod Parts	
		00410-53, Inner Rod, CVR, Metal	7-7
		00411-53, Adjusting Tube, 8 ft	7-7
		00453-53, Transom Bracket for S300 Strike	8-5
		00540-53, Bottom Bolt, SVR	7-4
		00541-53, Top Rod, 7ft Apex SVR	7-5
		00542-53, Top Rod, 8ft	7-5
		00544-53, Top Rod, 10ft	7-5
		00607-53, Bottom Rod, Apex SVR	7-4

Part Number	Page
01143-53, Adjusting Tube, 10 ft	7-7
01144-53, Connector, Wood CVR	7-6
01145-53, Top Rod, CVR, Wood	7-7
05197-53, Top Rod, 12ft	7-5

Miscellaneous Individual Parts

00322-54, B Grip	3-11
00323-54, A Grip	3-11
00324-54, C Grip	3-6, 3-11
00954-54, Trim Stud	3-11
01657-54, Cylinder Backplate CA-03	3-2
01460-56, Lens, LED	4-6
01723-56, Grommet	4-3
00232-58, Shim, Strike	7-2, 8-5
01112-58, Shim, CVR Strike	7-2, 8-5
00131-89, Spring, ELR Touchbar	5-5
00131-89, Spring, Touchbar	5-3
00146-89, Spring, Deadlock Release	6-4
00385-89, Spring, Latchbolt	6-4
00844-89, Spring, ELR Touchbar	5-5
00871-89, Spring, Trip	6-11
01116-89, Latch Bolt Spring	6-11
01575-89, Spring, Torsion, 2900 Trim ..	3-9
01586-89, Spring, Torsion, 2900 Trim ..	3-9

Individual Hardware

00153-90, Pin, Pivot, Vertical Lift	6-7, 6-8, 6-13, 6-14
00154-90, Latchbolt Pivot Pin, Rim	6-4
00228-90, Retaining Ring, shaft	5-5
00229-90, Pin, Pivot, Touchbar Lever ...	6-4, 6-6, 6-8, 6-13, 6-14
00382-90, Roll Pin, 1/8 X 7/8	6-7
00382-90, Roll Pin, 1/8 X 7/8	3-9
00400-90, Pin, Headed Pivot, .188 X 1.125	6-9, 7-7
00408-90, Roll Pin, 3/16 X 5/8	7-7
00449-90, Pin, Pivot	5-3, 5-5
00671-90, Groove Pin, .188 X.75	3-5
00799-90, Roll Pin, 1/8 X 1/2	6-13
01114-90, Pin, Lever, .187 X 2.312	6-11, 6-12

INDEX BY PART DESCRIPTION

“Arm/Disarm” Label, 00672-92	4-6
“Emergency Exit Only” Label, 00872-92	4-6
1/4 Curved Spring Washer, 00253-91 ...	5-6, 6-11
1700 Trim Plate, 05510-04	3-10
1700 Trim Plate, 05511-04	3-10
1700 Trim Plate, 05512-04	3-10
1700 Trim Plate, 055130-04	3-10
1700 Trim Plate, 05514-04	3-10

Part Number	Page
01115-90, Pin, Latchbolt, 2400	6-11, 6-12
01121-90, Pivot Pin	6-11, 6-12
01627-90, Spiral Pin, 3/16 X 3/4	3-9
01922-90, Pin, Link - ELR	5-5
05139-90, Extended Pilot Pins	7-8
00228-91, Retaining Ring	5-3, 5-5
00228-91, Retaining Ring, Shaft	6-4, 6-7, 6-8, 6-13, 6-14, 7-7
00253-91, 1/4 Curved Spring Washer ...	5-6, 6-11
00254-91, E-clip, .250 dia Shaft	5-6, 6-5
00366-91, Retaining Ring	6-15
00412-91, Retaining Ring	6-15
00412-91, Retaining Ring, .438 Shaft ...	6-5, 6-11, 6-12
00416-91, Screw, #8-32 X .275	5-5
00416-91, Screw, #8-32 x .275	6-4, 6-7, 6-8, 6-10, 6-11, 6-12, 6-13, 6-14
00416-91, Screws, #8-32 x.275	6-15
00463-91, Screw, #8-32 X 3/8 PHMS ...	6-5
00509-91, Screw, #10-24 X 1/2 PPHMS	3-3, 3-5
00606-91, Screw, 1/4-20 X .375 Set Screw	6-8
00617-91, Retaining Ring	3-4
00800-91, Screw, #8-32 X .625 FHMS ...	6-13, 6-14
01120-91, E-clip, Shaft	6-11, 6-12
01149-91, Shoulder Screw	7-6
01151-91, Washer, Lock, #10	7-6
01152-91, Washer, Retaining	7-6
01520-91, Washer, #10 Flat	3-5, 3-9
01567-91, Washer, Delrin .695 ID X 1.00 OD	3-9
01608-91, Screw, #10-24 X 3/8 Hex Head Machine	3-9
01625-91, Nut, Hex 3/8-24 W/nylon	3-9
01868-91, Washer, Wave, .325 ID X .500 OD	6-5
01960-91, Trim Stud, 4900 Trim	3-3
00672-92, “Arm/Disarm” Label	4-6
00872-92, “Emergency Exit Only” Label	4-6
00220-93, Dogging Key	4-5, 5-6
00996-93, Short Arm 5/32 Hex Wrench	8-4

1700 Trim Plate, 05515-04	3-10
1700 Trim Plate, 05516-04	3-10
1700 Trim Plate, 05517-04	3-10
1700 Trim Plate, 05518-04	3-10
1700 Trim Plate, 05519-04	3-10
1700 Trim Plate, 05520-04	3-10
1700 Trim Plate, 05521-04	3-10
1700 Trim Plate, 05522-04	3-10

Part Abp`ofmqflk	Pagb	Part Abp`ofmqflk	Mage
1700 Trim Plate, 05523-04	3-10	Alarm- ALK Filler, 00587-06	4-5
1700 Trim Plate, 05524-04	3-10	Alarm Chassis Assembly, 00699-06	4-6
1700 Trim Plate, 05526-04	3-10	Alarm Chassis Assembly, 00899-06	4-6
1700 Trim Plate, 05527-04	3-10	Armored Flex Conduit, 18 inches EPT2, 02188-06	8-2
1700 Trim Plate, 05528-04	3-10		
2000 Escutcheon, 00567-04	3-6		
2000 Escutcheon, 00568-04	3-6		
2000 Escutcheon, 00569-04	3-6		
2000 Escutcheon, 00571-04	3-6		
2000 Escutcheon, 00573-04	3-6		
2100Active Case, 02271-01	6-4		
2100 Cover Kit, 02281-01	4-7		
2100FActive Case, 02272-01	6-4		
2110 LHRB Cover Kit, 02285-01	4-7		
2110 RHRB Cover Kit, 02283-01	4-7		
2200 Cover Kit, 02287-01	4-7		
2200 LHRB Active Case, 02561-01	6-6		
2200 RHRB Active Case, 02273-01	6-6		
2200 Rod Carriage, 00353-01	6-7		
2200LBR LHRB Active Case, 02562-01 ..	6-6		
2200LBR RHRB Active Case, 02316-01 .	6-6		
2200LBR Rod Carriage, 00533-01	6-7		
2300 LHRB Active Case, 02563-01	6-8		
2300 LHRB Rod Carriage, 02646-01	6-9		
2300 RHRB Active Case, 02274-01	6-8		
2300 RHRB Rod Carriage, 00797-01	6-9		
2300/2700/2800 Cover Kit, 02464-01 ..	4-7		
2310 LHRB Cover Kit, 02468-01	4-7		
2310 RHRB Cover Kit, 02466-01	4-7		
2400Chassis Assembly, 00498-01	6-11		
2400 Cover Kit, 02470-01	4-7		
2400FChassis Assembly, 00499-01	6-11		
2403/2603 No Trim Pack, 02111-09	3-2		
2600Chassis Assembly, 00500-01	6-12		
2600 Cover Kit, 02472-01	4-7		
2700 LHRB Active Case, 02320-01	6-13, 6-14		
2700 RHRB Active Case, 02564-01	6-13, 6-14		
2700 Rod Carriage, 00534-01	6-13, 6-14		
2908 Cylinder Attachment CA2809, 02124-09	3-2		
2908 Mechanism, 01578-04	3-9		
A		B	
A Grip, 00323-54	3-11	B Grip, 00322-54	3-11
Adapter, 2700, 00798-51	6-13	Backplate Assembly, 00369-01	6-15
Adjusting Tube, 10 ft, 01143-53	7-7	Backplate Assembly, 00370-01	6-15
Adjusting Tube, 8 ft, 00411-53	7-7	Backplate Assembly, 00832-01	6-15
Alarm - ALW Filler, 00493-06	4-5	Backplate Assembly, 00833-01	6-15
Alarm - ALW Filler, 00494-06	4-5	Backplate Assembly, 00842-01	6-15
Alarm - ALW Filler, 00588-06	4-5	Beam Roller, 01456-39	3-5
Alarm - ALW Filler, 00589-06	4-5	Beam, 00111-52	5-3, 5-5
Alarm- ALK Filler, 00491-06	4-5	Beam, 01455-39	3-4
Alarm- ALK Filler, 00492-06	4-5	Bottom Bolt, SVR, 00540-53	7-4
Alarm- ALK Filler, 00586-06	4-5	Bottom Latch Channel Assembly, CVR Metal,	02354-03 7-6
		Bottom Latch Channel Assembly, CVR Wood,	02355-03 7-6
		Bottom Latch Channel Assembly, SVR, 02356-03	7-4
		Bottom Latch Kit, SVR, 01007-03	7-4
		Bottom Rod Assembly, CVR Metal, 00553-03	7-6
		Bottom Rod Assembly, CVR Wood, 00556-03	7-6
		Bottom Rod Kit SVR, 01859-03	7-4
		Bottom Rod, Apex SVR, 00607-53	7-4
		Bracket, Bottom, 4900 Trim, 01959-49 .	3-3
		Bracket, Hex Key, 00115-52	5-6
		Bracket, Touchbar, 00108-52	5-3, 5-5
		Bumper, 00110-52	5-3, 5-5
		C	
		C Grip, 00324-54	3-6, 3-11
		Cam Plate, 01107-51	6-11, 6-12
		Cam Slide, 2600, 00126-51	6-12
		Case Hub, 01110-51	6-12
		Cast Plate C03, 02317-04	3-2
		CD Hinge Filler, 00489-02	4-5
		CD Hinge Filler, 00490-02	4-5
		CD Hinge Filler, 00929-02	4-5
		CD Hinge Filler, 00930-02	4-5
		Center Case Assembly, 2600, 00343-03	7-8
		Center Case Assembly, 2600LBR, 02280-03	7-8
		Center Case Assembly, 2800, 00344-03	7-8
		Center Case Assembly, 2800LBR, 02279-03	7-8
		Connector Assembly, 02948-03	7-7
		Connector Assembly 2700, 02948-03 ...	7-6
		Connector, Wood CVR, 01144-53	7-6
		Consolidated Subplate, 05290-52	5-6
		Consolidated Subplate, 05291-52	5-6
		Consolidated Subplate, 05292-52	5-6

Part Abp`ofmqf l k	Magb
Cylinder Assembly 10 Function, 00824-01	6-5
Cylinder Backplate Wide CA-03, 01657-54	3-2
Cylinder Bracket - 10, Rim, 00826-51 6-5
Cylinder Bracket -10 Mortise, 00909-51	6-10
Cylinder cam, 00282-51 6-15
Cylinder cam, 00363-51 6-15
Cylinder cam, 01642-51 6-15
Cylinder Cam, 10 Function, 00825-51	.. 6-5
Cylinder Dogging Attachment Kit, 02105-09	4-5
Cylinder Sleeve - 10 Function, 00827-51	6-5, 6-10

D

Deadlock Release, 00284-51 6-4
Device Channel, 00120-52 4-4
Device Channel, 00121-52 4-4
Device Channel, 00122-52 4-4
Device Channel, 00128-52 4-4
Device Channel, 00130-52 4-4
Device Lift Finger, 00335-51 6-8
Device Lift Finger, 00355-51 6-13, 6-14
Dogging Cam, 00116-52 5-6
Dogging Channel Assembly, 00701-02	. 5-3
Dogging Channel Assembly, 00702-02	. 5-3
Dogging Channel Assembly, 00703-02	. 5-3
Dogging Channel Assembly, 00915-06	. 5-5
Dogging Channel Assembly, 00916-06	. 5-5
Dogging Fastener, 00252-52 5-6, 6-5
Dogging Hook, 00114-52 5-6
Dogging Key, 00220-93 4-5
Dogging Key, 00220-93 5-6
Door Loop for 5/16 EPT5, 02189-06 8-2
Door Position Switch Kit, 00774-02 8-3
Door Position Switch Kit, 00776-02 8-3

E

E-clip, .250 dia Shaft, 00254-91 5-6, 6-5
E-clip, Shaft, 01120-91 6-11, 6-12
Electric Rim - Lock/Unlock E2103K,	8-3
Electric Rim - Lock/Unlock E2103K, 00837-01	8-3
ELR Touchbar Mechanism, 00172-02 5-4
ELR Touchbar Mechanism, 00173-02 5-4
ELR Touchbar Mechanism, 00174-02 5-4
ELR Touchbar Mechanism, 00175-02 5-4
ELR Touchbar Mechanism, 00176-02 5-4
ELR Touchbar Mechanism, 00177-02 5-4
ELR Touchbar Mechanism, 00892-02 5-4
ELR Touchbar Mechanism, 00893-02 5-4
ELR Touchbar Mechanism, 00894-02 5-5
ELR Touchbar Mechanism, 00895-02 5-5
ELR Touchbar Mechanism, 00896-02 5-5
ELR Touchbar Mechanism, 00897-02 5-5
ELR, Battery Backup Kit BT150-07, 02789-06	8-2

Mart Abp`ofmqf l k	Mage
ELR, Control Module Kit CM150-08, 02788-06	8-2
ELR150 Power Supply - no devices, 02318-06	8-2
ELR151 Power Supply - 1 devices, 02782-06	8-2
ELR152 Power Supply - 2 devices, 02783-06	8-2
ELR153 Power Supply - 3 devices, 02784-06	8-2
ELR154 Power Supply - 4 devices, 02785-06	8-2
EM303, 02555-05 2-5
EM303, 02821-05 2-5
EM303F, 02556-05 2-5
EM303F, 02822-05 2-5
Endcap Cover, 00149-52 4-3
Endcap Cover, 00270-52 4-3
Endcap Device, 00775-02 4-3
Endcap Device, 00777-02 4-3
Endcap Device, 03304-02 4-3
Endcap Device, 03305-02 4-3
Endcap Mounting Bracket, 00305-02 4-3
Endcap Mounting Bracket, 00591-02 4-3
Escutcheon, 01562-29 3-7
Escutcheon, 01630-29 3-7
Escutcheon, 01631-29 3-7
Escutcheon, 02095-49 3-3
Escutcheon, 02133-04 3-3
Escutcheon, 02134-04 3-3
Escutcheon, 02135-04 3-3
Escutcheon Kit, 02717-04 3-3
Escutcheon Kit, 02718-04 3-3
Escutcheon Kit, 02719-04 3-3
Escutcheon Kit, 02720-04 3-3
Escutcheon Kit, 02751-04 3-7
Escutcheon Kit, 02752-04 3-7
Escutcheon Kit, 02753-04 3-7
Exit Alarm, 00491-06 8-4
Exit Alarm, 00492-06 8-4
Exit Alarm, 00493-06 8-4
Exit Alarm, 00494-06 8-4
Exit Alarm, 00586-06 8-4
Exit Alarm, 00587-06 8-4
Exit Alarm, 00588-06 8-4
Exit Alarm, 00589-06 8-4
Extended Case Hub, 05154-51 6-12
Extended Pilot Pins, 05139-90 7-8
Extended Pilot Pins, Power Supply Units	8-2

F

Fire Bolt Kit FB277, 01303-03 8-5
Fire Latchbolt Assembly, 00295-01 6-4
Fire Pin, Narrow Stile, 00952-51 6-11
Fire Spacer, Narrow Stile, 00953-51 6-11

G

Grip C Kit, 01362-04 3-6
----------------------	-----------

M ^{oq} Abp`ofmqf l k	M ^{db}	M ^{oq} Abp`ofmqf l k	M ^{db}
Grip Kit, 01351-04	3-11	Lever Assembly, 01594-04	3-9
Grip Kit, 01352-04	3-11	Lever Assembly, 01595-04	3-9
Grip Kit, 01353-04	3-11	Lever Assembly, 01596-04	3-9
Grip Kit, 01354-04	3-11	Lever Assembly, 01599-04	3-9
Grip Kit, 01355-04	3-11	Lever Assembly, 01600-04	3-9
Grip Kit, 01356-04	3-11	Lever Assembly, 01601-04	3-9
Grip Kit, 01357-04	3-11	Lever Assembly, 01602-04	3-9
Grip Kit, 01358-04	3-11	Lever Lock, 01568-29	3-9
Grip Kit, 01359-04	3-11	Lever Washer, 01727-39	3-4
Grip Kit, 02756-04	3-11	Lever, 00646-04	3-4
Grip Kit, 02757-04	3-11	Lever, 00647-04	3-4
Grip Kit, 02758-04	3-11	Lever, 00648-04	3-4
Grip Kit, 02759-04	3-11	Lever, 00649-04	3-4
Grommet, 01723-56	4-3	Lever, 00650-04	3-4
Groove Pin, .188 X.75, 00671-90	3-5	Lever Kit, 02721-04	3-4
		Lever Kit, 02722-04	3-4
		Lever Kit, 02723-04	3-4
		Lever Kit, 02724-04	3-4
		Lever Kit, 02725-04	3-4
		Lever Kit, 02726-04	3-4
		Lever Kit, 02727-04	3-4
		Lever Kit, 02728-04	3-4
		Lever Kit, 02729-04	3-4
		Lever Kit, 02826-04	3-8
		Lever Kit, 02827-04	3-8
		Lever Kit, 02828-04	3-8
		Lever Kit, 02829-04	3-8
		Lever Kit, 02830-04	3-8
		Lever Kit, 02831-04	3-8
		Lever Kit, 02832-04	3-8
		Lever Kit, 02833-04	3-8
		Lever Kit, 02834-04	3-8
		Lever Kit, 02835-04	3-8
		Lever Kit, 02836-04	3-8
		Lever Kit, 02837-04	3-8
		Lever Kit, 02838-04	3-8
		Lever Kit, 02839-04	3-8
		Lever Kit, 02840-04	3-8
		Lever Kit, 02841-04	3-8
		Lever Spring Kit, 02738-04	3-5
		Long Bottom Rod Kit, CVR Metal, 05244-09	7-6
		Lock Front Filler Kit 2700, 03244-09	4-2
		Lock Out Ring, 2900 Trim, 01565-29	3-9
		Lock Side Filler Kit, 02306-01	4-2
		Locking Arm, 00822-51	6-5
		Locking Bracket, 00823-51	6-5
		Long Bottom Rod Kit, 05247-09	7-4
		Long Bottom Rod Kit, CVR Wood, 05246-09	7-6
		LS- Latchbolt Switch LSRK298, 00307-06	8-3
		LS- Vertical Rods LSVK910,	8-3
		LS- Vertical Rods LSVK910, 00910-06 ...	8-3
		LSEM303, 02557-05	2-5
		LSEM303, 02823-05	2-5
		LSEM303F, 02558-05	2-5

H

Hardware Pack, 02309-09	4-6
Hardware Pack, 02310-09	4-6
Hex Hinge Filler, 00240-52	4-5
Hex Hinge Filler, 00241-52	4-5
Hex Hinge Filler, 00242-52	4-5
Hex Hinge Filler, 00243-52	4-5
Hex Stud 2900 Trim, 02086-29	3-7
Hex/cyl Sub-bracket Assembly, 05305-02	5-5
Hex/cyl Sub-bracket Assembly, 05306-02	5-5
Hex/cyl Sub-bracket Assembly, 05307-02	5-5
Hex/cyl Sub-bracket Assembly, 05308-02	5-5
Hinge Filler for 00491-06, 00248-52	4-6
Hinge Filler for 00492-06, 00249-52	4-6
Hinge Filler for 00493-06, 00248-52	4-6
Hinge Filler for 00494-06, 00249-52	4-6
Hinge Filler for 00586-06, 00250-52	4-6
Hinge Filler for 00587-06, 00251-52	4-6
Hinge Filler for 00588-06, 00250-52	4-6
Hinge Filler for 00589-06, 00251-52	4-6

I

Inner Rod, CVR, Metal, 00410-53	7-7
---------------------------------------	-----

L

Latch Bolt Spring, 01116-89	6-11
Latch Cover Kit, 01011-03	4-2
Latch Cover Kit, Apex, 01011-03	7-4, 7-5
Latchbolt Narrow Stile, 01106-51	6-11
Latchbolt Pivot Pin, Rim, 00154-90	6-4
Latchbolt, 00226-51	6-4
LBR Cover Plug, 05124-51	4-7, 7-5
LDS-Double Switch LDSRK299, 00308-06	8-3
Lens, LED, 01460-56	4-6
Lever Assembly, 01593-04	3-9

M^oq Abp`ofmqf l k	M^db
LSEM303F, 02824-05	2-5
LSM303, 02553-05	2-5
LSM303, 02819-05	2-5
LSM303F, 02554-05	2-5
LSM303F, 02820-05	2-5
LSM308, 02551-05	2-5
LSM308, 02817-05	2-5
LSM308F, 02552-05	2-5
LSM308F, 02818-05	2-5

M

M303, 02543-05	2-5
M303, 02813-05	2-5
M303F, 02544-05	2-5
M303F, 02814-05	2-5
M308, 02545-05	2-5
M308, 02815-05	2-5
M308F, 02816-05	2-5
M310, 02547-05	2-5
M310a, 02549-05	2-5
M310Fa, 02548-05	2-5
M310Fa, 02550-05	2-5
Mandrel, 01587-29	3-9
Mortise Lock, LSEM303, 02557-05	8-4
Mortise Lock, LSEM303, 02823-05	8-4
Mortise Lock, LSEM303F, 02558-05	8-4
Mortise Lock, LSEM303F, 02824-05	8-4
Mortise Lock, LSEM308F, 02556-05	8-4
Mortise Lock, LSEM308F, 02822-05	8-4
Mortise Lock, LSM303, 02553-05	8-4
Mortise Lock, LSM303, 02819-05	8-4
Mortise Lock, LSM303F, 02554-05	8-4
Mortise Lock, LSM303F, 02820-05	8-4
Mortise Lock, LSM308, 02551-05	8-4
Mortise Lock, LSM308, 02555-05	8-4
Mortise Lock, LSM308, 02817-05	8-4
Mortise Lock, LSM308, 02821-05	8-4
Mortise Lock, LSM308F, 02552-05	8-4
Mortise Lock, LSM308F, 02818-05	8-4
Mortise Scalp Pack, 01064-05	2-5

N

Nut, Hex 3/8-24 W/nylon, 01625-91	3-9
---	-----

P

Pin, Headed Pivot, .188 X 1.125, 00400-90	6-9, 7-7
Pin, Latchbolt, 2400, 01115-90	6-11, 6-12
Pin, Lever, .187 X 2.312, 01114-90	6-11, 6-12
Pin, Link - ELR, 01922-90	5-5
Pin, Pivot, 00449-90	5-3, 5-5
Pin, Pivot, Touchbar Lever, 00229-90 ...	6-4, 6-6, 6-8,

M^oq Abp`ofmqf l k	M^db
	6-13, 6-14
Pin, Pivot, Vertical Lift, 00153-90	6-7, 6-8, 6-13, 6-14
Pivot Pin, 01121-90	6-11, 6-12
Plain Hinge Filler, 00236-52	4-5
Plain Hinge Filler, 00237-52	4-5
Plain Hinge Filler, 00238-52	4-5
Plain Hinge Filler, 00239-52	4-5

Q

Q-Option for Rim QSRK5267, 05267-06	8-3
Q-Option for Vertical Rod QSRK5268, .	8-3

R

Retainer, 01111-51	6-12
Retaining Ring, .438 Shaft, 00412-91	6-5, 6-11, 6-12
Retaining Ring, 00228-91	5-3, 5-5
Retaining Ring, 00366-91	6-15
Retaining Ring, 00412-91	6-15
Retaining Ring, 00617-91	3-4
Retaining Ring, shaft, 00228-90	5-5
Retaining Ring, Shaft, 00228-91	6-4, 6-7, 6-8, 6-13, 6-14, 7-7
Rim Cylinder CA-03T, 02122-09	3-2
Rod Carriage Lever, 00280-51	6-7, 6-8, 6-13, 6-14
Rod Carriage, Apex, 00485-51	6-8, 6-13, 6-14
Rod Carriage, CVR Apex, 00485-51	6-7
Rod Guide Pack, 00124-03	7-4, 7-5
Rod Stud, 00383-51	6-7
Roll Pin, 1/8 X 1/2, 00799-90	6-13
Roll Pin, 1/8 X 7/8, 00382-90	3-9
Roll Pin, 1/8 X 7/8, 00382-90	6-7
Roll Pin, 3/16 X 5/8, 00408-90	7-7

S

Screw Pack For Dummy Trim, 02985-04	8-10
Screw Pack, 1/2in Blocking Ring, Narrow W/o Trim,	02110-09 8-6
Screw Pack, 2 Cover Screws, 02106-09	8-6
Screw Pack, 2000 Bottom Screw, 02119-09	8-7
Screw Pack, 2000 Trim Attachment, 02129-09	8-8
Screw Pack, 2100 2200 2300 Device, 02101-09	8-5
Screw Pack, 2100 2200 2300 Device Hex,	03233-09-SST 8-11
Screw Pack, 2400, 02107-09-000	8-6
Screw Pack, 2400, 5100, 5200, 03240-09-SST	8-13
Screw Pack, 2600 Active Case, 02116-09-000	8-7
Screw Pack, 2600 Device, 02234-09	8-9

M^oq Abp`ofmqf l k	M^db	M^oq Abp`ofmqf l k	M^db
Screw Pack, 2600 Device Hex, 03234-09	8-11	Solenoid/Linkage Assembly, 00639-06	.. 5-5
Screw Pack, 2600 LBR Device, 02235-09	8-9	Spiral Pin, 3/16 X 3/4, 01627-90 3-9
Screw Pack, 2600 LBR Device Hex, 03235-09	8-12	Spring, Deadlock Release, 00146-89 6-4
Screw Pack, 2700, 02230-09-000 8-8	Spring, ELR Touchbar, 00131-89 5-5
Screw Pack, 2700 Hex, 03236-09-000	... 8-12	Spring, ELR Touchbar, 00844-89 5-5
Screw Pack, 2700 Latch, 02117-09-000	8-7	Spring, Latchbolt, 00385-89 6-4
Screw Pack, 2700 LBR Device, 02231-09-000	8-8	Spring, Torsion, 2900 Trim, 01575-89	.. 3-9
Screw Pack, 2700 LBR Device Hex, 03237-09-000	8-12	Spring, Torsion, 2900 Trim, 01586-89	.. 3-9
Screw Pack, 2800 Active Case, 02115-09-000	8-7	Spring, Touchbar, 00131-89 5-3
Screw Pack, 2800 Device, 02232-09 8-9	Spring, Trip, 00871-89 6-11
Screw Pack, 2800 Device Hex, 03238-09	8-12	Strike Kit, Bottom S460, 00460-08 7-2
Screw Pack, 2800 LBR Device, 02233-09	8-9	Strike Kit, Bottom, 00460-08 7-4
Screw Pack, 2800 LBR Device Hex, 03239-09	8-13	Strike Kit, Concealed Top S519, 00519-08	7-2
Screw Pack, 4 Cover Screws, 02102-09	8-5	Strike Kit, Double Door S459, 00459-08	7-2
Screw Pack, A And C Grip Bottom Screw, 02120-09	8-8	Strike Kit, Mortise 1-1/4 Lip, 00922-08	. 7-3
Screw Pack, B Grip Bottom Screw, 02121-09	8-8	Strike Kit, Mortise 1-1/4 Lip, 00982-08	. 7-3
Screw Pack, C03 Trim, 02125-09-000	... 8-8	Strike Kit, Mortise 4-7/8 Open Back, 00924-08	7-3
Screw Pack, Concealed Latch, 02114-09	8-7	Strike Kit, Mortise 4-7/8 Open Back, 00984-08	7-3
Screw Pack, Cylinder Dogging, 02105-09	8-6	Strike Kit, Mortise 7/8 Lip, 00923-08 7-3
Screw Pack, Endcap Bracket, 02103-09-000	8-6	Strike Kit, Mortise 7/8 Lip, 00983-08 7-3
Screw Pack, Endcap Screws, 02104-09	. 4-3, 8-6	Strike Kit, Mortise 8 in Open Back, 00925-08	7-3
Screw Pack, Guide Strap, 02113-09 8-7	Strike Kit, Mortise 8 in Open Back, 00985-08	7-3
Screw Pack, Latchbolt Cover, 02109-09	8-6	Strike Kit, Roller, Aluminum S986, 00988-08	7-2
Screw Pack, Mortise Lock, 02118-09 8-7	Strike Kit, Roller, Narrow S458, 00458-08	7-2
Screw Pack, Mortise Lock, 02118-09 2-5	Strike Kit, Roller, S301, 00301-08 7-2
Screw Pack, Surface Latch, 02112-09-000	8-6	Strike Kit, S300, 00300-08 7-2
Screw Pack, Surface Latch, 1/4-20, 02845-09-000	8-10	Strike Kit, Standard, S300, 00300-08 7-5
Screw, #10-24 X 1/2 PPHMS, 00509-91	3-3, 3-5	Stud, Hex, 00233-50 3-6
Screw, #10-24 X 3/8 Machine, 01608-91	3-9	Stud, Trim, 00222-50 3-6
Screw, #8-32 x .275, 00416-91 5-5, 6-4,	Sub-Bracket Assembly, 05301-02 5-3
	6-7, 6-8, 6-10, 6-11, 6-12,	Sub-Bracket Assembly, 05302-02 5-3
	6-13, 6-14	Sub-Bracket Assembly, 05303-02 5-3
Screw, #8-32 X .625 FHMS, 00800-91	... 6-13, 6-14	Sub-Bracket Assembly, 05304-02 5-3
Screw, #8-32 X 3/8 PHMS, 00463-91 6-5	Sub-Bracket Assembly, 05305-02 5-3
Screw, 1/4-20 X .375 Set Screw 00606-91	6-8	Sub-Bracket Assembly, 05306-02 5-3
Screws, #8-32 x .275, 00416-91 6-15		
Security Screw Pack 2100, 02262-09-000	8-10	T	
Security Screw Pack 2200, 22, 02263-09-000	8-10	TDS - Touchbar Double Switch, 00310-06	8-3
Security Screw Pack 2200LBR, 02264-09-000	8-10	Top Bracket, 4900, 01958-49 3-3
Security Screw Pack 2300, 03131-09-000	8-11	Top Latch Assembly, CVR Metal, 00196-03	7-7
Security Screw Pack 2400, 02265-09-000	8-10	Top Latch Assembly, CVR Wood, 00396-03	7-7
Security Screw Pack 2600, 03135-09-000	8-11	Top Latch Assembly, SVR, 00296-03 7-5
Security Screw Pack 2700, 03132-09-000	8-11	Top Latch Kit, CVR Meta, 01003-03 7-7
Security Screw Pack 2800, 03133-09-000	8-11	Top Latch Kit, CVR Meta, 01004-03 7-7
Shim Kit, Apex Narrow Stile, 00995-09	8-5	Top Latch Kit, CVR Wood, 01005-03 7-7
Shim Kit, Apex Wide Stile, 00994-09 8-5	Top Latch Kit, CVR Wood, 01006-03 7-7
Shim, CVR Strike, 01112-58 7-2, 8-5	Top Latch Kit, CVR Wood, 01006-03 7-7
Shim, Strike, 00232-58 7-2, 8-5	Top Latch Kit, SVR, Apex, 01001-03 7-5
Short Arm 5/32 Hex Wrench, 00996-93	8-4	Top Plate, 00151-51 6-4
Shoulder Screw, 01149-91 7-6	Top Rod SVR Kit 10 Foot, 01857-03 7-5
Solenoid/Linkage Assembly, 00525-06	.. 5-5	Top Rod SVR Kit 7 Foot, 01854-03 7-5
		Top Rod SVR Kit 8 Foot, 01855-03 7-5
		Top Rod, 10ft, 00544-53 7-5
		Top Rod, 12ft, 05197-53 7-5

M^oq Abp`ofmqf l k	M^db
Top Rod, 7ft Apex SVR, 00541-53	7-5
Top Rod, 8ft, 00542-53	7-5
Top Rod, CVR, Wood, 01145-53	7-7
Touch Bar Lever, 00279-51	6-4, 6-6, 6-8, 6-13, 6-14
Touchbar Guard, 00625-51	6-4, 6-6, 6-8, 6-13, 6-14
Touchbar Guide, 02130-52	5-3, 5-5
Touchbar Mechanism, 00163-02	5-2
Touchbar Mechanism, 00164-02	5-2
Touchbar Mechanism, 00165-02	5-2
Touchbar Mechanism, 00166-02	5-2
Touchbar Mechanism, 00167-02	5-2
Touchbar Mechanism, 00168-02	5-2
Touchbar Mechanism, 00169-02	5-2
Touchbar Mechanism, 00170-02	5-2
Touchbar Mechanism, 00171-02	5-2
Touchbar Mechanism ELRK-3, 00172-02	8-2
Touchbar Mechanism ELRK-4, 00175-02	8-2
Touchbar Mechanism ELRKF-3, 00173-02	8-2
Touchbar Mechanism ELRKF-4, 00176-02	8-2
Touchbar Mechanism NELRK-3, 00892-02	8-2
Touchbar Mechanism NELRK-4, 00895-02	8-2
Touchbar Mechanism NELRKF-3, 00893-02	8-2
Touchbar Mechanism NELRKF-4, 00896-02	8-2
Touchpad Sub-assembly, 00157-02	4-4
Touchpad Sub-assembly, 00158-02	4-4
Touchpad Sub-assembly, 00159-02	4-4
Transom Bracket for S300 Strike, 00453-53	8-5
Trim Cam 2400, 01724-51	6-11
Trim Cam, 01113-51	6-12
Trim Finger, 00414-39	3-5
Trim Finger, 01075-39	3-5
Trim Finger, 01977-04	3-5
Trim Locking Assembly, 00821-01	6-5
Trim Shaft, 01108-51	6-11, 6-12
Trim Sleeve Bushing, 01696-39	3-4
Trim Stud, 00954-54	3-11

M^oq Abp`ofmqf l k	M^db
Trim Stud, 4900 Trim, 01960-91	3-3
Trip, 01109-51	6-11
TS - Touchbar Switch TSK309, 00309-06	8-3

V

Vertical Lift Assembly, 00505-01	6-7, 6-8
Vertical Lift Assembly, 00505-01	6-13, 6-14
Vertical Lift Bracket, 00354-51	6-7, 6-8, 6-13, 6-14

W

Washer, #10 Flat, 01520-91	3-5, 3-9
Washer, Delrin .695 ID X 1.00, 01567-91	3-9
Washer, Lock, #10, 01151-91	7-6
Washer, Retaining, 01152-91	7-6
Washer, Wave, .325 ID X .500, 01868-91	6-5

Y

Yoke Assembly, 01971-04	3-5
Yoke Assembly, 01973-04	3-5
Yoke Assembly, 02181-04	3-5
Yoke Assembly, 02183-04	3-5
Yoke Assembly, 02740-04	3-5
Yoke Assembly, 02741-04	3-5
Yoke Assembly, 02742-04	3-5
Yoke Assembly, 02743-04	3-5
Yoke Assembly, ELR, 00681-06	5-5
Yoke Kit, 02730-04	3-5
Yoke Kit, 02731-04	3-5
Yoke Kit, 02734-04	3-5
Yoke Kit, 02735-04	3-5
Yoke Kit, 02736-04	3-5
Yoke Kit, 02737-04	3-5
Yoke Kit, 02744-04	3-5
Yoke Kit, 02745-04	3-5