



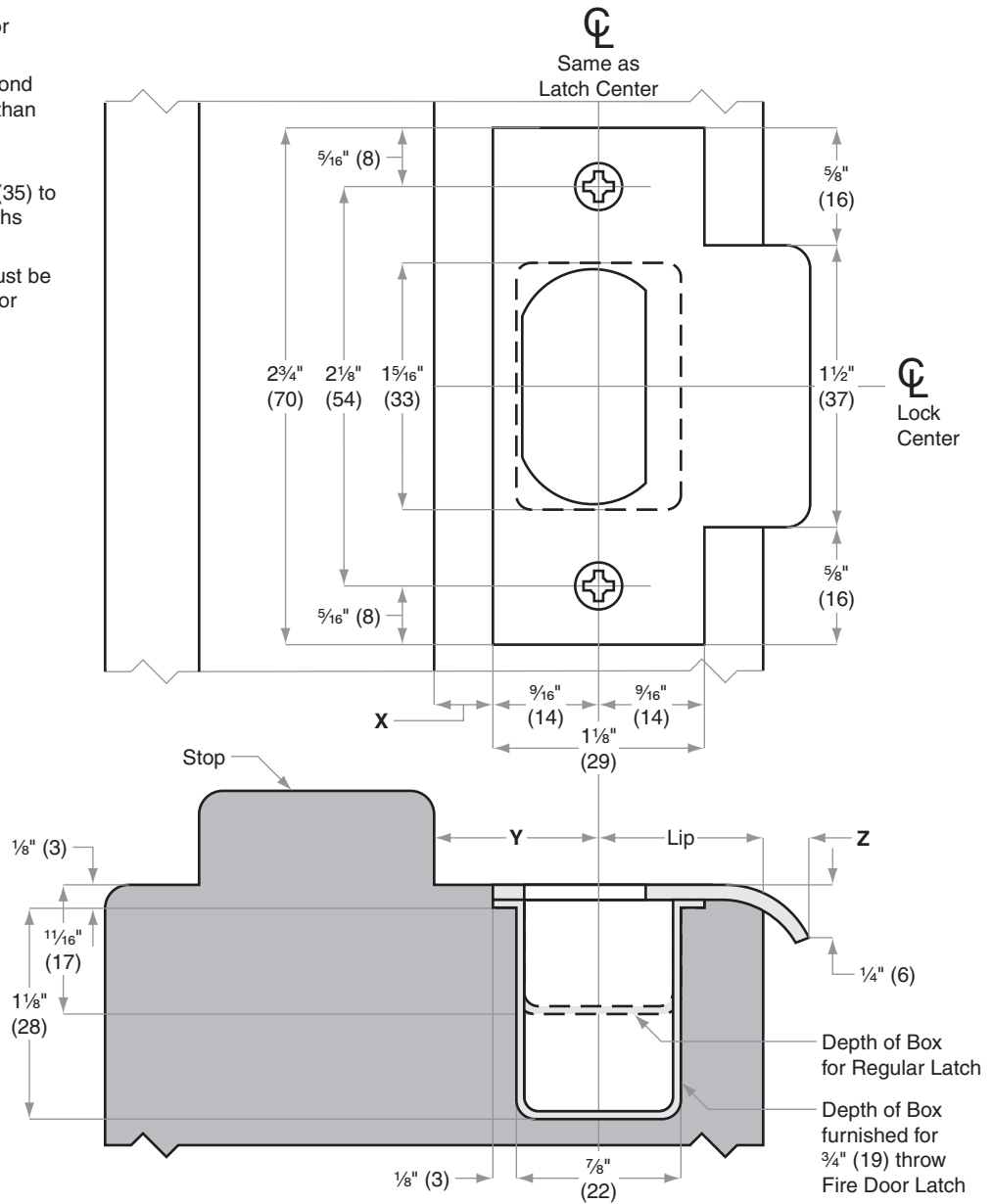
Strikes

Models 10-001, 10-013, 10-016, 10-019

Jamb Type: Wood
Style: T-Strike, Square Corner
Standard for: A-Series | B250-Series | S-Series
Optional for: AL-Series | F-Series | D-Series Knobs | ND-Series Levers

NOTE:

1. Dimensions X, Y and Z are variables dependent on door thickness
2. Curved strike extension beyond jamb at Z must not be less than 3/16" (5) to ensure proper functioning of latch bolt
3. 1 1/8" (29) Lip length for 1 3/8" (35) to 1 3/4" (44) doors. Other lengths available
4. Strike location on frames must be adjusted for thickness of door silencers, when used



Dimensions shown in parentheses () are in millimeters.

Door preparation template