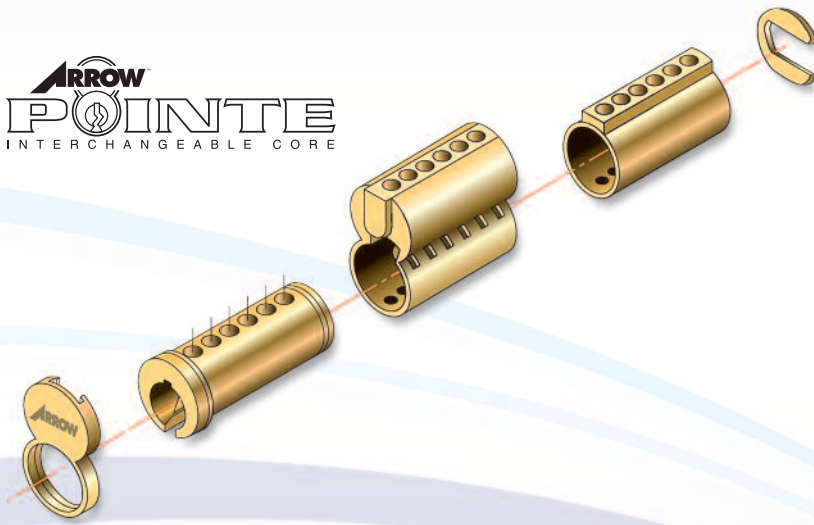


# Cylinders & IC Products – Arrow Pointe

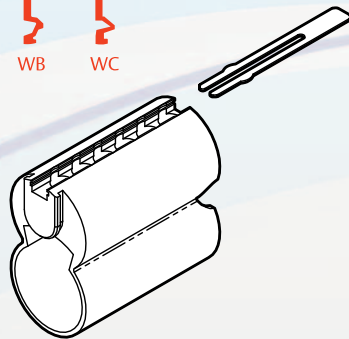
## Classic Product

Arrow Pointe interchangeable core products offer dealers unlimited flexibility and keying options. Available in standard 6 and 7 pin format in Arrow and competitive keyways, dealers can install Arrow Pointe in new or existing key systems. Arrow's unique manufacturing process gives Arrow Pointe interchangeable cores unmatched strength and durability. The core features four main components: The plug, shell, sleeve and faceplate. Our precision engineering design, keying capability and availability make Arrow Pointe interchangeable cores our most specified brand for commercial, industrial and institutional applications.

**ARROW**  
**POINTE**  
INTERCHANGEABLE CORE



### Arrow & Competitor Keyways:



7 PIN  
INTERCHANGEABLE  
CORE

6 PIN  
INTERCHANGEABLE  
CORE

### Features:

- Solid Brass Construction
- Reinforced Sleeve Design
- Combined or Uncombined
- US26D or US4 finish

### Arrow Keyways:

- 1C & 1D Standard
- Competitive Keyways Available
- Restricted Keyways Available — Consult Factory

Cat No.	Description
100CR	6 Pin Combined Core
100CR-UC	6 Pin Uncombined Core
7100CR	7 Pin Combined Core
7100CR-UC	7 Pin Uncombined Core
C x Keyway	6/7 Pin Key Blank
CP x Keyway	6/7 Pin Key Blank, Plain Bow

### SFIC Cores With Alternate Slide Cover

Cat No.	Description
100SR	6 Pin Combined Core
100SR-UC	6 Pin Uncombined Core
7100SR	7 Pin Combined Core
7100SR-UC	7 Pin Uncombined Core