

25-O/OZ/OZA REGULAR ARM

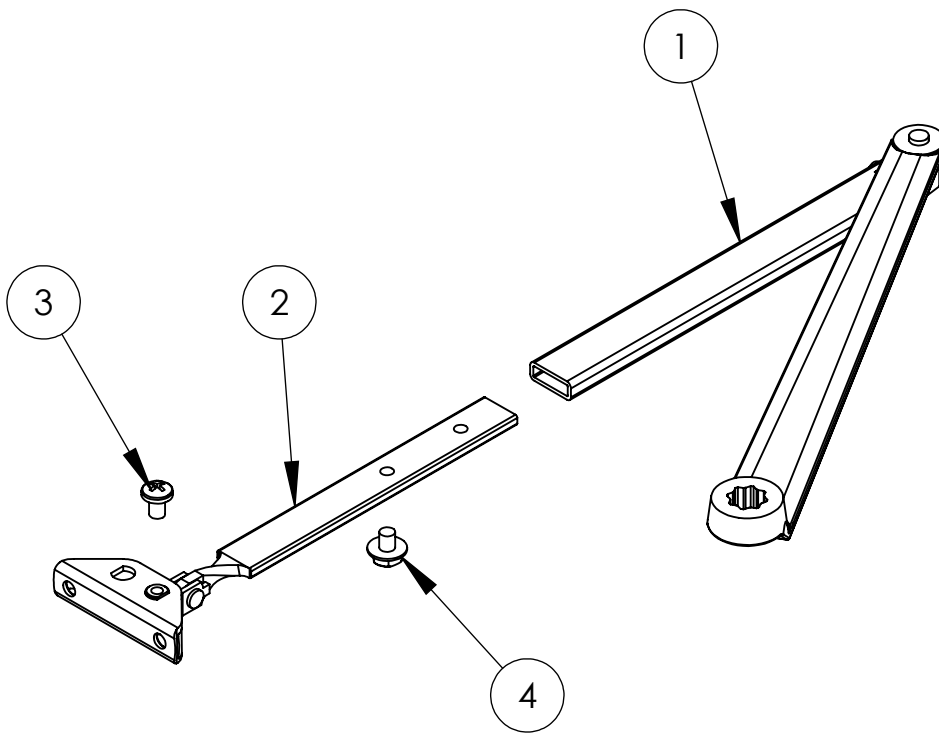
PARTS LIST

PAGE No. 4 REV. B

2/2011

ITEM No.	PART No.	DESCRIPTION	QTY.
1	*63-2607	MAIN ARM & LINK ASSEMBLY	1
2	*63-2216	O FOOT ASSEMBLY (REF. SWIVEL ARM LENGTH 7 - 9/16") STANDARD	1
	*63-2217	OZ FOOT ASSEMBLY (REF. SWIVEL ARM LENGTH 10 - 11/16")	
	*63-2218	OZA FOOT ASSEMBLT (REF. SWIVEL ARM LENGTH 13 - 13/16")	
3	*01-1140	1/4 -24 UNC x 3/8" LENGTH	1
4	*61-0308	SWIVEL ARM SCREW	1

* SPECIFY FINISH



© SARGENT Manufacturing Company, an ASSA ABLOY Group Company. All Rights reserved.

FINISH REQUIRED: POWDER COAT FINISHES - EB, EN, ED, EP, EAB

SARGENT®
ASSA ABLOY