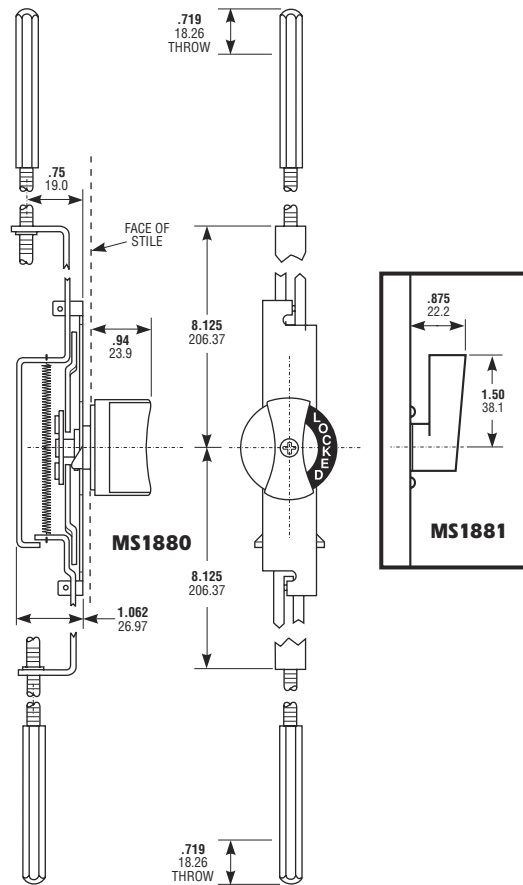


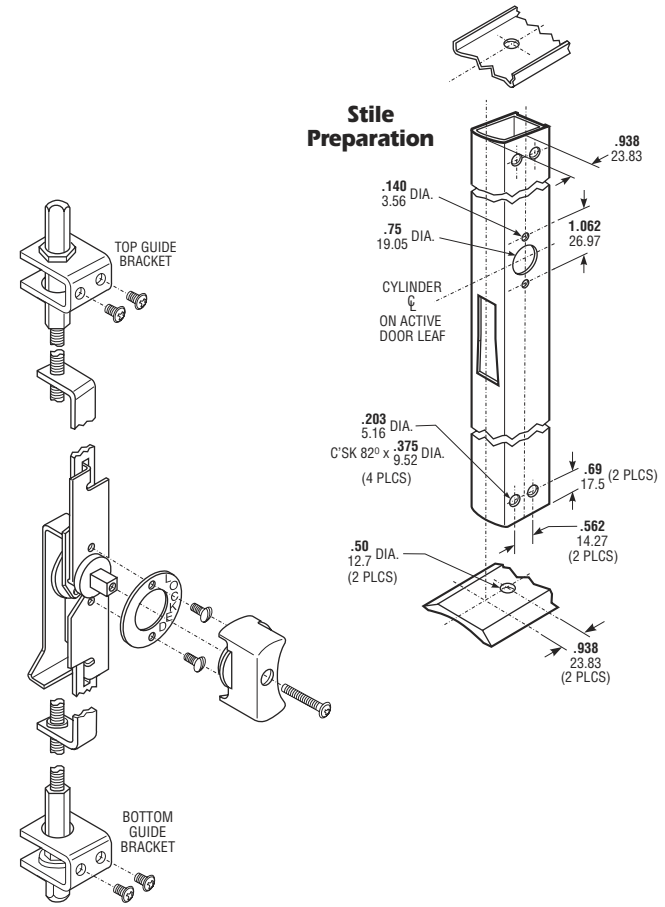
DIMENSIONS

INCHES
MILLIMETERS

Nominal, subject to tolerance extremes.



INSTALLATION



ADAMS RITE MANUFACTURING CO.

260 Santa Fe Street, Pomona, CA 91767
Phone: (909) 632-2300 Fax: (909) 632-2369

MS1880, 1881 Two-Point Flushbolt