

**Notes:**

1. Do not scale drawing.
2. Dimensions are given in inches (mm).
3. Pivot drilled for 1/4-20 x 5/8" FHMS or #14 x 1-1/2" FHWS.
4. Right hand shown.

**FA180  
 Top Pivot-Asylum Design  
 3/4" Offset-Handed**

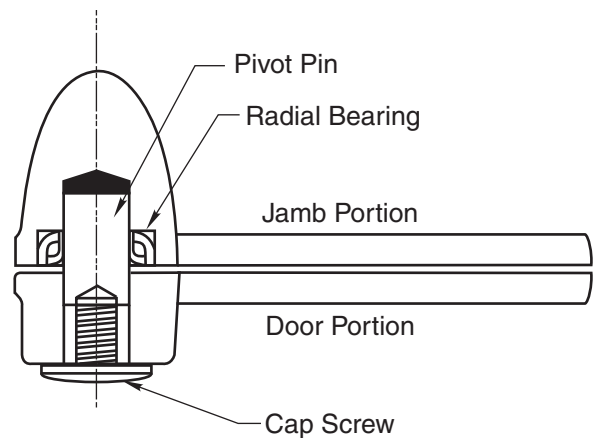
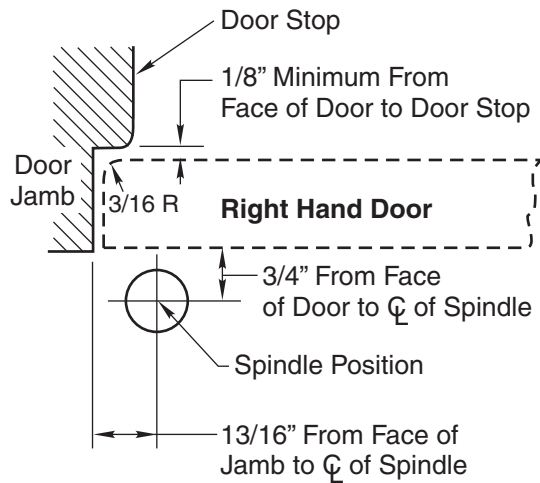
**RIXSON®**  
**ASSA ABLOY**  
 www.rixson.com

TEMPLATE NUMBER	DATE
<b>IS-FA180</b>	<b>07-09</b>

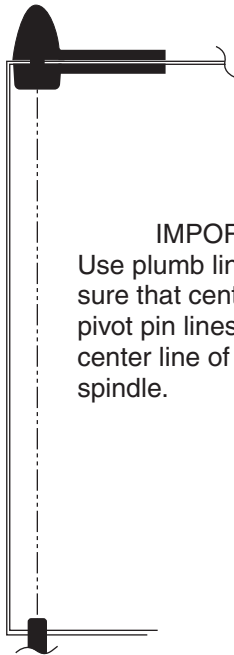
Handed

# FA180 Top Pivot

3/4" Offset



Cut-Away View of Top Pivot



**IMPORTANT:**  
Use plumb line to make sure that center line of top pivot pin lines up with center line of closer spindle.

## 1. Install Pivot

- A. Install top pivot in door per template.
- B. Install top pivot in jamb per template.
- C. If side jamb pivot is used, see required template for instructions.

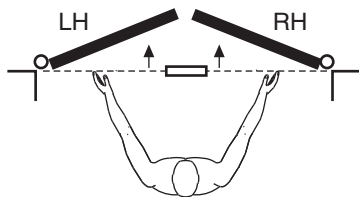
## 2. Alignment

Center line of pivot should line up with center line of bottom spindle. Use plumb line as illustrated.

## 3. Connecting Pivot:

When mounting door, push top pivot pin up into place and install cap screw. (See drawing).

### How To Determine Hand of Door



Face a door swinging open away from you. If it opens to the right, it is right hand. If it opens to the left, it is left hand.

**FA180**  
**Top Pivot-Asylum Design**  
**3/4" Offset-Handed**

**RIXSON®**  
**ASSA ABLOY**

www.rixon.com

TEMPLATE NUMBER

**IS-FA180**

DATE

**07-09**