

Notes:

1. Do not scale drawing.
2. Dimensions are given in inches (mm).
3. Right Hand shown.
4. Template drawing for reference only.

**280 Top Pivot
3/4" Offset
Half Surface**

RIXSON®
ASSA ABLOY

www.rixson.com

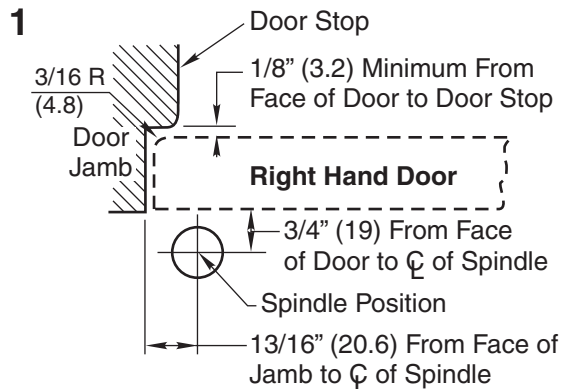
TEMPLATE NUMBER

IS-280

DATE

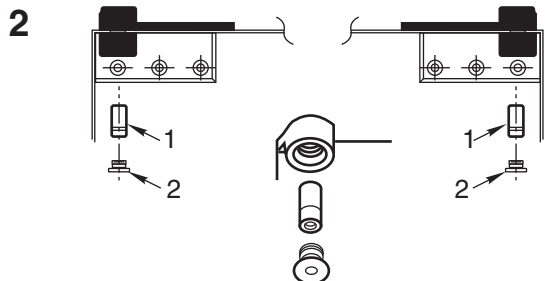
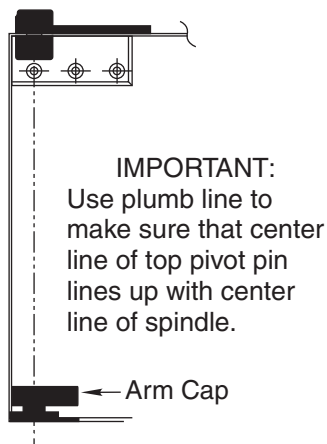
07-09

280 Top Pivot



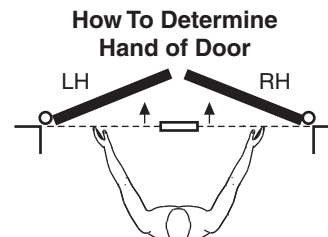
1. Install Pivot

- Measure 13/16" (20.6) out from door jamb.
- Allow 1/8" (3.2) min. clearance from door stop to door face. Measure door thickness. Add 3/4" (19).
- Where lines meet determines center line of closer/bottom pivot.
- Install top pivot in door per template.
- Install top pivot in frame per template.



2. Hang Door

- Set door on bottom pivot/closer spindle.
- Push Item 1 "top pivot pin" into place. Attach "cap" Item 2. **CAP MUST BE TIGHTENED SECURELY**



Face a door swinging open away from you. If it opens to the right, it is right hand. If it opens to the left, it is left hand.

**280 Top Pivot
 3/4" Offset
 Half Surface**

RIXSON®
ASSA ABLOY

www.rixson.com

TEMPLATE NUMBER

IS-280

DATE

07-09