

# HK Series Cylindrical Locksets



## Features:

**Lock Chassis** – Cold rolled steel with zinc dichromate finish for corrosion resistance. Latch retractor is precision cast steel. Requires standard 2-1/8" (53.97mm) bore through door.

**Door Thickness** – 1-3/8" (35mm) to 2" (50.80mm)

**Latch** – Stainless steel with 1/2" (12.7mm) throw. Latch housing is steel, zinc dichromate finish for corrosion resistance. 1" (25.4mm) bore in edge of door required.

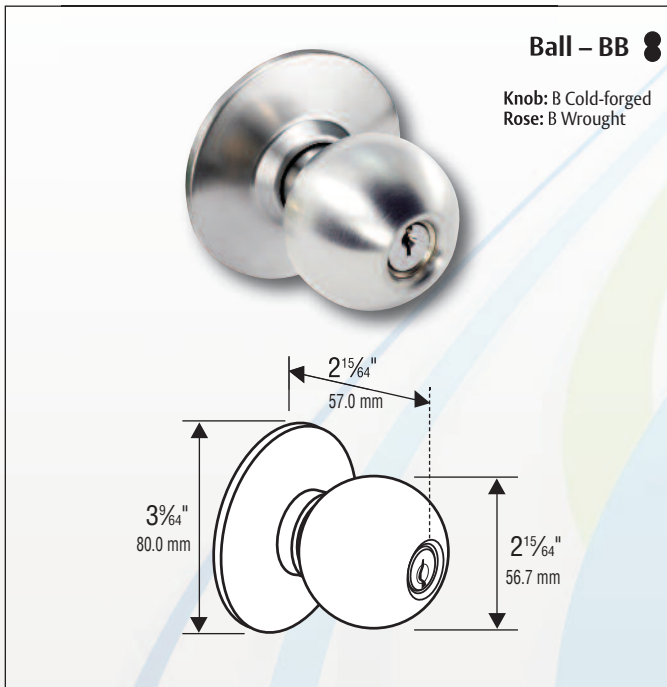
**Latch Front** – Brass or stainless steel, 2-1/4" (57.15mm) x 1-1/8" (28.57mm), beveled 1/8" (3.17mm) in 2" (50.8mm)

**Handing** – Reversible.

## Finishes:

BHMA	U.S. Equiv.	Arrow Equiv.	Finish
5 630	US32D	32D	Satin Stainless Steel

## Design:



## Professional Replacement Products

The HK series Grade 1 Cylindrical Knob lock is designed and tested for the most robust applications for Grade 1 knob locksets. Backed by the Arrow 10 year warranty and Certified to BHMA Grade 1 it is the worry free solution when a Grade 1 knob lock is needed.

**Strike** – Brass or stainless steel. ANSI A115.2, 4-7/8" (123.82mm) x 1-1/4" (31.75mm) curved lip standard with a 1-1/4" (31.75mm) lip to center dimension.

**Cylinder, Standard** – Solid brass, 6 pin cylinder with Schlage keyway. Supplied with two 6 pin nickel plated brass keys.

**Cylinder Options** – Interchangeable core-lockset prepared for use with 6 or 7 pin interchangeable core available. SFIC format. Supplied less core. Suffix "IC" to design.



## Certification & Compliance:

- ANSI/BHMA A156.2, Series 4000, Grade 1.
- Underwriters Laboratories (UL and CUL) listed for use on 3 hour, A label single swinging doors.