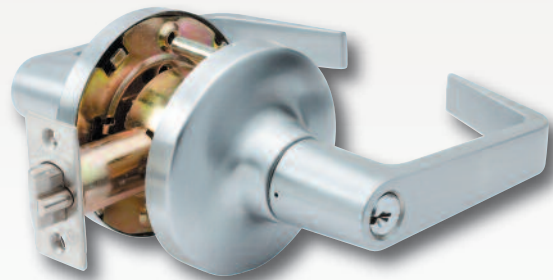


# GL Series Cylindrical Lever Locks

## Premier Product

Arrow GL Series Grade 1 heavy duty levers offer an economically pleasing solution for ADA compliance. The GL solution is designed with the installer in mind, providing fewer subcomponents to allow for an easier to install system. Simply put, the GL Series will be your number one choice when economy is your first priority.



### Certification:



All Arrow GL Series locks are UL/cUL listed for use on 3 hour, A label or lesser doors and are certified to conform to the requirements of ANSI/BHMA A156.2, Series 4000, Grade 1.

- Federal Specification FF-H-106C
- ANSI A117.1 Accessibility Code
- California State Reference Code for levers returning to within 1/2" (12.7mm) of door surface



### Features:

**Housing** – Interlocking lever tubes are made from dichromate plated steel. The tubes are attached to the rose insert. This offers fantastic support for a ridged feel without excess movement. Standard bearing sleeves used on most other Arrow lever series are not used on the GL.

Requires standard 2-1/8" (53.97mm) bore through door.

**Thru-Bolts** – Removable thru-bolts standard on GL Series



**OverDrive™ will allow a locked lever to rotate freely without retracting the latch, improving the life and performance of Arrow locksets.**

**OverDrive™** – Freewheeling lever action occurs when latch retraction mechanism disengages from lever handle when handle is locked. Built-in stops in the rose insert prevent lever from traveling beyond approximately 70 degrees.

**Backset** – 2-3/4" (69.85mm) standard. See price book for alternate backsets.

**Latch** – Stainless Steel with 1/2" (12.7mm) throw standard. Latch housing is steel, zinc dichromate finish for corrosion resistance. 1" (25.4mm) bore in edge of door is required.

**Latch Front** – Brass and stainless steel. 2-1/4" (57.15mm) x 1-1/8" (28.57mm), 1/8" (3.175mm) in 2" (50.8mm).

### ADA/Americans with Disabilities Act:

#### Acceptable Door Hardware: Section 4.13.9

Handles, pulls, latches and other operating devices on accessible doors shall have a shape that is easy to grasp with one hand and does not require grasping, tight pinching or twisting of the wrist to operate. Lever operated mechanisms, push-type mechanisms and "U" shaped handles are acceptable designs.



Look for the universal symbol next to Arrow products that comply with ADA accessibility requirements.

**Exposed Trim** – Levers are pressure cast zinc. Streamline rose scalp of brass or bronze complements other series of lever locks.

**Rose Inserts** – Contain coil spring which is a permanent assembly within rose insert. Inside and outside rose scalps are retained by dimples that create an interference fit with the rose inserts. There are no special retention features added to the rose insert that align the scalp.

**Strikes** – Brass and stainless steel. ANSI A115.2, 4-7/8" (123.82mm) x 1-1/4" (31.75mm) curved lip strike standard.

**Door Thickness** – 1-3/8" (34.92mm) to 2" (50.8mm).

**Handing** – Non-handed. Levers operate bi-directionally.

**Finishes** – US3, US10B, US26D.

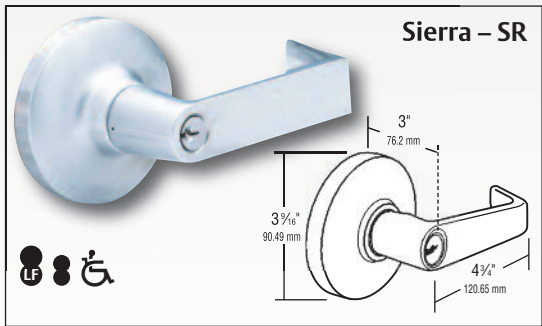
**Packaging** – 1 per box, 10 per case.

**Warranty** – Limited five year warranty.

# GL Series Cylindrical Lever Locks

## Premier Product

### Design:



### Finishes:





|   | BHMA | U.S. Equiv. | Arrow Equiv. | Finish                        |
|---|------|-------------|--------------|-------------------------------|
| 1 | 605  | US3         | 03           | Bright Brass                  |
| 2 | 613  | US10B       | 10B          | Dark Oxide Bronze, Oil Rubbed |
| 3 | 626  | US26D       | 26D          | Satin Chromium Plated         |

### Cylinders:

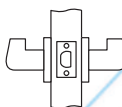
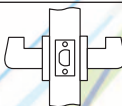

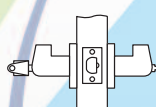
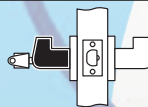
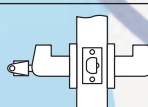
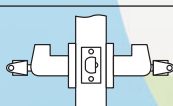
**Conventional**—GL? Series locksets are supplied standard with Arrow "A" keyway, 6 pin cylinder. As with all other lock series, various levels of masterkeying are available. Conventional cylinders are available in a variety of competitive manufacturers keyways. Supplied with two nickel silver keys.

### Interchangeable Core:

 Look for these symbols to indicate when product is available in either large or small format interchangeable core.

 **Cylinder Options**—Interchangeable core – lockset prepared for use with 6 or 7 pin interchangeable core. Supplied less core, but packed with 6 and 7 pin tailpieces. Suffix "IC" to request Small Format Interchangeable Core prep and "LIC" for Medeco Large Format Interchangeable core prep.

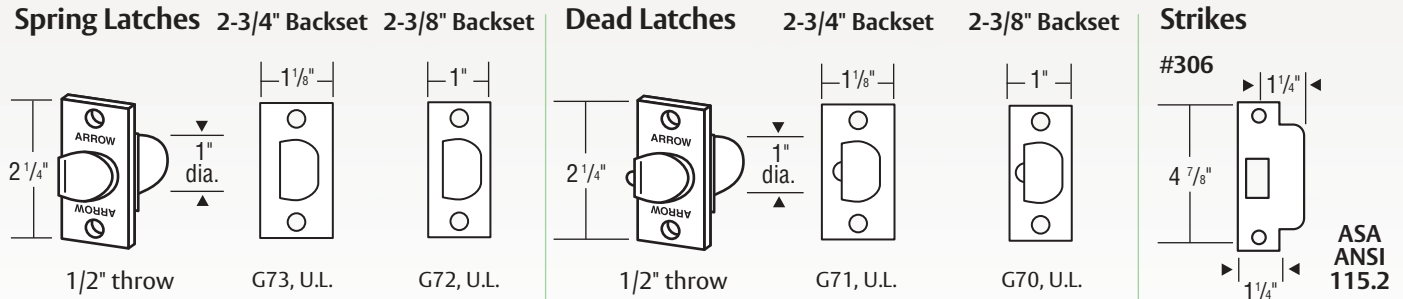
### Functions:

| ARROW STANDARD | ARROW OVERDRIVE™ | ANSI/FEDERAL # | FUNCTION           | DESCRIPTION  |
|----------------|------------------|----------------|--------------------|--|
| GL01           |                  | F75/161N       | Passage            |  Latchbolt operated by lever either side.  |
| GL02           |                  | F76/161L       | Privacy            |  Latchbolt operated by lever either side except when inside pushbutton locks outside lever. Unlocked by turning inside lever, using emergency key outside or closing door.  |
| GL08           |                  |                | Single Dummy Trim  |  Rigid trim for one side of door only. Used as pull or to match active trim.  |
| GL81           | F109             |                | Entrance/Office    |  Dead locking latch bolt operated by lever from either side except when outside lever is locked by pushing turn button inside. Key outside or operating inside lever releases turn button unlocking outside lever except when turn button had been rotated to keep outside lever locked. Inside turn button must be manually operated to unlock outside lever. Inside lever always operates latch bolt. |
| GL82           | F86/161D         |                | Storeroom          |  Latchbolt operated by key in outside lever or by inside lever. Outside lever always rigid.   |
| GL87           | F84/161R         |                | Classroom          |  Latchbolt operated by lever either side except when key outside locks outside lever. Inside lever always free. Key outside locks/unlocks outside lever only.   |
| GL97           | F110             |                | Intruder Classroom |  Deadlocking latch bolt operated by lever from either side. Key either inside or outside locks or unlocks outside lever. Inside lever always operates latchbolt.  |

# GL Series Cylindrical Lever Locks

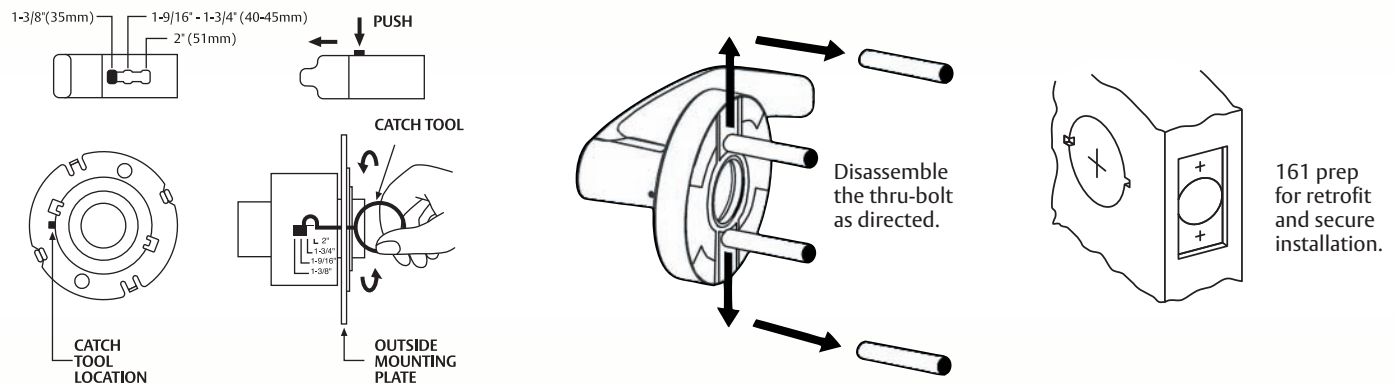
## Premier Product

### Latches & Strikes:



### Installation:

#### Adjustable Mounting Plate



### Suggested Specification:

All locksets shall be GL Series Cylindrical locksets as supplied by Arrow Lock company.

Locksets shall meet ANSI/BHMA requirements for Series 4000, Grade 1, and shall be U.L. and c.U.L. listed for 3 hour, A label openings. Lockset conforms to ANSI A117.1 for barrier-free accessibility, and the California State Reference Code (formerly Title 19, California State Fire Marshall Standard).

Lockset shall be non-handed and no exposed screws. Chassis mounting screws may be accessed only when lever and rose are removed.

Inside and outside rose inserts shall have independent heavy strength coil springs allowing lever handle to move bi-directionally.

Lockset shall be equipped with OverDrive™, freewheeling feature whereby the latch retraction mechanism disengages from the lever handle allowing lever to move freely when locked, without retraction the latch. A built in stop in the rose insert shall prevent lever from travelling beyond approximately 70 degrees.

Lever trim shall consist of cast levers with wrought brass or bronze rose scalps. Levers shall be a minimum of 4-5/8" in length and where applicable shall return to within 1/2" of the door surface.

Disassembly of lockset for cylinder removal shall not be required. Cylinder shall be changed by removing the lever.

All products shall be of one manufacturer.

All locksets shall carry a five year limited warranty.

### Order Example:

**Example:** To order a GL Series classroom function lockset with a Sierra design lever, satin chrome finish, with an ASA strike and 2-3/4" backset, keyed different:

|                 |           |           |           |            |            |            |           |                       |
|-----------------|-----------|-----------|-----------|------------|------------|------------|-----------|-----------------------|
| <b>Specify:</b> | <b>GL</b> | <b>87</b> | <b>SR</b> | <b>26D</b> | <b>306</b> | <b>G71</b> | <b>KD</b> | <b>XXX</b>            |
|                 | Series    | Function  | Design    | Finish     | Strike     | Latch      | Keying    | Options (if required) |