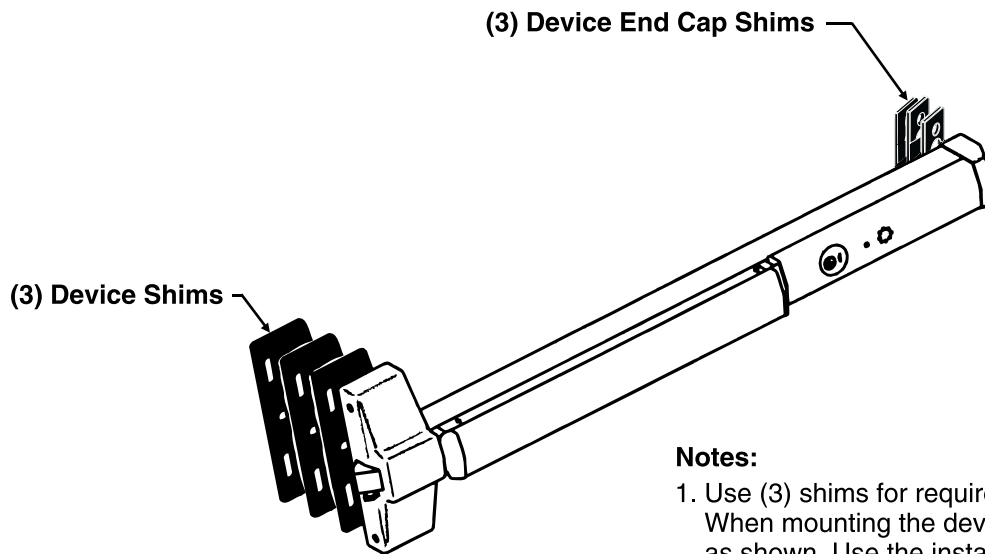


Windstorm Exit Device Shim Kits for ED5200S (A) x M107

Installation Instructions

FM 236 (617417550) Rev. 9/09

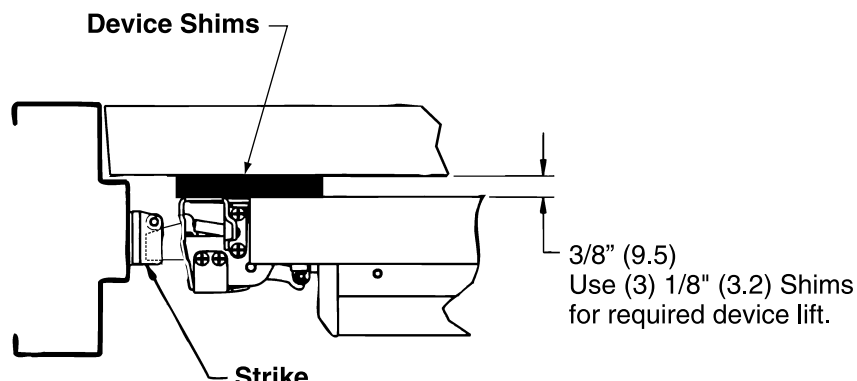
Shim Locations



Notes:

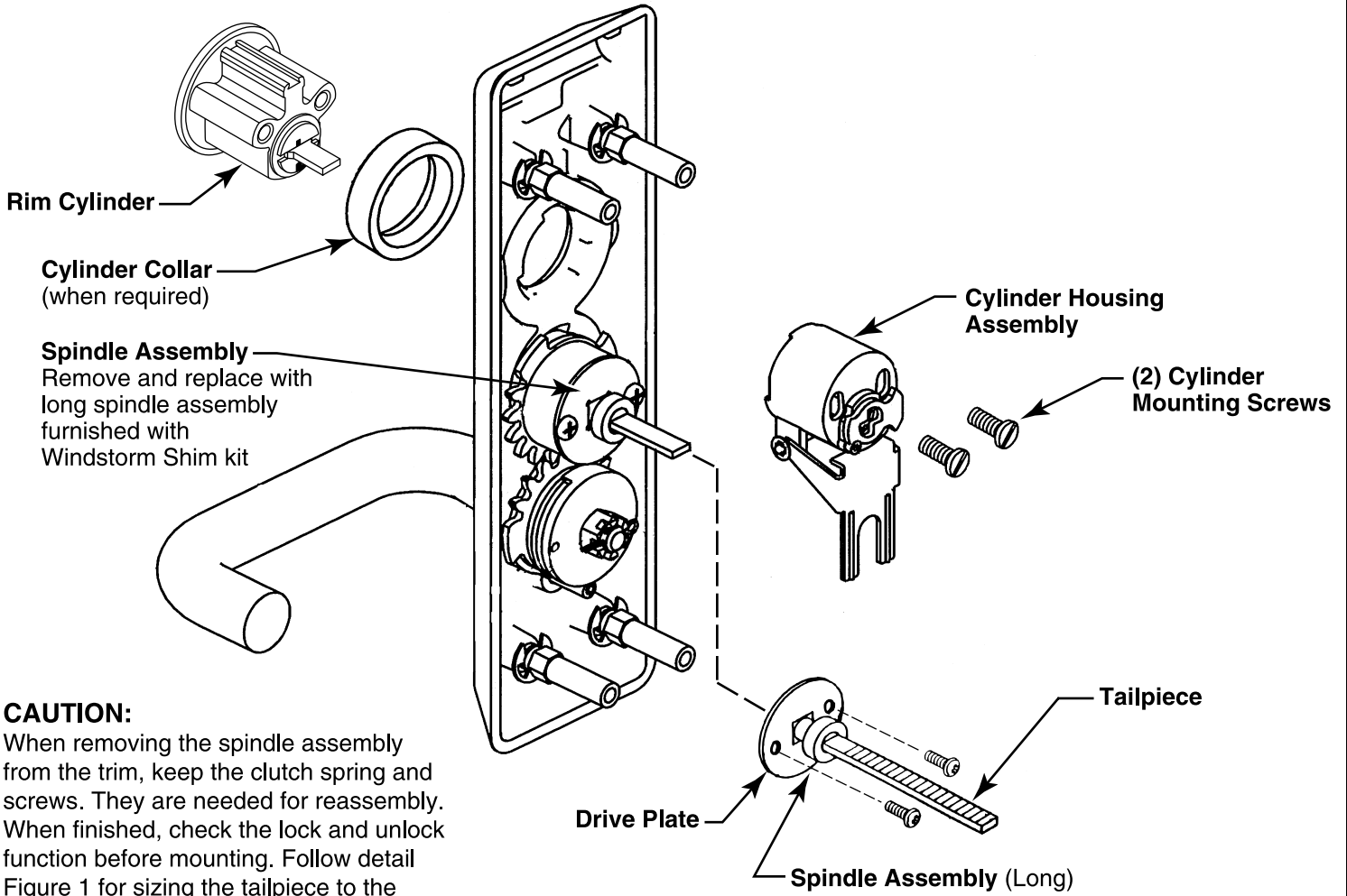
1. Use (3) shims for required 3/8" (9.5) lift. When mounting the device, position shims as shown. Use the installation instructions packed with the unit. Use longer screws provided with this kit.
2. For SecureBolt Device, Strike, and Shim locations, see illustration below.

Caution : Strike Location Will Vary



Caution - Strike location will vary.
Adjust strike to compensate for the
3/8" (9.5) shim height.

Trim Spindle Instructions for Windstorm Applications



CAUTION:

When removing the spindle assembly from the trim, keep the clutch spring and screws. They are needed for reassembly. When finished, check the lock and unlock function before mounting. Follow detail Figure 1 for sizing the tailpiece to the door and shim thickness.

Dimensions given in inches (mm)



ASSA ABLOY

In U.S.:
Corbin Russwin, Inc.
225 Episcopal Road
Berlin, CT 06037 USA
Phone: 860-225-7411

In Canada:
ASSA ABLOY Door Security Solutions Canada
160 Four Valley Drive
Vaughan, Ontario, Canada L4K 4T9
Phone: 800-461-3007

Figure 1.

