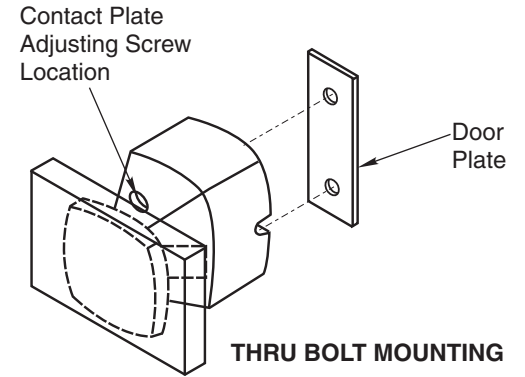
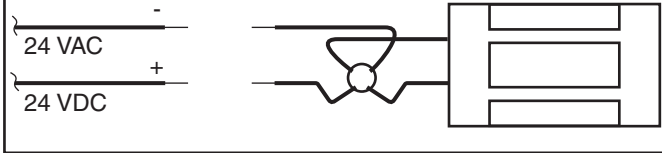
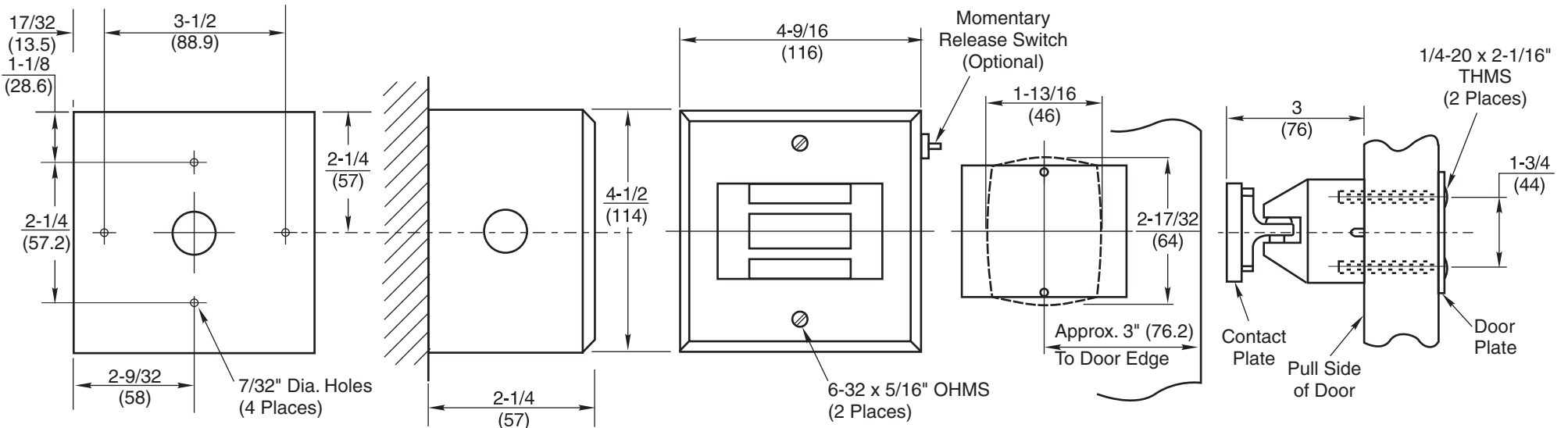


**WIRING DIAGRAM**



**Notes:**

1. Do not scale drawing.
2. Total projection 5-5/16". (Includes Electromagnet, Armature Assembly and Wall Cover Plate.)
3. Power requirements: 24VAC/DC, .25 amp.
4. See Step 1 on DR100230B for switch box location. Anchor switch box to withstand a minimum 300 lb. pull.
5. Door closing mechanism should have a 3 lb. closing force at the degree of door opening where door armature and electromagnet engage.
6. Mounting of switch box should be reinforced to withstand shock of door opening. Failure to do so will cause box anchors to work loose.
7. All dimensions given in inches (mm).
8. Holding force is 3 to 235 pounds.



**FM993 Door Release**

**RIXSON**  
**ASSA ABLOY**

www.rixson.com

TEMPLATE NUMBER

**DR100230A**

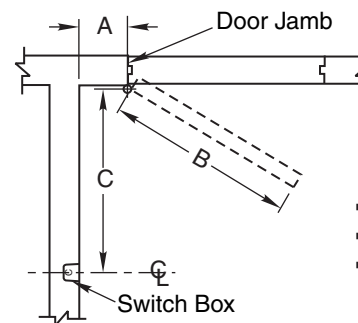
DATE

**02-09**

### Location of Switch Box

- To locate switch box use table below.
- Determine door width (Dim. "B"). Measure pivot centerline to wall (Dim. "A"). Find dimension "C" in table.  
 Example:  
 Pivot centerline to wall ("A") = 10" (25.4cm)  
 Door Width ("B") = 36" (91.4cm)  
 Switch Box Centerline ("C") = 32-1/2" (82.5cm)
- If "A" or "B" falls between the numbers listed in table allow for difference.  
 Example:  
 Pivot centerline to wall ("A") = 13" (33cm)  
 Door Width ("B") = 35" (88.9cm)  
 Switch Box Centerline ("C") = 31-1/2" (80cm)
- If dimensions "A" and "B" intersect in shaded area of table **do not install switch box**. The degree of door opening will not permit proper alignment between armature and wall magnet.
- Height to be determined by others. Suggested height is not over 6'0" (1.8m).
- Check degree of door opening in table and coordinate with door closers and other door hardware.

### Location of Switch Box



"A" – Pivot Centerline to Wall  
 "B" – Door Width  
 "C" – Pivot Centerline to Switch Box Centerline

|      |     | Door Width "B" |      |          |      |          |      |          |      |          |      |          |      |          |      |          |      |          |      |          |      |          |      |
|------|-----|----------------|------|----------|------|----------|------|----------|------|----------|------|----------|------|----------|------|----------|------|----------|------|----------|------|----------|------|
|      |     | 28             |      | 30       |      | 32       |      | 34       |      | 36       |      | 38       |      | 40       |      | 42       |      | 44       |      | 46       |      | 48       |      |
| DIM. | "A" | Dim. "C"       | Deg  | Dim. "C" | Deg  | Dim. "C" | Deg  | Dim. "C" | Deg  | Dim. "C" | Deg  | Dim. "C" | Deg  | Dim. "C" | Deg  | Dim. "C" | Deg  | Dim. "C" | Deg  | Dim. "C" | Deg  | Dim. "C" | Deg  |
| 2    |     | 24-3/4         | 84°  | 26-3/4   | 84°  | 28-3/4   | 85°  | 30-3/4   | 85°  | 32-3/4   | 85°  | 34-3/4   | 86°  | 36-3/4   | 86°  | 38-3/4   | 87°  | 40-3/4   | 87°  | 42-3/4   | 87°  | 44-3/4   | 87°  |
| 4    |     | 25             | 89°  | 27       | 89°  | 28-7/8   | 89°  | 30-7/8   | 89°  | 32-7/8   | 89°  | 34-7/8   | 89°  | 37       | 90°  | 39       | 90°  | 41       | 90°  | 43       | 90°  | 45       | 90°  |
| 6    |     | 24-3/4         | 94°  | 26-7/8   | 94°  | 28-3/4   | 93°  | 30-7/8   | 93°  | 32-7/8   | 93°  | 34-7/8   | 92°  | 36-7/8   | 92°  | 38-7/8   | 92°  | 41       | 92°  | 43       | 92°  | 45       | 92°  |
| 8    |     | 24-1/2         | 98°  | 26-5/8   | 98°  | 28-1/2   | 97°  | 30-5/8   | 97°  | 32-1/2   | 96°  | 34-5/8   | 96°  | 36-5/8   | 96°  | 38-5/8   | 95°  | 40-5/8   | 95°  | 42-5/8   | 95°  | 44-5/8   | 95°  |
| 10   |     | 24-1/4         | 103° | 26-1/4   | 102° | 28-1/4   | 101° | 30-3/8   | 100° | 32-1/2   | 99°  | 34-1/2   | 99°  | 36-1/2   | 98°  | 38-1/2   | 98°  | 40-1/2   | 98°  | 42-1/2   | 97°  | 44-1/2   | 97°  |
| 12   |     | 23-1/2         | 107° | 25-5/8   | 106° | 27-1/2   | 105° | 29-3/4   | 104° | 31-3/4   | 103° | 34       | 103° | 36       | 102° | 38       | 101° | 40       | 101° | 42-1/8   | 100° | 44-1/8   | 100° |
| 14   |     | 22-5/8         | 113° | 24-7/8   | 111° | 27       | 110° | 29-1/8   | 108° | 31-1/4   | 107° | 33       | 106° | 35-1/2   | 105° | 37-5/8   | 104° | 39-5/8   | 104° | 41-5/8   | 103° | 43-3/4   | 103° |
| 16   |     | 21-1/2         | 118° | 24       | 116° | 26       | 114° | 28-3/8   | 112° | 30-1/2   | 110° | 32-5/8   | 109° | 34-7/8   | 108° | 37       | 107° | 39       | 106° | 41-1/8   | 105° | 43-1/4   | 105° |
| 18   |     | 20-3/8         | 124° | 22-3/4   | 120° | 25       | 118° | 27-1/2   | 116° | 29-3/4   | 115° | 32       | 113° | 34-1/8   | 111° | 36-1/4   | 110° | 38-3/4   | 109° | 40-1/2   | 109° | 42-5/8   | 108° |
| 20   |     | 18-7/8         | 129° | 21-1/2   | 125° | 24       | 123° | 26-3/8   | 120° | 28-5/8   | 118° | 31       | 117° | 33-1/4   | 115° | 35-1/2   | 113° | 37-5/8   | 112° | 39-3/4   | 111° | 42       | 110° |
| 22   |     |                |      | 19-3/4   | 131° | 22-1/4   | 128° | 25       | 125° | 27-1/4   | 122° | 29-3/4   | 120° | 32-1/8   | 118° | 34-1/2   | 117° | 36-5/8   | 115° | 39       | 114° | 41-1/8   | 113° |
| 24   |     |                |      |          |      | 20-1/2   | 133° | 23-1/4   | 130° | 25-7/8   | 127° | 28-3/4   | 124° | 31       | 122° | 33-1/4   | 120° | 35-1/2   | 118° | 37-3/4   | 117° | 40       | 116° |
| 26   |     |                |      |          |      |          |      |          |      | 24-1/8   | 132° | 26-7/8   | 129° | 29-1/2   | 126° | 32       | 124° | 34-3/8   | 122° | 36-3/4   | 120° | 39       | 119° |
| 28   |     |                |      |          |      |          |      |          |      |          |      |          |      | 27-7/8   | 130° | 30-1/2   | 127° | 33       | 125° | 35-1/2   | 123° | 37-3/4   | 122° |
| 30   |     |                |      |          |      |          |      |          |      |          |      |          |      |          |      |          |      | 31-3/8   | 129° | 33-7/8   | 127° | 36-1/2   | 125° |
| 32   |     |                |      |          |      |          |      |          |      |          |      |          |      |          |      |          |      |          |      | 32-1/4   | 130° | 34-7/8   | 128° |

## FM993 Door Release Location Sheet

**RIXSON**  
ASSA ABLOY

www.rixson.com

TEMPLATE NUMBER

DATE

**DR100230B**

**02-09**