

# 4900 Heavy Duty Deadlatch



ALUMINUM

GRADE 1  
E8231

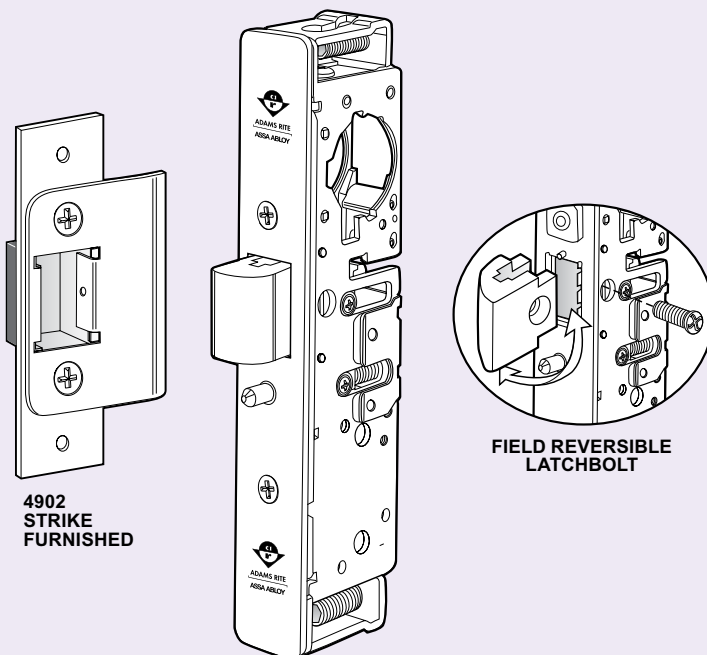
4900 Heavy Duty Deadlatch provides flexible traffic control and easy installation.

## Function

Flexibility of traffic control and installation is offered by 4900 Heavy Duty Deadlatches. A reverse turn of the key while bolt is held retracted retains the bolt, to allow two-way traffic for applications which require free entrance at certain times and exit-only at other times. Interchangeable, without stile modification, with any MS1850A or MS1850S deadbolt of same backset and faceplate shape. Also retrofits to existing 4500 and 4700 Deadlatch preparations. 1-3/4" minimum door thickness required.

## Operation

Turn key or operate handle or paddle to retract spring-loaded Latchbolt. To hold bolt retracted, push it in and secure by reverse turn of key. Uses any standard 1-5/32" mortise cylinder with MS® dimensioned cam.



## Specifications

### BOLT HOLDBACK

- While bolt is held fully retracted, a reverse turn of the key retains the bolt, allowing the door to be free swinging.

### CYLINDER BACKSET

- 31/32", 1-1/8", or 1-1/2".

### CASE

- Measures 7/8" x 5-13/16" x depth. Depth varies by backset (see table on back of page). Steel with corrosion-resistant plating. Screw-fastened tube spacer brackets allow for cleaner removal when tab mounting.

### LATCHBOLT

- 5/8" x 1" x 5/8" throw. Solid brass. Handing is easily reversible using only a screwdriver.

### AUXILIARY LATCHPIN

- Stainless steel. Deadlocks Latchbolt to prevent "loiding" or case-knife entry.

### FACEPLATES

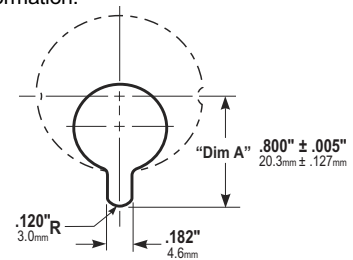
- Measures 1" x 6-7/8". Both flat and radius faceplates are supplied. Flat faceplates can also be adjusted in the field for right or left beveled edge doors.

### STRIKES

- Standard strike furnished is 4902 for flat jamb where door closes flush or nearly flush. Specify 4901 for retrofit installations. Also available: radius strike for opposite stile in paired doors and long lip strikes for centerhung doors.

### CYLINDER CAM

- 4900 Heavy Duty Deadlatches are operable by any standard 1-5/32" diameter mortise cylinder with MS® cam dimensioned as shown. Cylinders with MS® cams can be readily obtained from most cylinder manufacturers. See CYLINDERS section for cylinder make, thumbturn and trim ring information.

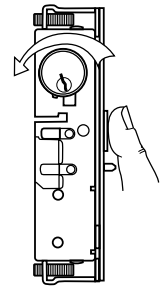


### OPTIONS

- Backset, strike, and finish must be specified when ordering. See 4920AN Heavy Duty Deadlatch (ANSI Size) for wood and hollow metal door applications.

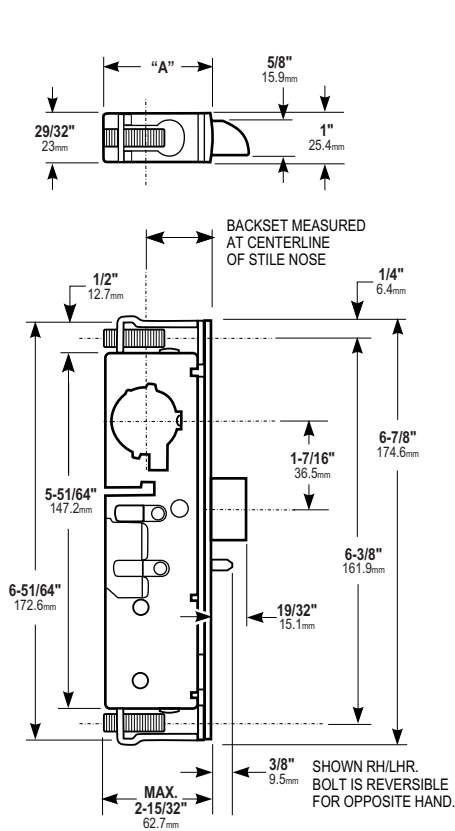
### STANDARD PACKAGE

- Individually boxed with flat and radius faceplates, strike, and machine screws for mounting. Order cylinders, paddles, handles, or lever operators separately. Shipping weight: 1-1/4 lbs.

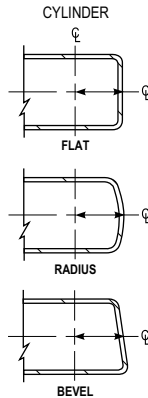


All measurements are approximate and are provided for informational purposes only. Refer to the product Installation Instructions.

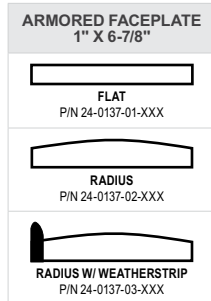
### Dimensions



HOW BACKSET IS MEASURED:



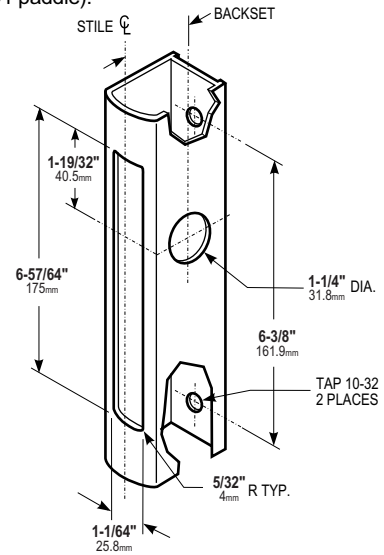
BACKSET	"A"
31/32" 24.6mm	1-5/8" 41.3mm
1-1/8" 28.6mm	1-49/64" 44.8mm
1-1/2" 38.1mm	2-9/64" 54.4mm



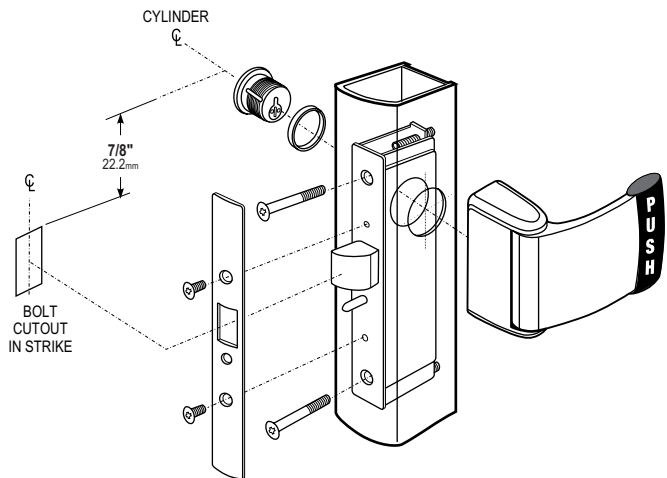
Flat faceplate can be adjusted for right or left beveled edge doors.

### Stile Preparation

Identical to MS1850A or MS1850S Series (See also prep for 4591 paddle).



### Latch Paddle & Cylinder Installation



### HOW TO ORDER 4900 HEAVY DUTY DEADLATCH

Specify quantity and the following information. Order related products separately.

Product No.	Faceplate	BACKSET	HANDING	STRIKE SIZE	STRIKE SHAPE/LIP LENGTH	FACEPLATE FINISH
<b>49</b>	<b>00</b>	<b>-3</b>	<b>5</b>	<b>-2</b>	<b>01</b>	<b>-628</b>
	00 Standard	2 31/32"	5 LH or RHR	1 Mortised (4901) 4-5/8"	01 Flat/Standard Jamb	313 Dark Bronze Anodized
	11W Radius w/Weatherseal	3 1-1/8"	6 RH or LHR	2 Mortised (4902) 2-5/8"	02 Radius/Standard Stile	335 Black Anodized
		4 1-1/2"			17 Flat/Center Hung 4" Jamb	628 Clear Anodized
					21 Flat/Center Hung 4-1/2" Jamb	

RELATED PRODUCTS When purchasing this product, please consider the following related products, available separately:

#### Accessories

Lock mounting accessories and options.

#### Cylinders

4900 Heavy Duty Deadlatches operable by any standard 1-5/32" diameter mortise cylinder with MS® cam.

#### Trim

Entry trim, paddles, handles and lever operators.

#### Electric Strikes

Application specific.