

Item No.	Description
1	Back plate
2	Door Closer (914BO / 936BO)
3	Motor Assembly (7800MA)
4	Inverter (7800IN)
5	Cover (7800CO)
6	On/Off switch
7	Circuit Breaker
8	120VAC Electrical Connections
9	Activation Inputs
10	Door Open/Closed Position Magnets
11	Optional RF Receiver
12	Power Supply - 1.1A 24V

Tools required:

- 1/8" allen wrench (included)
- Flat blade screwdriver (potentiometer & terminal size)
- Screwdriver (Phillips size 2)
- Tape ruler
- Power drill and set of drill bits
- Center punch
- Wire stripper
- #7 drill 1/4-20 tap (metal frame install)



WARNINGS

- Always disconnect the main power to the operator prior to servicing or cleaning.
- To reduce the risk of injury or person, use the operator only with Pedestrian Swing doors.
- This operator is for indoor use only.
- 120VAC power supplied to the operator must be a dedicated circuit from the main circuit breaker panel and must NOT be connected into any building lighting system that operates fluorescent lights.
- Maximum door size: 48 in (1219mm) wide x 250 lb (113.4kg).

Contents

General	2	Stop (Push) Side Installation	6
Frame Reinforcement Table	2	Electrical Installation	7
Component Layout	3	Input Power Configuration	8
ADA / ANSI / UL	3	Inverter Details	9
Hinge (Pull) Side Mounting	4	Accessory / Typical Installations	9
Hinge (Pull) Side Installation	4	Troubleshooting	11
Stop (Push) Side Mounting	6		

General Information

- UL labeled fire or smoke barrier door assemblies require that the 120VAC (60Hz) power input to the 7800 door operator be supplied through normally closed alarm contacts of the alarm system / alarm panel.
- Power input to 7800 door operator must be 120VAC (60Hz) to terminals HOT and COM at terminal strip T1. Earth ground (GND) to green screw on backplate.
- All wiring must conform to standard wiring practice in accordance with national and local wiring codes.
- Note: Unless otherwise noted, all dimensions are given in inches (millimeters).
- Minimum suggested and required material thickness for hollow metal frames (skin plus reinforcement) is charted on below.
- Unit is Non-Handed.
- Door must be hung on butt hinges [5" (127mm) max. width] or 3/4" (19mm) offset pivots. A separate door and frame preparation template will be supplied for other conditions.
- Door must swing freely through the entire opening and closing cycle before beginning the installation.
- Use of an auxiliary door stop (by others) is always recommended.
- An incorrectly installed or improperly adjusted door operator can cause property damage or personal injury. These instructions should be followed to avoid the possibility of misapplication or misadjustment.

WARNING: Make sure 120VAC (60Hz) input power is turned off at facility's main circuit breaker before proceeding with installation.

General Templating Information:

- Before beginning the installation, verify that the door frame is properly reinforced and is well anchored in the wall.
- Unreinforced hollow metal frames and aluminum frames should be prepared and fitted with 1/4-20 blind rivet nuts, furnished by others.
- Concealed electrical conduit and concealed switch or sensor wires should be pulled to the frame before proceeding.

Fasteners for Frame:

- 1/4-20 machine screws for hollow metal and aluminum.
- No. 14 x 2-3/4" (70mm) long sheet metal screws for wood.

Fasteners for Door:

- 1/4-20 machine screws.
- 3/8" diameter x 1-5/8" (41mm) long sex nut.

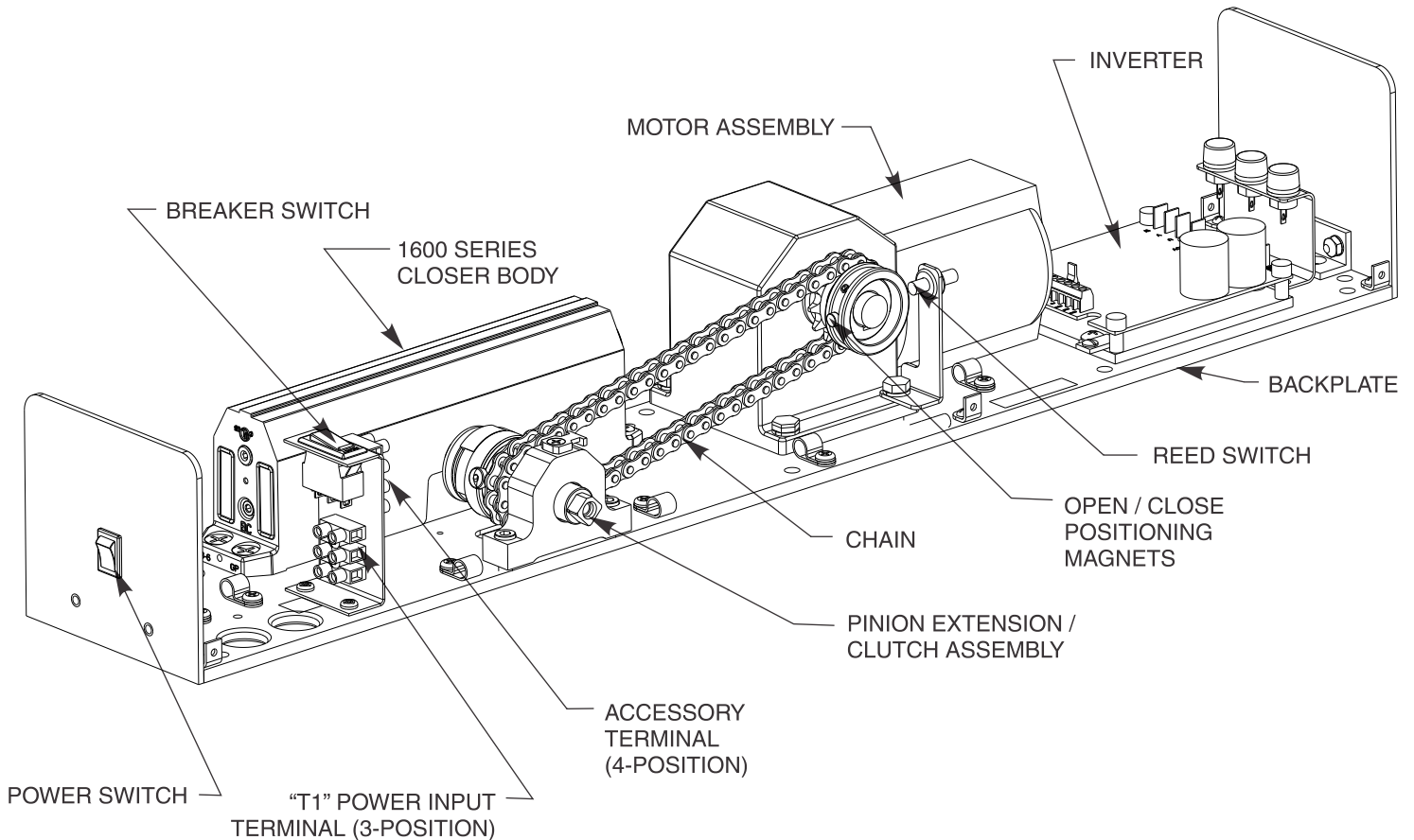
Electrical Information:

- Maximum current draw of unit is 0.6 amps.
- Breaker Switch protects the motor assembly and inverter; and has a 5 amp rating.
- Maximum wire size is:
 - 12AWG at terminals HOT and COM (120VAC; 60Hz) on "T1" Power Input Terminal.
 - 14AWG at terminals 1 thru 4 on Accessory Terminal .
 - 18AWG at terminals 22 thru 25 on "T1" Power Input Terminal.

Frame Reinforcement Table

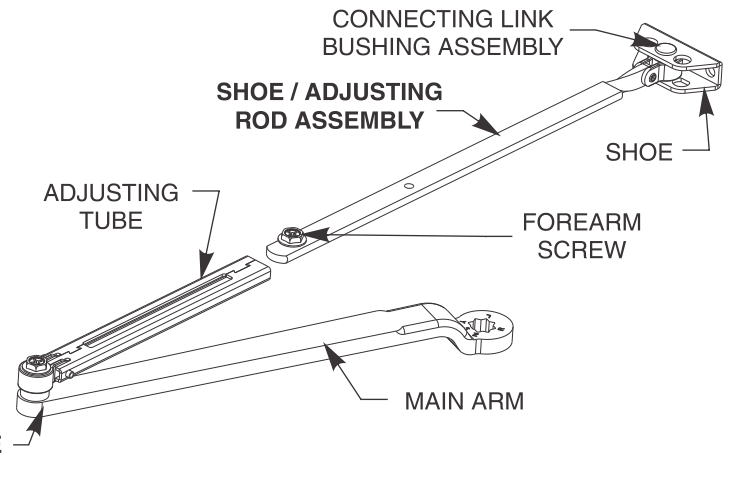
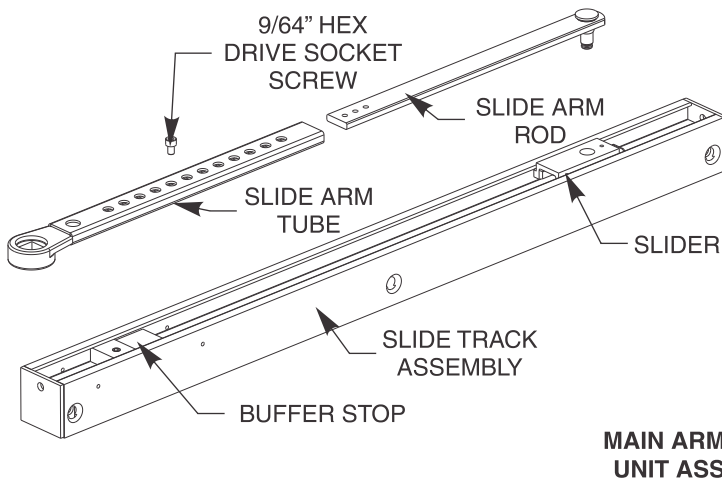
Hollow Metal Door Frame Reinforcing		
Frame Material	Reinforcing	
	Recommended	Min. Required
12 Ga. .1046 (2.66)	12 Ga. .1046 (2.66)	18 Ga. .0478 (1.21)
14 Ga. .0747 (1.90)	10 Ga. .1343 (3.41)	12 Ga. .1046 (2.66)
16 Ga. .0598 (1.52)	10 Ga. .1343 (3.41)	12 Ga. .1046 (2.66)
18 Ga. .0478 (1.21)	8 Ga. .1644 (4.18)	10 Ga. .1343 (3.41)

Component Layout



Included with 7814H and 7836H

Included with 7814S and 7836S



ADA / ANSI / UL Information

Americans With Disabilities Act (A.D.A.)

These door operators can be installed and adjusted to conform with A.D.A. regulations.

ANSI Standards



ANSI A117.1 – These door operators permit door assemblies to conform to the requirements of this specification "for buildings and facilities – **providing accessibility and usability for physically handicapped people**".

• **ANSI A156.19** – These products are designed to conform to this specification "for **power assist and low energy power operated doors**".

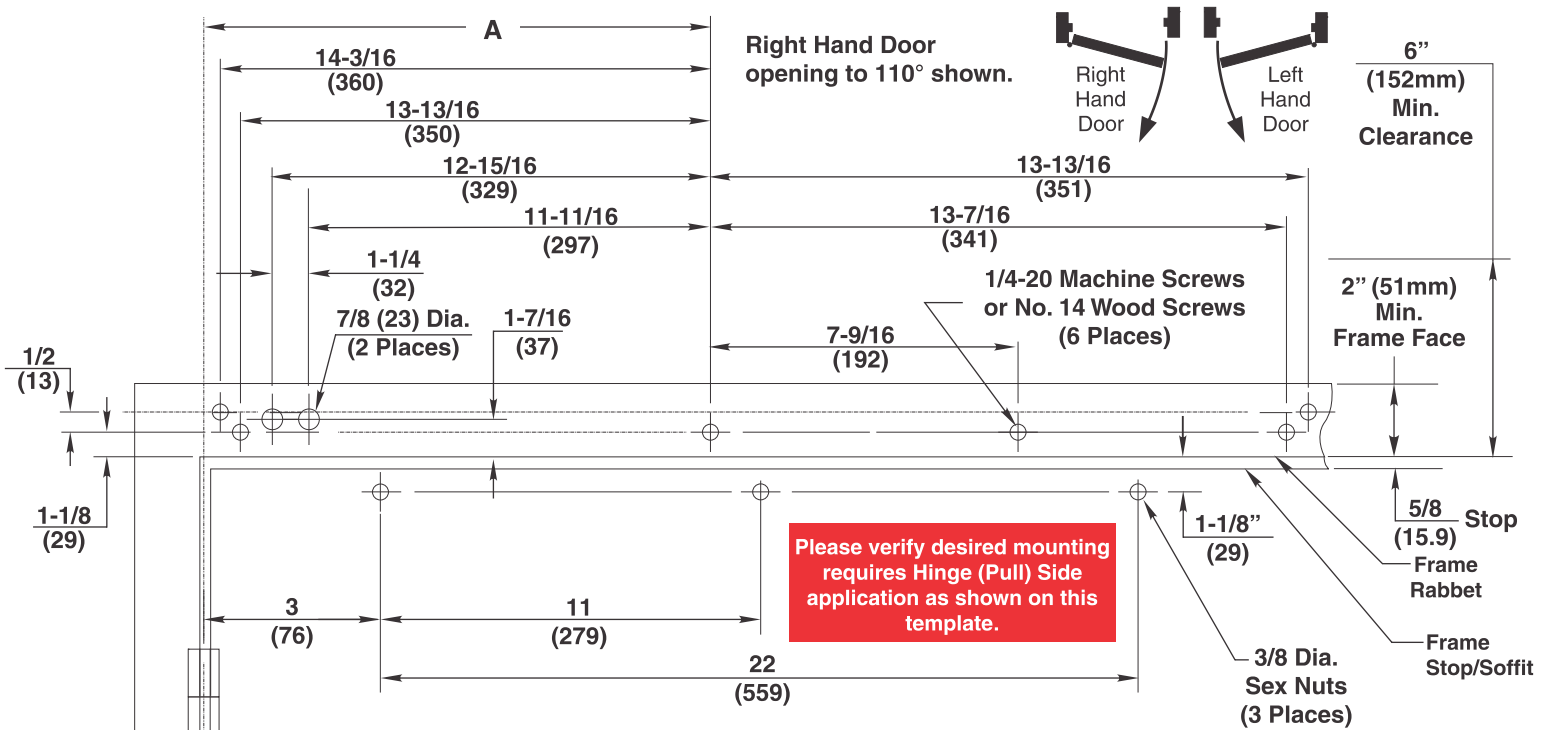
- "PAS" Function is designed to meet or exceed all of the requirements for the "Power Assist Door".
- "POR" Function is designed to meet or exceed all of the requirements for the "Low Energy Power Operated Door".

U.L. Listing



Underwriters Laboratories, Inc. listed for use on fire and smoke barrier door assemblies when the 120VAC (60Hz) power input is supplied through the normally closed alarm contacts of a compatible UL Listed alarm system or alarm panel.

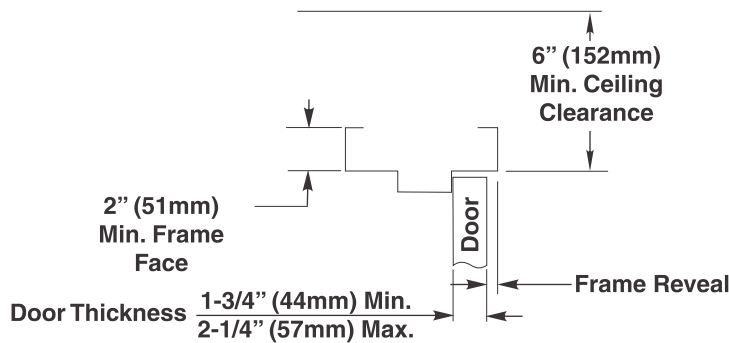
1. Hinge (Pull) Side Mounting Instructions



Door Opening Angle	Dim "A"
Up to 110°	15-1/2 (394)
111° to 180°	13-1/4 (337)

Notes:

- All dimensions are given in inches (mm).
- Thickness recommended for reinforcements in hollow metal doors and frames is charted on Page 2.
- Do not scale drawing.
- Left hand door shown.
- This template information based upon use of 5" (127mm) maximum width butt hinges. A separate template is required for other conditions.
- Maximum frame reveal is 6-7/8" (175mm) for this application.
- Conduit hole nearest the hinge is suggested for 120 VAC power input.



Note: Door must be visible by person operating activation switch(es)

1A. Installation Sequence

Step 1: Determine hand of door from illustration on upper right of this page.

Step 2: Using template above locate and prepare holes in the frame & door:

Frame

A. Prepare **six (6)** holes for 1/4-20 machine screws or No. 14 x 2-3/4" (70mm) wood screws. Blind rivet nuts (by others) are suggested for unreinforced hollow metal frames or for aluminum frames.

B. **Concealed Wired Units Only:** Two (2) 7/8" (22mm) diameter holes for conduit, for power input and for switch/sensor wires.

NOTE: On new construction these holes will generally be drilled by the frame supplier at their shop or at the time the frame is installed in the wall.

Door

C. Prepare **three (3)** holes for 3/8" diameter sex nuts. Standard units

are supplied with sex nuts and screws for 1-3/4" (44mm) thick door. Sex nuts and screws for other door thicknesses are available to order.

Step 3: Remove cover from the unit and set cover & cover screws aside.

Step 4: Mount unit to door frame. Select A or B below.

A. **Concealed Wired Units Only:** Connect conduit to frame side of backplate. Fasten unit to door frame (seven screws).

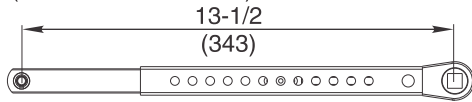
B. **Surface Wired Units Only:** Fasten unit to door frame (seven screws). Mount conduit bracket (found in screw pack) to unit's backplate with two screws provided. Connect wiring conduit to bracket.

Step 5: Mount track assembly to door using 3 1/4-20 screws & sex nuts with buffer assembly toward hinge. Open part of track to face top of door.

(Continue to next page.)

1A. Installation Sequence Continued

Step 6: Insert slide arm rod into slide arm tube setting the distance between the pinion square and the slide stud at 13-1/2" (343). Install 9/64" hex drive socket head screw from screw pack. (See illustration below)



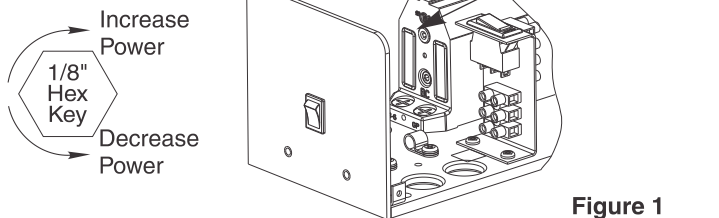
Note: Center threaded hole of slider arm should align with seventh hole of the slider tube

Step 7: Using an adjustable wrench, rotate pinion 45° toward hinge, as shown below. With the arm assembly parallel to the door, secure arm to pinion when square of the pinion aligns with the square in the arm. Secure with countersunk washer and 1/4-20 Flat Head Screw (with thread lock) provided. Tighten screw with 7/16" wrench or socket.

Step 8: Insert arm stud into slide block in track assembly. Secure by pushing in on the retainer clip that extends from the slide block in the track, until it is flush with the slide block (see illustration below).

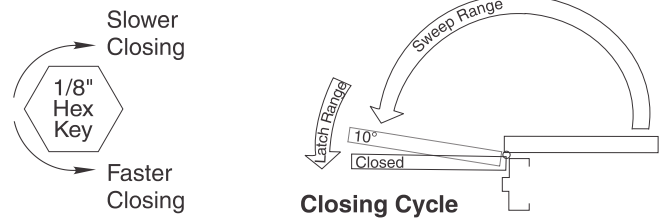


Step 9: Adjust closing power of unit (See Fig. 1) - Using a 1/8" allen wrench, turn the power adjustment shaft clockwise to increase door closing power. Door control is shipped set at midpoint of power setting. Maximum closing power can be achieved with 8 (360°) clockwise turns of the power adjustment screw.

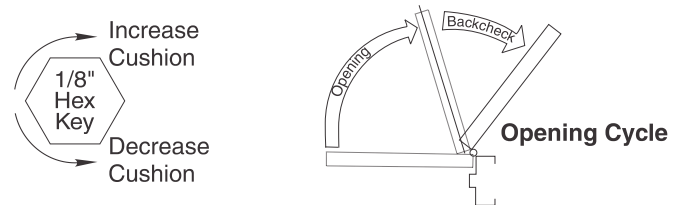


Step 10: Adjust Hydraulic valves using a 1/8" hex wrench to obtain proper door closing speeds. See following illustrations. Refer to Table 1 below for recommended minimum opening / closing times per ANSI/BHMA A156.19.

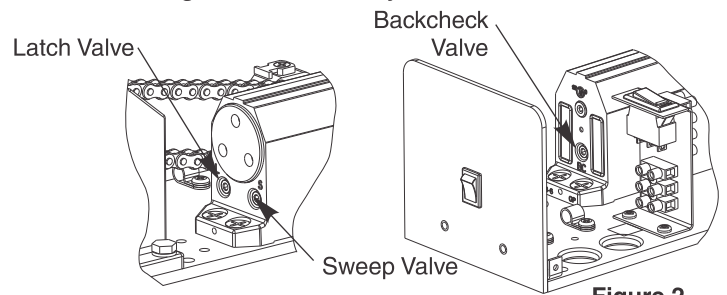
Closing Cycle – Make adjustments, as necessary, to the Sweep Speed "S" valve and Latch Speed "L" valve. See Fig. 2 below for location of valves. Turn valves clockwise to reduce speed, counter clockwise to increase speed.



Opening Cycle – Adjust Backcheck, "B" valve, as necessary, for hydraulic resistance to door opening in the backcheck range. See illustration in Fig. 2 for location of valve.



NOTE: Too much Backcheck, "B" valve, can affect the operation of the units pump, preventing units from fully opening the door. This valve may require fine tuning after all other adjustments have been made.



Note: A.D.A. requires that from an open position of 70°, the door will take at least 3 seconds to move to a point 3" (75mm) from the latched position, measured at the leading edge of the door.

Step 11: Make wiring connections using Wiring Instructions on Page 7.

Table 1 - Minimum Opening / Closing Times for ANSI/BHMA A156.19

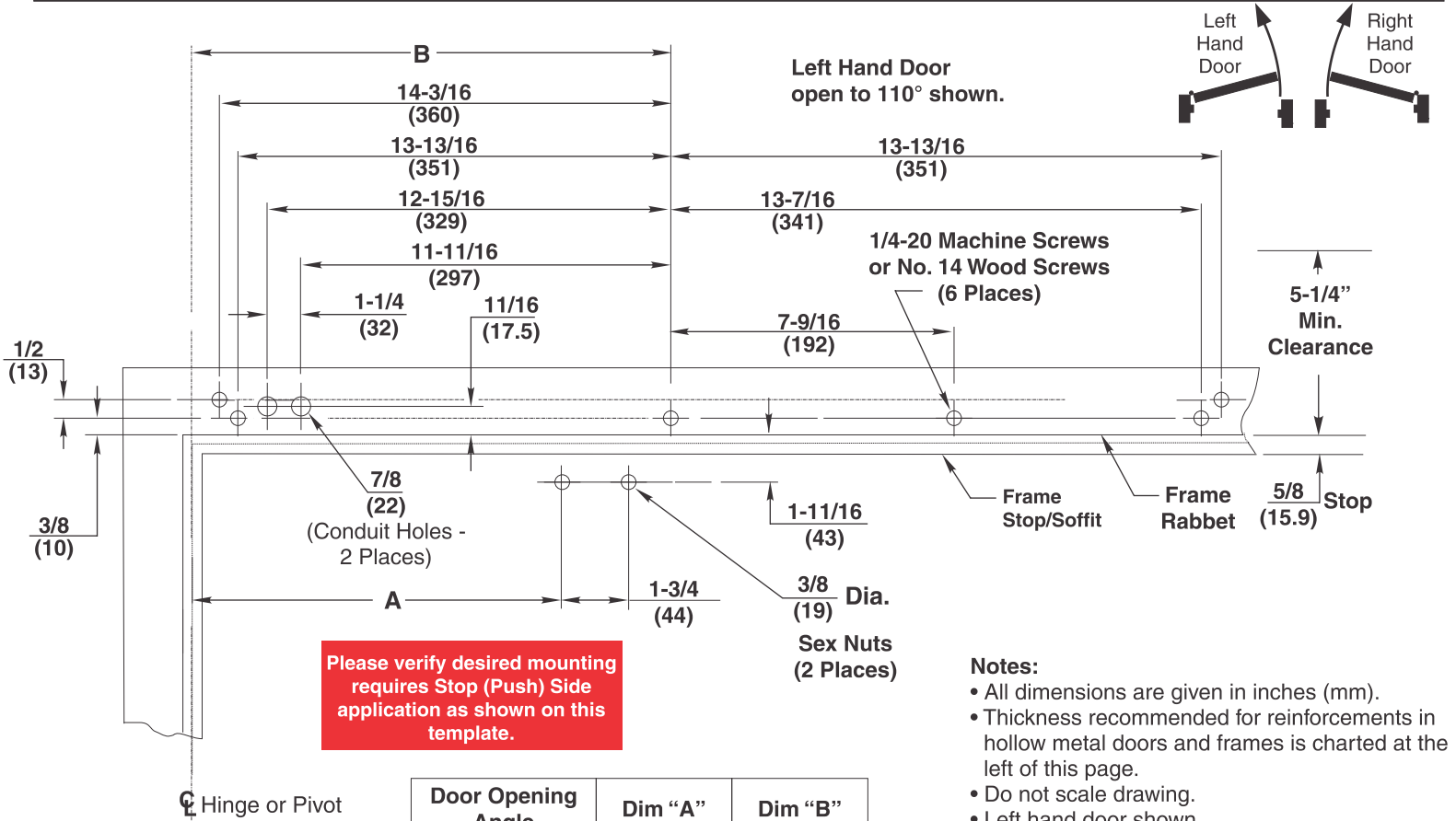
Door Leaf Width - Inches (mm)	Door Weight in Pounds (kg)				
	100 (45.4)	125 (56.7)	150 (68.0)	175 (79.4)	200 (90.7)
30 (762)	3.0	3.0	3.0	3.0	3.5
36 (914)	3.0	3.5	3.5	4.0	4.0
42 (1067)	3.5	4.0	4.0	4.5	4.5
48 (1219)	4.0	4.5	4.5	5.0	5.5

Matrix values are in seconds.

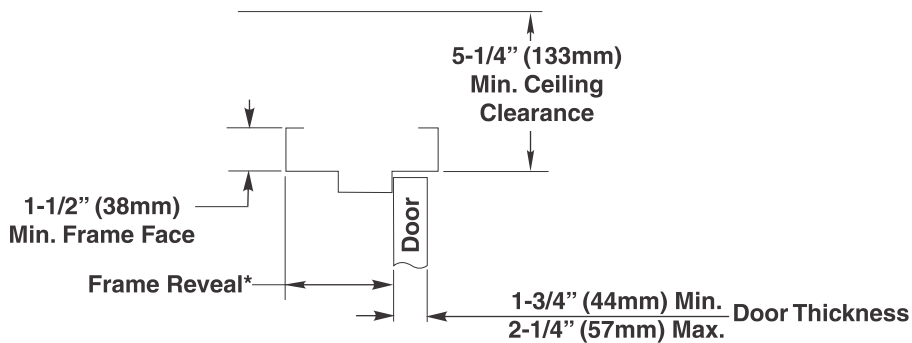
Backcheck - adjust the backcheck valve to have a minimum opening time to backcheck or 80 degrees (whichever comes first) based on Table 1.

Closing Time - adjust Latch and Sweep valves to have a minimum closing time from 90 degrees to Latch Check or 10 degrees (whichever comes first) based on Table 1.

2. Stop (Push) Side Mounting Instructions



Door Opening Angle	Dim "A"	Dim "B"
Up to 110°	12 (305)	15-3/4 (400)
111° to 170°	9-1/2 (241)	13-1/4 (337)



*For frame reveals less than 3" (76mm) the arm adjusting rod can be field cut to a length of 9-1/2" (241mm) measured from centerline of connecting link bushing assembly.

Note: Door must be visible by person operating activation switch(es)

2A. Installation Sequence

Step 1: Determine hand of door from illustration on upper right of this page.

Step 2: Using template above locate and prepare holes in the frame & door:

Frame

A. Prepare **six (6)** holes for 1/4-20 machine screws or No. 14 x 2-3/4" (70mm) wood screws. Blind rivet nuts (by others) are suggested for unreinforced hollow metal frames or for aluminum frames.

B. **Concealed Wired Units Only:** Two (2) 7/8" (22mm) diameter holes for conduit, for power input and for switch/sensor wires.

NOTE: On new construction these holes will generally be drilled by the frame supplier at their shop or at the time the frame is installed in the wall.

Door

C. Prepare **two (2)** holes for 3/8" diameter sex nuts. Standard units are supplied with sex nuts and screws for 1-3/4" (44mm) thick door. Sex nuts and screws for other door thicknesses are available to order.

Step 3: Remove cover from the unit and set cover & cover screws aside.

Step 4: Mount unit to door frame. Select A or B below.

A. **Concealed Wired Units Only:** Connect conduit to frame side of backplate. Fasten unit to door frame (six screws).

B. **Surface Wired Units Only:** Fasten unit to door frame (six screws). Mount conduit bracket (found in screw pack) to unit backplate with two screws provided. Connect wiring conduit to bracket.

2A. Installation Sequence Continued

Step 5: Install main arm onto pinion shaft of unit at a 90° angle to the door frame. Align arm mark "S" with the flat corner of the pinion shaft square. (See Fig. 3 below.)

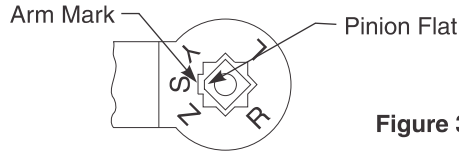


Figure 3

Step 6: Secure main arm to pinion with 1/4-20 Flange Head Screw provided. Tighten screw with 7/16" wrench or socket.

Step 7: Mount arm shoe to door using 2 1/4-20 screws & sex nuts provided with screw pack.

Step 8: PRELOAD ARM (See Fig. 4, below): Remove 1/4-20 hex head screw on adjusting rod and insert adjusting rod into arm slide. Reinstall 1/4-20 screw and leave loose. Rotate main arm in direction away from the hinge edge until the adjusting rod and arm slide are perpendicular (at a 90° angle) to the door frame. Tighten the 1/4-20 hex head screw on the adjusting rod to secure arm in this new position.

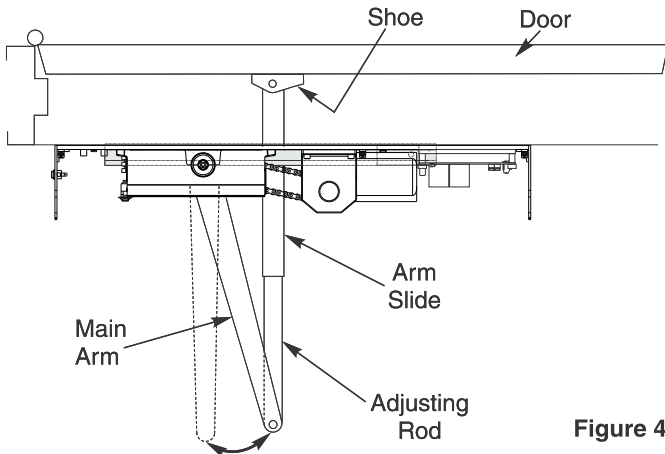


Figure 4

Step 9: Adjust closing power of unit (See Fig. 5) - Using a 1/8" allen wrench, turn the power adjustment shaft clockwise to increase door closing power. Door control is shipped set at midpoint of power setting. Maximum closing power can be achieved with 8 (360°) clockwise turns of the power adjustment screw.

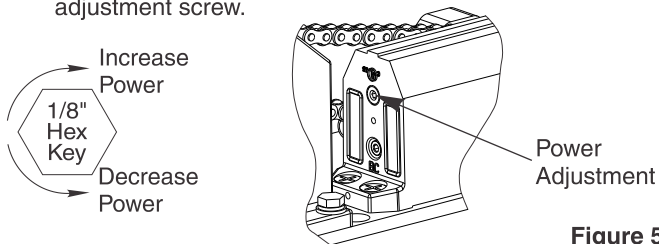
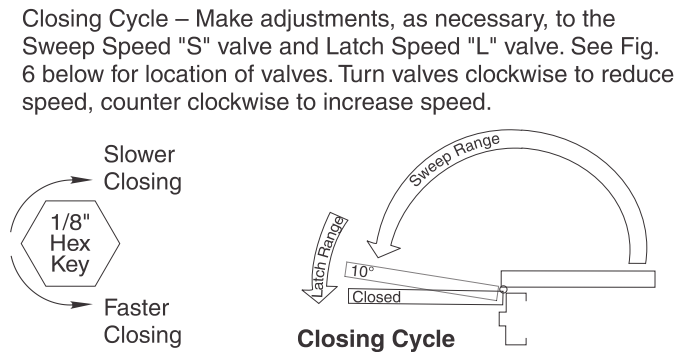


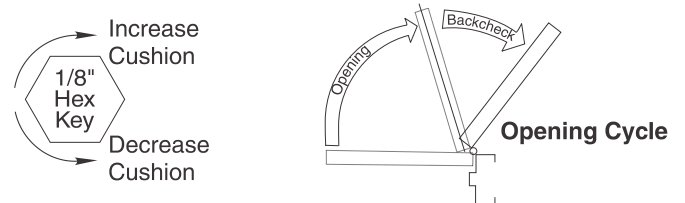
Figure 5

Step 10: Adjust Hydraulic valves using a 1/8" hex wrench to obtain proper door closing speeds. See following illustrations. Refer to Table 1 on page 5 for recommended minimum opening / closing times per ANSI/BHMA A156.19.



Closing Cycle

Opening Cycle – Adjust Backcheck, "B" valve, as necessary, for hydraulic resistance to door opening in the backcheck range. See illustration at bottom of this page for location of valve.



Opening Cycle

NOTE: Too much Backcheck, "B" valve, can affect the operation of the units pump, preventing units from fully opening the door. This valve may require fine tuning after all other adjustments have been made.

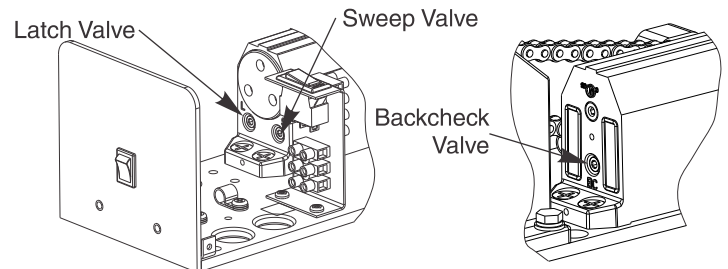


Figure 8

Note: A.D.A. requires that from an open position of 70°, the door will take at least 3 seconds to move to a point 3" (75mm) from the latched position, measured at the leading edge of the door.

Step 11: Make wiring connections using Wiring Instructions on Page below and on Page 8..

3. Electrical Connections and Final Setup

Step 1: Confirm all mechanical adjustments have been made and wiring connected per Page 8.

Step 2: Turn on facility's main circuit breaker.

Step 3: Turn power to unit on at the Unit Power Switch and turn the Breaker Switch to "RESET".

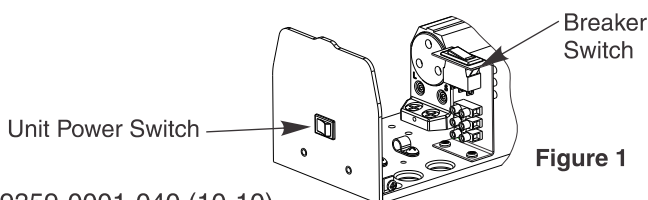


Figure 1

Step 4: Using a short jumper cable, jump terminals 1 and 2, see Fig. 2 below, to activate unit. When door reaches 20°, switch Breaker Switch to "OFF" position cutting power to the unit. Allow door to fully close (door may be manually pulled closed).

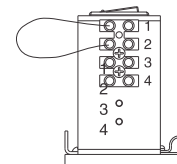


Figure 2

(Continue to next page.)

3. Electrical Connections and Final Setup Continued

Step 5: Adjust Closing Position Magnet (See Fig. 3) - With door in the closed position, use finger to slide Closed Position Magnet so it aligns directly with the Reed Switch.

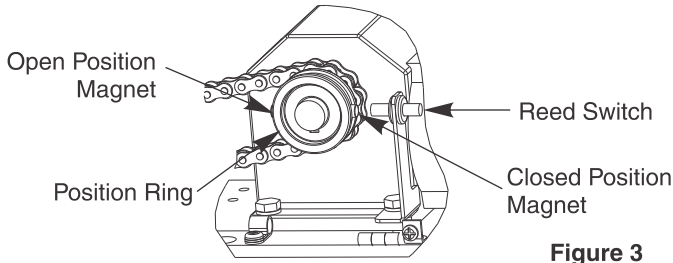


Figure 3

Step 6: Adjust Open Position Magnet - Use fingers to slide Open Position Magnet 180° from Open Position Magnet.

Step 7: Flip Breaker Switch to “RESET” to turn power on. Jump terminals 1 and 2 (as shown in Fig. 2) to activate door. Note open position of the door. Allow door to close.

Step 8: Use finger to readjust the Open Position Magnet to desired door open position.

Step 9: Repeat Step 7 to verify door open position.

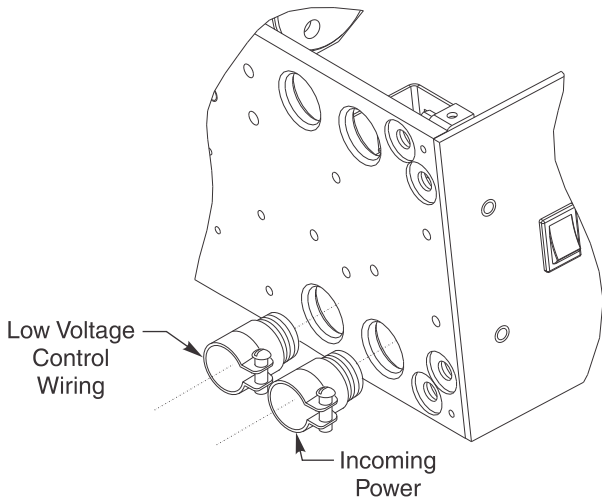
Step 10: Make all connections necessary for any accessories to the 4-position Accessory Terminal (see Pages 9 - 118).

Step 11: Make necessary adjustments to inverter (see Page 9). Replace cover and cover screws.

Input Power Configurations

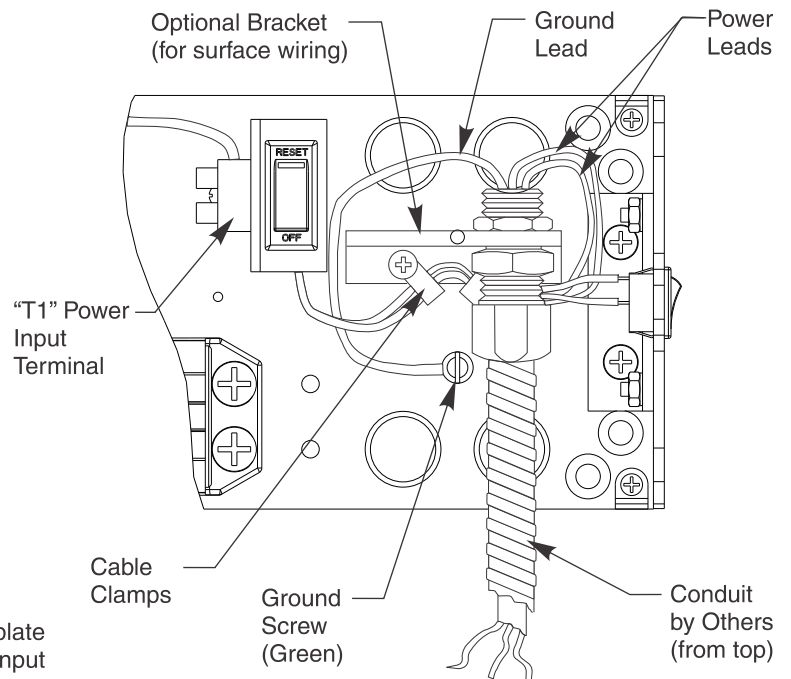
CONCEALED WIRING

Thread conduit fitting(s) into backplate as shown. A second conduit fitting is required for low voltage control wiring. CHECK LOCAL CODES. Pull conduit out of header and attach to conduit fittings before mounting Operator to door frame. Attach incoming ground wire to backplate with ground screw as illustrated in “Surface Wiring” illustration to the Right.



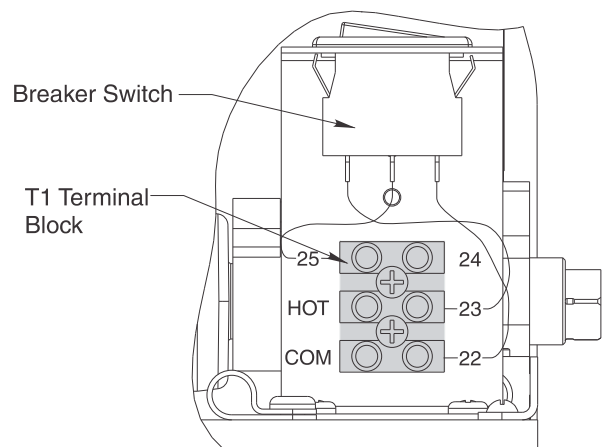
SURFACE WIRING

An optional bracket is provided for use with surface wiring. Remove the two cable clamp screws and slip the bracket under the cable clamps. Push the cable clamp screw through the bracket holes and tighten. ½” conduit fittings can now be installed on the bracket. Attach incoming ground wire to backplate with ground screw as illustrated below.

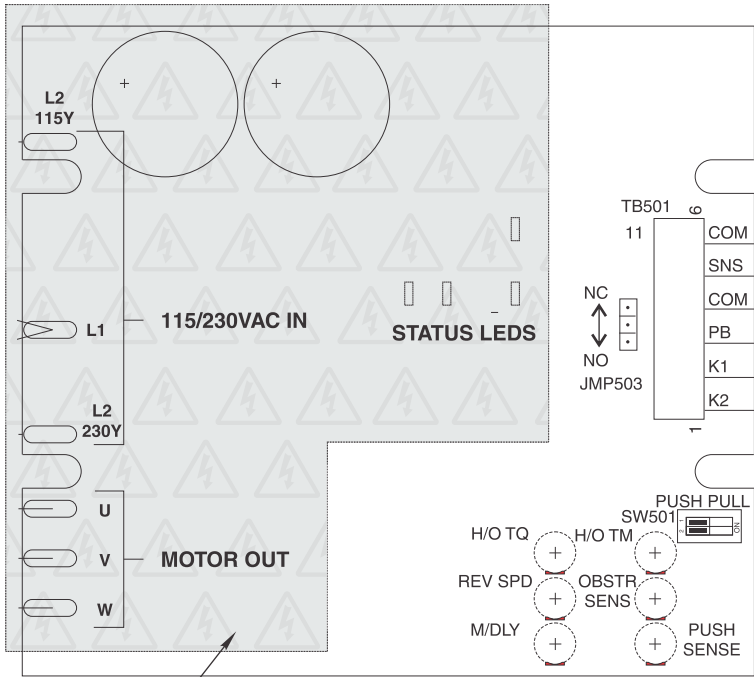


Ground Wire Connection – Ground wire must be secured to backplate under head of (green) ground screw nearest to “T1” Power Input Terminal. Screw labeled “GND”.

Terminal	Description
COM	Common power lead
HOT	Hot power lead
25	Circuit Breaker
24	Switch
23	Circuit Breaker
22	Common connection to Circuit Breaker / Inverter

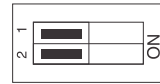


Inverter Details



POT	DESCRIPTION	FUNCTION
M/DLY	Motor Delay on Opening	CW - Increase CCW - Decrease
OBSTR SENS	Obstruction Detection on Open	CW - Increase CCW - Decrease
REV SPD	Motor Reversing Speed	CW - Increase CCW - Decrease
H/O TM	Hold Open Time (5 - 30 Seconds)	CW - Increase CCW - Decrease
H/O TQ	Motor Torque at Hold Open Position	CW - Increase CCW - Decrease
PUSH SENSE	Push Recognition Sensitivity	CW - Increase CCW - Decrease

Dip Switch Settings



1. Door Mounting - ON - pull
OFF - push
2. Push Recognition - ON - active
OFF - inactive



WARNING
Electric
Shock Risk

WARNING

120 HIGH VOLT POTENTIAL PRESENT. MAKE SURE POWER IS TURNED OFF DURING INSTALLATION PROCEDURE.

(Adjustments made in the shaded area should be performed by Authorized Factory Personnel.)

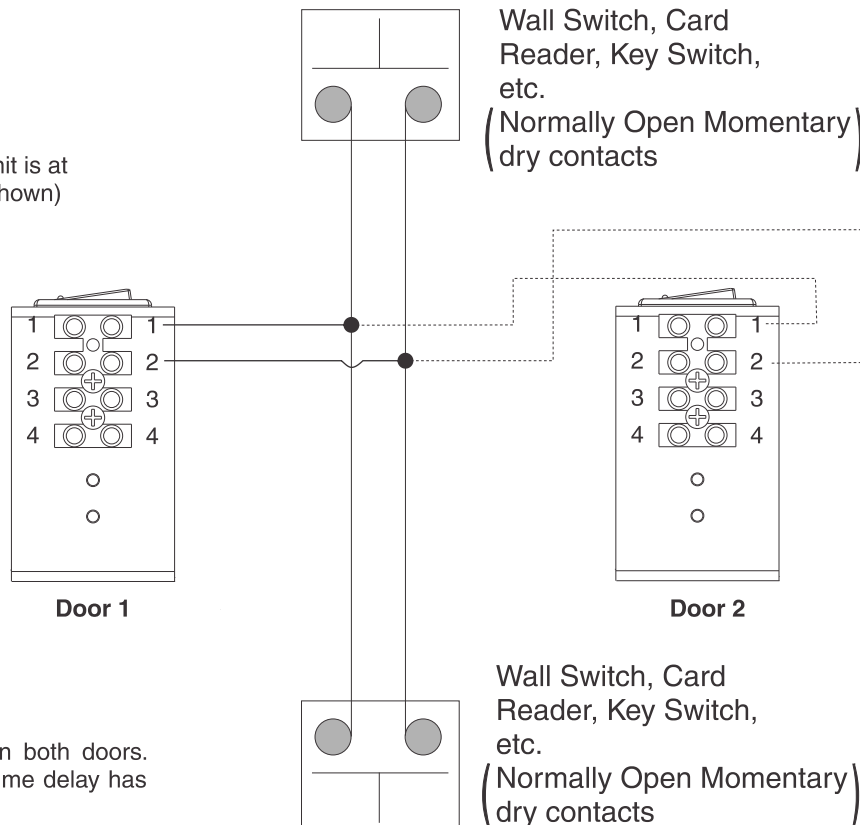
Inverter Adjustments:

- Based on function adjustment desired, use table above to determine which POT is to be adjusted.

Standard Function with Switches

Notes:

1. Power input to Door Operator Unit is at "T1" Power Input Terminal (not shown) 120VAC 60Hz.



Operation:

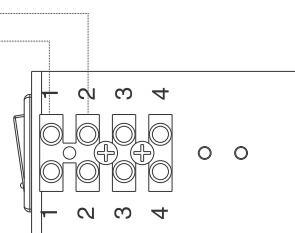
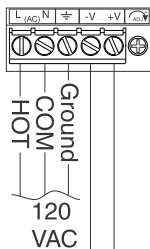
- Doors are normally closed.
- Activating either switch will open both doors. Door will close after hold open time delay has elapsed.

Radio Frequency Function Option

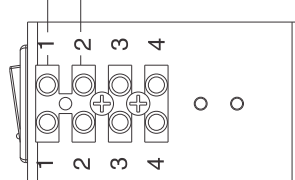
Notes:

1. Power input to Door Operator Unit is at "T1" Power Input Terminal (not shown) 120VAC 60Hz.
2. Radio Frequency Feature can be purchased as a separate kit.

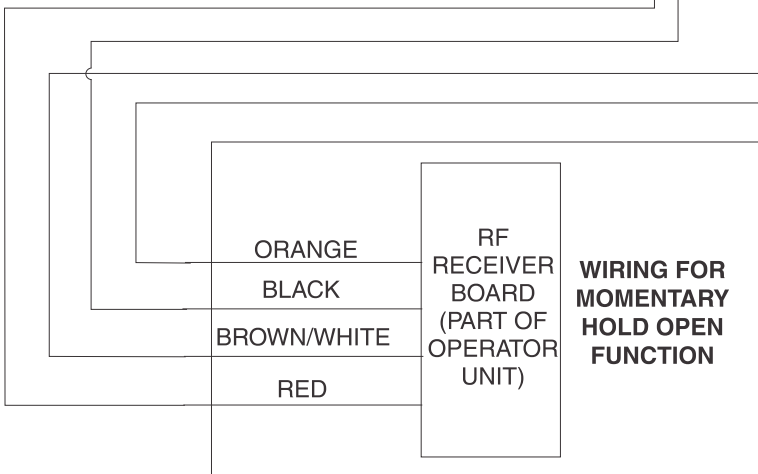
Optional 1.1A 24V Power Supply



Optional Door 2



Door 1



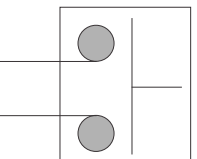
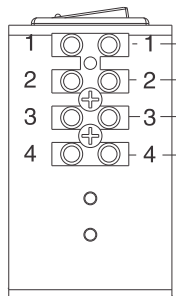
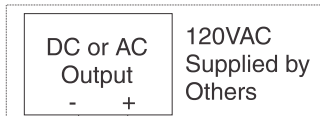
Operation:

- Door is normally closed.
- Activating wireless switch or hand held wireless transmitter will open the door.
- Door will close after hold open delay elapses.

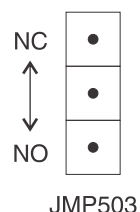
Fail Secure / Fail Safe Electric Strike Wiring

Notes:

1. Power input to Door Operator Unit is at "T1" Power Input Terminal (not shown) 120VAC 60Hz.
2. Unit's Relay Rating for strike interface: 30VDC @ 1A or 125VAC @ .5A



Wall Switch, Card Reader, Key Switch, etc.
(Normally Open Momentary) dry contacts



Jumper Settings

Place jumper to upper position for normally closed operation or to lower position for normally open operation.



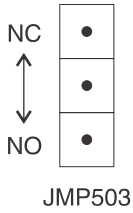
Operation:

- Door is normally closed and latched.
- Activating switch will unlock the electric strike and the door will automatically open. Door will close after hold open time delay has elapsed.
- **For Fail Secure Strike** - The door will remain **locked** during power failure.
- **For Fail Safe Strike** - The door will remain **unlocked** during power failure.

Fail Safe Electromagnetic Lock 24VDC Wiring

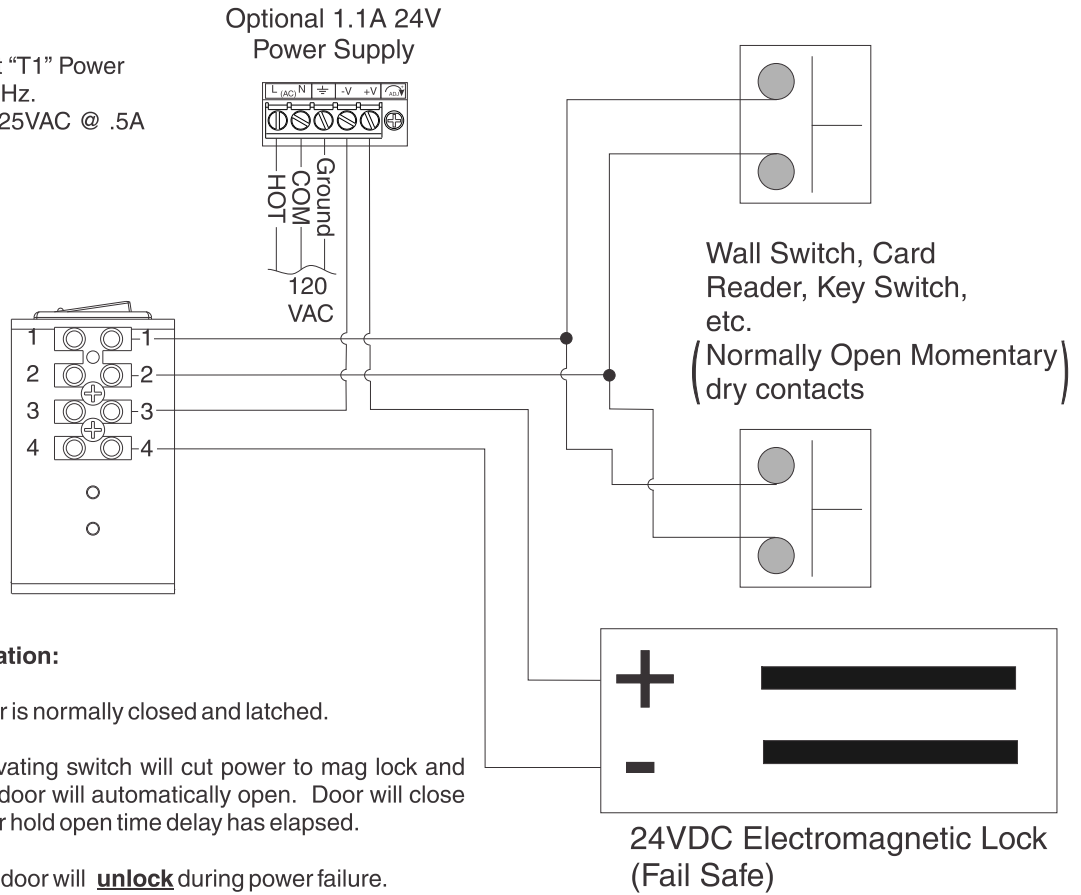
Notes:

1. Power input to Door Operator Unit is at "T1" Power Input Terminal (not shown) 120VAC 60Hz.
2. Unit's Relay Rating: 30VDC @ 1A or 125VAC @ .5A



Jumper Settings

Place jumper to upper position for normally closed operation or to lower position for normally open operation.



Operation:

- Door is normally closed and latched.
- Activating switch will cut power to mag lock and the door will automatically open. Door will close after hold open time delay has elapsed.
- The door will **unlock** during power failure.

Troubleshooting

Fault	Possible reasons why	Remedies/Explanations
The door does not open - The motor does not start	Control switch is set to OFF position	Change the setting of the ON/OFF switch
	Circuit breaker is set to OFF position	Reset circuit breaker to the ON position
	Electrical power is missing	Check the electrical power switch
	Activation unit does not function	Jump activation input
- The motor starts	Motor is driving in wrong direction	Flip Door Mounting Dip Switch to other direction
	Something jammed beneath the door	Remove object
	Arm has come loose	Re-time and re-install arm.
The door does not close	Spring tension too low	Increase spring tension per preceding instructions
	Arm has come loose	Re-time and re-install arm.
	Something jammed beneath the door	Remove object

Arrow Lock & Door Hardware

P.O. Box 3075
Salem, VA 24153

Phone USA: 800-839-3157 • Fax 800-421-6615



ASSA ABLOY

Arrow Lock® is a registered trademark of ASSA ABLOY. Copyright © 2010 Arrow Lock, Inc., an ASSA ABLOY Group company. All rights reserved. Reproduction in whole or in part without the express written permission of Arrow Lock is prohibited.

This page
intentionally left
blank.