

# *Life Safety and Security Door Hardware*



**ACCESS CONTROL**

# STAND ALONE KEYPADS

## DTX-2100 Series

### Single Door Stand Alone Keypad

The DTX-2100 keypad uses hardened backlit keys and the DTX-2110 uses metal Braille alpha-numeric keys to ensure long-term durability and high-quality performance. DTX-2100/2110 keypads are designed for both indoor and outdoor surface/flush mount applications. The DTX-2120 mounts directly to mullion door frames or most flat surfaces with no backbox required. The convenience of the built-in doorbell feature on the DTX-2120 with the sleek design make it an easy choice for entrance installations. The electronics for each keypad are conformal coated in order to provide excellent protection from the elements.



DTX-2100  
(Backlit  
Keypad)



DTX-2110  
(Durable Metal  
Keypad - with  
braille)



DTX-2120  
(Mullion Mount  
Backlit Keypad)

### Benefits

- Affordable single-door security application in new or existing structures
- Dependable service and security in most environments
- Easy installation
- Multi-user capabilities
- Controls unauthorized access/egress
- Flexible programming capable

### Features

#### DTX-2100

- 500 users
- Single gang flush mount design
- Backlit hardened keys
- Polycarbonate trim
- Conformal coating
- Light/Medium Duty
- Key press feedback via sounder and yellow LED
- Built-in assignable sounder
- Bi-color Red/Green LED indicates relay status
- Indoor/outdoor use
- Keypad programmable
- DTX-4000 Hub Manager Compatible
- 3 year warranty
- UL 294 Listed

#### DTX-2110

- 500 users
- Single gang flush mount design
- Metal braille alpha-numeric keys
- Brushed metal trim
- Conformal coating
- Harsh conditions/Heavy duty
- Key press feedback via sounder and yellow LED
- Built-in assignable sounder
- Bi-color Red/Green LED indicates relay status
- Indoor/outdoor use
- Keypad programmable
- DTX-4000 Hub Manager Compatible
- 3 year warranty
- UL 294 Listed

#### DTX-2120

- 120 users
- Surface mount - fits on door mullion
- Backlit hardened keys
- Aluminum enclosure
- Conformal coating
- Light/Medium duty
- Door position monitoring
- Door ajar, forced door, alarm shunt outputs
- Sounder
- Indoor/outdoor use
- Door bell relay
- 3 year warranty
- UL 294 Listed

Features Continued

**DTX-2100**

- Relay Contact Rating 2A @ 30VAC/DC (Main & Aux.)
- Door Position Inputs
- Request to Exit Input
- Alarm Shunt
- Temperature tolerance: -20F to 130F

**DTX-2110**

- Relay Contact Rating 2A @ 30VAC/DC (Main & Aux.)
- Door Position Inputs
- Request to Exit Input
- Alarm Shunt
- Temperature tolerance: -20F to 130F

**DTX-2120**

- 3 - 1 amp SPDT relays in controller
- Door Position Inputs
- Request to Exit Input
- Alarm Shunt
- Temperature tolerance: -20F to 130F

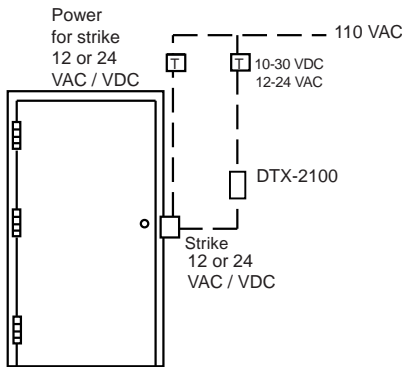
Technical Information

- 10-30 VDC; 12-24 VAC auto-adjusting
- 30 mA
- Power Supply 90-800

- Transformers - Hard Wired  
Detex P/N - PP-5152-2 (24 VAC)  
PP-5152-3 (12 VAC)
- Transformers - Plug In  
TFMR12 (12VDC)  
(Contact Factory for additional Power Supply Options)

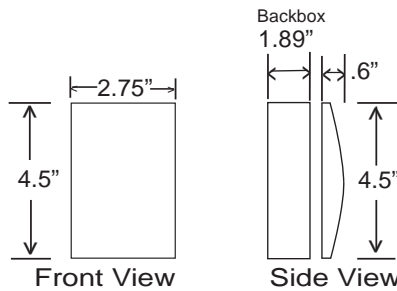
- Electric strike or other locking device powered at 12 or 24 VAC up to 2 amps

Riser Diagram

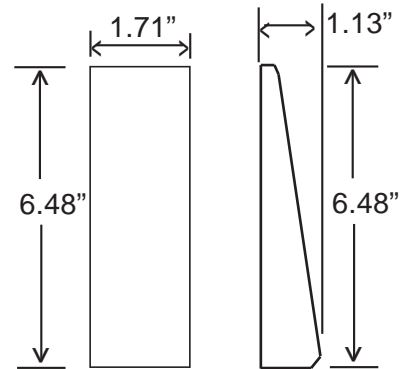


Dimensions

**DTX-2100 and DTX-2110**



**DTX-2120**



Listings and Approvals



Detex Limited Warranty  
3 Year Limited Manufacturer's Warranty



Detex Corporation  
302 Detex Drive  
New Braunfels, Texas 78130-3045 USA  
PH. (830) 629-2900  
(800) 729-3839  
FAX (800) 653-3839  
<http://www.detex.com>  
USA Sales:  
[marketing@detex.com](mailto:marketing@detex.com)  
International Sales:  
[export@detex.com](mailto:export@detex.com)



# Stand-Alone Proximity Reader/Keypad

## DTX-2300 Series

### Single Door Stand Alone Proximity Reader/Keypad

The DTX-2300 is a stand alone single door access control with a proximity reader and keypad. The DTX-2300, when used on it's own, provides cost effective standard access control functionality with the use of it's two relays and two inputs for request to exit and door position. The proximity reader is capable of being mounted up to a maximum of 10 feet away from the DTX-2300 (see image below).



Reader/Keypad



Keypad

Reader

Remove proximity reader from keypad to mount reader and wire up to 10 feet away from DTX-2300 keypad.

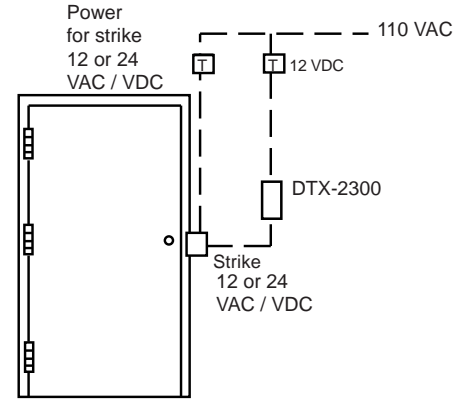
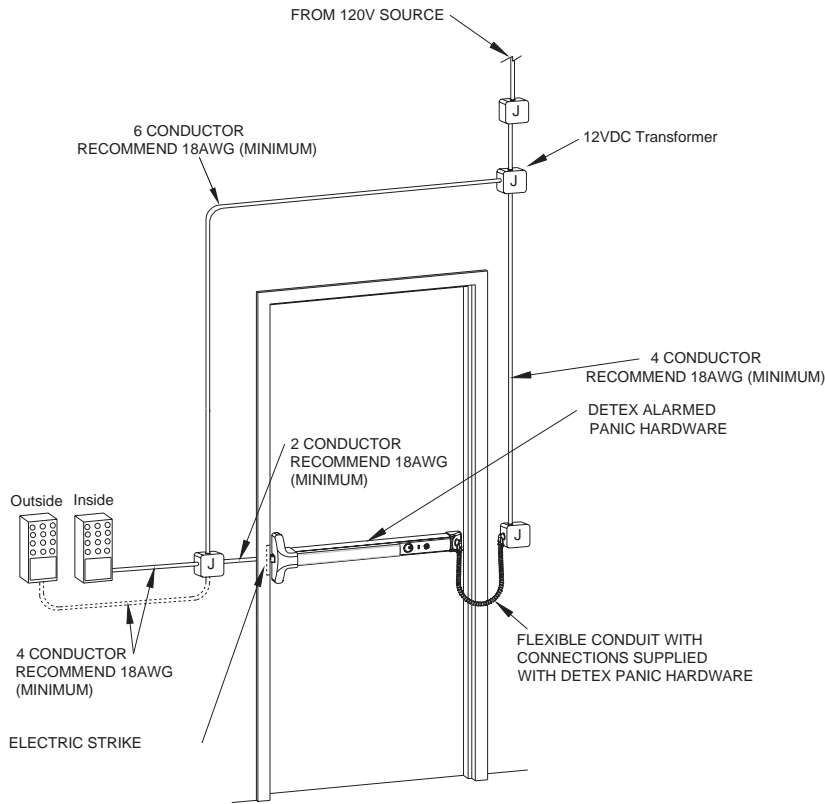
#### Features

- Proximity reader and keypad
- Bi-color LED to indicate operation
- Weather resistant design
- 2000 Users
- HID 26 - 40 bit format card compatibility
- Weigand compatible
- HID Corporate 1000 compatible
- Remote proximity reader mounting and glass mount option
- No audit trail available in stand alone unit
- 3 year warranty
- UL 294 Listed

#### Technical Information

- Dimensions: 2.75" W x 5.25" H x 1.38" D
- Operating voltage: 12 VDC only
- Temperature tolerance: -31F to 150F
- Main relay: Form C 2 amp SPDT controls lock
- Auxiliary Relay: Form C 1 amp SPD
- Request to Exit Input
- Indoor / outdoor use

# Riser Diagram



## Listings and Approvals

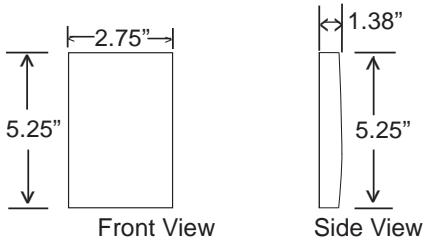


UL 294 Listed

Detex Limited Warranty  
 3 Year Limited Manufacturer's  
 Warranty

## Dimensions

### DTX-2300 Stand Alone



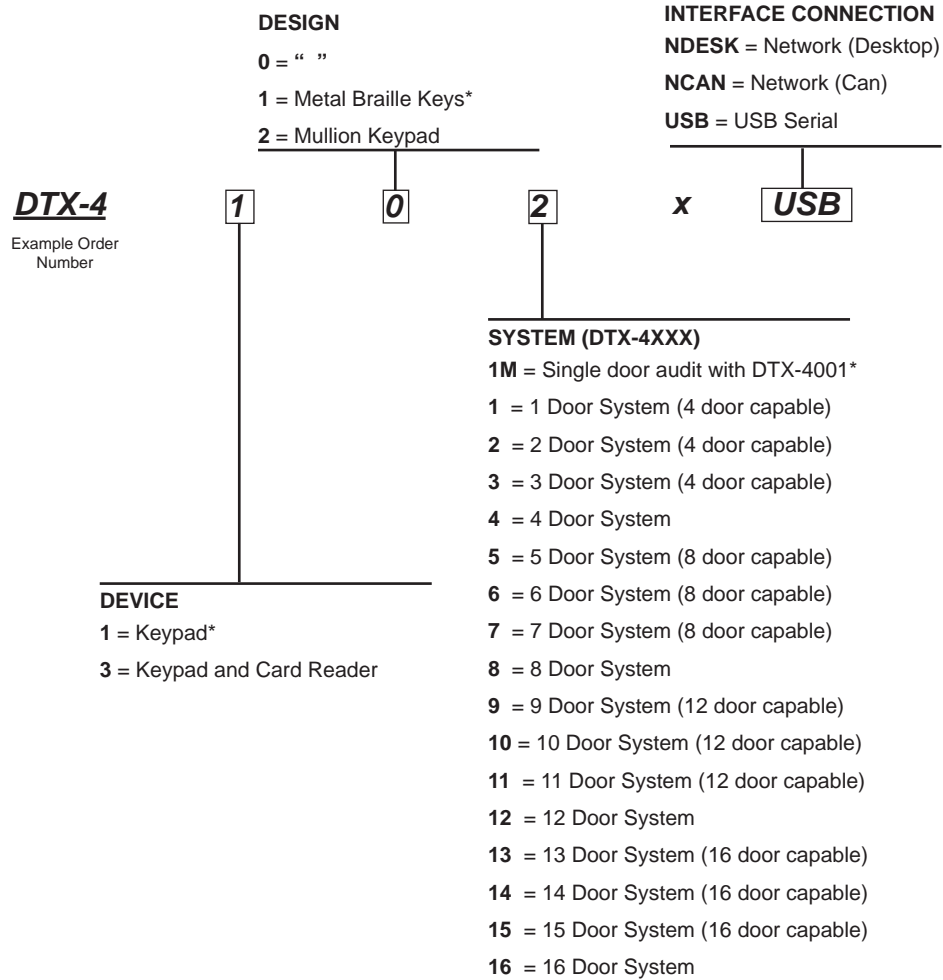
Cancer & Reproductive Harm - [www.detex.com/prop65](http://www.detex.com/prop65)



Detex Corporation  
 302 Detex Drive  
 New Braunfels, Texas 78130-3045 USA  
 PH. (830) 629-2900  
 (800) 729-3839  
 FAX (800) 653-3839  
<http://www.detex.com>  
 USA Sales:  
[marketing@detex.com](mailto:marketing@detex.com)  
 International Sales:  
[export@detex.com](mailto:export@detex.com)

# DTX<sup>®</sup>-4000 SERIES ACCESS CONTROL

## HOW TO ORDER



\* Default if left blank

# ACCESS CONTROL SYSTEM

## DTX-4100 Series

### Multi-Door Access System with Keypad and USB or Network

The Multi-Door access system with software is “access simplified”. The system is powerful and easy to install and program for small to mid-sized applications. It provides a secure and trusted access control system that uses proven hardware architecture. System management from a PC can be either over a LAN/WAN connection or through a RS485 serial connection. All individual door access decisions and transaction events are stored at the module. Programming is done via LAN, WAN, or RS-485, using the Hub Manager Professional Software. System expansion is made simple with the modular design of the two available configurations (DTX-4004 or DTX-4001). The DTX-4004 provides the simplest expansion of one to four doors per cabinet when the system needs to be installed in a central location. The DTX-4001 configuration (single door control system) is ideal for applications where the doors are far apart and/or the control is located at the door.



**Example shown:  
DTX-4103xUSB**

#### Benefits

- Affordable multi-door security application in new or existing structures
- Fast and reliable communications
- Dependable service and security in all environments
- Multi-user capabilities
- Flexible programming capable
- Easy installation
- Controls unauthorized access/ egress

#### Features

- **DTX-410X (X denotes # of doors)**
- 2000 users per door
- Network up to 16 doors
- 2000 transaction storage per door
- First-In auto unlock
- 8 time zones per door
- 15 Single date holidays per door
- 15 Block date holidays per door
- Error Lockout
- Supports adjustable Daylight Savings Time
- Programmable with Hub Manager Professional Software 7.2 or higher
- Serial connection made with USB to 485 converter
- Single gang flush mount design
- Keypads: Backlit hardened keys, durable metal (with braille) keys or mullion mount backlit keys
- Polycarbonate trim
- Conformal coating
- Key press feedback via sounder and yellow LED
- Built-in assignable sounder
- Bi-color Red/Green LED indicates relay status
- Indoor/outdoor use
- 3 year warranty
- UL 294 Listed

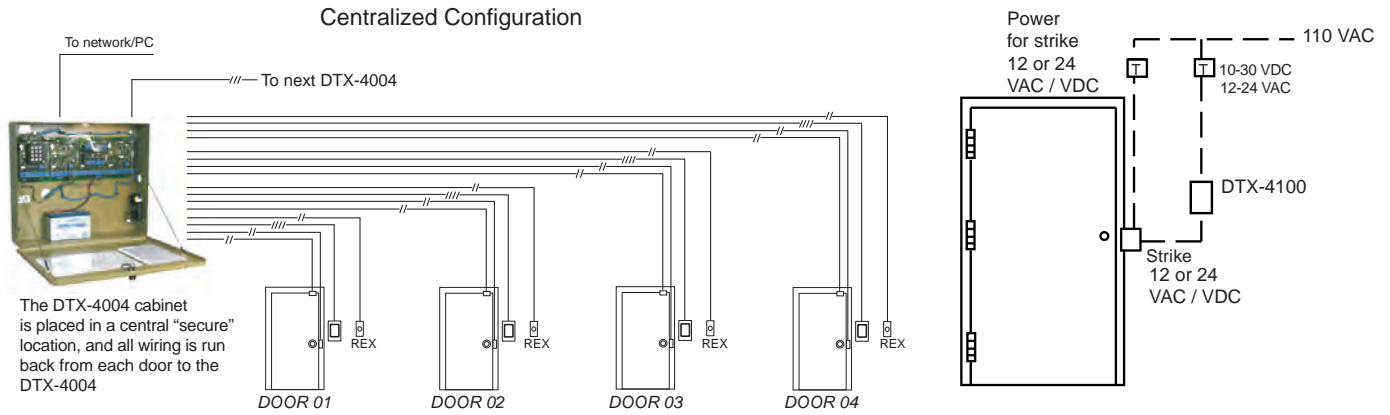
#### Technical Information

- Relay Contact Rating for DTX-4100 or DTX-4110: 2A@ 30VAC/DC (Main & Aux.) and Relay Contact Rating for DTX-4120: 3 - 1 amp SPDT relays in controller
- Request to Exit Input
- Independent Outputs
- Configurable Outputs
- Wiegand Outputs

Technical Information Continued

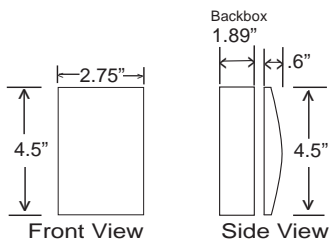
- Operating Voltage: 16.5 VAC  
40 VA Class 2 Transformer  
(Plug-In Transformer included)
- Current Requirements: 100mA (backplane & 1 module) add 40mA for each module / DTX-4004 - Current Requirements: 120mA
- Alarm shunt, door ajar, forced door outputs: 12-24 VAC/DC 1mA each
- Temperature tolerance: -20F to 130F
- DTX-4004 / DTX-4001: Indoor use only

Riser Diagram

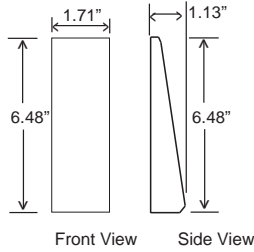


Dimensions

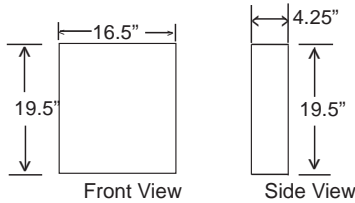
**DTX-4100 and DTX-4110**



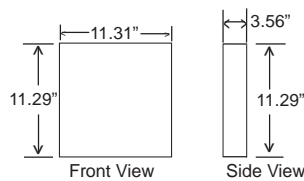
**DTX-4120**



**DTX-4004**



**DTX-4001**



Listings and Approvals



UL 294 Listed

Detex Limited Warranty  
3 Year Limited Manufacturer's  
Warranty



Detex Corporation  
302 Detex Drive  
New Braunfels, Texas 78130-3045 USA  
PH. (830) 629-2900  
(800) 729-3839  
FAX (800) 653-3839  
http://www.detex.com  
USA Sales:  
marketing@detex.com  
International Sales:  
export@detex.com

Cancer & Reproductive Harm - www.detex.com/prop65



# ACCESS CONTROL SYSTEM

## DTX-4300 Series

### Multi-Door Access System with Proximity Reader/Keypad and USB or Network

The DTX-4300 Series is a fully integrated PC managed multi-door access system with a proximity reader and keypad. The DTX-4300, when used on its own, provides standard access control functionality with the use of its two relays and two inputs for request to exit and door position, and enhanced system functionality when used with Hub Manager Professional software. The software allows the management of people and doors through easy to create reports and step by step wizard assisted expanded feature functionality. The software can communicate to the DTX-4300 either through a 485 connection, or on a LAN/WAN using the SEG-1 TCP/IP communication device. By utilizing the proximity reader and keypad together, a higher level of security is achieved by requiring both to grant access. The DTX-4300 can be directly mounted to a single gang electrical box or to most flat surfaces. The proximity reader is capable of being mounted up to a maximum of 10 feet away from the DTX-4300.



**Example shown:  
DTX-4302xUSB**

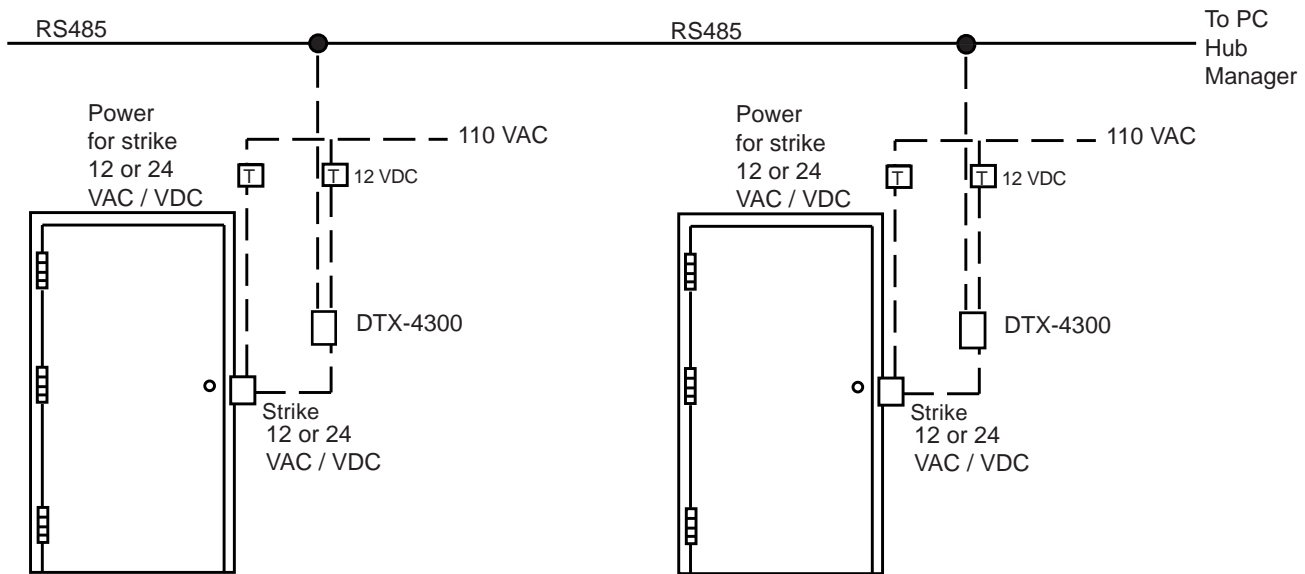
#### Features

- Integrated door control, proximity reader and keypad
- 2000 users
- 2000 event audit trail
- 32 doors per site (when managed with Hub Manager Professional)
- Bi-color LED to indicate operation
- Weather resistant design
- HID 26 - 40 bit format card compatibility
- Wiegand compatible
- HID Corporate 1000 compatible
- Fits over a single gang electrical box
- Communication via - SEG-1 (LAN/WAN) or USB to 485 converter
- Remote proximity reader mounting and glass mount option
- 3 year warranty
- UL 294 Listed

#### Technical Information

- Dimensions: 2.75" W x 5.25" H x 1.38" D
- Temperature tolerance: -31F to 150F
- Auxiliary Relay: Form C 1 amp SPDT
- Operating voltage: 12 VDC only
- Main relay: Form C 2 amp SPDT
- Request to Exit Input

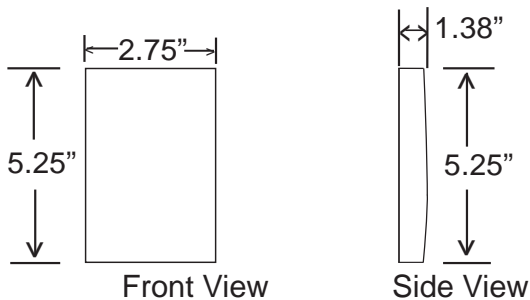
## Riser Diagram



The Access Control System located at the door, acts as the reader and the controller.  
The wire connections are made at each door.

## Dimensions

### DTX-4300 Series



## Listings and Approvals



UL 294 Listed

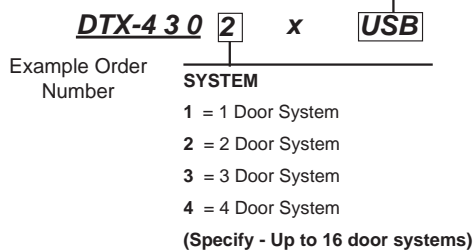
Detex Limited Warranty  
3 Year Limited Manufacturer's  
Warranty

## How to Order

### Interface Connection

N = Network

USB = USB Serial



*Where Trust is Built™*  
**DETEx**<sup>®</sup>  
*Life Safety and Security Door Hardware*

Detex Corporation  
302 Detex Drive  
New Braunfels, Texas 78130-3045 USA  
PH. (830) 629-2900  
(800) 729-3839  
FAX (800) 653-3839  
<http://www.detex.com>  
USA Sales:  
[marketing@detex.com](mailto:marketing@detex.com)  
International Sales:  
[export@detex.com](mailto:export@detex.com)

Cancer & Reproductive Harm - [www.detex.com/prop65](http://www.detex.com/prop65)

# Tailgate Detection System

## AT-5200 Series

The Detex AT-5200 Series Tailgate Detection System assures that only one individual enters a secured doorway for each authorized card read; compatible with most card reader technologies the AT-5200 is easy to retrofit. This unique and cost effective optical security system, which uses unique algorithms and infrared sensor beams to detect tailgating, is perfectly suited for areas requiring tighter security. The potential applications for the AT-5200 are unlimited, however typical applications include employee entrances, computer rooms, bank vaults, dorm entrances, and areas with restricted access. Its subtle design does not distract from interior aesthetics and it mounts easily on standard door frames.



### Benefits

- Adds additional security to a restricted area where unauthorized entry must be controlled
- Compatible with most access control systems and easily retrofits, providing enhanced security
- Encourages employees, students, visitors, etc. to maintain access control procedures
- Integrated door prop alarm for additional security
- High throughput easy entry or exit for authorized personnel
- ADA compliant
- Blends in with architectural styling

### Features

- Local control/annunciator; unauthorized access/egress is annunciated locally and with the access control system
- Spacer mounting kit standard, can be used as a raceway for wiring
- Field configurable for card in/card out or card in/free exit operation
- Key switch for local alarm shunt/override
- Alarm can be reset by a remote contact
- Adjustable access period
- Alarm can be reset through an on-board timer
- Remote annunciator plates fit in a single gang box
- Alarm status relays for remote annunciation
- Mounts on standard width door frame or wall
- Status indicator lights (Wait or Proceed)
- Tamper Switch

## Mechanical Options

- Spacer Mounting Kit (order separately)
- 1 gang Remote Annunciator Plate (included with AT-5200-R1)
- Mullion Mount Remote Annunciator plate (specify AT-5200-R2)

## Electrical Options

- MS-1039 Magnetic Door Contacts (optional)
- 80-800 Power Supply (12VDC option)
- Digital voice annunciator (specify AT-5600)

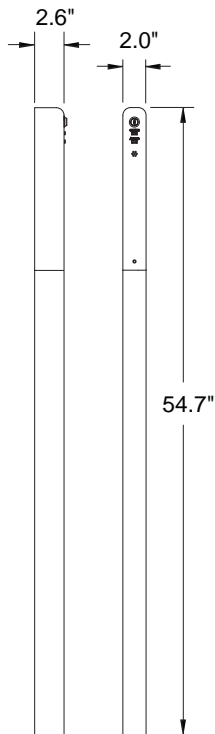
## Technical Information

- 12 VDC @ 500mA
- Direct mounting to doorframe or wall by using optional spacer mounting kit
- Alarm Sound Level - 70dB @ 10 inches

## Finishes

- Dark Bronze with IR Plexiglas cover

## Dimensions



## Listings and Approvals



Meets ADA Requirements

## Detex Limited Warranty

3 Year Limited Manufacturers Warranty

*Where Trust is Built™*  
**DETEX®**  
*Life Safety, Security and Security Assurance*

Detex Corporation  
302 Detex Drive  
New Braunfels, Texas 78130-3045 USA  
PH. (830) 629-2900  
(800) 729-3839  
FAX (800) 653-3839  
<http://www.detex.com>  
USA Sales:  
[marketing@detex.com](mailto:marketing@detex.com)  
International Sales:  
[export@detex.com](mailto:export@detex.com)

 Cancer & Reproductive Harm - [www.detex.com/prop65](http://www.detex.com/prop65)