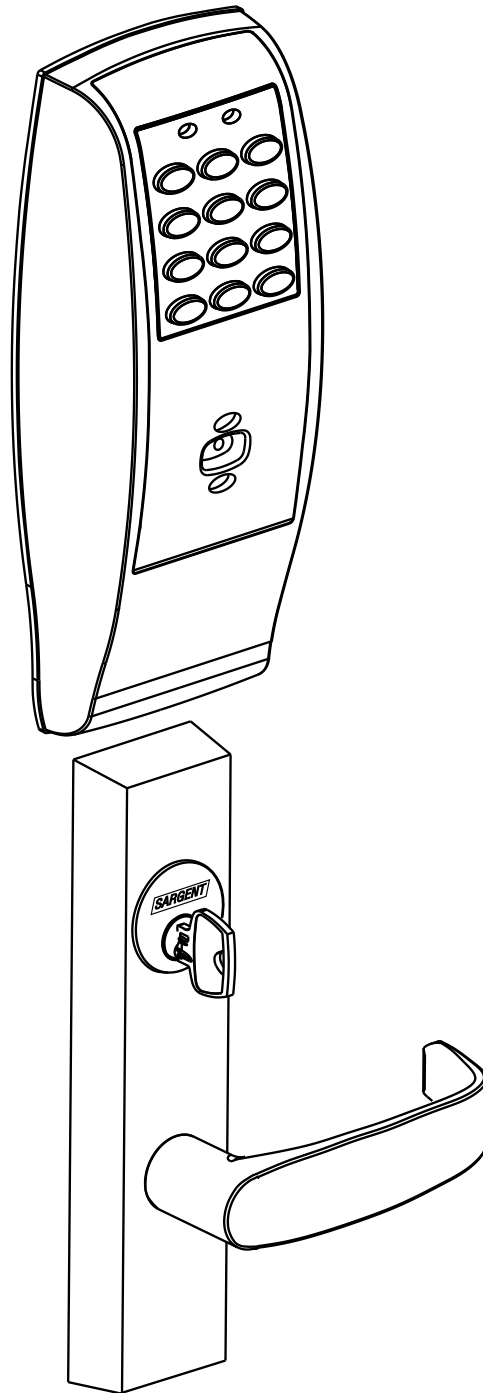

Installation Instructions For Profile Series v.G1 Exit Device



A7757B

Copyright © 2004, 2008, Sargent Manufacturing Company, an ASSA ABLOY Group company.
All rights reserved. Reproduction in whole or in part without the express written permission of
Sargent Manufacturing Company is prohibited.

FOR ASSISTANCE, CONTACT SARGENT AT 800-727-5477 or www.sargentlock.com

SARGENT
ASSA ABLOY

ASSA ABLOY, the global leader
in door opening solutions

Table of Contents

Page

1	Warning	
2	General Description	1
3	Specifications	1
4	Features	1
5	Parts Breakdown	2-5
6	Installation Instructions–Rim Type Device	6-9
7	Installation Instructions–Mortise Type Device	10-13
8	Operational Check	14
9	Installation of the RF Technology Lock (G1-TU, G1-TA, G1-TP)	14

1 Warning

Warning: Changes or modifications to this unit not expressly approved by the party responsible for compliance could void the user's authority to operate the equipment.

This device complies with Part 15 of the FCC Rules. Operation is subject to the following two conditions: (1) this device may not cause harmful interference, and (2) this device must accept any interference received, including interference that may cause undesired operation.

Note: This equipment has been tested and found to comply with the limits for a Class B digital device, pursuant to Part 15 of the FCC Rules. These limits are designed to provide reasonable protection against harmful interference in a residential installation. This equipment generates, uses and can radiate radio frequency energy and if not installed and used in accordance with the instructions, may cause harmful interference to radio communications. However, there is no guarantee that the interference will not occur in a particular installation. If this equipment does cause harmful interference to radio or television reception, which can be determined by turning the equipment off and on, the user is encouraged to try to correct the interference by one or more of the following measures:

- Reorient or relocate the receiving antenna
- Increase the separation between the equipment and receiver
- Connect the equipment into an outlet on a circuit different from that to which the receiver is connected
- Consult the dealer or an experienced TV technician for help

This Class B digital apparatus complies with Canadian ICES-003.

Cet appareil numérique de la classe B est conforme avec la norme NMB-003 du Canada.



Warning To comply with "Fire Listed" doors, the batteries must be replaced with alkaline batteries only.

Profile Series v.G1 Exit Device

SARGENT®

ASSA ABLOY

2 General Description

The SARGENT Profile Series v. G1 Rim/Mortise Exit Device is designed for areas which require stand alone authorized entry. It is a self-contained microprocessor-controlled keypad with non-volatile memory. The keypad will hold a total of 100 (LK)/2000 (GI-LU, GI-PK, GI-PA, G1-TU, G1-TP, G1-TA) different user codes. User locations "01" & "02" are utilized for Master and Supervisory Codes, respectively.

This product is operated by six (6) "AA" alkaline batteries. SARGENT exit devices locks are designed with high quality components to provide high security, performance and durability.

Items Supplied with Exit Device

Items included in your 8877 and 8977 Series Exit Device carton:

- Outside Escutcheon with Keypad
- Outside motorized Trim Assembly
- Exit Device
- Mortise cylinder for 8977
- Rim cylinder for 8877
- Inside Escutcheon with Circuit Board and Battery Pack
- 6 "AA" alkaline batteries
- Screw Pack

Items included in your 8878 and 8978 Series Exit Device carton:

- Outside Escutcheon with Keypad
- Outside Motorized Trim Assembly
- Exit Device
- Inside Escutcheon with Circuit Board and Battery Pack
- 6 "AA" alkaline batteries
- Screw Pack

3 Specifications

Profile Series Rim Exit

- Latch – 3/4" throw, stainless steel
- Outside motor driven "ET" lever controlled by keypad
- Push bar retracts latch from inside
- Fire stop provided on all lever handle designs
- Profile Series exit devices furnished for 1-3/4" doors
- UL Listed
- Accepts all SARGENT rim cylinders (8877 only)
- Key retracts latch (8877 only)
- Available in "ET" lever handle designs only

Profile Series Mortise Exit

- Latch – 3/4" throw, anti-friction, brass
- Outside motor driven "ET" lever controlled by keypad
- Push bar retracts latch from inside
- Fire stop provided on all lever handle designs
- Profile Series exit devices furnished for 1-3/4" doors
- UL Listed
- Accepts all SARGENT mortise cylinders (8977 only)
- Key retracts latch (8977 only)
- Available in "ET" lever handle designs only

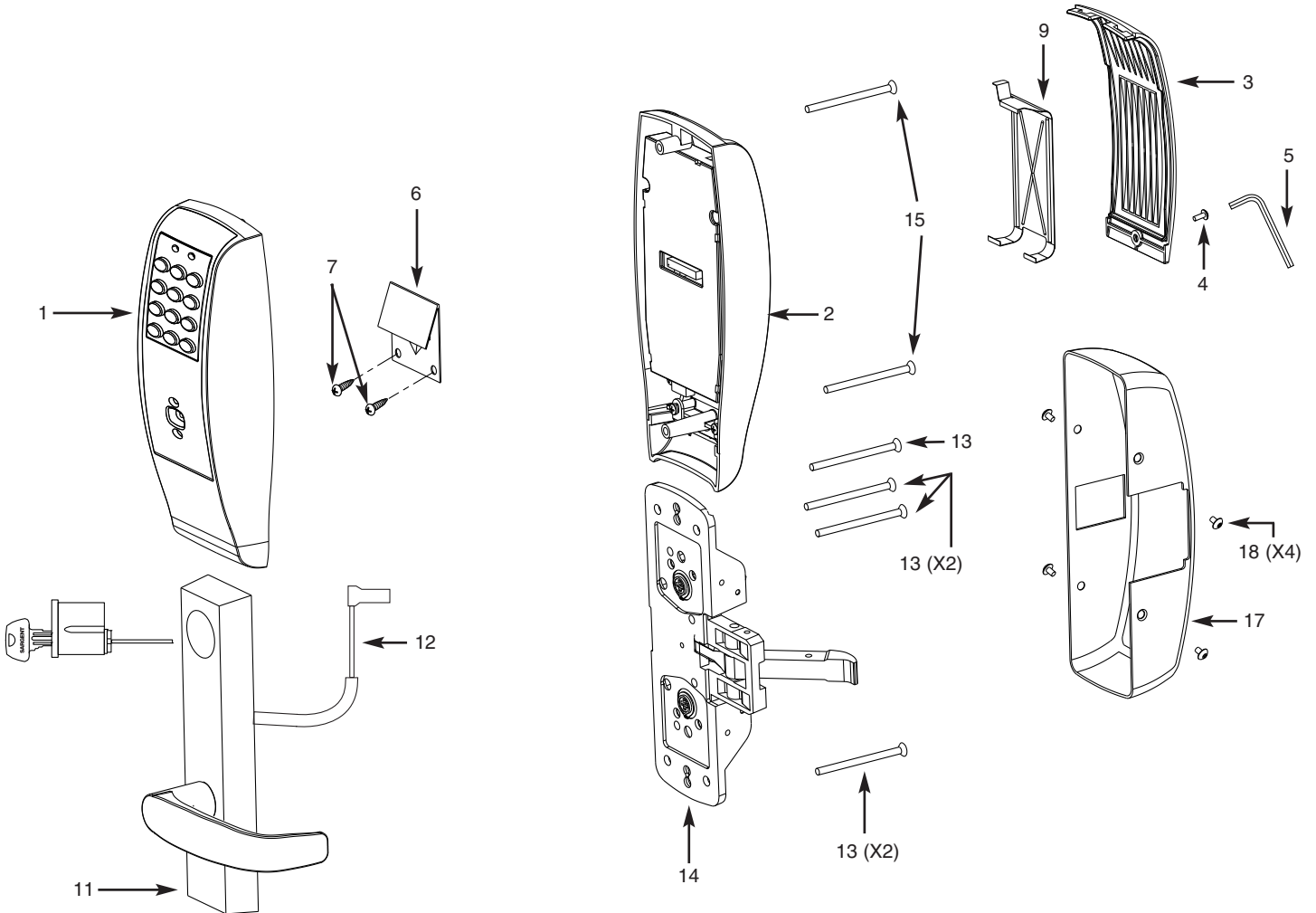
4 Features

- Low battery alert – 4 chirps after code entry
- External remote "request to enter" connector
- Master, Emergency or Supervisory code will unlock door when low battery has expired
- Programming done at keypad or with a PDA using SofLink™ Plus software and a PC (software required for G1-PA & G1-TA)
- Entry of three wrong User Codes disables all codes for ten seconds. Yellow LED on solid
- Last 15 transactions can be output to portable printer via infrared link (LK Only)
- Last 2000 (Except LK) transactions can be output to PC using a PDA and SofLink™ Plus software

Profile Series v.G1 Exit Device

5 Parts Breakdown 8877/8878 x ET x Lever Design Profile Series Rim Exit Device

SARGENT
ASSA ABLOY



Copyright © 2006, 2008, Sargent Manufacturing Company, an ASSA ABLOY Group company. All rights reserved. Reproduction in whole or in part without the express written permission of Sargent Manufacturing Company is prohibited.

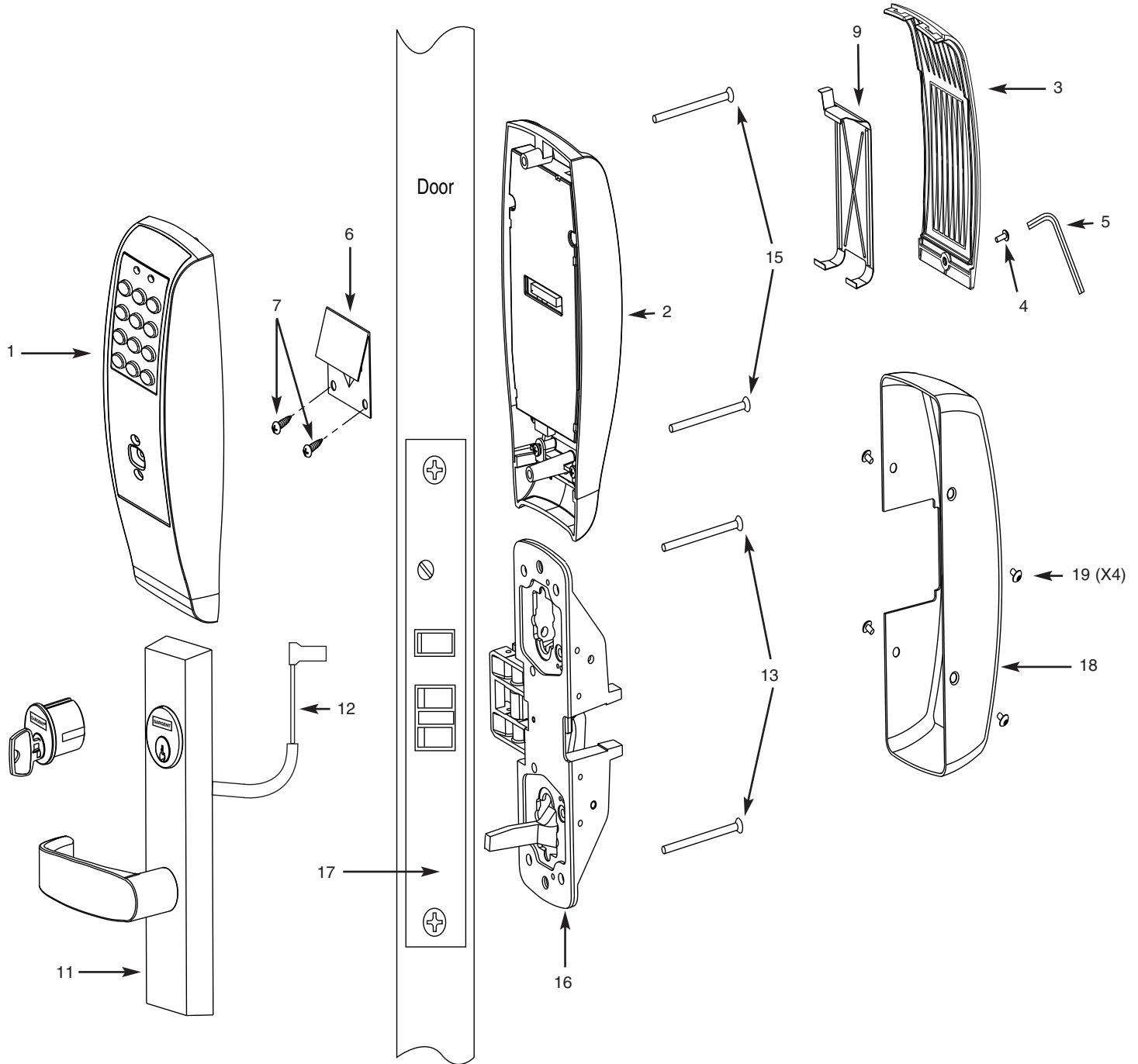
ITEM	PART No.	DESCRIPTION	REQ'D
1	52-2839	Outside Escutcheon (Prox Only) Assembly (G1-PA, G1-TA)	1
	52-2474	Outside Escutcheon (Keypad Only) Assembly (LK)	
1	52-2838	Outside Escutcheon (Keypad/Prox) Assembly (G1-LU, G1-PK, G1-TU, G1-TP)	1
	52-2704	Key Pad and Proximity Assembly (G1-LU, G1-PK, G1-TU, G1-TP)	1
	52-2432	Keypad/Proximity Bezel Assembly w/ Harness (LK)	1
	52-2706	Proximity Only Assembly (G1-PA, G1-TA)	1
	68-1397	Outside Escutcheon Housing Only	1
	52-0176	Outside Escutcheon End Cap	1
2	52-2460	Inside Escutcheon Assembly with 100 User Controller (LK)	1
2	52-2833	Inside Escutcheon Assembly with 2000 User Controller (G1-LU)	1
2	52-2834	Inside Escutcheon Assembly with Prox/Key Pad Controller (G1-PA, G1-PK)	1
	52-2836	Inside Escutcheon Assembly (Keypad Only) with RF Technology Controller (G1-TU)	
	52-2835	Inside Escutcheon Assembly (Keypad/Prox or Prox Only) with RF Technology Controller (G1-TA, G1-TP)	
	68-1396	Inside Escutcheon Housing Only	1
	52-0175	Inside Escutcheon End Cap Only	1
	52-2441	100 User Controller Assembly (LK)	1
	52-2783	2000 User Controller Assembly (G1-LU)	1
	52-2784	2000 User Controller Assembly (G1-PA, G1-PK)	1
	52-2786	2000 User (Keypad/Prox or Prox Only) Controller Assembly w/ RF Technology (G1-TA, G1-TP)	
	52-2785	2000 User (Keypad Only) Controller Assembly w/ RF Technology (G1-TU)	
3	52-0170	Battery Cover	1
	52-2309	Battery Cover – RF Technology (G1-TU,G1-TP, G1-TA)	
4	01-1212	Security Screw	1
5	01-0297	Security Tool	1
6	52-0033	Fire Stop Plate	1
7	01-1500	Fire Stop Screws #8 x 1/2" Type "AB" Phillips Pan Head Self Tap	2
	01-0803	Battery Alkaline ("AA" Cell)	6
9	52-0253	Battery Keeper	1
	52-0344	Battery Keeper – RF Technology (G1-TU, G1-TP, G1-TA)	
10	52-2425	Screw Pack (Includes item numbers 5, 6, 7, 15)	1
11	Consult Factory	Motorized ET Lever Trim	1
12	Consult Factory	Motor and Harness Assembly	1
13	01-4451	ET Through-bolts	2
14	13-0074	Cylinder Retaining Screws	2
15	77-0685	Escutcheon Through-bolts	2
16	68-4261	Center Case Assembly LHRB & RHRB (Std.)	1
	68-4263	Center Case Assembly LHRB (12-) & RHRB (12-)	1
17	68-0406	Chassis Cover	1
18	97-0052	Chassis Cover Screws	4

Profile Series v.G1 Exit Device

SARGENT®

ASSA ABLOY

5 Parts Breakdown 8977/8978 x ET x Lever Design Profile Series Mortise Exit Device



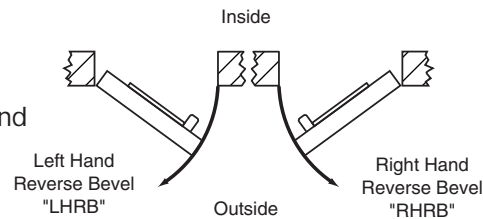
Copyright © 2006, 2008, Sargent Manufacturing Company, an ASSA ABLOY Group company. All rights reserved. Reproduction in whole or in part without the express written permission of Sargent Manufacturing Company is prohibited.

ITEM	PART No.	DESCRIPTION	REQ'D
1	52-2839	Outside Escutcheon (Prox Only) Assembly (G1-PA, G1-TA)	1
1	52-2838	Outside Escutcheon (Keypad/Prox) Assembly (LK, G1-LU, G1-PK, G1-TU, G1-TP)	1
	52-2432	Keypad/Proximity Bezel Assembly w/ Harness (LK)	1
	52-2704	Key Pad and Proximity Assembly (LK, G1-LU, G1-PK)	1
	52-2706	Proximity Assembly (G1-PA, G1-TA)	1
	68-1397	Outside Escutcheon Housing Only	1
	52-0176	Outside Escutcheon End Cap Only	1
2	52-2460	Inside Escutcheon Assembly with 100 User Controller (LK)	1
2	52-2833	Inside Escutcheon Assembly with 2000 User Controller (G1-LU)	1
2	52-2834	Inside Escutcheon Assembly with Prox/Key Pad Controller (G1-PA, G1-PK)	1
	52-2836	Inside Escutcheon Assembly (Keypad Only) with RF Technology Controller (G1-TU)	
	52-2835	Inside Escutcheon Assembly (Keypad/Prox or Prox Only) with RF Technology Controller (G1-TA, G1-TP)	
	68-1396	Inside Escutcheon Housing Only	1
	52-0175	Inside Escutcheon End Cap Only	1
	52-2441	Enclosure (LK) Assembly	1
	52-2783	Enclosure (G1-LU) Assembly	1
	52-2784	Key Pad/Proximity Only Controller (G1-PA, G1-PK) Assembly	1
	52-2786	2000 User (Keypad/Prox or Prox Only) Controller Assembly (G1-TA, G1-TP)	
	52-2785	2000 User (Keypad Only) Controller Assembly (G1-TU)	
	01-0803	Battery Alkaline ("AA" Cell)	6
3	52-0170	Battery Cover	1
	52-2509	Battery Cover – RF Technology (G1-TU,G1-TP, G1-TA)	
4	01-1212	Security Screw	1
5	01-0297	Security Tool	1
6	52-0033	Fire Stop Plate	1
7	01-1500	Fire Stop Screws #8 x 1/2" Type "AB" Phillips Pan Head Self Tap	2
9	52-0253	Battery Keeper	1
	52-0344	Battery Keeper – RF Technology (G1-TU, G1-TP, G1-TA)	
10	52-2425	Screw Pack (Includes item numbers 5, 6, 7, 15)	1
11	Consult Factory	Motorized ET Lever Trim	1
12	Consult Factory	Motor and Harness Assembly	1
13	01-4451	ET Through-bolts	2
15	77-0685	Escutcheon Through-bolts	2
16	68-2172	Center Case Assembly LHRB (Standard and 12-)	1
16	68-2173	Center Case Assembly RHRB (Standard and 12-)	1
17	99-2401	Mortise Lock LHRB	1
17	99-2402	Mortise Lock RHRB	1
18	68-0407	Chassis Cover	1
19	97-0052	Chassis Cover Screws	4

6 Installation Instructions for Rim Type Exit Device 8877/8878

IMPORTANT: BEFORE STARTING

- This device is non handed
- Door should be fitted and hung
- Verify box label for size of exit device, function and hand



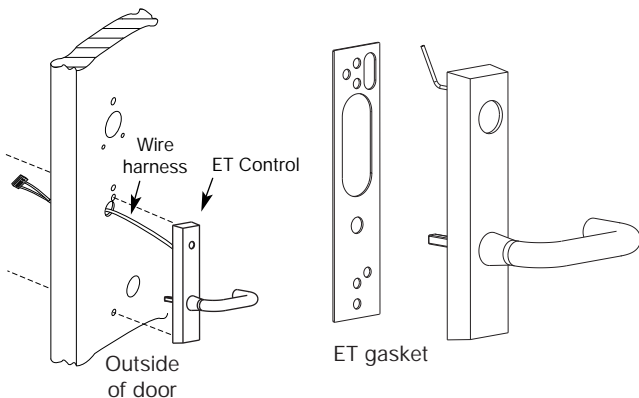
Step #1 – Exit Hardware & Door Prep

1. If using a mullion, install in frame.
2. Prep door according to Exit installation instructions A6770 and appropriate template (metal door 4535 and 4536; wood door A7458 and A7459).

Step #2 – Installation of Outside Trim, Exit Chassis and Cylinder

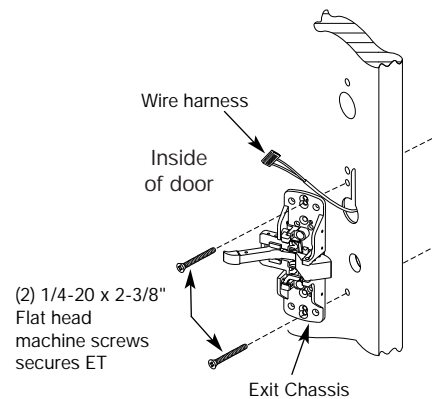
A. Outside Trim

1. For exterior applications “ET” gasket (52-0263) should be used to seal between “ET” escutcheon and outside door surface
2. Route harness through under cut of cylinder hole and out to other side of door
3. Place “ET” control onto door



B. Inside Trim

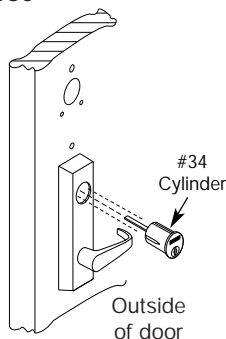
1. Route “ET” harness along track cutout for wood doors and access hole for metal doors
2. Mount exit chassis carefully. **DO NOT PINCH HARNESS WIRES**
3. “ET” spindle will engage into the hub of exit device chassis
4. Secure chassis and “ET” with (2) 1/4 -20 x 2-3/8” flat head machine screws



C. Cylinder Installation

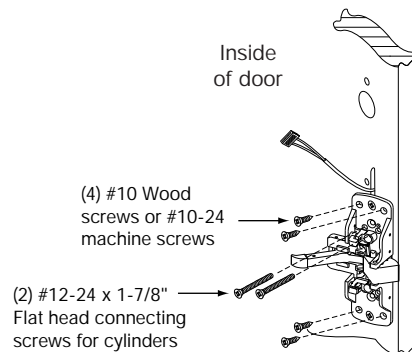
NOTE: For devices without cylinder, go to Step D2.

1. Insert cylinder into “ET” control
2. Mate cylinder tailpiece into hub of exit device chassis
3. Make sure “ET” harness is clear of cylinder and cylinder tailpiece



D. Securing Cylinder

1. Secure cylinder to exit chassis using (2) #12-24 x 1-7/8” connecting screws
2. Fasten exit chassis to door using (4) #10 wood screws or #10-24 machine screws



Copyright © 2006, 2008, Sargent Manufacturing Company, an ASSA ABLOY Group company. All rights reserved. Reproduction in whole or in part without the express written permission of Sargent Manufacturing Company is prohibited.

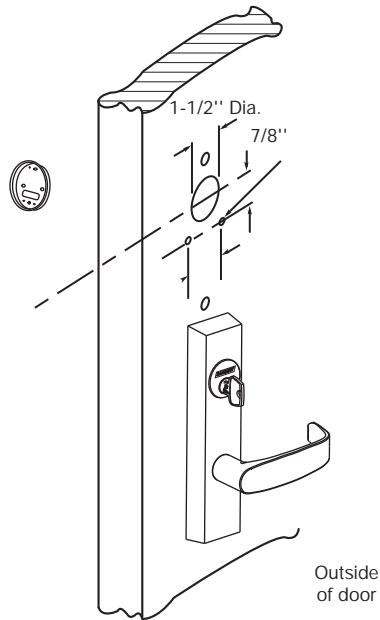
Profile Series v.G1 Exit Device

Installation Instructions (Continued)

Step #3 – Attach Fire Stop Plate

NOTE: Required for 12- Fire Rated doors only

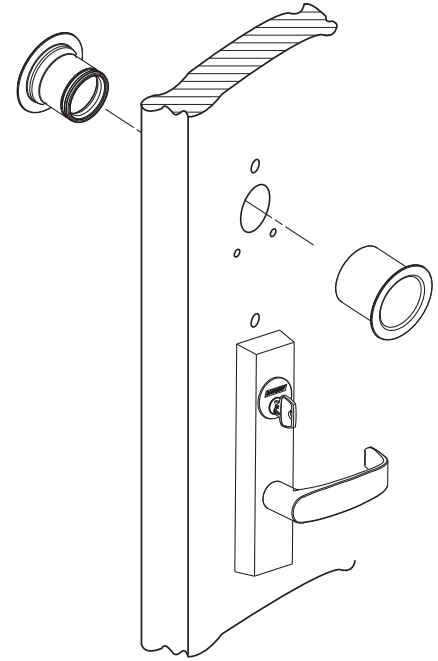
1. Drill (2) 1/8" diameter holes if the door is not supplied with them
2. Secure fire stop plate to door with (2) #8 x 1/2" self tapping screws



SARGENT®

ASSA ABLOY

Non Fire Rated Exterior Doors-
Install Weather Conduit
(P/N 52-2847) as shown below

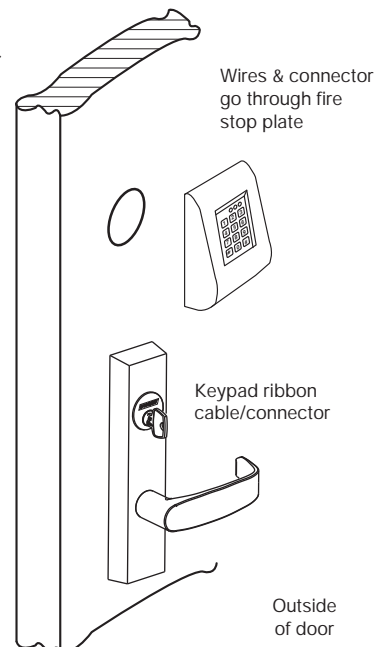


Step #4 – Installation of Outside Escutcheon

Insert connector and wires

1. For exterior applications gasket (68-1400) should be used to seal between escutcheon and outside door surface
- 2a. For 12- fire rated devices feed keypad ribbon cable/connector from outside of door through gasket then fire stop plate
- 2b. For non-12- exit devices, feed keypad ribbon cable/connector through gasket then conduit hole in door
3. Place escutcheon against door surface

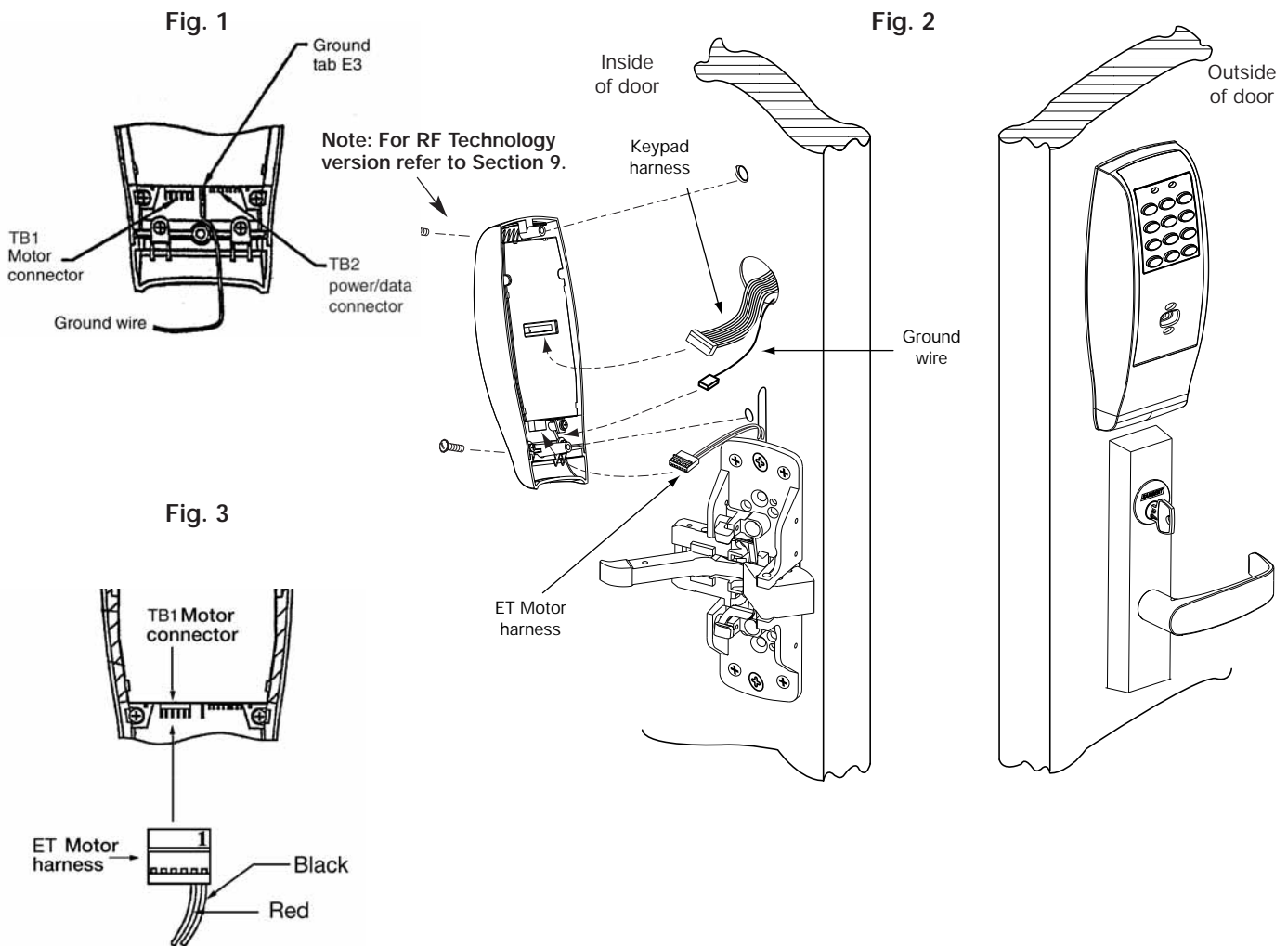
For exterior applications, gasket (68-1400) should be placed between the escutcheon and door surface



Rim Installation Instructions (Continued)
Step #5 Installation of Inside Escutcheon

1. Connect ground wire to terminal E3 (Fig. 1), keypad harness to controller (Fig. 2), and ET motor harness to motor connector (Fig. 3).
2. Place extra wire inside door hole and/or outside escutcheon being careful not to pinch wires.
3. Connectors go on only one way, do not offset connector and be sure they are completely seated.
4. Insert #8-32 x 1-1/4" screws through inside escutcheon and thread into outside escutcheon. Straighten escutcheons and tighten securely.

Note : For RF Technology versions (G1-TU, G1-TP, G1-TA) refer to Section 9 to install through bolt screws.



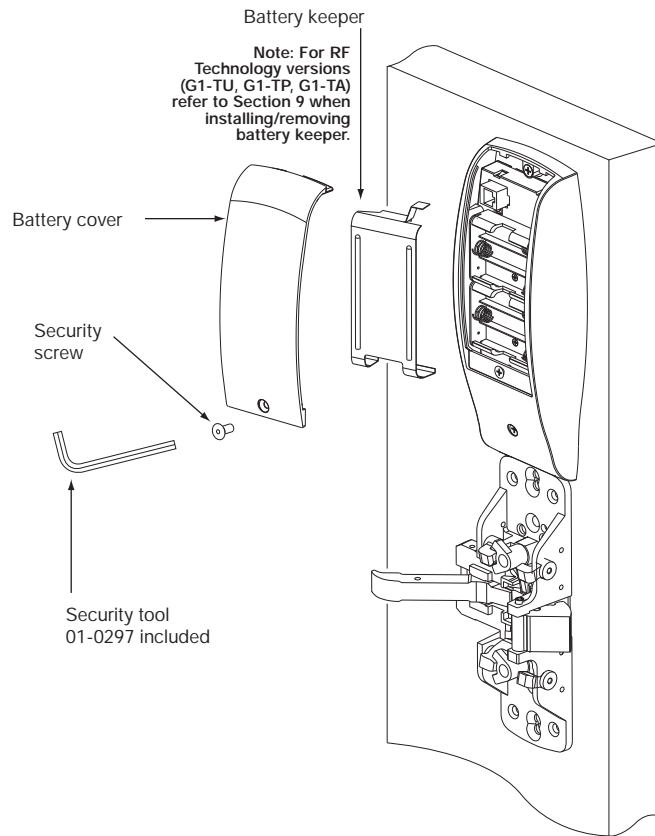


Fig. 4

1. Place (6) "AA" batteries into the compartment, being careful to align polarity properly (Fig. 5).
2. Install battery keeper clip by inserting tabs into bottom slots first (Fig. 6). To remove keeper, pull on top tab. For RF Technology version refer to Section 9.
3. Attach battery cover to inside escutcheon, making sure to line up tabs with retaining slots in battery cover. Secure with security screw (Fig. 7).

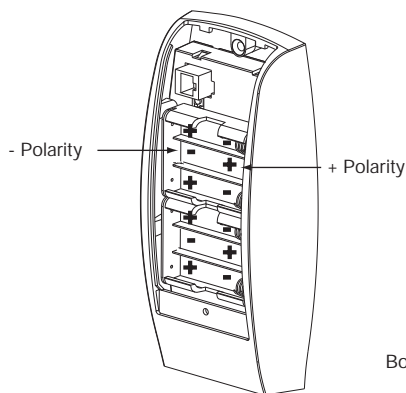


Fig. 5

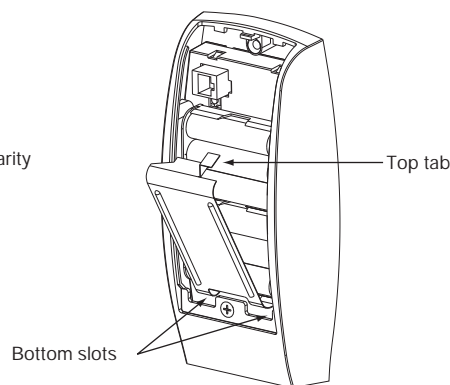


Fig. 6

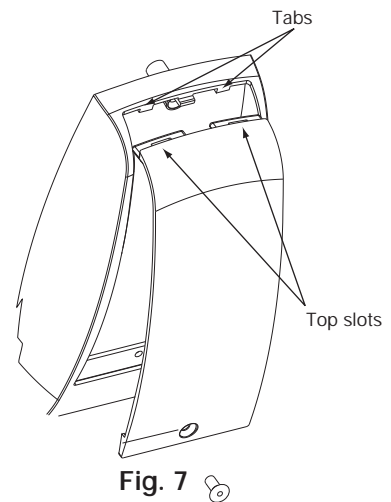


Fig. 7

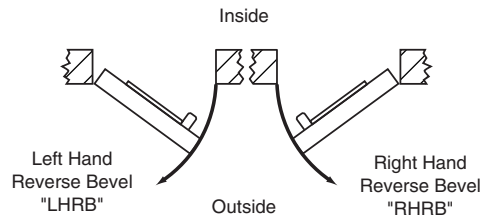
Step #6 Rail Assembly

Attach rail assembly according to exit installation instructions A6770

7 Installation Instructions for Mortise Type Exit Device 8977/8978

IMPORTANT: BEFORE STARTING

- Check hand of door - this device is not reversible
- Door should be fitted and hung
Verify box label for size of exit device, function and hand



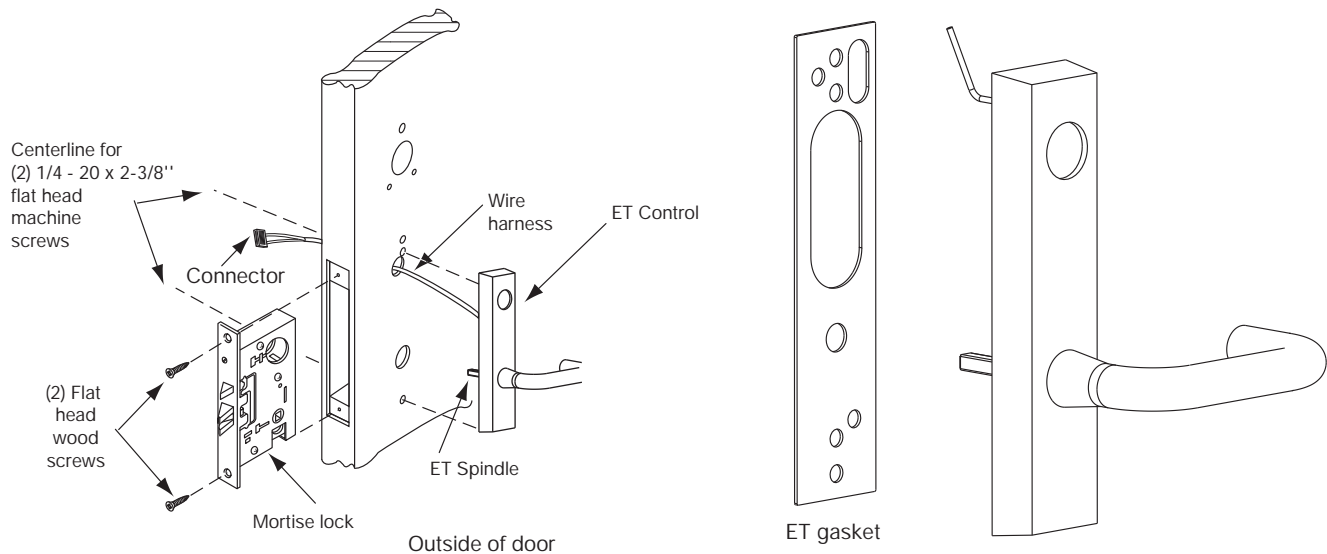
Step #1 - Exit Hardware & Door Prep

Prep door according to Exit installation instructions A6705 and appropriate templates (metal door templates 4537 and 4538; wood door templates A7460 and A7461).

Step #2 - Install Outside Trim, Exit Chassis and Cylinder

A. Outside Trim

1. Slide mortise lock into door and securely fasten with (2) flat head screws
2. For exterior applications gasket (52-0263) should be used to seal between "ET" escutcheon and outside door surface
3. Route "ET" harness through wire cutout and out other side of door
4. Place "ET" control on door with spindle inserted through mortise lock



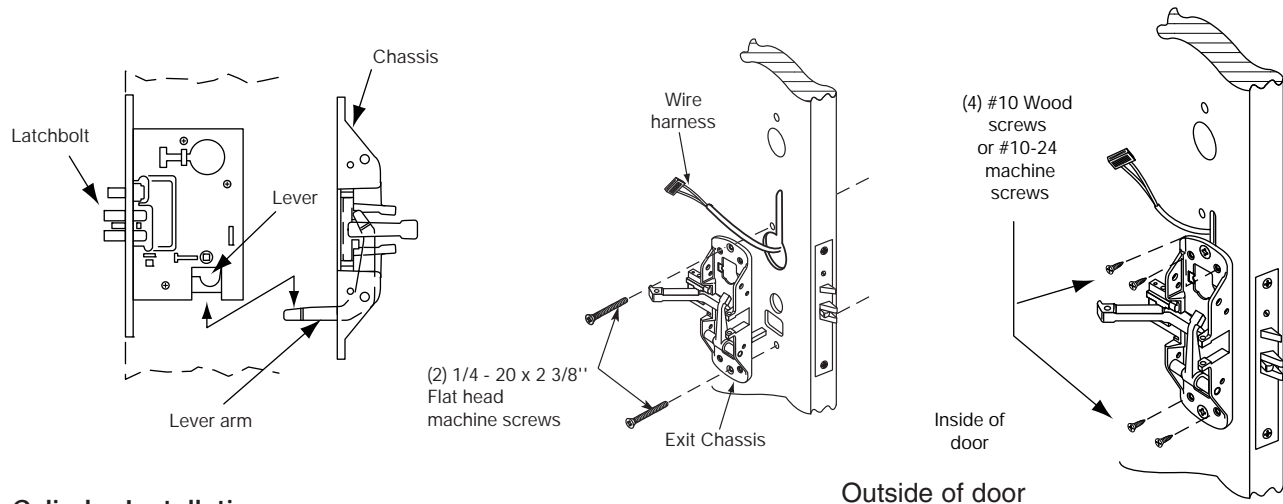
Copyright © 2006, 2008, Sargent Manufacturing Company, an ASSA ABLOY Group company. All rights reserved. Reproduction in whole or in part without the express written permission of Sargent Manufacturing Company is prohibited.

Mortise Installation Instructions (Continued)

Step #2 – Install Outside Trim, Exit Chassis and Cylinder

B. Exit Chassis:

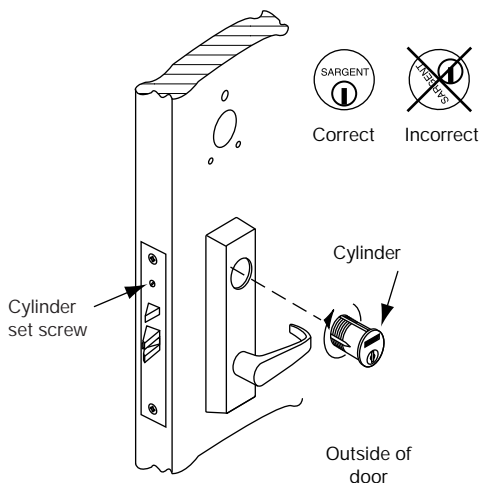
1. Route "ET" harness along track cutout for wood doors and access hole for metal doors
2. Mount exit chassis carefully. **Do not pinch harness wires**
3. Position exit chassis on door with lever arm under rear section of mortise lock
4. Using (2) 1/4-20 x 2-3/8" flat head screws attach chassis to "ET" control
5. Fasten exit chassis to door using (4) #10 wood screws or #10-24 machine screws



C. Cylinder Installation

NOTE: For devices without cylinders, skip this section.

1. Back cylinder set screw out of mortise lock
2. Insert cylinder through "ET" control and thread into mortise lock until cylinder is flush with "ET"
3. Tighten cylinder set screw



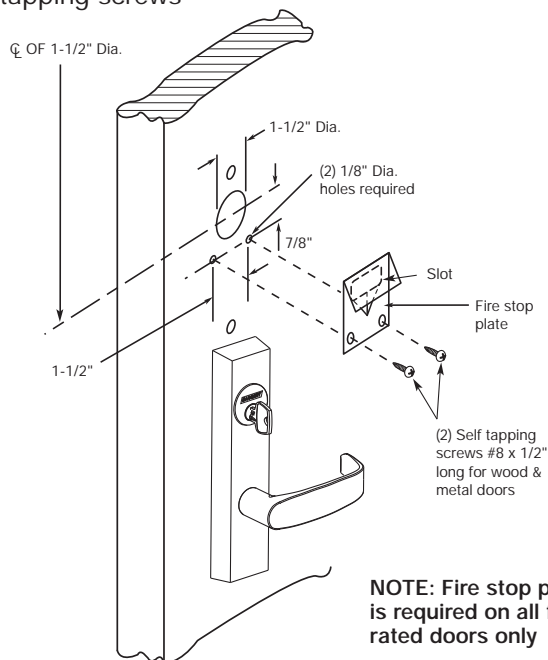
Profile Series v.G1 Exit Device

Mortise Installation Instructions (Continued)

Step #3 – Attach Fire Stop Plate

NOTE: Required for 12- Fire Rated doors only

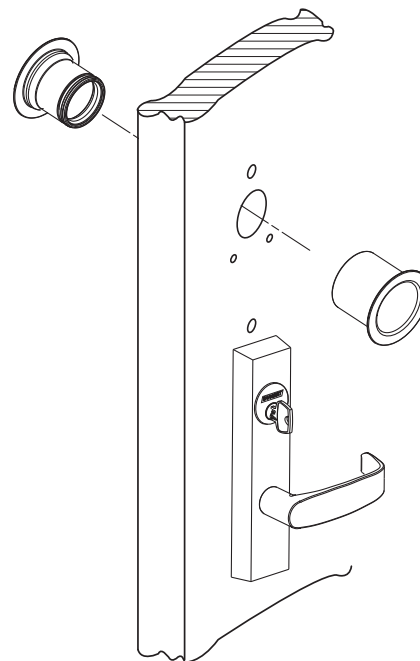
1. Drill (2) 1/8" diameter holes if the door is not supplied with them
2. Secure fire stop plate to door with (2) #8 x 1/2" self tapping screws



SARGENT®

ASSA ABLOY

Non Fire Rated Exterior Doors-
Install Weather Conduit
(P/N 52-2847) as shown below

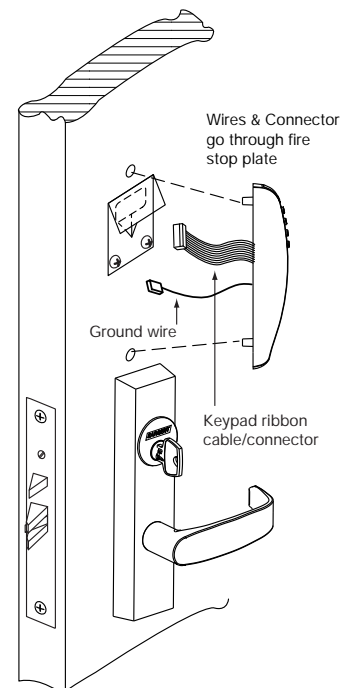
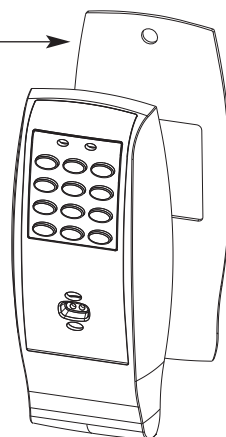


Step #4 – Installation of Outside Escutcheon

A. Insert Wires and Connector

1. For exterior applications gasket (68-1400) should be used to seal between escutcheon and outside door surface
2. For 12- fire rated devices feed keypad ribbon cable/connector from outside of door through gasket then fire stop plate
3. For non-12- exit devices, feed connector and wires through gasket then hole in door
4. Place escutcheon against door surface

For exterior applications gasket (68-1400) should be placed between the escutcheon and the door surface



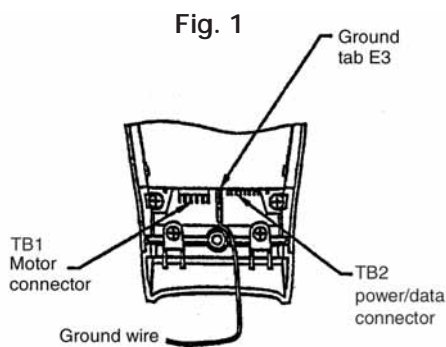
Mortise Installation Instructions (Continued)

Step #5 – Installation of Inside Escutcheon

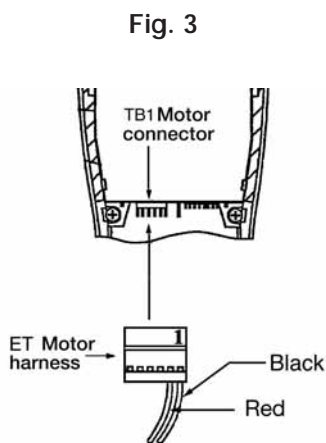
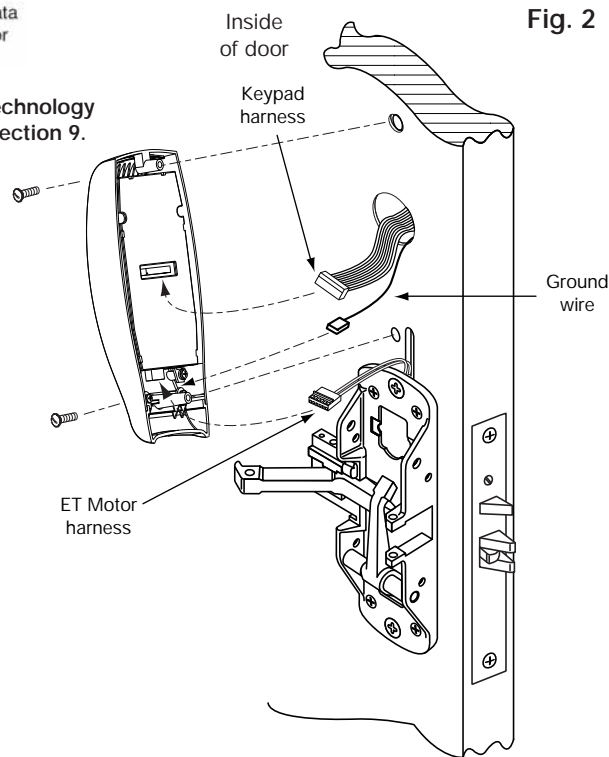
1. Connect ground wire to terminal E3 (Fig. 1), keypad harness to controller (Fig. 2), and ET motor harness to motor connector (Fig. 3).
2. Place extra wire inside door hole and/or outside escutcheon being careful not to pinch wires.
3. Connectors go on only one way, do not offset connector and be sure they are completely seated.
4. Insert #8-32 x 1-1/4" screws through inside escutcheon and thread into outside escutcheon. Straighten escutcheons and tighten securely.

NOTE : For RF Technology versions (G1-TU, G1-TP, G1-TA) refer to Section 9 to install through bolt screws.

5. Install batteries and cover according to instructions on page 9.



For RF Technology refer to Section 9.



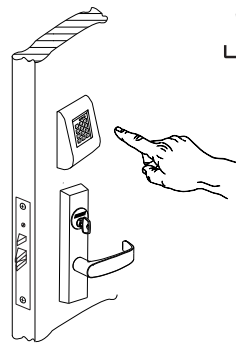
Step #6 – Rail Assembly

Attach rail assembly according to Exit installation instructions A6705

Profile Series v.G1 Exit Device

8 Operational Check

1. For devices without cylinder go to step 4
2. For devices with cylinders, insert key into cylinder and rotate
3. The key will retract the latch, the key should rotate freely
4. Depress inside rail to retract latch
5. Enter 1234* to unlock outside lever handle and retract latch
6. If Prox only (G1-PA) or RF Technology with Prox (G1-TA)
- refer to keypad programming instructions (A7716)



Key/Cylinder, Code Verification

SARGENT®
ASSA ABLOY

9 Installation of the RF Technology Lock

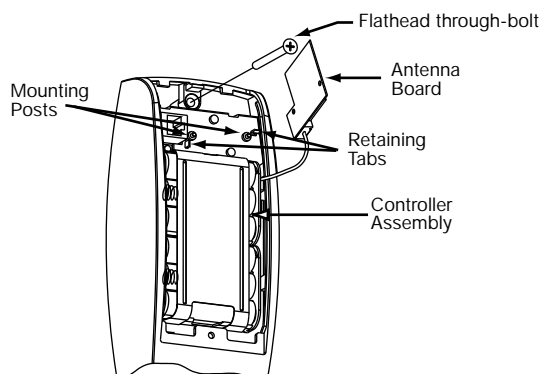
The RF Technology Lock (G1-TU, G1-TA, G1-TP) is installed as described in sections 1-8 with the following exceptions:

- Installation of the top through-bolt screw
- Removal process for the battery keeper

A. Installation of the top through-bolt screw:

The antenna board must be carefully moved to access the upper through-bolt screw. Care should be taken to prevent damage to the antenna retaining tabs during this process.

Press the two tabs away from the antenna board and lift the board off the mounting posts. Insert the flat head through-bolt and secure the escutcheon in place. After tightening the top through-bolt, replace the antenna board by placing it on the mounting posts and pressing into the retaining tabs.



B. Removal procedure for the Battery Keeper:

To remove the battery keeper, a flat bladed screwdriver or similar tool must be used.

Insert the screwdriver into the slot at the top of the battery keeper, lift up and pull the top of the keeper away from the batteries.

To install, insert the tabs on the bottom of the keeper into the battery compartment slots and press the keeper tightly against batteries.

