

# INSTALLATION INSTRUCTIONS

## Door Closer Security Track (SSPT)

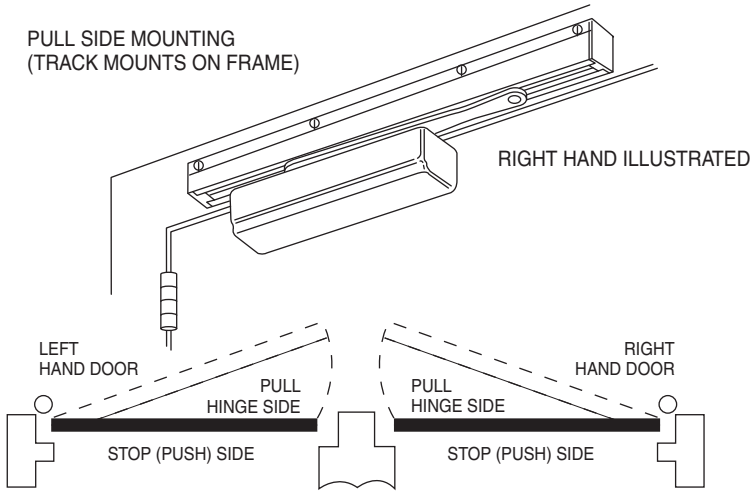
# SARGENT®

# ASSA ABLOY

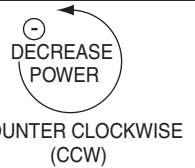
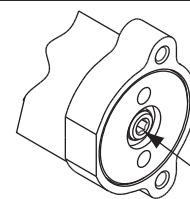
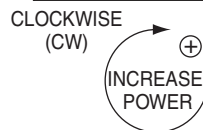
281 SERIES NON SIZED ADJUSTABLE FROM SIZES 2 THRU 5

**CAUTION: FAILURE TO INSTALL OR ADJUST PROPERLY MAY RESULT IN INJURY OR DAMAGE.**  
**FOR ASSISTANCE CONTACT SARGENT AT 800-727-5477 or www.sargentlock.com**

PULL SIDE MOUNTING  
 (TRACK MOUNTS ON FRAME)



DOOR WIDTH (INCHES)	APPROXIMATE DOOR WEIGHT (POUNDS)	NUMBER OF TURNS OF SPRING ADJUSTING NUT
24	80	1-5 CCW
30	110	FACTORY SET
32	115	
36	130	
40	150	
42	155	1-5 CW
44	165	7-12 CW
46	170	
48	180	



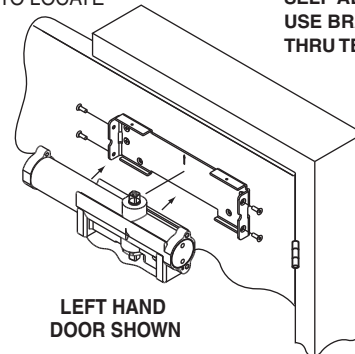
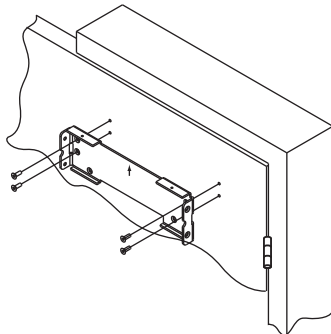
1/4" ALLEN SPRING POWER ADJUSTING SCREW

WHERE STRONG DRAFTS EXIST, INCREASE SPRING POWER AS NEEDED BY TURNING SPRING ADJUSTMENT SCREW CLOCKWISE. IF NECESSARY, REDUCE SPRING POWER BY TURNING SCREW COUNTERCLOCKWISE.

**A** USE DIMENSION SHOWN ON DATA SHEET A7272 ON PAGE 4 TO LOCATE AND PREPARE FOR MOUNTING SCREWS.

**B** INSTALL MOUNTING BRACKET WITH ARROW POINTING UP FOR BOTH RH & LH DOORS AND INSTALL CLOSER WITH SPRING ADJUSTING SCREW TOWARDS HINGE. (USE TEMPLATE ENCLOSED TO LOCATE AND DRILL HOLES).

REMOVE BACKING FROM SELF ADHESIVE TAPE AND USE BRACKET AS DRILL THRU TEMPLATE



LEFT HAND DOOR SHOWN

**C** ATTACH PREASSEMBLED ADAPTER BAR AND TRACK TO FRAME AT LOCATION DETERMINED FROM DATA SHEET PROVIDED. USE TAMPER-PROOF SECURITY SCREWS.

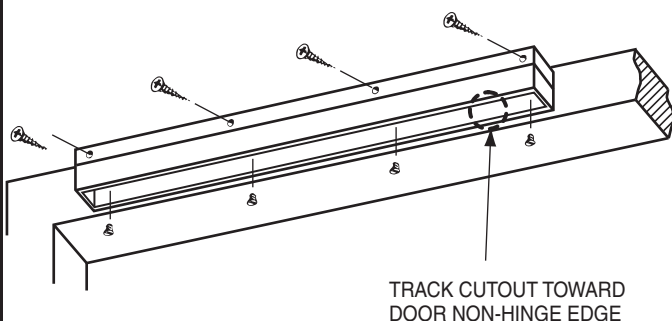
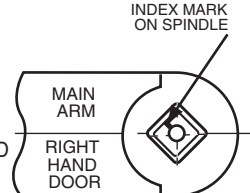
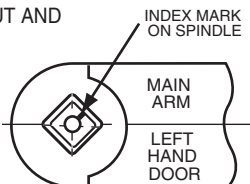
**D** 1. INSERT ARM ROLLER INTO TRACK THRU CUTOUT AND TEMPORARILY LET ARM HANG ON TRACK.

2. ASSEMBLE ARM TO DOOR CLOSER SPINDLE. WITH 1/8" ALLEN WRENCH TURN LATCHING SPEED AND DOOR SPEED VALVES CLOCKWISE UNTIL THEY STOP. DO NOT FORCE VALVES.

3. USING ADJUSTABLE WRENCH, ROTATE DOOR CLOSER SPINDLE 90° CLOCKWISE FOR LEFT HAND DOOR - RIGHT HAND OPPOSITE.

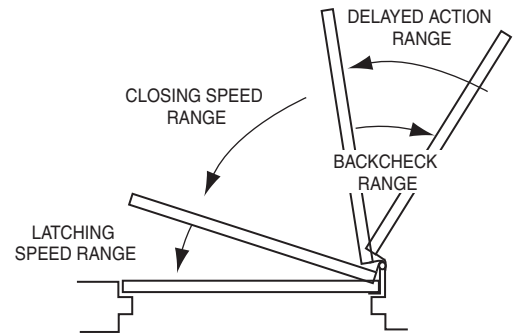
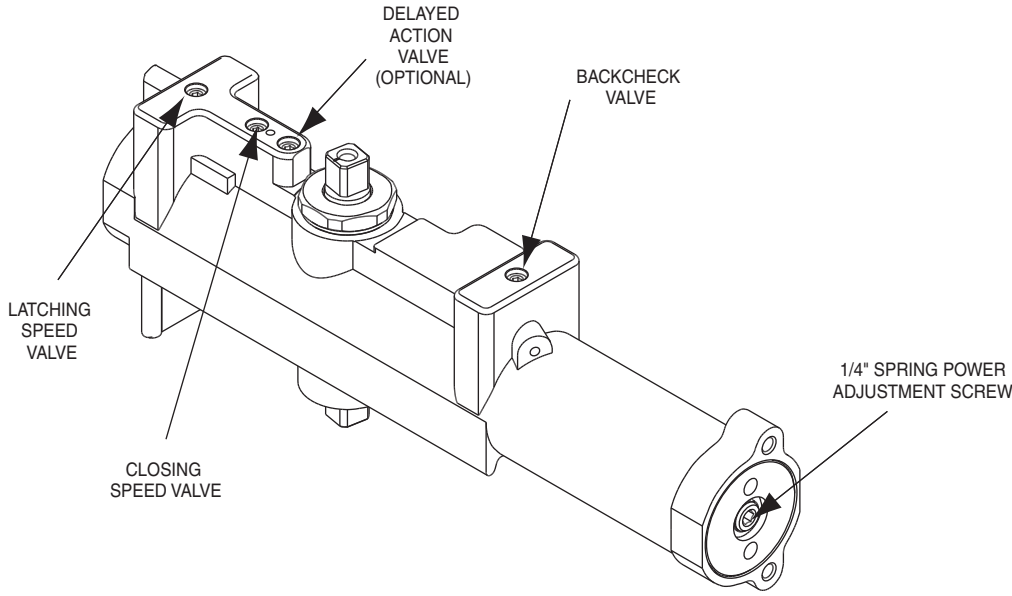
4. WITH THE DOOR CLOSER SPINDLE NOW STATIONARY, MOVE THE END OF THE ARM TO THE SPINDLE END UNTIL SQUARE HOLE LINES UP WITH THE SPINDLE END OF SQUARE APPROXIMATELY 20° OF DOOR OPENING. PUSH ARM DOWN INTO POSITION ON THE SPINDLE AND SECURE WITH SECURITY SCREW AND WASHER.

5. MAKE SURE THAT INDEX MARK ON SPINDLE IS ALIGNED AS SHOWN.



# FINAL ADJUSTMENT AND REGULATING PROCEDURE

**SARGENT**  
**ASSA ABLOY**



## A REGULATING DOOR SPEED AND LATCHING SPEED AS NEEDED.

USE HEX SOCKET (1/8" ALLEN) WRENCH AND TURN VALVES CLOCKWISE TO SLOW DOWN OR COUNTER CLOCKWISE TO SPEED UP DOOR MOVEMENT.



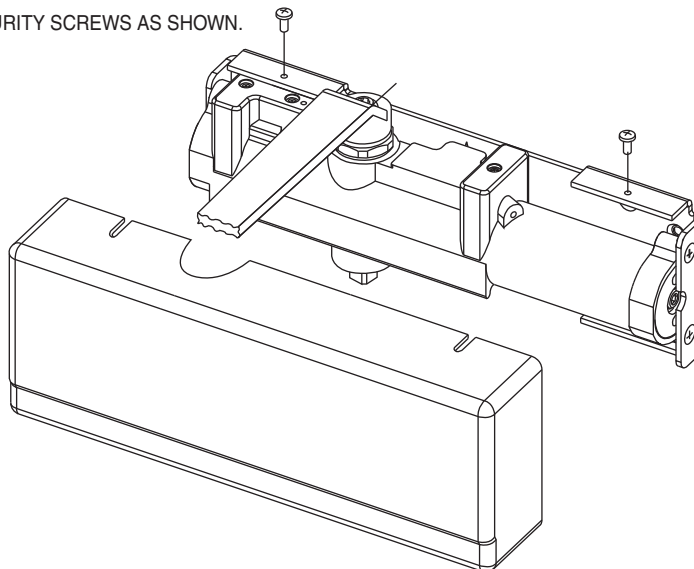
## B REGULATING BACKCHECK

TO REGULATE THE INTENSITY OF BACKCHECK ACTION TURN VALVE CLOCKWISE TO INCREASE OR COUNTER CLOCKWISE TO DECREASE CHECKING.  
**CAUTION:** SET VALVE FOR SLIGHT CUSHIONING EFFECT. IT IS DAMAGING TO THE CLOSER IF THE CHECKING ACTION IS TOO ABRUPT. NEVER USE BACKCHECK AS A DOOR STOP.  
**ALWAYS USE A DOOR STOP TO STOP THE DOOR.**

## C FOR MODELS WITH OPTIONAL DELAYED ACTION FEATURE

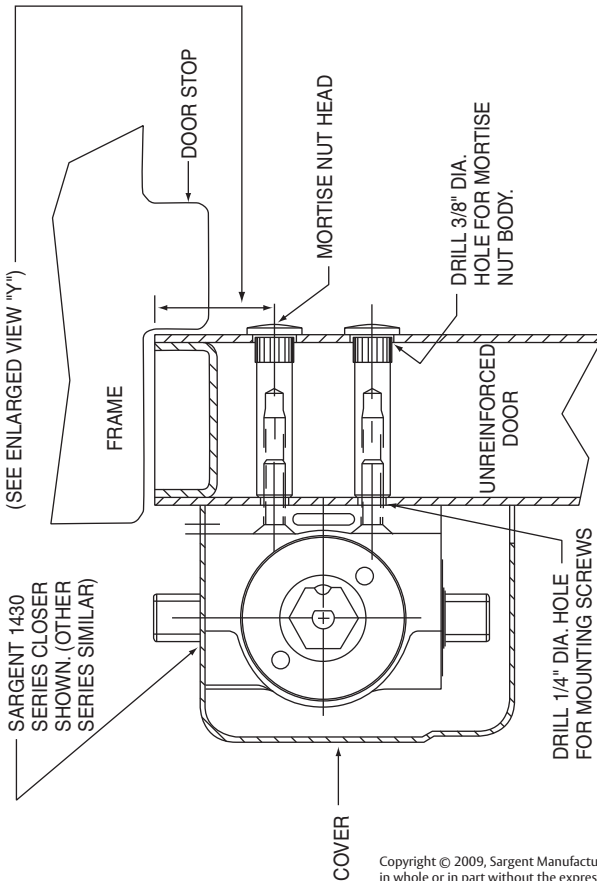
"DELAYED ACTION" PROVIDES SLOW DOOR CLOSING THROUGH DELAYED ACTION RANGE  
TURN VALVE CLOCKWISE TO SLOW DOWN OR COUNTER CLOCKWISE TO SPEED UP DOOR MOVEMENT

## D INSTALL METAL COVER WITH TWO SECURITY SCREWS AS SHOWN.



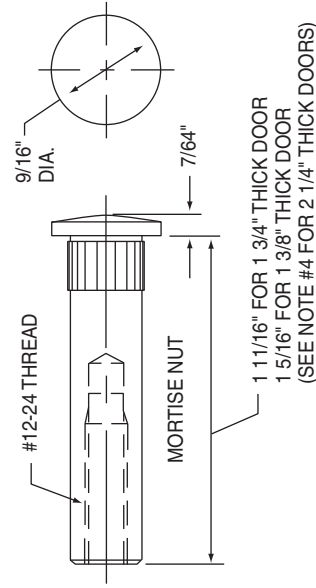
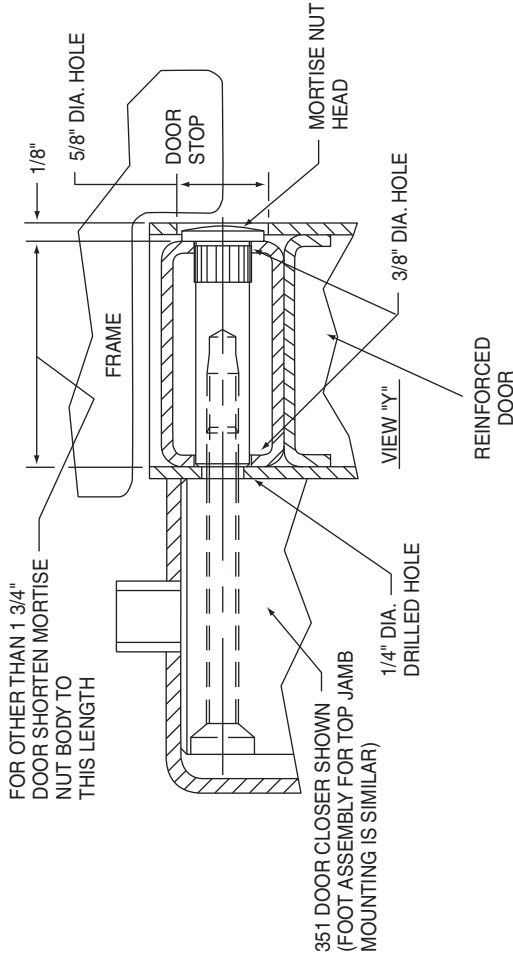
# USING MORTISE NUTS WITH SARGENT DOOR CLOSER

SEE NOTE #1 BELOW FOR DIMENSION INFORMATION. IF A DIMENSION LESS THAN 7/8" IS USED, THE DOOR STOP MUST BE CUT TO CLEAR THE MORTISE NUT HEAD OR THE MORTISE NUT HEAD MUST BE RECESSED. (SEE ENLARGED VIEW "Y")



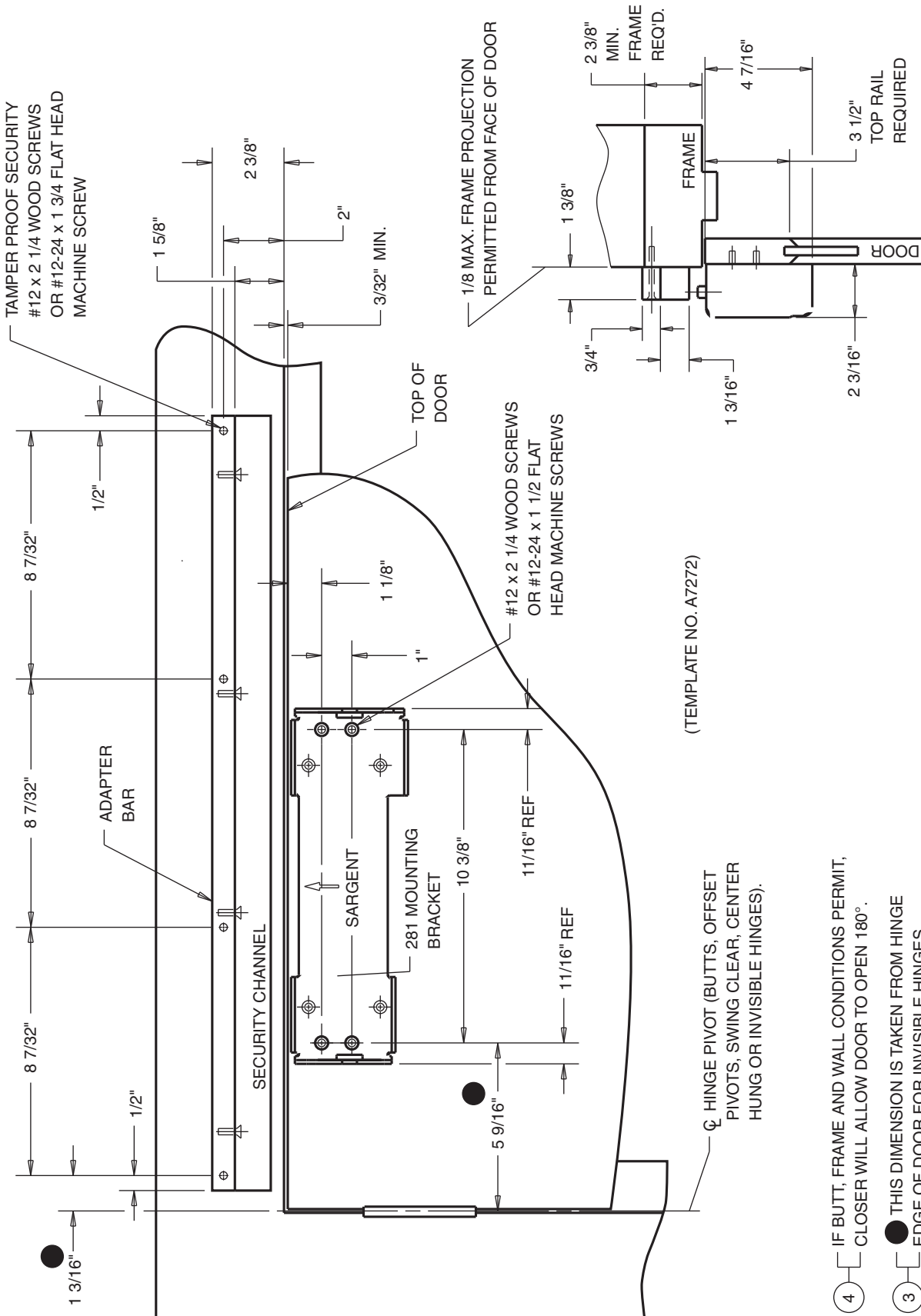
1. SEE INSTRUCTIONS OR DATA SHEET PACKED WITH DOOR CLOSER FOR DIMENSIONS LOCATING THE CLOSER BODY AND FOOT ON DOOR AND FRAME.
2. MORTISE NUT SHOWN IS DESIGNED FOR AN UNREINFORCED METAL DOOR.
3. FOR TOP JAMB AND CORNER BRACKET APPLICATIONS: THE DOOR CLOSER FOOT WILL BE ATTACHED TO THE DOOR IN A MANNER SIMILAR TO THAT SHOWN FOR MOUNTING THE CLOSER BODY.
4. FOR DOORS 2 1/4" THICK: MORTISE NUT SHOWN FOR 1 3/4" THICK DOORS WILL BE FURNISHED ALONG WITH APPROPRIATE LENGTH THRU-BOLTS. DOOR CONSTRUCTION MUST PROVIDE A BRIDGE TYPE REINFORCEMENT TO PREVENT THE DOOR RAIL FROM COLLAPSING WHEN THRU-BOLTS ARE TIGHTENED.

## SARGENT 351 SERIES SHOWN



ASSA ABLOY, the global leader in door opening solutions

ASSA ABLOY, the global leader in door opening solutions



(TEMPLATE NO. A7272)

⊕ HINGE PIVOT (BUTTS, OFFSET PIVOTS, SWING CLEAR, CENTER HUNG OR INVISIBLE HINGES).

- 4 [ ] IF BUTT, FRAME AND WALL CONDITIONS PERMIT, CLOSER WILL ALLOW DOOR TO OPEN 180°.
- 3 [ ] ● THIS DIMENSION IS TAKEN FROM HINGE EDGE OF DOOR FOR INVISIBLE HINGES.
- 2 [ ] 12 GAUGE MIN. REINFORCEMENT REQUIRED FOR METAL DOORS & FRAMES.
- 1 [ ] RIGHT HAND DOOR SHOWN, LEFT HAND DOOR OPPOSITE.