

8 series  
Parts List

RAIL ASSEMBLY  
16-LS/LP/LR8600

Parts List

Page No. REV.  
80.8 A C

1-28-2004

RAIL ASSEMBLY  
LESS END CAPS

16-LS/LP/LR8600	CYLINDER DOGGING RAIL	L M N	68-4246 68-4247 68-4248
-----------------	-----------------------------	-------------	-------------------------------

ITEM	ASSY NO.	PART NO.	DESCRIPTION	QTY
1		809 KIT **	TOUCH BAR REPLACEMENT KIT	1
2		68-0618	PUSH RAIL (F) * (USE FOR "L" RAIL)	1
		68-0616	PUSH RAIL (J) * (USE FOR "M" RAIL)	
		68-0617	PUSH RAIL (G) * (USE FOR "N" RAIL)	
3		01-0098	RETAINING RING	2
4		68-0229	PIVOT PIN PUSH RAIL *	2
5		68-3609	CONNECTING ARM ASSEMBLY	2
6	68-4246 (L)	68-0945	PIVOT PIN MOUNTING RAIL	2
7	68-4247 (M)	68-0943	BRACKET CONNECTING ARM	2
8	68-4248 (N)	01-1236	SCREW #6-32 X 3/8 *	4
9		68-1319	MOUNTING RAIL (L) *	1
		68-1320	MOUNTING RAIL (M) *	
		68-1321	MOUNTING RAIL (N) *	
10		68-0236	SPRING	2
11		68-4255	MOUNTING RAIL INSERT (L) *	1
		68-4256	MOUNTING RAIL INSERT (M) *	
		68-4257	MOUNTING RAIL INSERT (N) *	
12		01-4537	HOLE PLUG	1
14		68-0772	FILLER	1
15		01-1220	SCREW #6-32 X 3/8	4
16		68-3020	LOCKDOWN CAM ASSY	1
24				
17		68-0701	CYLINDER NUT	1
18		97-0349	CYLINDER RING #41 CYLINDER *	1
19		—	CYLINDER * $\phi\phi$	2
21		68-1315	MOUNTING PLATE	1
22		68-1316	END CAP *	1
23		97-0052	SCREW #8-32 X 5/16 *	2
—		68-4383	MOUNTING PACK INC ITEM 21	1

\* SPECIFY FINISH

\*\* 809 KIT INCLUDES TOUCH BAR AND  
ASSOCIATED HARDWARE

$\phi\phi$  SPECIFY #41 CYLINDER BY  
KEYING REQ.

THIS PAGE MUST FACE 80.8B

80 series  
Parts List

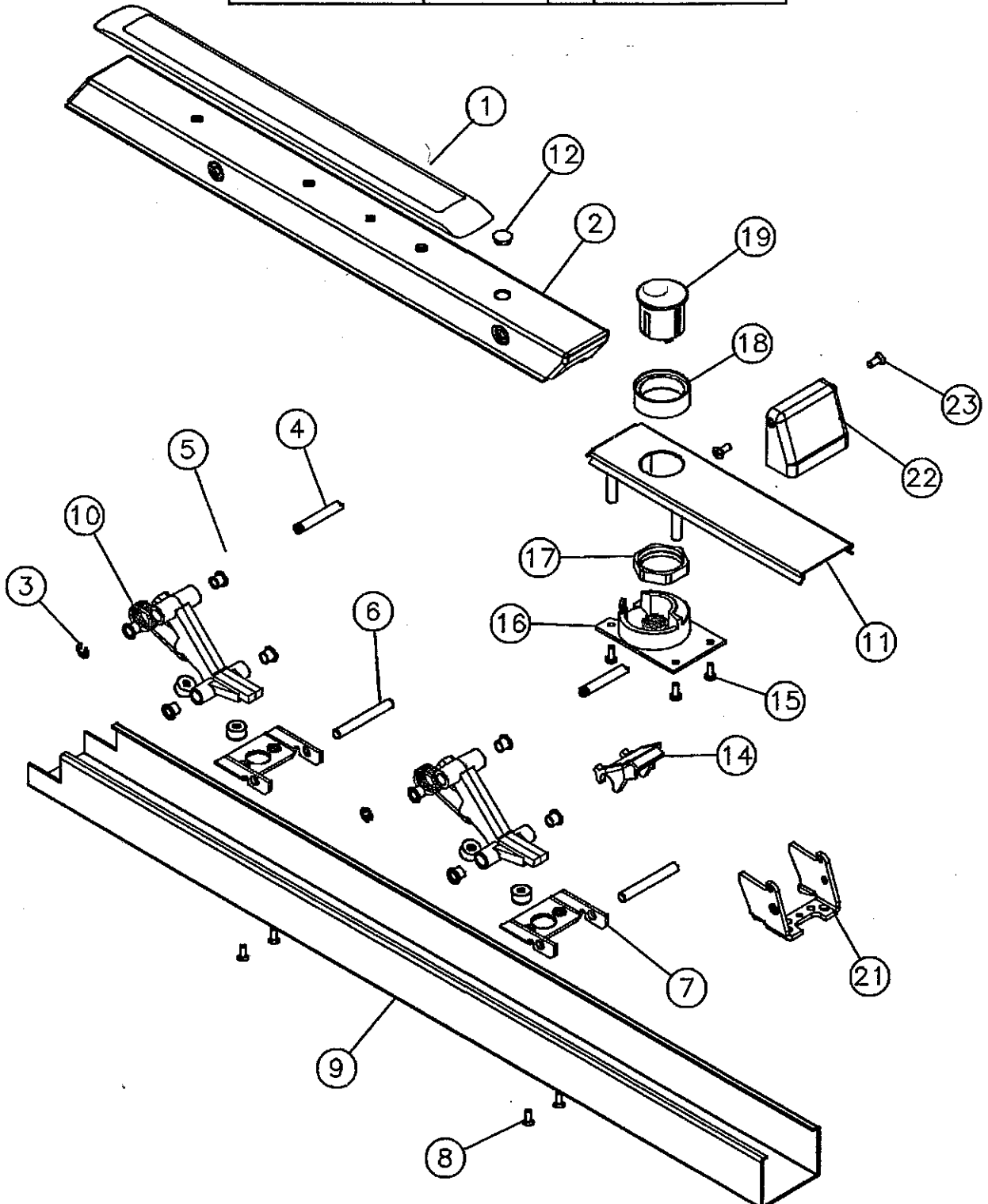
RAIL ASSEMBLY  
16-LS/LP/LR8600

Parts List

Page No. REV.  
80.8B C  
1-28-2004

RAIL ASSEMBLY  
LESS END CAPS

16-LS/LP/LR8600	CYLINDER DOGGING RAIL	L M N	68-4246 68-4247 68-4248
-----------------	-----------------------------	-------------	-------------------------------



THIS PAGE MUST FACE 80.8A