



Installation Instructions

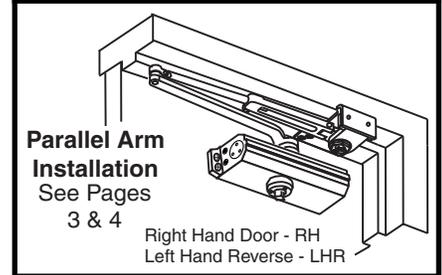
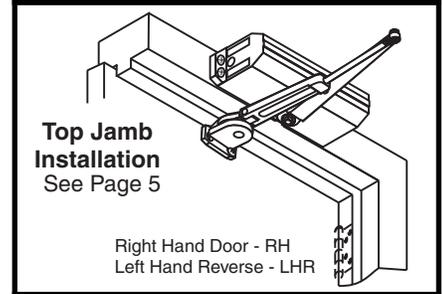
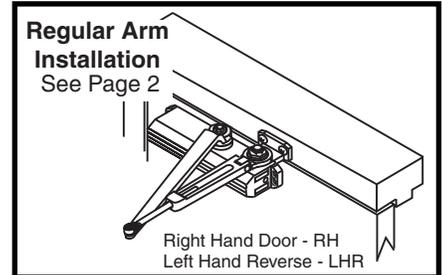
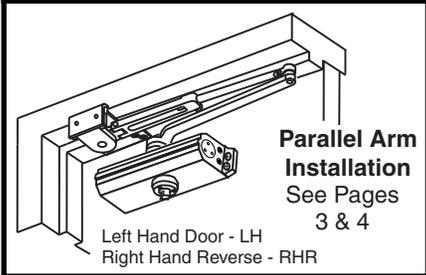
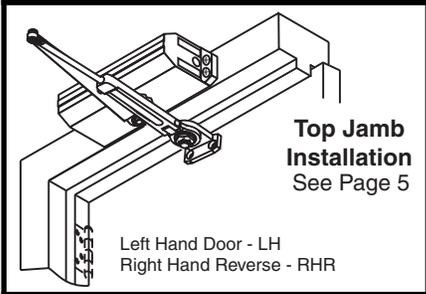
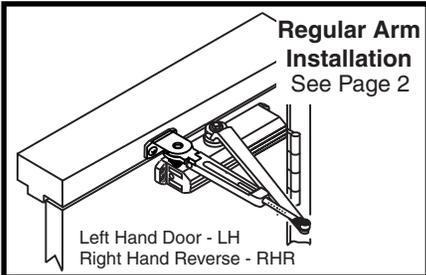
9300BCH Series Non Handed Door Closer

ASSA ABLOY

Hold Open Arm Models

Weaker -
 Stronger +
 Sized (Sizes 2,3,4,5)
9302BC-H
9303BC-H
9304BC-H
9305BC-H

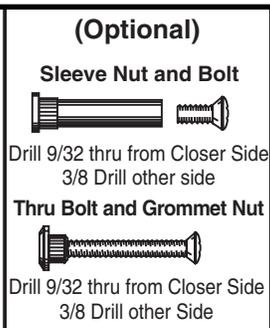
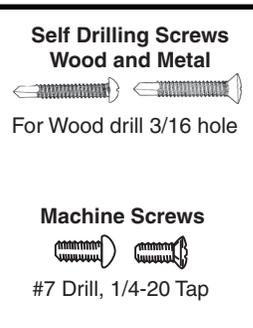
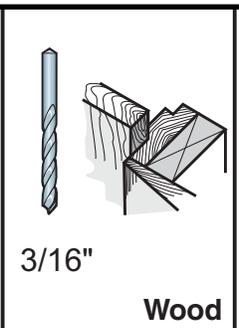
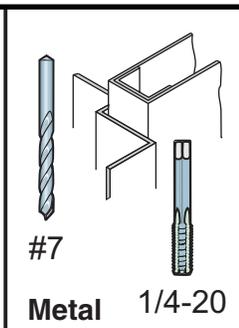
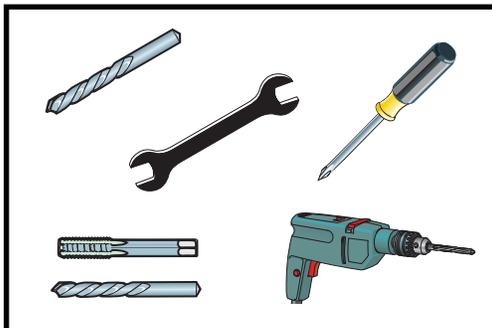
Regular Arm
 Top Jamb
 Parallel Arm



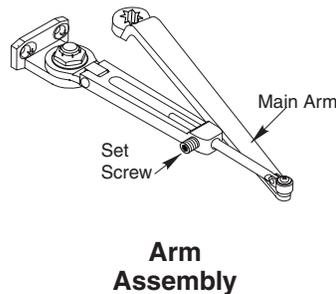
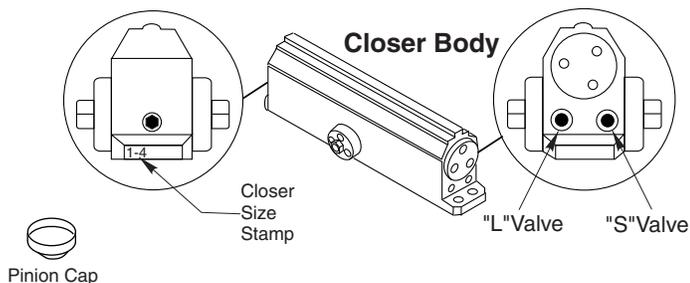
CAUTION An Incorrectly installed or improperly adjusted door closer can cause property damage or personal injury. These installation instructions should be followed to avoid the possibility of misapplication or misadjustment.

NOTE: For special applications a separate door and frame preparation template is packed with these instructions. Use this instruction sheet for installation sequence and closer adjustments only.

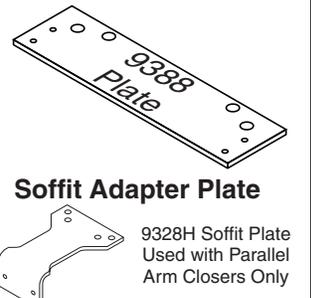
- Doors should be hung on ball bearing or anti-friction hinges.
- A separate door stop is recommended.
- Door and frame must be properly reinforced.
- Adjust closing time speed between 3 and 7 seconds from 90° to 0°.
- These door closers should NOT be installed on the exposed side (weather side) of exterior doors.



Standard Components



Optional Components



9300BCH Series

Hold Open Door Closers — Regular Arm



ASSA ABLOY

1 Parts

2

Right Hand Shown

Opening	Dimension "A"
To 100°	$\frac{7}{(178)}$
101° to 120°	$\frac{6}{(152)}$
* 121° to 180°	$\frac{3-1/2}{(89)}$

Inches
(mm)

* Door/Wall/Hardware/Jamb conditions permitting

3

90°
E

4 Sweep

5 Latch

6 Backcheck

Caution:
Don't completely close valve

7 Set Hold Open

90° min.

90° - 180°

8 Pinion Cap

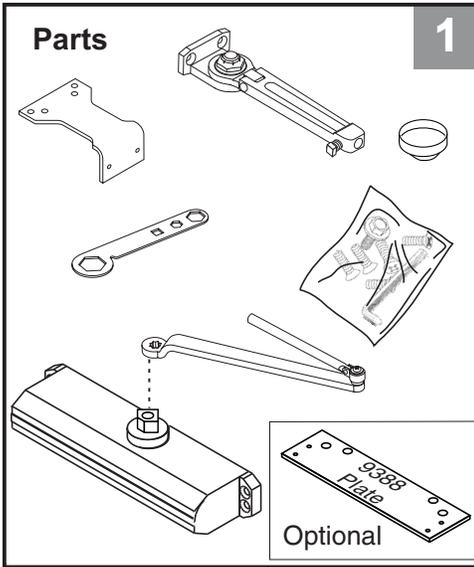
Screw pinion cap onto pinion shaft by hand or with a Phillips screw driver - DO NOT OVER TIGHTEN.

9300BCH Series

Hold Open Door Closers — Parallel Arm

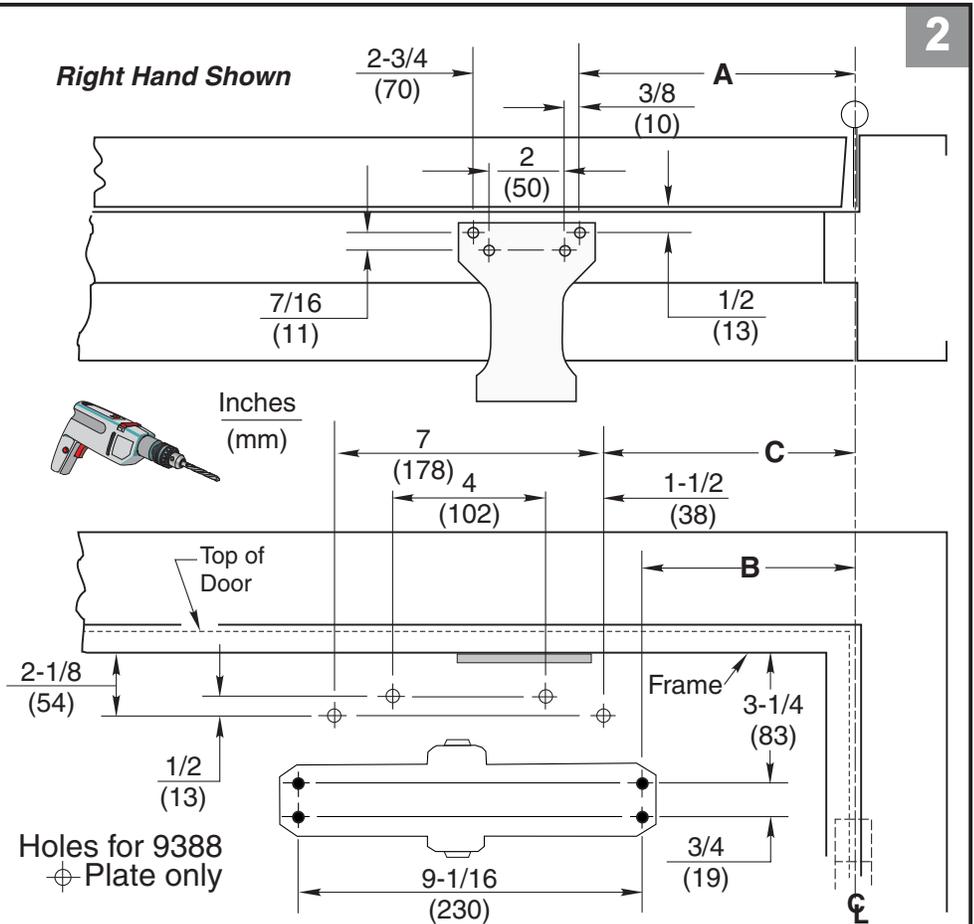


ASSA ABLOY



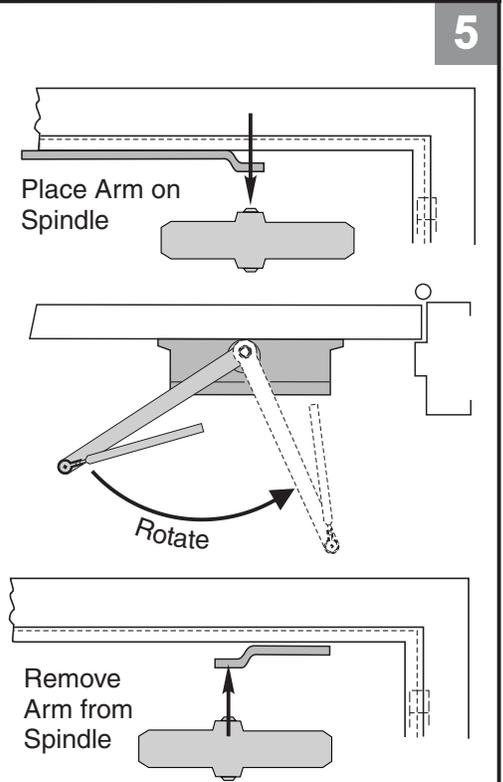
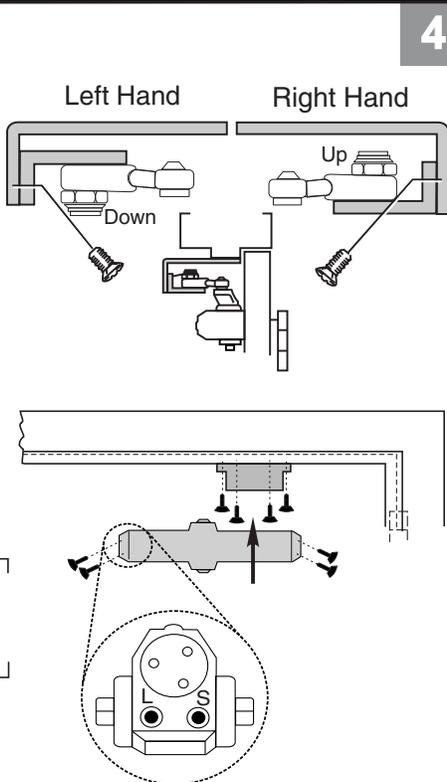
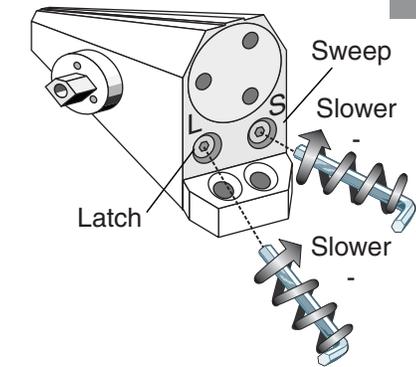
Door Opening	A	B	C
To 100°	9-1/4 (235)	7-5/8 (194)	8-5/8 (219)
101° to 130°	7-3/4 (197)	6-1/8 (156)	7-1/8 (181)
*131° to 180°	5-3/4 (146)	4-1/8 (105)	5-1/8 (130)

* Door/Wall/Hardware/Jamb conditions permitting



3

Close Valves



See Step 6 on Page 4

9300BCH Series

Hold Open Door Closers — Parallel Arm



ASSA ABLOY

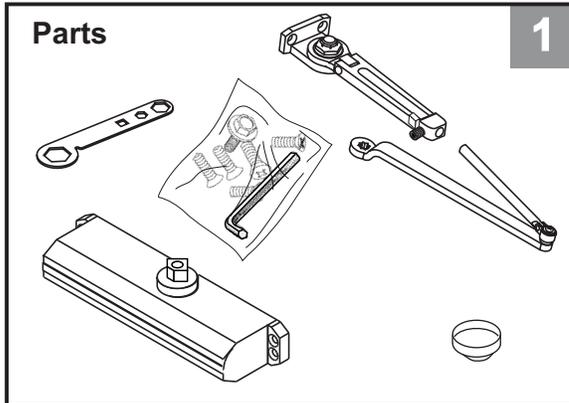
<p>6</p> <p>Right Hand Door or Left Hand Door Flat A B</p>	<p>7</p> <p>Open Valves</p> <p>Caution: Do Not Back Valves Out Completely</p>	<p>8</p> <p>Assemble Arm</p>
<p>9</p> <p>Arm Screw</p> <p>1-1/2 (38) Arm Screw</p>	<p>10</p> <p>Sweep</p> <p>Slower - Faster +</p>	<p>11</p> <p>Latch</p> <p>Faster + Slower -</p>
<p>12</p> <p>Backcheck</p> <p>Stronger + Weaker -</p> <p>Caution: Don't completely close valve</p>	<p>13</p> <p>Pinion Cap</p> <p>Screw pinion cap onto pinion shaft by hand or with a Phillips screw driver - DO NOT OVER TIGHTEN.</p>	<p>14</p> <p>Set Hold Open</p> <p>70° to 180°</p>

9300BCH Series

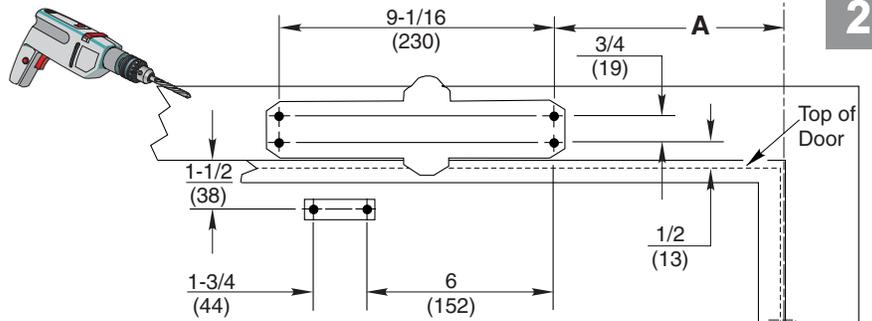
Hold Open Door Closers — Top Jamb Arm



ASSA ABLOY



1



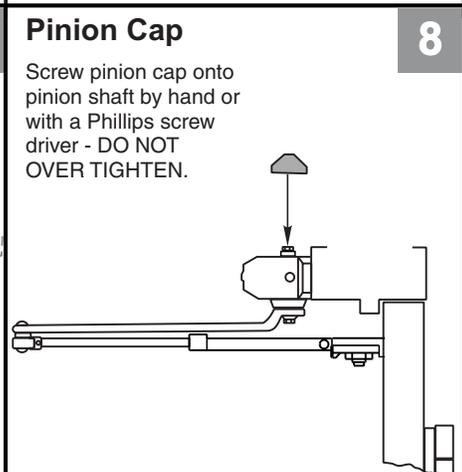
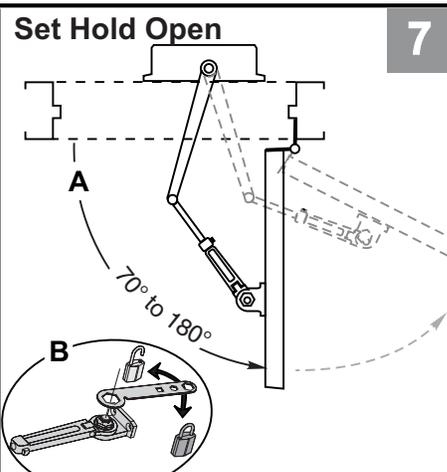
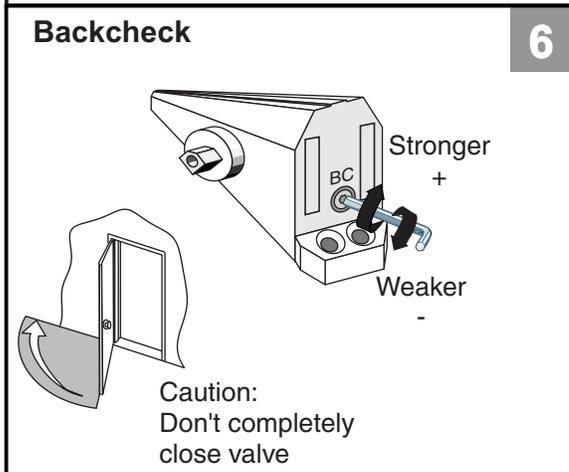
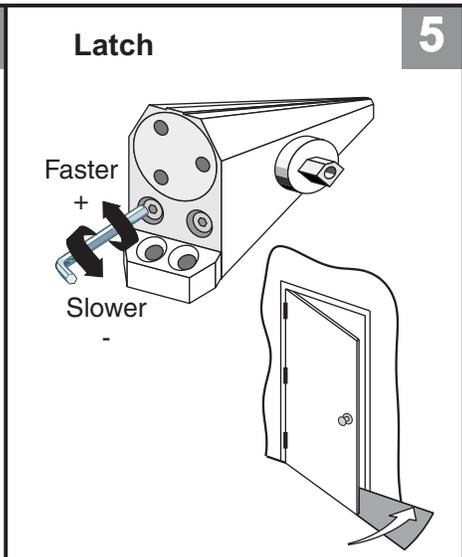
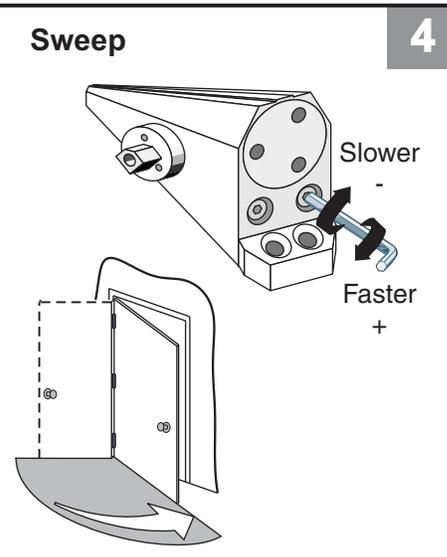
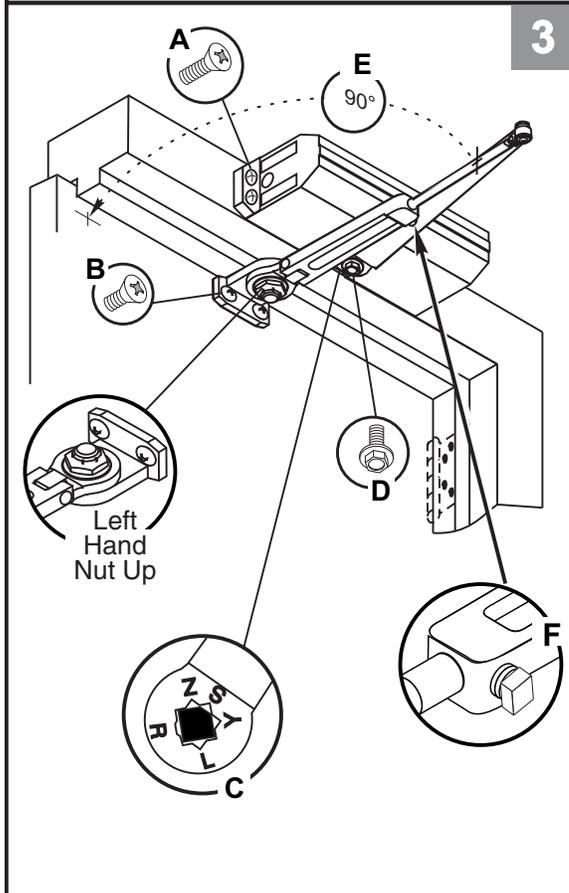
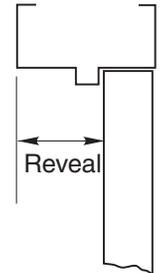
2

Inches (mm) * Door/Wall/Hardware/Jamb conditions permitting

Right Hand Shown

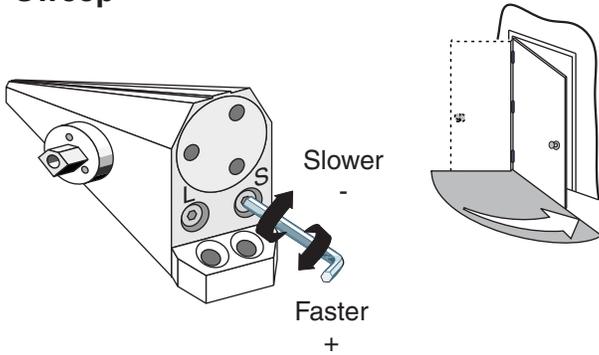
Opening	Dimension "A"
To 100°	7-1/2 (191)
101° to 120°	6 (152)
*121° to 180°	3-1/2 (89)

A longer connecting rod is required for reveals greater than 3" (76)

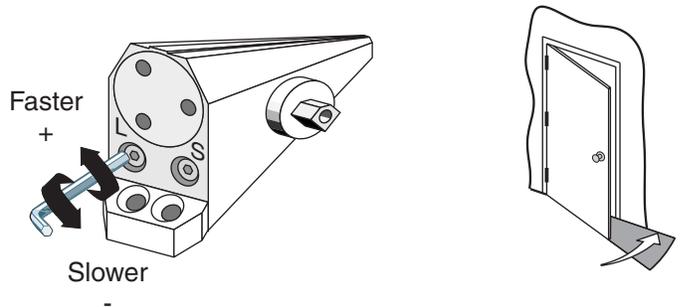


9300BCH Series Adjustments

Sweep

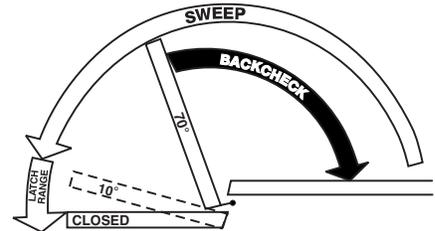
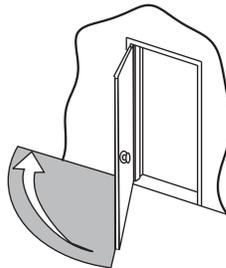
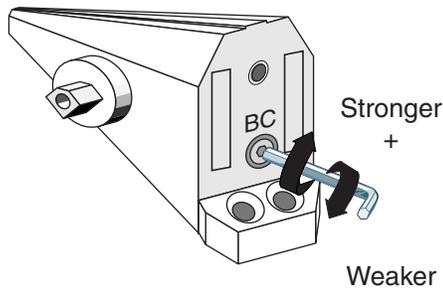


Latch

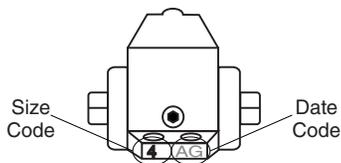


(Use 1/8" Hex Wrench for these Adjustments)

Backcheck



To identify your model:

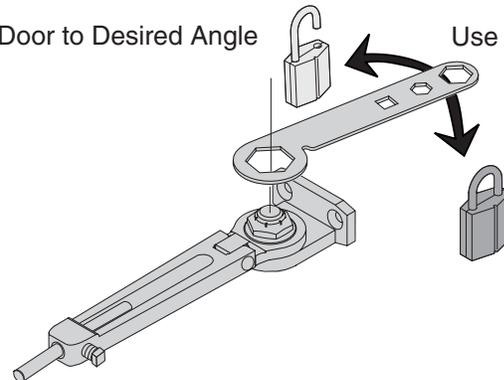


- 2=9302BC-H
- 3=9303BC-H
- 4=9304BC-H
- 5=9305BC-H

To Set Hold Open

Open Door to Desired Angle

Use 1" Wrench



Norton

ASSA ABLOY

3000 Highway 74 East • Monroe, NC 28112
 Tel: (877)-974-2255 • Fax: (800)-338-0965
www.nortondoорcontrols.com

ASSA ABLOY, the global leader in door opening solutions

80-9393-0012-020 (05-14)