



ASSA ABLOY

Installation Instructions



An Incorrectly installed or improperly adjusted door closer can cause property damage or personal injury. These installation instructions should be followed to avoid the possibility of misapplication or misadjustment.

7500 Series

Non Hold Open Models

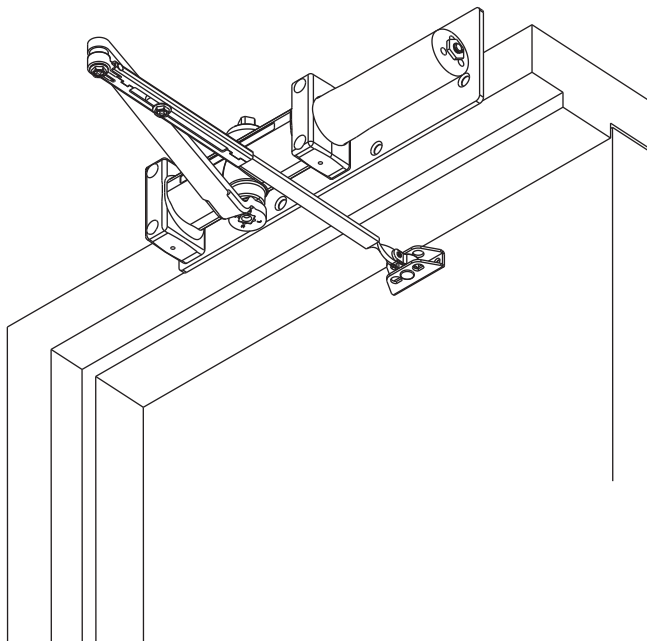
Top Jamb Installation

Multi Size 1 thru 6

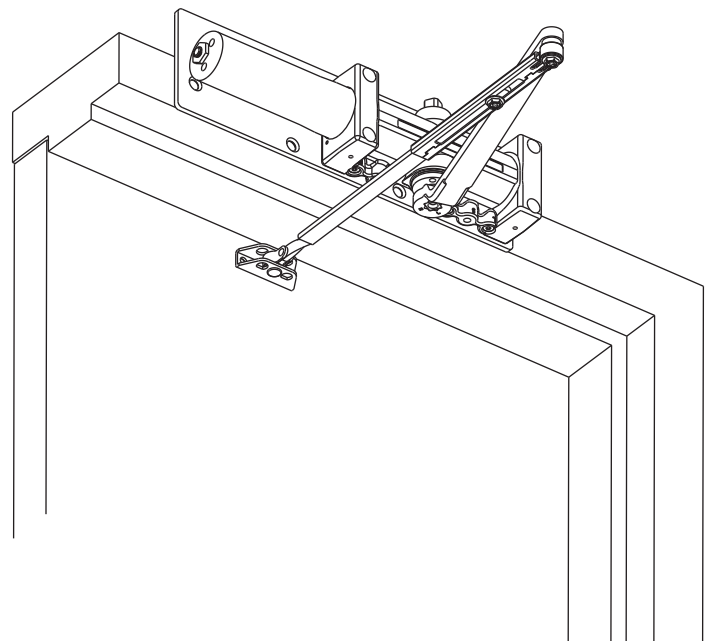
JS7500



Illustrations show product mounted on 2" frame face with optional 7786 backplate (sold separately).
Optional backplate is not required on 4" frame face.



Left Hand Door - LH
Right Hand Reverse - RHR



Right Hand Door - RH
Left Hand Reverse - LHR

- "DA" suffix (Delayed Action) is an optional feature.
- **NOTE:** For special applications a separate door and frame preparation template is packed with these instructions. Use this instruction sheet for installation sequence and closer adjustments only.
- Doors should be hung on ball bearing or anti-friction hinges.
- A separate door stop is recommended.
- Door and frame must be properly reinforced.
- Always adjust spring power before adjusting control valves.
- Adjust closing time speed between 3 and 7 seconds from 90° to 0°. Greater closing times may be required for elderly or handicapped.
- These door closers should NOT be installed on the exposed side (weather side) of exterior doors.

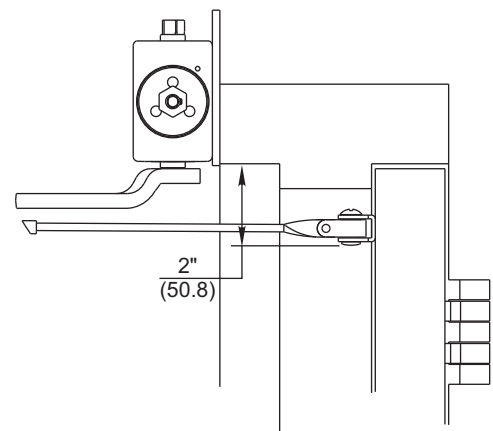
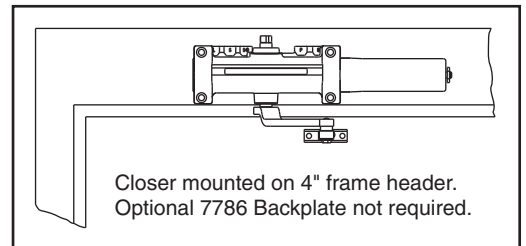
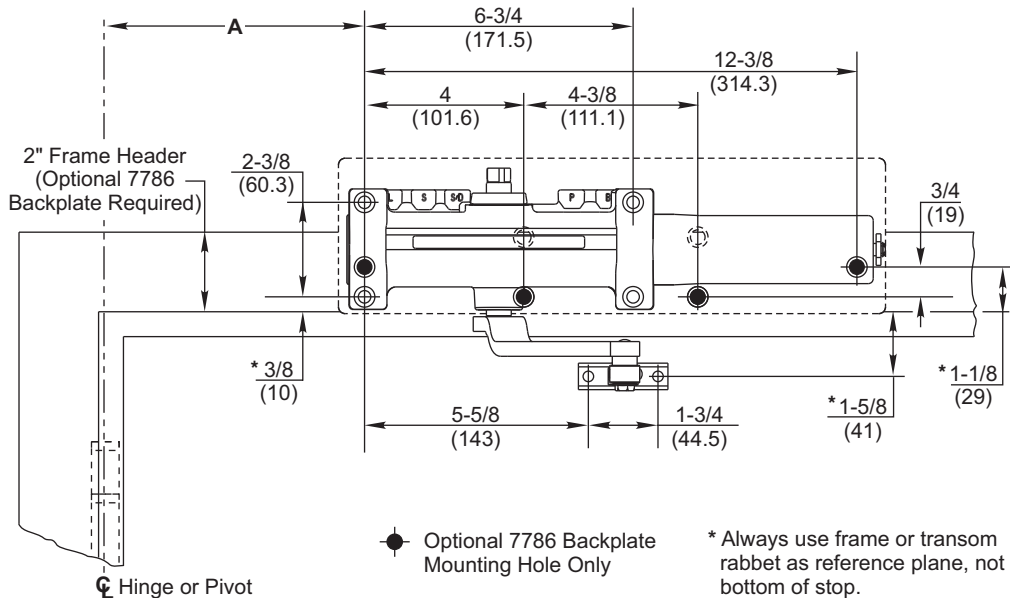
7500 Series

Non Hold Open Door Closers — Top Jamb

	Metal <p>#7 1/4-20</p>	Wood <p>3/16" * Pilot Hole Required</p>	Self Drilling Screws Wood and Metal <p>For Wood drill 3/16 hole</p> Machine Screws <p>#7 Drill, 1/4-20 Tap</p>	(Optional) Sleeve Nut and Bolt <p>Drill 9/32 thru from Closer Side 3/8 Drill other side</p> Thru Bolt and Grommet Nut <p>Drill 9/32 thru from Closer Side 3/8 Drill other Side</p>
<p>DA Option Closer (5 Valves) Standard Closer (4 Valves) Closer Body Shoe Shoe and Adjusting Rod Forearm Screw Main Arm and Slide Unit Assembly Power Adjustment Nut</p>		<p>2 Cover Screws Plastic Cover (Standard) Screw Pack</p>	<p>2 Cover Screws Metal Cover (Optional) 7786 Backplate (Optional, Sold Separately)</p>	

Mark and Drill Holes

This template for use with standard butt hinges or 3/4 offset pivots.
For all other hardware, please consult factory for template.



Opening	Dimension A	
	inches	mm
To 100°	7-5/8	194
101° to 120°	6-5/8	168
121° to 150°	4-5/8	117
151° to 180°	4-1/8	105

- Do not scale drawing.
- **Left hand door shown**, right hand opposite.
- Dimensions are in inches / (mm)
- Hollow metal door require channel or box type reinforcement when through bolt mount is specified.
- Sex bolts required for wood or plastic faced fire door mounting.
- Minimum thickness recommended for reinforcements in hollow metal doors and frames: .146" (2.66mm) unless otherwise specified.

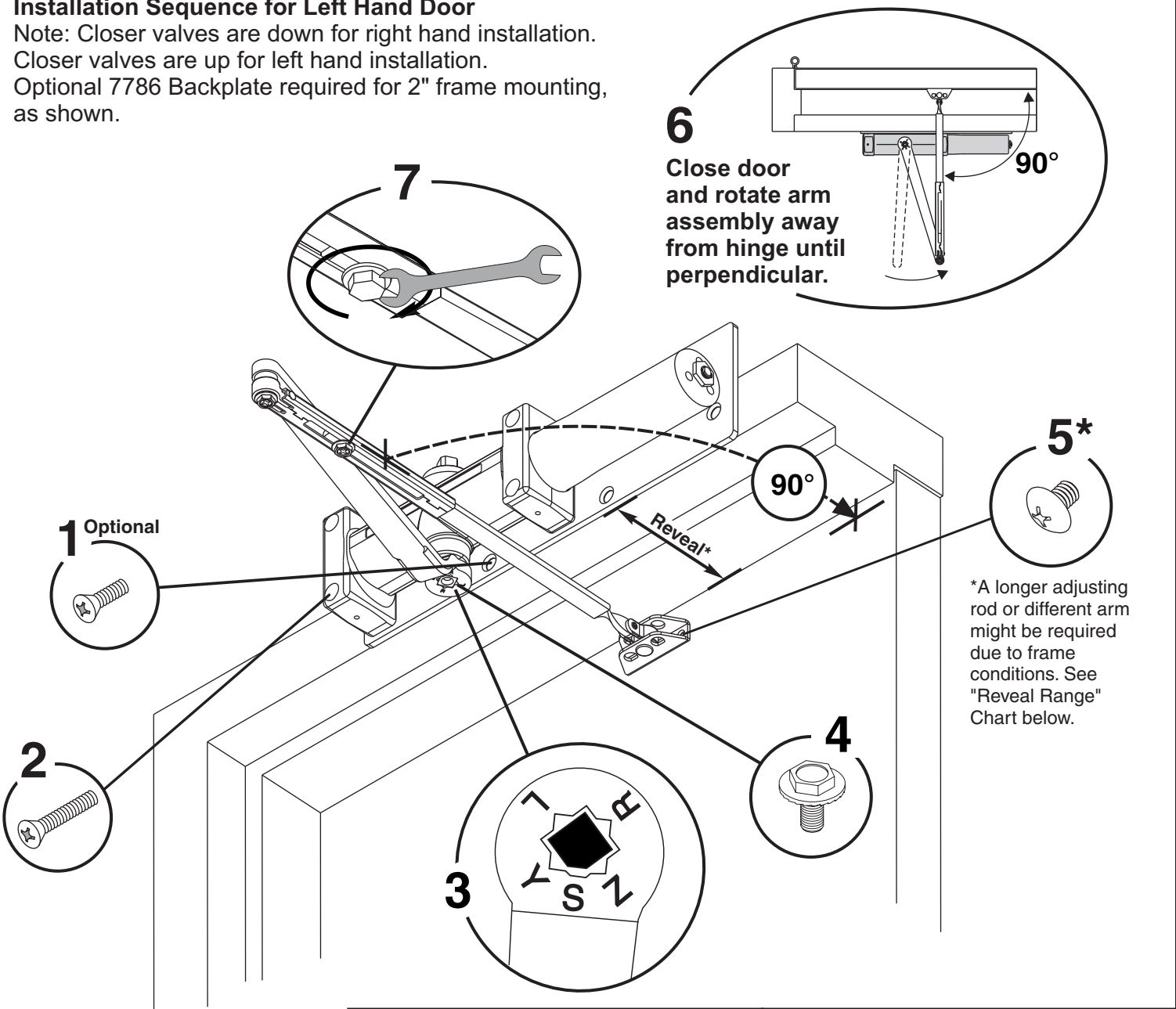
- Arm with Hold Open function is NOT permitted on fire door.
- Maximum width hinge for this template is 5" (127).
- Closer valves are facing down for right hand. Valves are facing up for left hand.

7500 Series

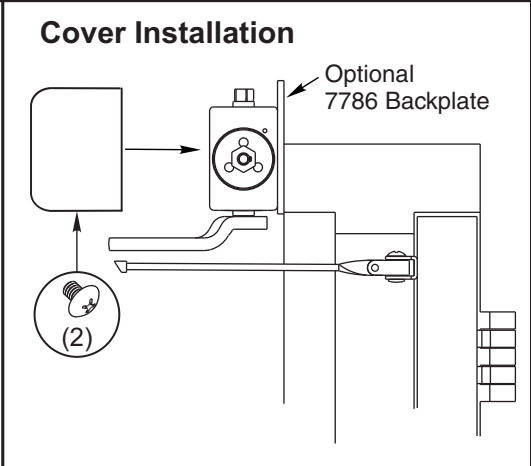
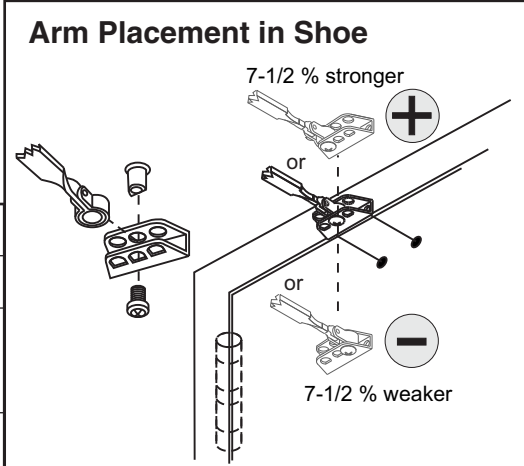
Non Hold Open Door Closers — Top Jamb

Installation Sequence for Left Hand Door

Note: Closer valves are down for right hand installation.
 Closer valves are up for left hand installation.
 Optional 7786 Backplate required for 2" frame mounting, as shown.



*A longer adjusting rod or different arm might be required due to frame conditions. See "Reveal Range" Chart below.



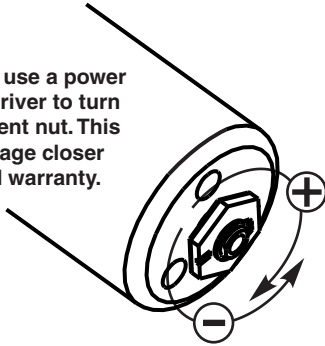
Reveal Range	Door Swing	Model	Complete Arm	Adjusting Rod
Under 3" (76mm)	180°	7500	7701-1	7701-11
3" to 4-1/4" (76 to 108mm)	180°	J7500	7701-1A	7701-11A
4-1/4" to 6-7/8" (108 to 175 mm)	150°			
4-1/4" to 6-7/8" (108 to 175 mm)	180°	JL7500	7701-1B	7701-11B

7500 Series

Spring Power Adjust



DO NOT use a power drill or driver to turn adjustment nut. This will damage closer and void warranty.



Install closer per instructions with the proper pre-load applied to the arm then adjust spring power. The power adjustment will not work properly if the closer spring is not pre-loaded.

To increase power, use 11/16" wrench to turn power adjustment nut clockwise. To decrease power, turn nut counter clockwise.



The closing force for series 7500 door closer is adjustable from a size 1 to a size 6, as outlined in ANSI Standard A156.4. When these series of door closer is installed and adjusted to conform to ADA reduced opening force requirements (5 lbs max.) for interior doors, they may not have adequate closing force to reliably close and latch the door. Power adjustments charted on this page are recommended where possible, to ensure proper door control.

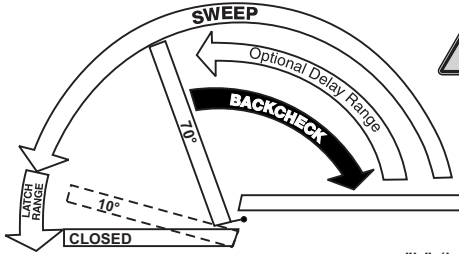
Power Adjustment Chart

Maximum Interior Door Size inches / (mm)	Maximum Exterior Door Size inches / (mm)	Turns from Zero
32 / (813)	28 / (711)	5
36 / (914)	34 / (864)	8-1/2
42 / (1067)	38 / (965)	11
52 / (1321)	42 / (1067)	13-1/2
60 / (1524)	48 / (1219)	16-1/2

NOTE: Maximum of 16-1/2 turns (360°) of Power Adjustment Nut.



By law the Americans with Disabilities Act (ADA) may require that door closer installation comply with accessibility guidelines.



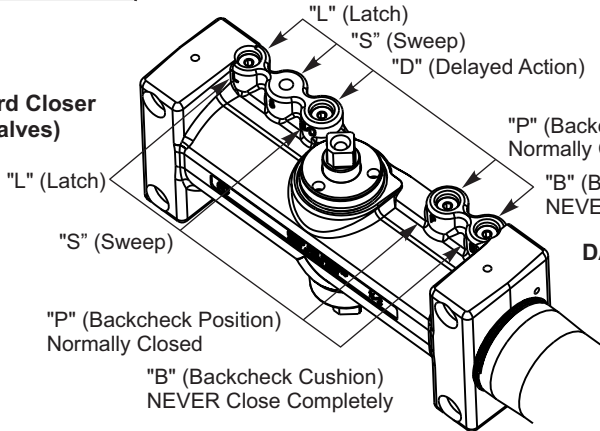
Adjust Closing Speed Time to between 3 to 7 seconds from 90°. Use of the door by handicapped, elderly or small children may require greater closing time.



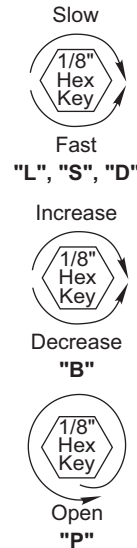
Use 1/8" hex key for these adjustments.

Do not force valves counter-clockwise out of closer body or a fluid leak will occur.

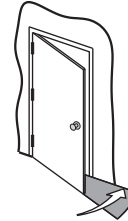
Standard Closer (4 Valves)



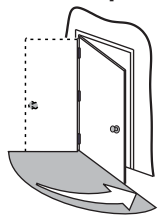
DA Option Closer (5 Valves)



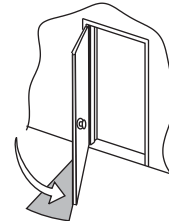
Latch



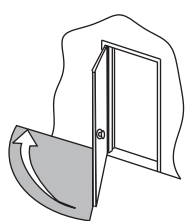
Sweep



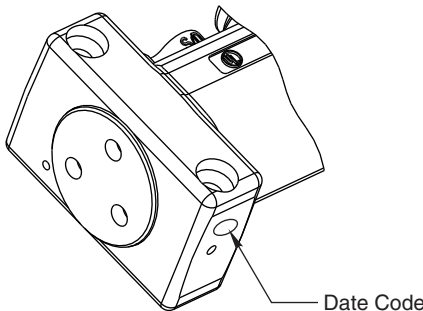
Delayed Action (Optional)



Backcheck



To Identify Date Code:



ASSA ABLOY

3000 Highway 74 East • Monroe, NC 28112
Tel: (877)-974-2255 • Fax: (800)-338-0965
www.nortondoortcontrols.com

ASSA ABLOY, the global leader in door opening solutions

80-9377-1218-020 (09-14)