

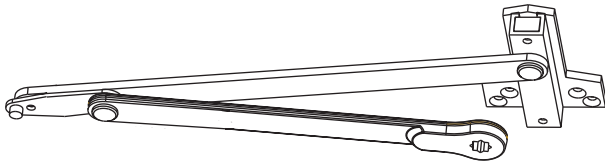
DC3210 Series

Multi-Sized 1 thru 6

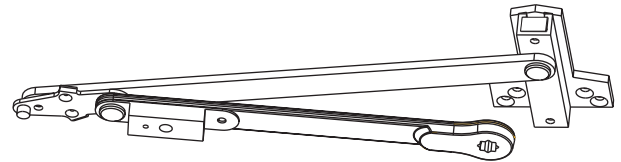
Installation Instructions



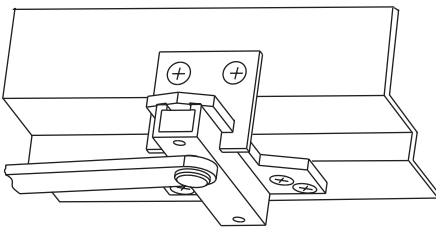
Universal Door Closers
with Heavy Duty
Spring Stop Parallel Arms



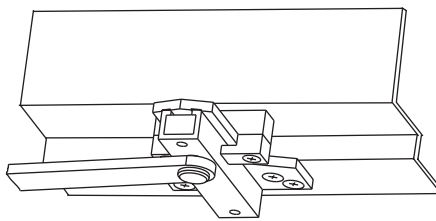
A11 - Non-Hold Open Arm



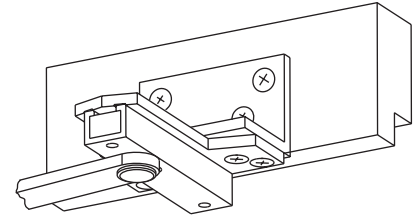
A12 - Hold Open Arm



**STANDARD APPLICATION
WITH 615F58 BRACKET**



**DEEP REVEAL APPLICATION WITH
M103 OPTION(615F59 CLAMP KIT)**



**FLUSH PARTITION APPLICATION WITH
M104 OPTION (615F60 BRACKET)**

IMPORTANT:

- An improperly installed or incorrectly adjusted door closer may cause **property damage** or **personal injury**; and will void product warranty.
- To avoid personal injury, **DO NOT DISASSEMBLE THIS DOOR CLOSER BODY.**
- Door closers must be securely fastened to a properly reinforced door and frame with fasteners provided.
- Door closers with a HOLD OPEN ARM are not permitted to be installed in fire door assemblies.
- Door and frame must be specifically templated for 85°, 90°, 95°, 100°, 105° or 110° door swing.

Size of Door & Door Closer					
Type of Installation	Interior	Exterior In -swinging	Exterior Out -swinging	Recommended Closer Size	**Max. Opening Force lbs/f
Parallel Arm	2'4"	_____	_____	1	8
	2'6"	_____	_____	2	14
	3'0"	_____	2'6"	3	16
	3'6"	_____	3'0"	4	22
	4'0"	_____	3'6"	5	24
	4'6"	_____	4'0"	6	26

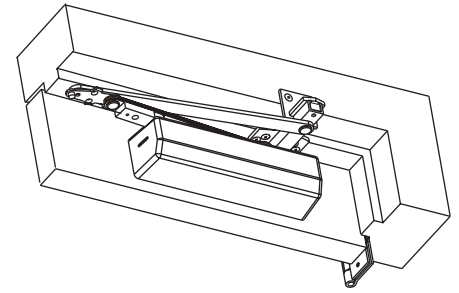


****NOTE:** These forces are for standard templating with bearing type hinges and do not account for pressure differentials and draft.

Installation Instructions

Parallel Arm Application A11 or A12 Arm

SEE CHART TO SELECT DEGREE OF DOOR OPENING AND DOOR WIDTH FOR YOUR DOOR. THEN, DETERMINE FRAME CONDITION: STANDARD & DEEP REVEAL (use Dim's A & B) or FLUSH PARTITION (use Dim's A & C)



*Dimension "C" is only used for Flush Partition application (Frame Template 1C).

Opening		DOORS 28" TO 32" 615F52 NHO ARM (A11) 615F51 HO ARM (A12)			DOORS 33" TO 41" 615F54 NHO ARM (A11) 615F53 HO ARM (A12)			DOORS 42" TO 48" 615F56 NHO ARM (A11) 615F55 HO ARM (A12)		
HOLD OPEN	DEAD STOP	Dim. A	Dim. B	*Dim. C	Dim. A	Dim. B	*Dim. C	Dim. A	Dim. B	*Dim. C
85°	90°	11 (279)	10 (254)	10-1/8(257)	13-1/8(333)	12-1/4(311)	12-3/8(314)	15-1/8(384)	14-3/8(365)	14-1/2(368)
90°	95°	10-1/2(267)	9-1/2 (241)	9-5/8 (244)	12-5/8(321)	11-5/8(295)	11-3/4(298)	14-1/2(368)	13-3/4(349)	13-7/8(352)
95°	100°	10 (254)	9 (229)	9-1/8 (232)	12 (305)	11-1/8(283)	11-1/4(286)	13-7/8(352)	13-1/8(333)	13-1/4(337)
100°	105°	9-1/2 (241)	8-1/2 (216)	8-5/8 (219)	11-5/8(295)	10-5/8(270)	10-3/4(273)	13-1/4(337)	12-1/2(318)	12-5/8(321)
105°	110°	9 (229)	8 (203)	8-1/8 (206)	11 (279)	10-1/8(257)	10-1/4(260)	12-3/4(324)	12-1/8(308)	12-1/4(311)
110°	115°	8-1/2 (216)	7-1/2 (191)	7-5/8 (194)	10-1/2(267)	9-1/2 (241)	9-5/8 (244)	12-1/4(311)	11-1/2(292)	11-5/8(295)

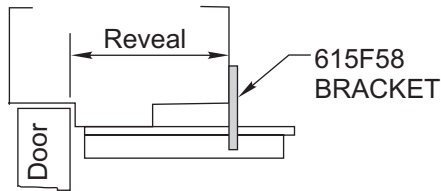
1. Template

Mark Door and Jamb (for closer bracket and arm brackets).

FRAME TEMPLATE 1A (STANDARD APPLICATION with 615F58 BRACKET)

For Deep Reveal use
Frame Template 1B, see Page 3.
For Flush Partition use
Frame Template 1C, see Page 3.

Frame Reveals 1-7/8" to 4-5/8"
(48mm to 117mm)



Door Preparation is Typical for
all Frame Templates
1A, 1B, and 1C

NOTES:

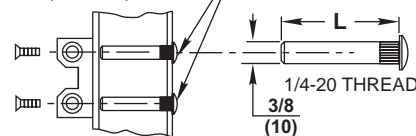
- Check hand of door, see page 1.
- Right Hand Application Shown Left Hand Opposite
- Dimensions given in inches (mm). Do Not Scale Drawing.
- Closer must be installed in a true horizontal plane to ensure proper closer performance.

MOUNTING SCREW SPECIFICATIONS ARM AND CLOSER BRACKET

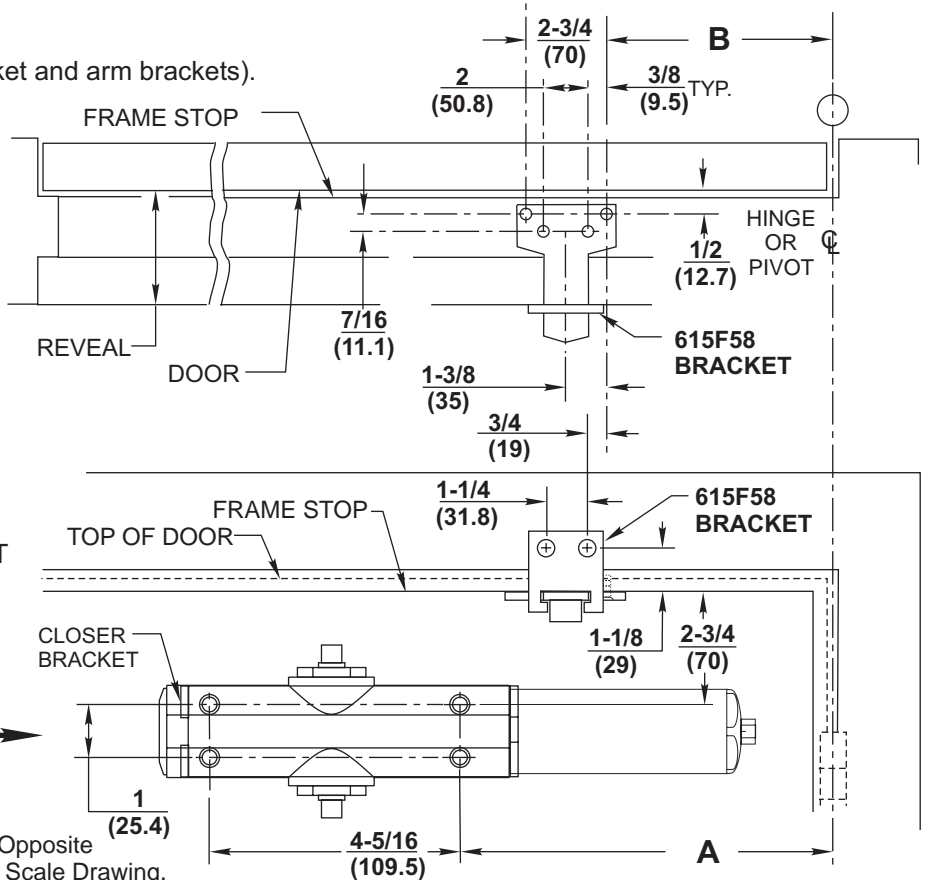
1/4-20 oval head machine screw or 1/4-14 self-drilling screw Type BSD. 3/16 (4.8) diameter pilot hole required for Wood Applications.

Option M54:
Sex nuts, furnished
when ordered

Drill thru 9/32 (7.1) Enlarge to 3/8 (9.5) Dia. This Side Only (4 Places)



DOOR THICKNESS	SEX NUT LENGTH "L"
1-3/8" (35mm)	1-9/32" (33mm)
1-3/4" (44mm) & OVER	1-21/32" (42mm)

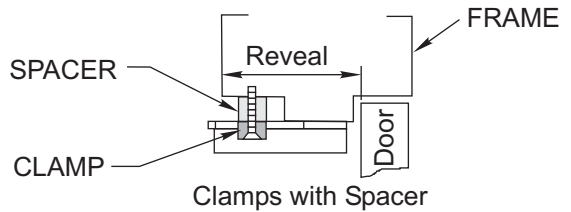
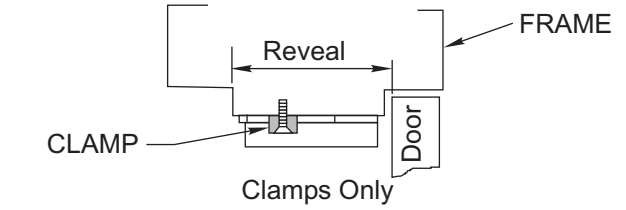
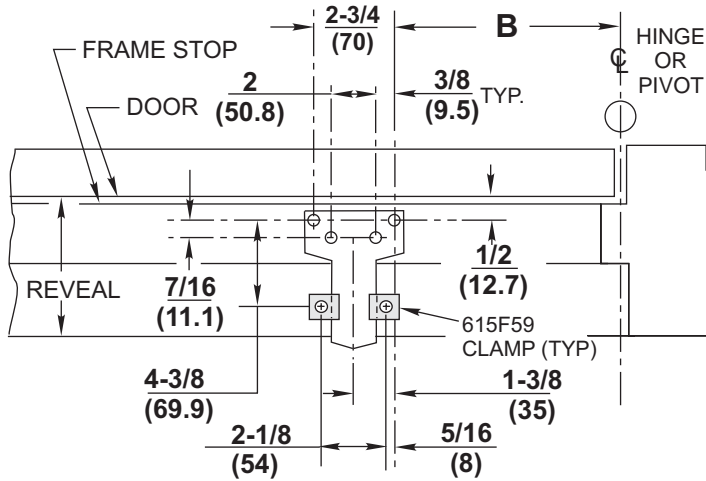


Installation Instructions

Parallel Arm Application A11 or A12 Arm

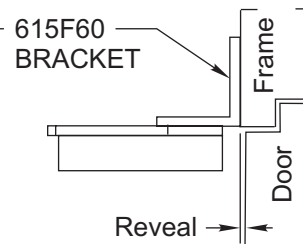
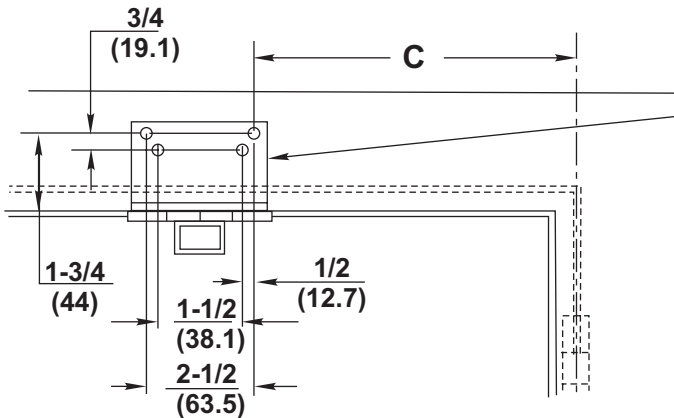
FRAME TEMPLATE 1B DEEP REVEAL APPLICATION with M103 OPTION (615F59 CLAMP KIT)

Frame Reveals Over 4-5/8" (117mm)

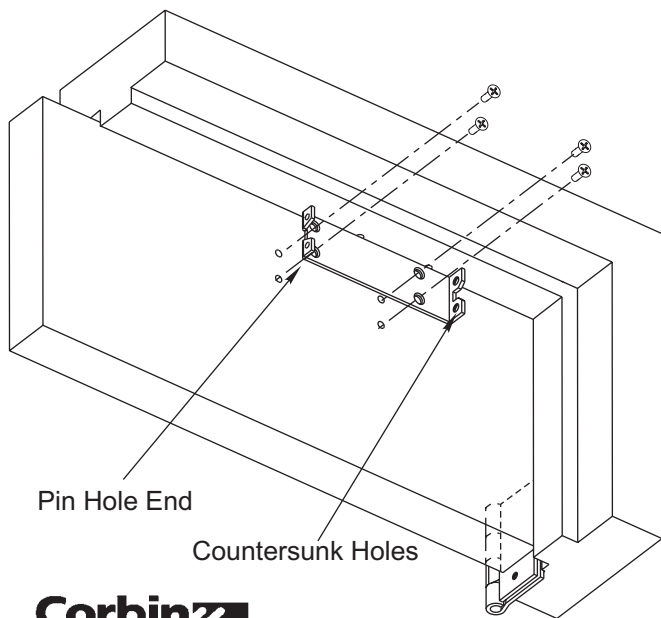


FRAME TEMPLATE 1C FLUSH PARTITION APPLICATION with M104 OPTION (615F60 BRACKET)

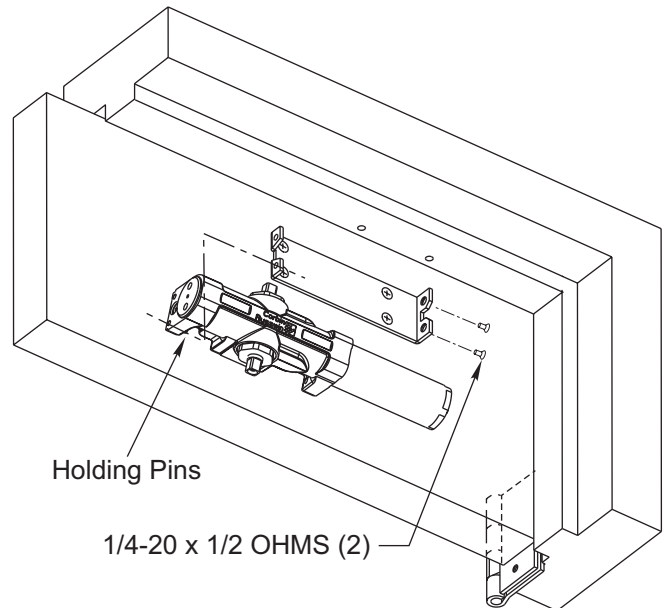
Frame Reveals 0" to 1/8" (0mm to 3mm)



2. Install Closer Bracket



3. Mount Closer Body to Closer Bracket



Installation Instructions

Parallel Arm Application A11 or A12 Arm

4. Fasten Arm Brackets to Frame

For Frame Templates "1A" and "1B" fasten main arm bracket to frame. Locate and install reinforced brackets 615F58 (1A) or 615F59 Kit (1B).

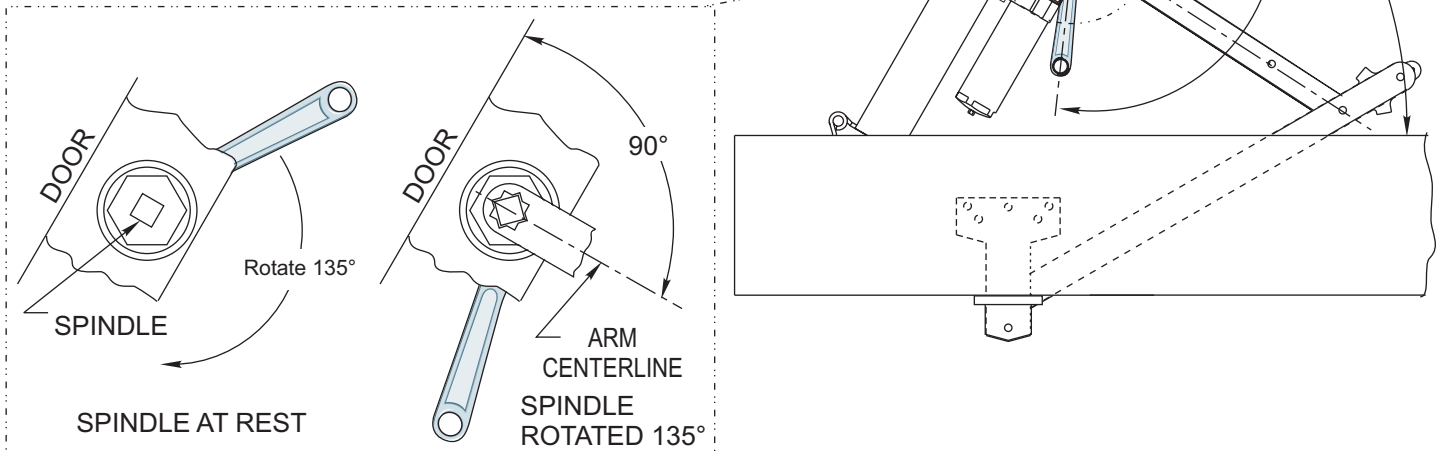
For Frame Template "1C" fasten Flush Partition Bracket 615F60 to frame face and install main arm bracket to the 615F60 Bracket.

5. Connect Arm To Closer

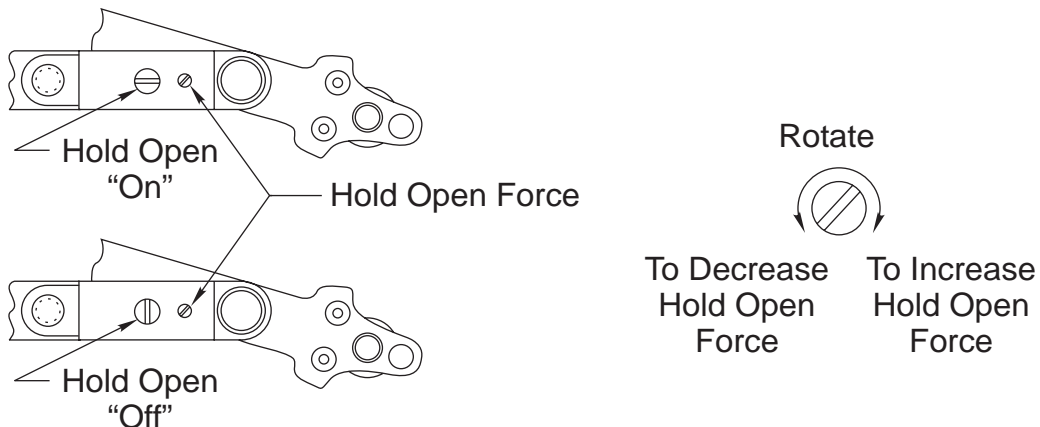
Using hex wrench provided, close (turn clockwise) CLOSING SPEED VALVE (see page 4 for location on closer). **DO NOT OVER TIGHTEN.**

- Open door to approximately 60°
- Using wrench on underside of spindle, rotate spindle approximately 135° toward hinge edge of door.
- Install arm on spindle at an approximate 90° angle to door.
- Reopen CLOSING SPEED VALVE.
- Install and tighten arm washer and screw.

ALL ANGLES SHOWN ARE APPROXIMATE



HOLD OPEN ADJUSTMENTS - A12 ARMS ONLY



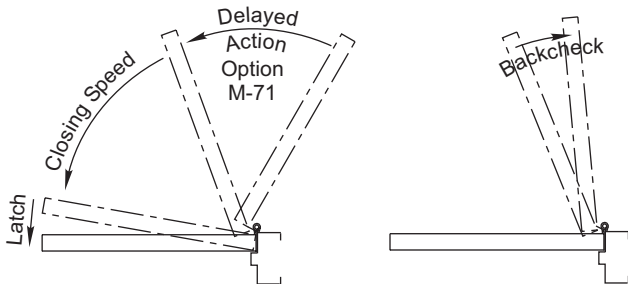
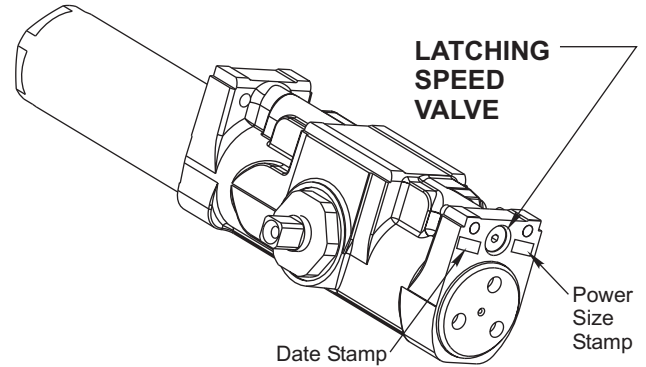
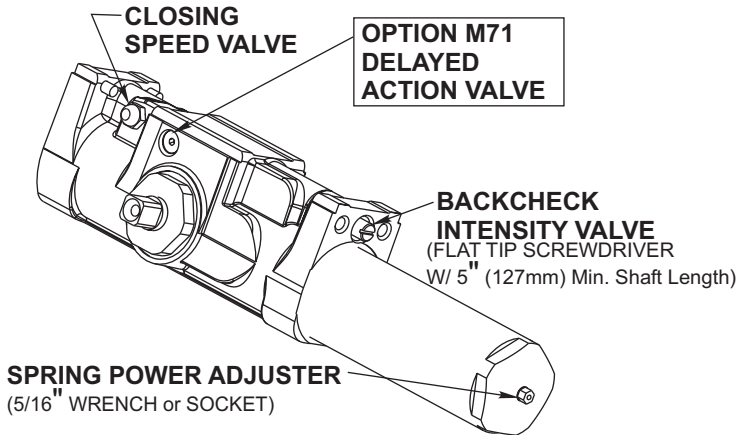
Spring Power Adjustment

Locate spring power adjuster from Illustration below
DC3200 Size 1 thru 6 Adjustment See Chart

Interior	Size of Door		No. of Full (360°) Turns Clockwise of Power Adjuster	Equivalent Closer Size (Approx.)
	Exterior In Swing	Exterior Out Swing		
2' 4" (712)	2' 6" (764)		4	2
2' 6" (764)	3' 0" (915)		8	3
3' 0" (915)	3' 6" (1067)	2' 6" (764)	12	4
3' 6" (1067)	4' 0" (1219)	3' 0" (915)	16	5

DC3200 SPRING POWER ADJUSTMENT CHART

- All DC3200 closers are factory set at an approximate **Size 3**.
- Adjust closer as necessary for door size using this chart.
- Readjustment may be required to suit prevailing conditions.



Closing Speed Valve (3/32 Allen Wrench Provided)

To adjust speed of door closing from fully open to a position 2" to 5" from closed, turn Closing Speed Valve **CLOCKWISE** to SLOW closing, **COUNTER-CLOCKWISE** to SPEED closing.

Latching Speed Valve (3/32 Allen Wrench Provided)

After closing speed has been obtained, turn latching speed valve **CLOCKWISE** to SLOW latching or **COUNTER-CLOCKWISE** to SPEED latching for last 2" to 5" of door travel.

NOTE: Set combination of CLOSING and LATCHING speeds to between 3 and 7 seconds Use of door by handicapped, elderly or small children, may require even greater closing time.

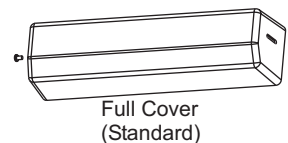
Backcheck Intensity Valve

Turn valve **COUNTER-CLOCKWISE** to reduce backcheck or **CLOCKWISE** to increase backcheck. (Backcheck should be set to give a soft cushioning action, not a sudden stop).

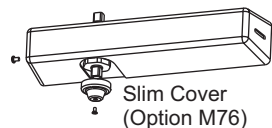
Delayed Action Valve (3/32 Allen Wrench Provided)

Turn valve **CLOCKWISE** to SLOW closing, **COUNTER-CLOCKWISE** to SPEED closing. Delayed action may be adjusted from 20 seconds to 90 seconds, depending on degree of door swing. Delay occurs at the beginning of the door closing cycle from fully open down to 70°, where the closing speed valve then begins its control.

Installing Cover



Slip cover over closer. Hold tightly against closer mounting surface. Secure on each side with 6-32 x 1/4" PBHMS screws.



Slim Cover Option M76 only Position spindle cap over unused spindle and secure with truss head screw.