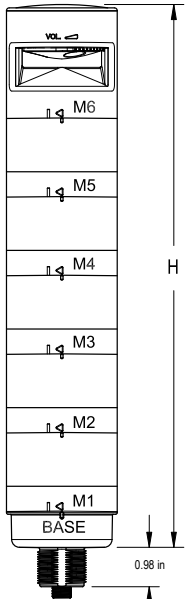


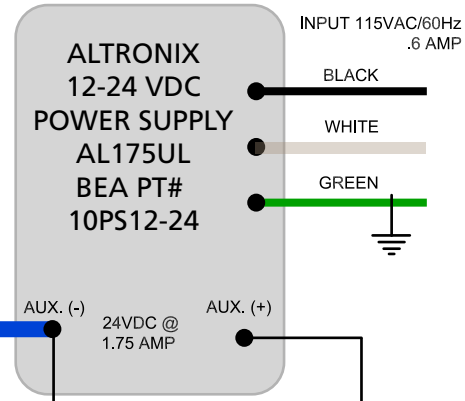
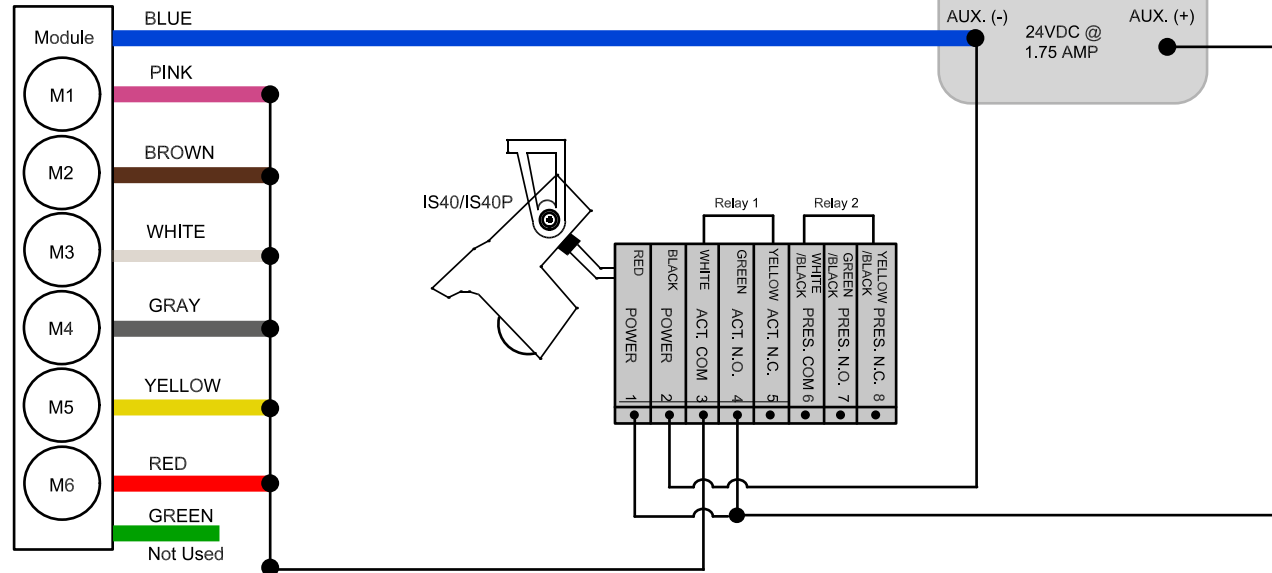
LED MODULAR SIGNAL LIGHT W/ IS40



Model	Height (H)
1 light module	3.45 in
1 light module, 1 audible module	5.68 in
2 light modules	5.41 in
2 light modules, 1 audible module	7.64 in
3 light modules	7.36 in
3 light modules, 1 audible module	9.59 in
4 light modules	9.32 in
4 light modules, 1 audible module	11.55 in
5 light modules	11.28 in
5 light modules, 1 audible module	13.5 in

1 Relay Sensors
Falcon
Sparrow
Colibri

2 Relay Sensors
IS40
IS40P
LZR-i30 & LZR-s600



FEATURED



10LIGHT-A
10LIGHT-T(X)
10LIGHT-TBASE



10LIGHTBRACKET-TL70

NOTES

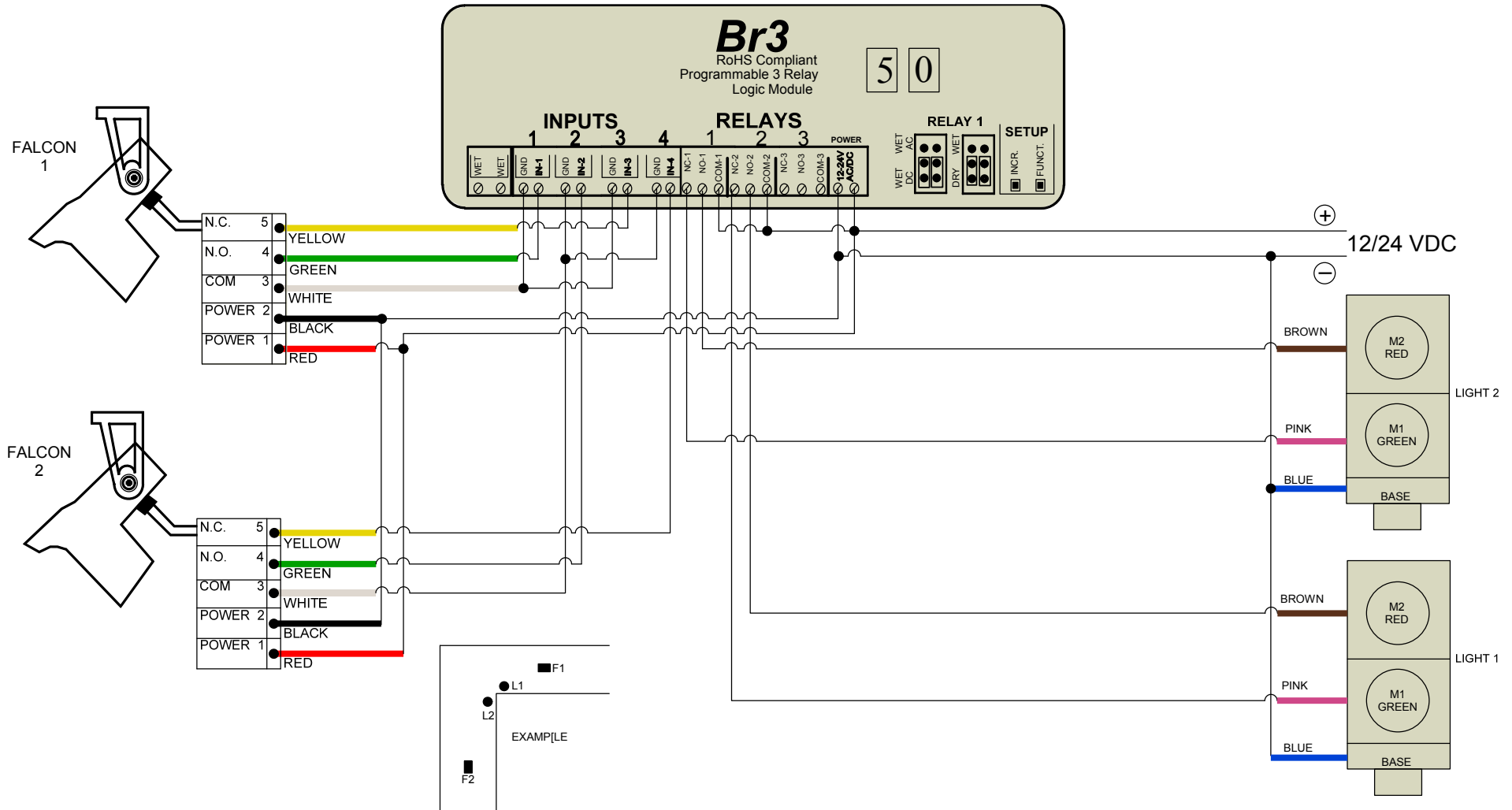
- 1) IN THIS EXAMPLE THE ACTIVATION RELAY OF THE IS40 POWERS ALL SIX MODULES.
- 2) UTILIZE BR3 LOGIC MODULE FOR SIGNAL TIME DELAY, SEQUENCING, RELAY PRIORITY/TIMING.
- 3) REFER TO APPROPRIATE SENSOR USER GUIDE FOR SPECIFIC WIRING INFORMATION.

IF AFTER TROUBLESHOOTING A PROBLEM A SATISFACTORY SOLUTION CANNOT BE ACHIEVED, PLEASE CONTACT BEA, INC. FOR FURTHER ASSISTANCE.
DURING BUSINESS HOURS (8AM - 5PM EST): 1.800.523.2462 AFTER HOURS CALL: 1.866.836.1863 OR 1.800.407.4545 EST

1.888.308.8843 MIDWEST
1.888.419.2564 WEST COAST

DO NOT LEAVE ANY PROBLEM UNRESOLVED. IF YOU MUST WAIT FOR THE FOLLOWING WORKDAY TO CONTACT BEA, INC., LEAVE THE DOOR INOPERABLE UNTIL SATISFACTORY REPAIRS CAN BE MADE. NEVER SACRIFICE THE SAFE OPERATION OF THE AUTOMATIC DOOR OR GATE FOR AN INCOMPLETE SOLUTION.

BR3 & FALCONS WITH RED/GREEN LIGHT INTERSECTION



NOTES

Description of Functionality

When Falcon 1 detects Fork Truck Traffic, it will change Light 2 from Green to Red, and at the same time, prevent Falcon 2 from changing Light 1 from Green to Red and vice versa.

Questions? Contact BEA today to discuss alternative configurations or troubleshooting!
Call 1.800.523.2462 or Email info@beainc.com