

# 5016N Series Door Closers

## Premier Product

The Arrow 5016N Series Surface Applied Door Closers are ideal for use in commercial and institutional facilities where there is a demand for reliability and flexibility. Arrow offers multiple options for compliance with barrier-free codes for interior or exterior doors.

### Compliance:

- UL/cUL listed.
- Meets the requirements of UL10C and UBC7.2 (1997) for positive pressure.
- Meets the requirements of ANSI A156.4 and ANSI ICC A117.1. Grade 1
- Meets ADA requirements (Americans with disabilities Act).



Look for the universal symbol next to Arrow products that comply with ADA accessibility requirements.

### Sizes (Adjustable):

- 5016N– Adjustable sizes 1 through 6, Standard Arm or Hold Open Arm.

Interior Door Width	24"	30"	34"	38"	48"	54"	60"
	(610mm)	(762mm)	(865mm)	(965mm)	(1219mm)	(1372mm)	(1524mm)
Regular Arm & Top Jamb	Size 1	Size 2	Size 3	Size 4	Size 5	Size 6	
Parallel Arm	Size 2	Size 3	Size 4	Size 5	Size 6		

Exterior (& Vestibule) Door Width	24"	30"	36"	42"	48"
	(610mm)	(762mm)	(914mm)	(1067mm)	(1219mm)
Regular Arm & Top Jamb	Size 3	Size 4	Size 5	Size 6	
Parallel Arm	Size 4	Size 5	Size 6		

### Features:

- Cast aluminum body.
- Hardened steel rack and pinion.
- High tensile steel springs.
- Staked valves
- Two non-critical adjusting valves (sweep and latch) control closing speed.
- Backcheck intensity valve.
- All temperature fluid.
- Available with a full plastic cover or a slim plastic cover (specify "S" suffix)..
- Non-handed for regular, top jamb and parallel arm mount applications.
- Hold open arm available on adjustable closers.

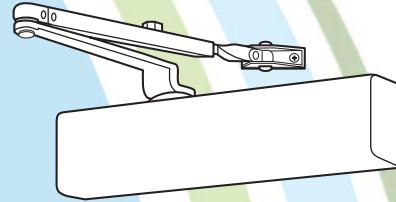
- Available with optional delayed action adjusted with separate independent valve. Delays door closing to allow unimpeded passage through the opening. Specify "D" suffix
- Supplied with machine screws, fully threaded self-reaming/tapping screws, sleeve nuts and thru-bolts for 1-3/4" thick doors.
- Packaging: one per box and four boxes per carton.
- 10 year limited warranty.

### Finishes:

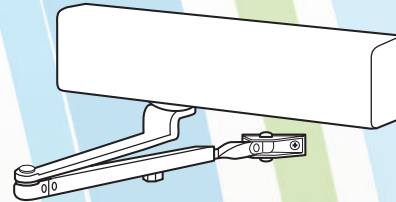
- Aluminum (689), Specify **AL**
- Dark Bronze (690), Specify **DBZ**
- Light Bronze (691), Specify **LBZ**
- Gold (696), Specify **GL**
- Black (693), Specify **BLK**



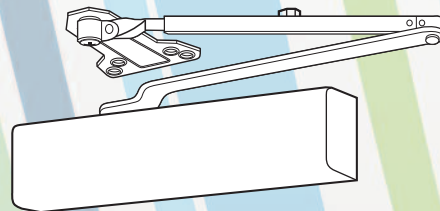
### Regular Arm Installation



### Top Jamb Installation

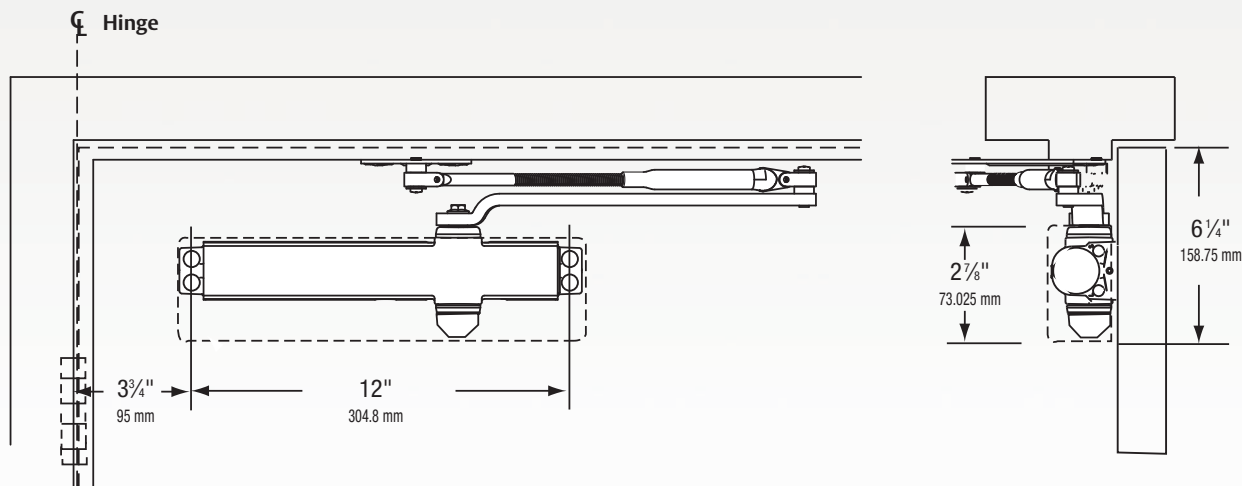


### Parallel Arm Installation



# 5016N Series Door Closers

## Premier Product



## How to order the 5016N Series

### Ordering Example:

Quantity	Part Number	Finish
20	5016N	• AL

### Complete Units:

	Part No.
Tri-Pack, Slim Plastic Cover, Standard Arm, Sizes 1-6.....	5016NS
Tri-Pack, Full Plastic Cover, Standard Arm, Sizes 1-6.....	5016N
Tri-Pack, Slim Cover, Standard Arm, Sizes 1-6, Delayed Action.....	5016NSD
Tri-Pack, Full Cover, Standard Arm, Sizes 1-6, Delayed Action.....	5016ND
Tri-Pack, Slim Plastic Cover, Hold Open Arm, Sizes 1-6.....	5016NSH
Tri-Pack, Full Plastic Cover, Hold Open Arm, Sizes 1-6.....	5016NH
Tri-Pack, Slim Plastic Cover, Hold Open Arm, Sizes 1-6, Delayed Action.....	5016NSHD
Tri-Pack, Full Plastic Cover, Hold Open Arm, Sizes 1-6, Delayed Action.....	5016NHD

### Parts & Accessories:

	Part No.
Drop Plate.....	5016DP
Full Plastic Cover.....	5016FC
Slim Plastic Cover.....	5016SC
5016N Closer Body Only.....	5016BO
5016N Closer Body Only with Delayed Action.....	5016BOD
Through-Bolts for 1-3/8" Thick Door.....	5016TB38
Through-Bolts for 1-3/4" Thick Door.....	5016TB34
Complete Non-Hold Open Arm Assembly (tri-pack).....	5016CNA
Complete Hold Open Arm Assembly (tri-pack).....	5016CHA

Specify Finish: AL, DBZ, LBZ, GL, or BLK