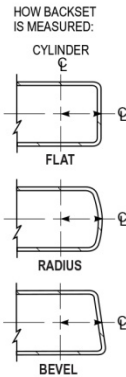
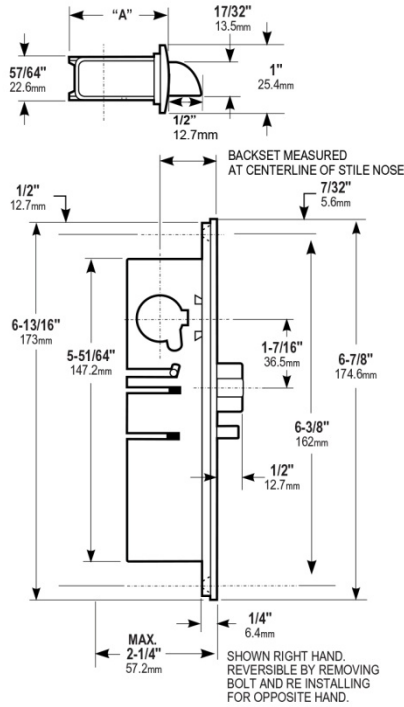


# 4510 Series and 4530 Series Deadlatch Installation Instructions

## 4510 Series

### Dimensions

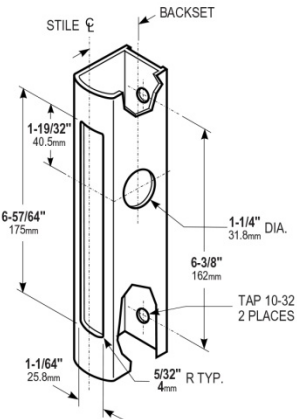


BACKSET	"A"
7/8" 22.2mm	1-33/64" 38.5mm
31/32" 24.6mm	1-19/32" 40.5mm
1-1/8" 28.6mm	1-49/64" 44.8mm
1-1/2" 38.1mm	2-9/64" 54.4mm

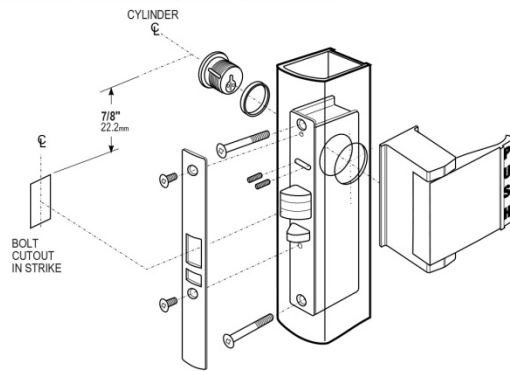
### Installation

#### Stile Preparation

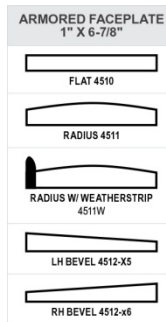
Identical to MS 1850A Series (See also prep for 4590 Paddle)



#### Latch Paddle and Cylinder Installation

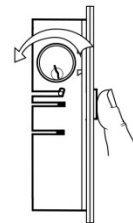


### Available Faceplates



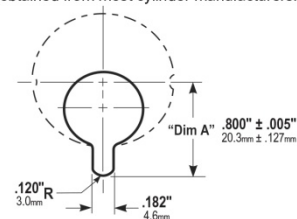
#### Bolt Holdback

While bolt is held fully retracted, a reverse turn of the key retains the bolt, allowing the door to be free swinging.



#### Cylinder Cam

4530 Standard Duty Deadlatches are operable by any standard 1-5/32" diameter mortise cylinder with MS® cam dimensioned as shown. Cylinders with MS® cams can be readily obtained from most cylinder manufacturers.

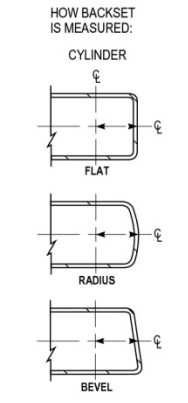
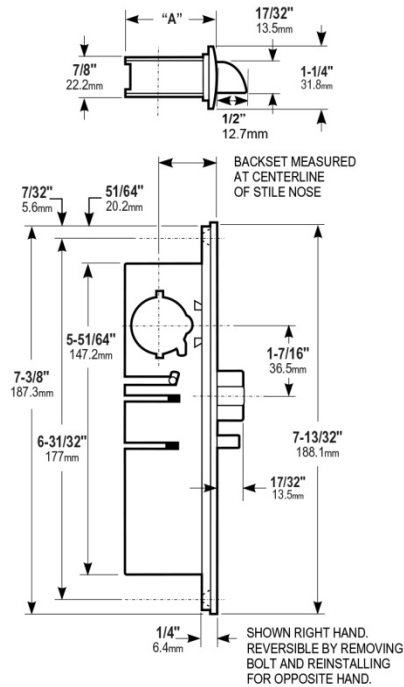


### Related Hardware and Accessories

1. Handle Operators – Specify 4560, 4561, 4565, 4568, or 4590
2. Cylinders are available from Adams Rite keyed different or keyed alike in pairs.
3. Cylinder Guard – Specify MS 4043
4. Optional Strikes  
See Catalog for additional details.

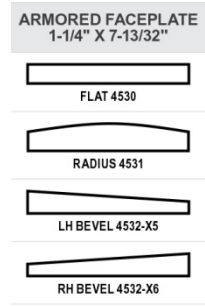
# 4530 Series

## Dimensions



BACKSET	"A"
7/8" 22.2mm	1-33/64" 38.5mm
31/32" 24.6mm	1-19/32" 40.5mm
1-1/8" 28.6mm	1-49/64" 44.8mm

## Available Faceplates



## Related Hardware and Accessories

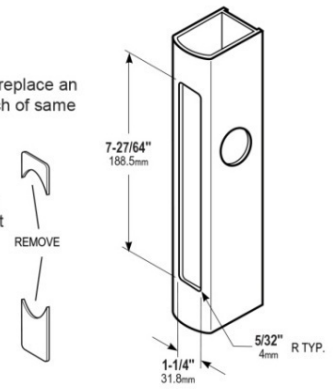
1. Handle Operators – Specify 4560, 4561, 4565, 4568, or 4569
2. Cylinders are available from Adams Rite keyed different or keyed alike in pairs.
3. Optional Strikes

See Catalog for additional details.

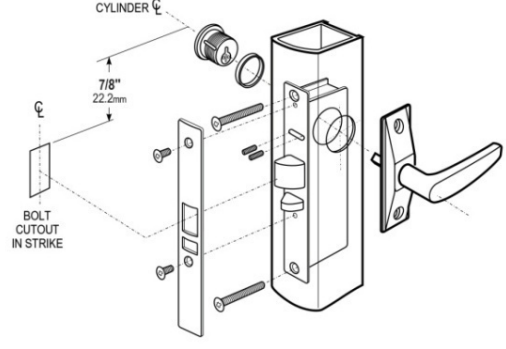
## Installation

### Stile Preparation

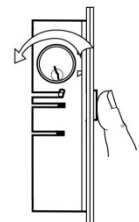
- NOTE 1:** No preparation is required to replace an old MS1850 lock or 4250 latch of same backset.
- NOTE 2:** The diagram shows the preparation to replace 4070 lock, old 4050 latch, 970 lock, or 1450 latch of same backset



### Latch Paddle and Cylinder Installation



**Bolt Holdback**  
While bolt is held fully retracted, a reverse turn of the key retains the bolt, allowing the door to be free swinging.



**Cylinder Cam**  
4530 Standard Duty Deadlatches are operable by any standard 1-5/32" diameter mortise cylinder with MS® cam dimensioned as shown. Cylinders with MS® cams can be readily obtained from most cylinder manufacturers.

