

Checkmate® Stops & Holders

Absolute Door Control and
Entire Opening Protection



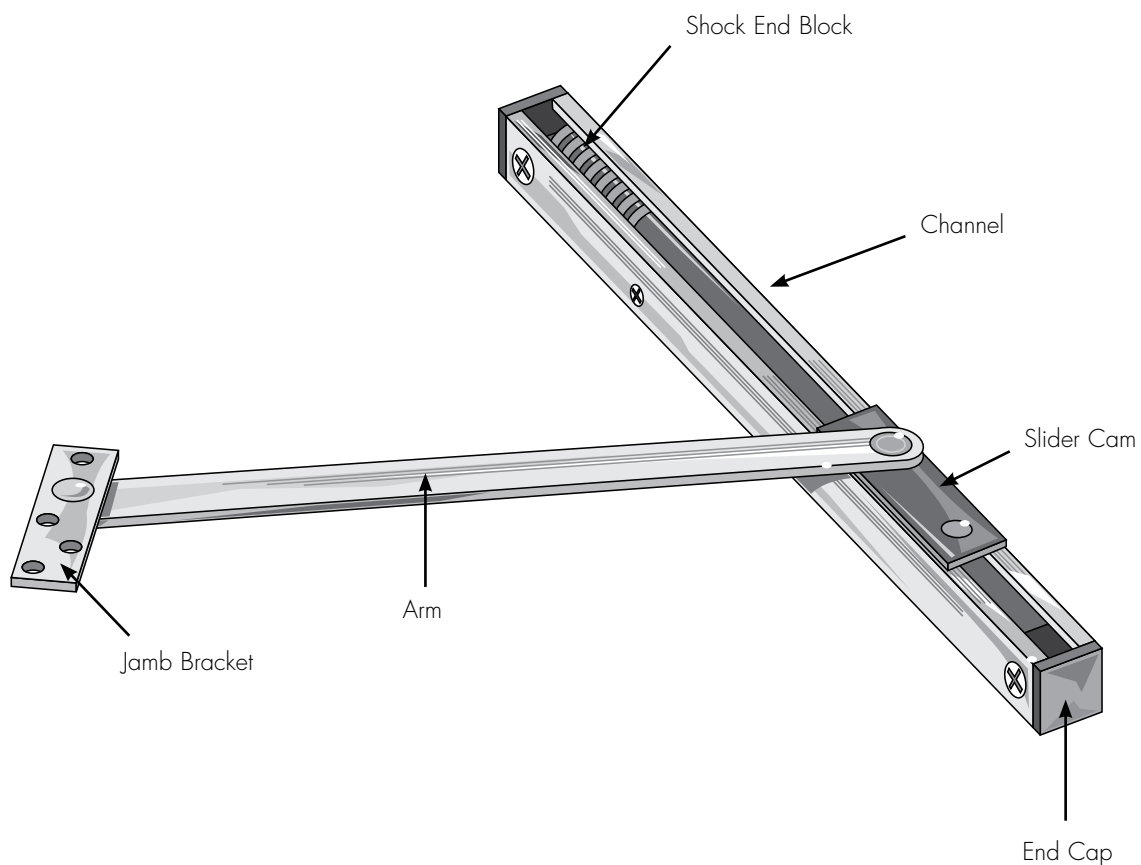
RIXSON
ASSA ABLOY

ASSA ABLOY, the global leader
in door opening solutions

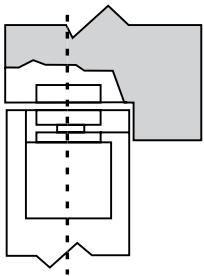
General Information	3
How to Select Product.....	4
Options	5
Certifications	5
Limited Warranty.....	5
Specifications	5
#1 Heavy-Duty Concealed.....	6
#1ADJ Heavy-Duty Concealed Adjustable	7
#2 Standard-Duty Concealed Adjustable	8
#5 Standard-Duty Concealed	9
#6 Low Profile Concealed	10
#6ADJ Low Profile Concealed Adjustable	11
#7 Surface Cantilever Holder	12
#8HD Extra Heavy-Duty Double Lever	13
#9 Heavy-Duty Surface.....	14
#9ADJ Adjustable Heavy-Duty Surface.....	15
#10 Standard-Duty Surface Adjustable	16
#55 Standard-Duty Surface	17
Parts Drawings	18
How to Order.....	19

Checkmate® overhead stops and holders are used to extend the life of the door, frame and any door closing devices. They may be necessary if there are strong winds, high traffic or abuse.

- When used in conjunction with a floor closer, you have absolute door control, top and bottom
- Provides positive deadstop at selected degree
- There are three functions, four ways to order
 - Friction Stay – used on doors without closers to keep doors open
 - Hold Open – door remains held open near deadstop location
 - Stops – door deadstops at a particular degree of opening
 - Multi Function – adaptable as hold open and/or stops
- Available as surface mounted or concealed
- Standard mount on push side of door (see model descriptions for pull side installations)
- Thru bolts are furnished with all surface models and must be used for installation.



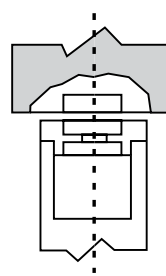
CONCEALED MOUNTING



Method A – Standard Installation, Single Acting Nos. 1, 1ADJ, 2, 5, 6, 6ADJ Series

For single acting doors, the jamb bracket is mortised into the frame and the channel mortised into the top of the door. Both the bracket and channel are secured with wood or machine screws.

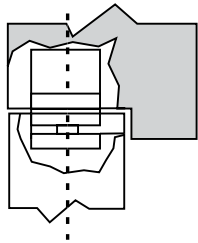
A cutout for the arm is required on the stop side of the door only. A hole must be drilled for the control knob of the No. 1 Series holder only.



Method B – Standard Installation, Double Acting Nos. 1, 1ADJ, 2, 5, 6, 6ADJ Series

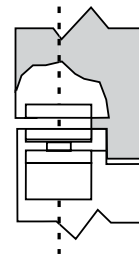
For double acting center hung floor closer or pivot applications.

Mounting is similar to Method A, with the exception that the cutout for the arm is required on both sides of the door.



Method C - Inverted Installation, Single Acting Nos. 2, 5 Series

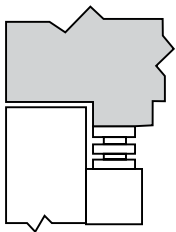
Recommended for doors with minimum top rail depth. The arm and jamb bracket are mortised into the door, and the channel is installed in the header with wood or machine screws. The cutout for the arm is required on the stop side of the door only.



Method D - Rabbeted Door Installation, Single Acting No. 2, 5 Series

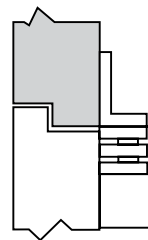
This method is designed for 1-3/4" doors with 1/2" maximum rabbet. The jamb bracket is mortised into the header and the arm and channel are mortised into the door. Wood or machine screws are used for fastening. The cutout for the arm is required on the stop side of the door only.

SURFACE MOUNTING



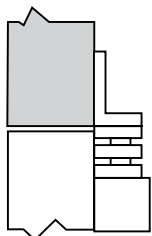
Method No. 1 – Standard Installation (Push side of door) Nos. 8HD, 9, 9ADJ, 10, 55 Series

The jamb bracket mounts on the soffit with wood or machine screws. The channel mounts to the door with sex bolts.



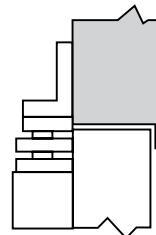
Method No. 2 – Rabbeted Door Installation (Push side of door) Nos. 8HD, 9, 9ADJ, 10, 55 Series

A special angle jamb bracket adapter mounts on the header with wood or machine screws. The jamb bracket attaches to the adapter with machine screws. The channel fastens to the door with sex bolts. **(Same bracket as used with Method 3 and 5. See catalog for bracket number for each model.)**



Method No. 3 - Flush Door Installation (Push side of door) Nos. 8HD, 9, 9ADJ, 10, 55 Series

This method of installation is identical to Method No. 2 for Rabbeted Doors. **(Same bracket as used with Method 2 and 5. See catalog for bracket number for each model.)**



Method No. 5 - Reverse Installation (Pull side of door) Nos. 9, 9ADJ, 10 and 55 Series

The jamb bracket adapter is secured to the header with wood or machine screws. The jamb bracket fastens to the adapter with machine screws and the channel mounts on the door with sex bolts. **(Same bracket as used with Method 2 and 3. See catalog for bracket number.)**

Less Spring – Suffix LS

Heavy-duty slide track type stops have a spring in the end of the channel that keeps the slider from deadstopping. If these units are being used with electromechanical closer, where the door, must deadstop, the LS option is needed. Available only with models 1 and 9.

Angle Jamb Bracket Adapter

Standard-duty models suffix 5258 (non-handed)

Heavy-duty models suffix 5458 (LH) or 5459 (RH)

When surface mounted units are mounted on a rabbeted door on the push side, flush door and transom on the push side, or in a reverse installation on the pull side of the door, a special bracket is needed.

Note: not all models can be mounted on the pull side of the door (see specific model numbers in catalog.)



5258



5458/5459

Security Screws – Suffix Torx®

Security screws can be supplied for exposed fasteners.

CERTIFICATIONS



All Rixson Checkmate® overhead stops and holders are in compliance with ANSI/BHMA A156.8, Grade 1 and 2 Standards. See individual products for sub sections. See individual models for UL Listing.

LIMITED WARRANTY

Rixson Checkmate® stops and holders are warranted for 2 years for defect. See Rixson price book for specific details of the limited warranty.

SPECIFICATIONS

All overhead stops and holders shall be from a single manufacturer.

Standard-duty models used for interior or low to moderate traffic doors.

Heavy-duty models used for exterior or high traffic doors or doors subject to abuse.

For extremely abusive areas or high winds use double lever arm type.

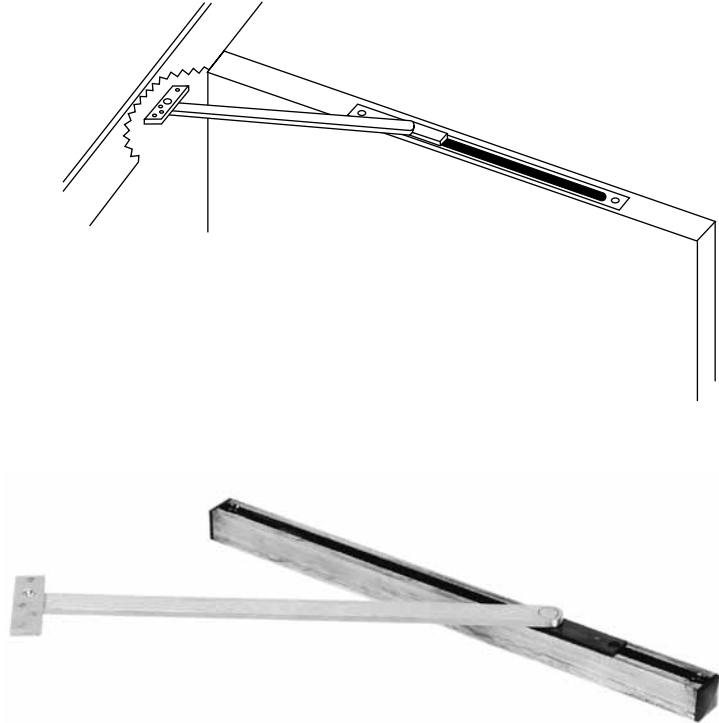
Coordinate deadstop and/or hold open location with concealed floor closers.

Checkmate products provide hold open and/or deadstop.

1 SERIES

Product Description & Features

- Heavy-duty
- Interior or exterior doors
- Doors may be single or double acting
- Non-handed
- Slide track design
- Recommended for high traffic, heavy abuse installations
- Heavy shock absorber spring provides 5 -7° compression before dead stop
- LS option omits spring for special applications
- Surface on/off knob on hold open models
- Stop, friction stay or hold open functions
- Complete screw packet for installation in wood and machine screws for door and frame.
- For security areas, Torx® screws available for exposed fasteners
- Standard architectural finishes
- Durable slider cam and shock block
- 110° maximum opening
- 1-3/4" minimum door thickness, for thicker doors, note thickness when ordering
- 1-3/16" square channel
- Stop function UL listed for fire door assemblies
- Hanging means other than standard butts or offset pivots require special templating and pricing. Consult factory



Door Opening Chart (in inches)

Butts Offset Pivots	Center Hung Pivots	Model Number		
		Friction	H.O.	Stop
*24 - 28	—	1-116	1-126	1-136
28-1/16 - 33	30 - 36	1-216	1-226	1-236
33-1/16 - 38	36-1/16 - 41	1-316	1-326	1-336
38-1/16 - 43	41-1/16 - 46	1-416	1-426	1-436
43-1/16 - 48	46-1/16 - 50	1-516	1-526	1-536

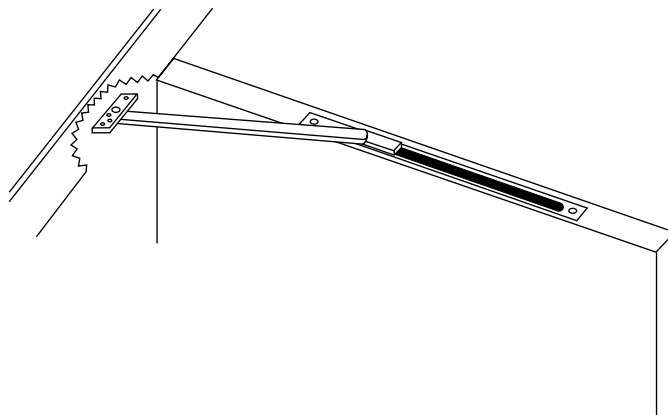
ANSI No.			
Shipping Weight 4.5 lbs.	Friction	H.O.	Stop
	C01531	C01511	C01541

***Butt hung only on this size door. No swing clear hinges.**

1ADJ SERIES

Product Description & Features

- Adjustable, heavy-duty
- Interior or exterior doors
- Doors may be single or double acting
- Non-handed
- Slide track design
- Recommended for high traffic, heavy abuse situations
- Heavy shock absorber spring provides 5-7° compression before dead stop
- Order specifically as a stop or hold open
- Degree of opening is fully adjustable and can be adapted to changing needs
- Complete screw packet kit for installation in wood or metal door and frame
- For security areas, Torx® screws available for exposed fasteners
- Standard architectural finishes
- Durable slider cam and shock block
- 110° maximum opening (except 1ADJ for center hung 30-36" door which is 105°)
- 1-3/4" minimum door thickness, for thicker doors consult factory
- 1-3/16" square channel
- Stop function UL listed for fire door assemblies
- Hanging means other than standard butts or offset pivots require special templating and pricing. Consult factory



Door Opening Chart (in inches)

Butts Offset Pivots	Center Hung Pivots	Model Number	
		H.O.	Stop
*24 - 28	—	1ADJ-126	1ADJ-136
28-1/16 - 33	30 - 36	1ADJ-226	1ADJ-236
33-1/16 - 38	36-1/16 - 41	1ADJ-326	1ADJ-336
38-1/16 - 43	41-1/16 - 46	1ADJ-426	1ADJ-436
43-1/16 - 48	46-1/16 - 50	1ADJ-526	1ADJ-536

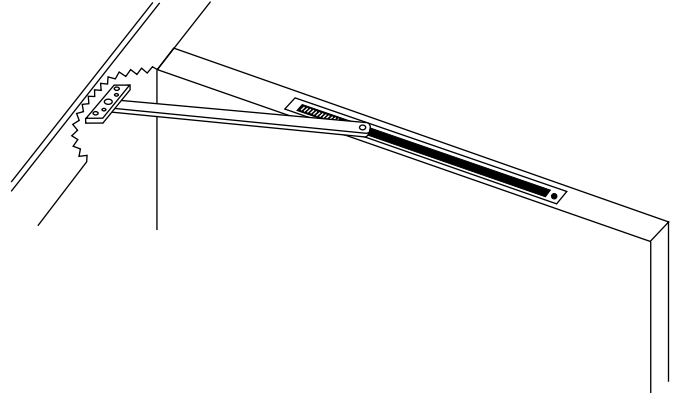
*Butt hung only on this size door. No swing clear hinges.

ANSI No.		
Shipping Weight 4.5 lbs.	H.O.	Stop
	C01511	C01541

2 SERIES

Product Description & Features

- Adjustable, standard duty
- Interior doors
- Doors may be single or double acting
- Non-handed
- Slide track design
- Recommended for moderate traffic, medium weight doors
- Degree of opening is fully adjustable and can be adapted to changing needs
- Heavy shock absorber spring provides 5 -7° compression before dead stop
- Can be ordered specifically as a stop, friction stay, or hold open
- Multi-function unit is shipped as a stop. Can be converted to a hold open or friction in the field. 5012-PKG (Adapter kit) included
- Complete screw packet kit for installation in wood or metal door and frame
- For security areas, Torx® screws available for exposed fasteners, but heavy-duty units should be considered for high security applications
- Standard architectural finishes
- Durable slider cam and shock block
- 110° maximum opening
- 3/4" square channel
- Stop function UL listed for fire door assemblies
- Hanging means other than standard butts or offset pivots require special templating and pricing. Consult factory



Door Opening Chart (in inches)

Butts Offset Pivots	Center Hung Pivots	Model Number			
		Friction	H.O.	Stop	Multi
*18 - 24	—	2-116	2-126	2-136	2-146
24-1/16 - 30	27 - 32	2-216	2-226	2-236	2-246
30-1/16 - 36	32-1/16 - 38-1/2	2-316	2-326	2-336	2-346
36-1/16 - 42	38-9/16 - 45	2-416	2-426	2-436	2-446
42-1/16 - 48	45-1/16 - 48	2-516	2-526	2-536	2-546

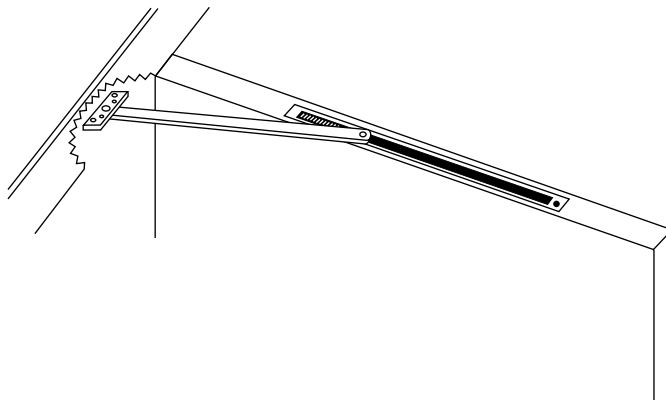
ANSI No.			
Shipping Weight 3.5 lbs.	Friction	H.O.	Stop
	C04532	C04512	C04542

*Butt hung only on this size door. No swing clear hinges.

5 SERIES

Product Description & Features

- Standard duty
- Interior doors
- Doors may be single or double acting
- Non-handed
- Slide track design
- Recommended for moderate traffic, medium weight interior doors
- Degree of opening determined by templating – not field adjustable.
- Heavy shock absorber spring provides 5-7° compression before dead stop
- Complete screw packet allows for installation in wood or metal door and frame
- For security areas, Torx® screws available for exposed fasteners, but heavy-duty units should be considered for high security applications
- Available in 652 and sprayed finishes only
- Durable slider cam and shock block
- 110° maximum opening
- 3/4" square channel
- Hanging means other than standard butts or offset pivots require special templating and pricing. Consult factory



Door Opening Chart (in inches)

Butts Offset Pivots	Center Hung Pivots	Model Number	
		H.O.	Stop
*18 - 24	—	5-126	5-136
24-1/16 - 30	27 - 32	5-226	5-236
30-1/16 - 36	32-1/16 - 38-1/2	5-326	5-336
36-1/16 - 42	38-9/16 - 45	5-426	5-436
42-1/16 - 48	45-1/16 - 48	5-526	5-536

ANSI No.		
Shipping Weight 3.5 lbs.	H.O.	Stop
	C04512	C04542

*Butt hung only on this size door. No swing clear hinges.

6 SERIES

Product Description & Features

- Low profile
- Interior or exterior doors
- Doors may be single or double acting
- Non-handed
- Recommended for moderate traffic, medium weight doors
- Low profile concealed channel designed for installation in aluminum storefront doors
- Heavy shock absorber spring provides 5-7° compression before dead stop
- Complete screw kit allows for installation in wood or metal door and frame
- For security areas, Torx® screws optional
- Standard architectural finishes
- Durable slider cam
- 110° maximum opening
- 1-3/4" minimum door thickness
- Channel is 1-1/4" wide by 1/2" deep
- UL listed for fire door assemblies
- Hanging means other than standard butts or offset pivots require special templating and pricing. Consult factory
- Available in stop function only

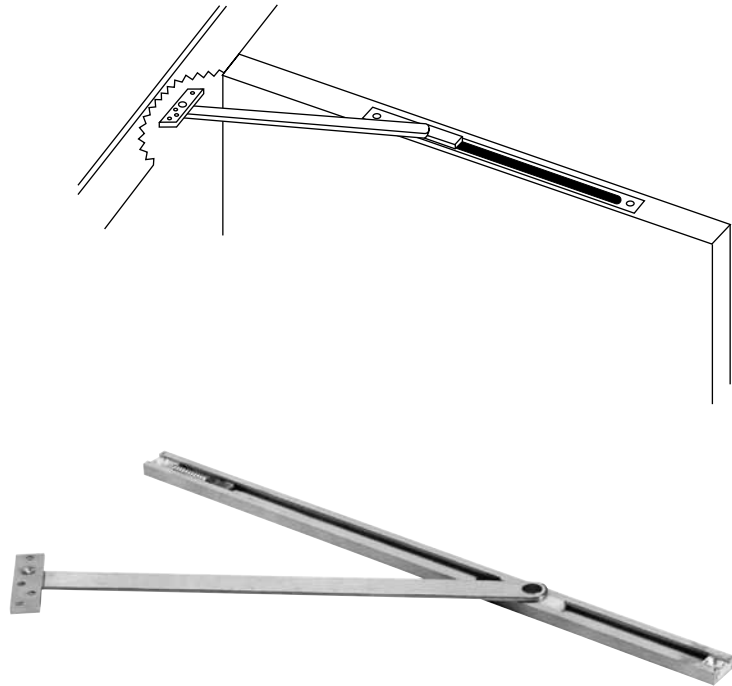


Chart (in inches)

Butts Offset Pivots	Center Hung Pivots	Model Number
Door Opening		Stop
*24 - 28	—	6-136
28-1/16 - 33	30 - 36	6-236
33-1/16 - 38	36-1/16 - 41	6-336
38-1/16 - 43	41-1/16 - 46	6-436
43-1/16 - 48	46-1/16 - 50	6-536

ANSI No.	
Shipping Weight 4.5 lbs.	Stop C01541

***Butt hung only on this size door. No swing clear hinges.**

6ADJ SERIES

Product Description & Features

- Adjustable low profile
- Interior or exterior doors
- Doors may be single or double acting
- Non-handed
- Recommended for moderate traffic, medium weight doors
- Low profile concealed channel design for installation in aluminum doors
- Heavy shock absorber spring provides 5-7° compression before dead stop
- Degree of opening is fully adjustable and can be adapted to changing needs
- Complete screw packet for installation in wood or metal door and frame
- For security areas, Torx® screws available for exposed fasteners
- Standard architectural finishes
- Durable slider cam and shock block
- 110° maximum opening (except 6ADJ for center hung 30-36" door which is 105°)
- 1-3/4" minimum door thickness, for thicker doors consult factory
- Channel is 1-1/4" wide x 1/2" deep
- UL listed for fire door assemblies
- Hanging means other than standard butts or offset pivots require special templating and pricing. Consult factory.
- Available in stop function only

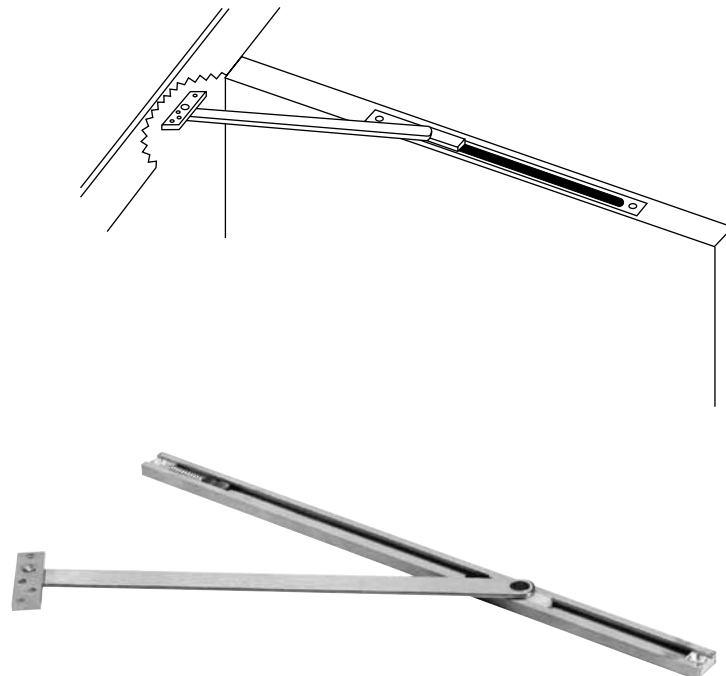


Chart (in inches)

Butts Offset Pivots	Center Hung Pivots	Model Number
		Stop
*24 - 28	—	6ADJ-136
28-1/16 - 33	30 - 36	6ADJ-236
33-1/16 - 38	36-1/16 - 41	6ADJ-336
38-1/16 - 43	41-1/16 - 46	6ADJ-436
43-1/16 - 48	46-1/16 - 50	6ADJ-536

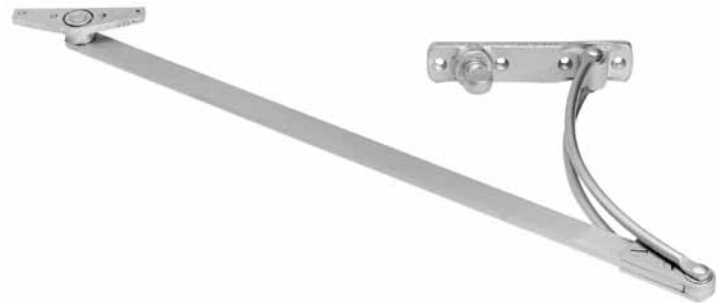
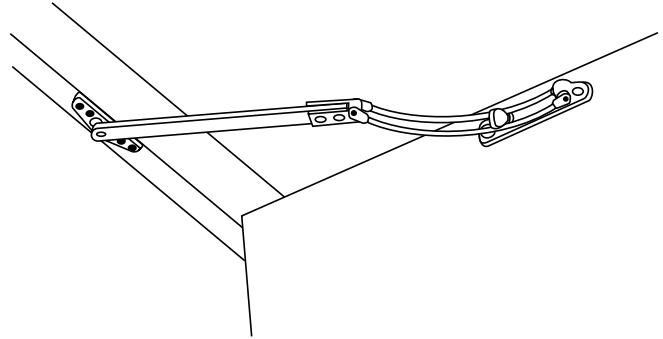
ANSI No.	
Shipping Weight 4.5 lbs.	Stop
	C01541

***Butt hung only on this size door. No swing clear hinges.**

7 SERIES

Product Description & Features

- Industrial duty
- Interior or exterior doors
- Single acting
- Non-handed
- Cantilever design
- Hold open only
- Double spring arm absorbs shock
- Complete screw packet with thru-bolts for door, wood and machine screws for frame
- For security areas, Torx® screws available for exposed fasteners
- Self-lubricating bronze bearings
- Sprayed finishes only
- 110° maximum opening
- Hanging means other than standard butts or offset pivots require special templating and pricing. Consult factory



Door Opening Chart (in inches)

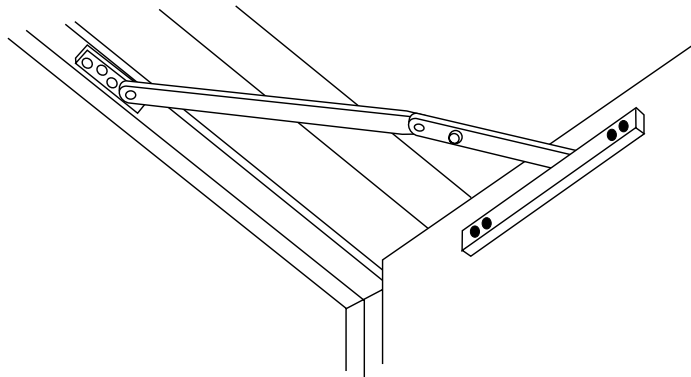
Butts Offset Pivots	Model Number
	Hold Open
24 - 30	7-126
30-1/16 - 34	7-226
34-1/16 - 39	7-326
39-1/16-48	7-426

ANSI No.	
Shipping Weight 7 lbs.	H.O.
	C09551

8HD SERIES

Product Description & Features

- Extra heavy-duty
- Interior or exterior doors
- Single acting doors, push side mounting (only)
- Non-handed
- Double lever design
- Recommended for high traffic, heavy abuse installations
- Extra heavy shock absorber spring provides 6° compression before deadstop
- Available with stop function or thumbturn hold open
- Complete screw packet with thru-bolts for door, wood and machine screws for frame.
- Torx® screws optional for security applications
- Standard architectural finishes
- 110° maximum opening
- 1-3/4" minimum door thickness
- For flush mounting on the push side of the door use angle jamb bracket adapter 5458-LH or 5459-RH
- Cannot be mounted on pull side of door
- Stop function UL listed for fire door assemblies
- Hanging means other than standard butts or offset pivots require special templating and pricing. Consult factory
- Stainless steel base metal only



Door Opening Chart (in inches)

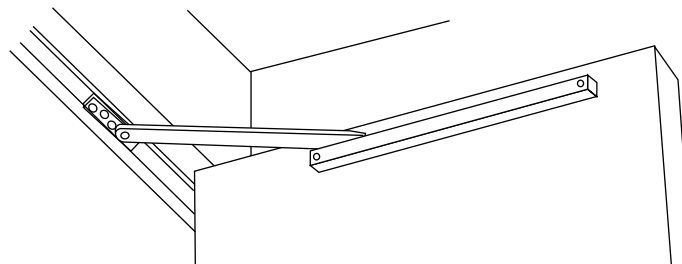
Butts Offset Pivots	Center Hung Pivots	Model Number	
		H.O.	Stop
27-1/16 - 32-1/2	27-9/16 - 35	8-226	8-236
32-9/16 - 38-3/4	35-1/16 - 42-1/2	8-326	8-336
38-13/16 - 42-1/2	41-9/16 - 45	8-426	8-436
42-9/16 - 48	45-1/16 - 48	8-526	8-536

ANSI No.		
Shipping Weight 4.5 lbs.	H.O.	Stop
	C03511	C03541

9 SERIES

Product Description & Features

- Heavy-duty
- Interior or exterior doors
- Doors are single acting
- Non-handed
- Slide track design
- Recommended for high traffic, heavy abuse installations
- Heavy shock absorber spring provides 5-7° compression before deadstop
- LS option omits spring for special application
- On/off knob on hold open models
- Stop, friction stay or hold open function
- Complete screw packet with thru-bolts for door, wood and machine screws for frame
- Torx® screws optional for security applications
- Standard architectural finishes
- Durable slider cam and shock block
- 110° maximum opening
- 1-3/4" minimum door thickness
- 1-3/16" square channel
- Stop function UL listed for fire door assemblies
- For pull side mounting or flush mounting on push side or for rabbeted push side use angle jamb bracket adapter 5458-LH or 5459-RH
- Hanging means other than standard butts or offset pivots require special templating and pricing. Consult factory



Door Opening Chart (in inches)

Butts Offset Pivots	Center Hung Pivots	Model Number		
		Friction	H.O.	Stop
*24 - 28	25-1/2 - 30	9-116	9-126	9-136
28-1/16 - 33	30-1/16 - 36	9-216	9-226	9-236
33-1/16 - 38	36-1/16 - 41	9-316	9-326	9-336
38-1/16 - 43	41-1/16 - 46	9-416	9-426	9-436
43-1/16 - 48	46-1/16 - 50	9-516	9-526	9-536

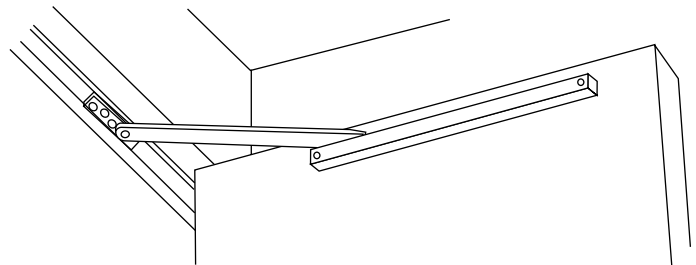
ANSI No.			
Shipping Weight 4.5 lbs.	Friction	H.O.	Stop
	C02531	C02511	C02541

*Butt hung only on this size door. No swing clear hinges.

9ADJ SERIES

Product Description & Features

- Adjustable, heavy-duty
- Interior or exterior doors
- Doors are single acting
- Non-handed
- Slide track design
- Recommended for high traffic, heavy abuse installations
- Heavy shock absorber spring provides 5-7° compression before dead stop
- Degree of opening is fully adjustable and can be adapted to changing needs
- Complete screw packet with thru-bolts for door, wood and machine screws for the frame
- For security areas, Torx® screws available for exposed fasteners
- Standard architectural finishes
- Durable slider cam and shock block
- 110° maximum opening (except 9ADJ for center hung 30-36" door which is 105°)
- 1-3/4" minimum door thickness, for thicker doors consult factory
- 1-3/16 square channel
- Stop function UL listed for fire doors
- For pull side mounting or flush and rabbeted mounting on push side use angle jamb bracket adapter 5458-LH or 5459-RH
- Hanging means other than standard butts or offset pivots require special templating and pricing. Consult factory



Door Opening Chart (in inches)

Butts Offset Pivots	Center Hung Pivots	Model Number	
		H.O.	Stop
*24 - 28	25-1/2 - 30	9ADJ-126	9ADJ-136
28-1/16 - 33	30-1/16 - 36	9ADJ-226	9ADJ-236
33-1/16 - 38	36-1/16 - 41	9ADJ-326	9ADJ-336
38-1/16 - 43	41-1/16 - 46	9ADJ-426	9ADJ-436
43-1/16 - 48	46-1/16 - 50	9ADJ-526	9ADJ-536

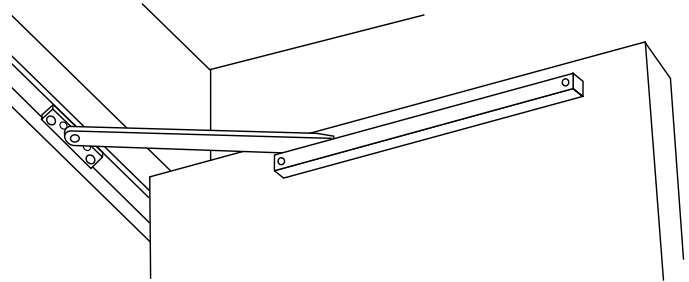
ANSI No.		
Shipping Weight 4.5 lbs.	H.O.	Stop
		C02511

***Butt hung only on this size door. No swing clear hinges.**

10 SERIES

Product Description & Features

- Adjustable
- Interior doors
- Single acting doors
- Non-handed
- Slide track design
- Recommended for moderate traffic, medium weight doors
- Degree of opening fully adjustable and can be adapted to changing needs
- Heavy shock absorber spring provides compression before deadstop
- Can be ordered specifically as a stop, friction stay, or hold open.
- Multi-function unit is shipped as a stop. Can be converted to a hold open or friction in field. 5012-PKG (**Adapter kit**) included
- Complete screw packet with thru-bolts for door, wood and machine screws for frame
- Torx® screws optional for security applications, but heavy-duty units should be considered for high-security applications
- Standard architectural finishes
- Durable slider cam and shock block
- 110° maximum opening
- 3/4" square channel
- Stop function UL listed for fire door assemblies
- For pull side mounting or flush and rabbeted mounting on push side use angle jamb bracket adapter 5258
- Hanging means other than standard butts or offset pivots require special templating and pricing. Consult factory



Door Opening Chart (in inches)

Butts Offset Pivots	Center Hung Pivots	Model Number			
		Friction	H.O.	Stop	Multi
*18 - 24	21 - 26-1/2	10-116	10-126	10-136	10-146
24-1/16 - 30	26-9/16 - 32	10-216	10-226	10-236	10-246
30-1/16 - 36	32-1/16 - 38	10-316	10-326	10-336	10-346
36-1/16 - 42	38-1/16 - 45	10-416	10-426	10-436	10-446
42-1/16 - 48	45-1/16 - 48	10-516	10-526	10-536	10-546

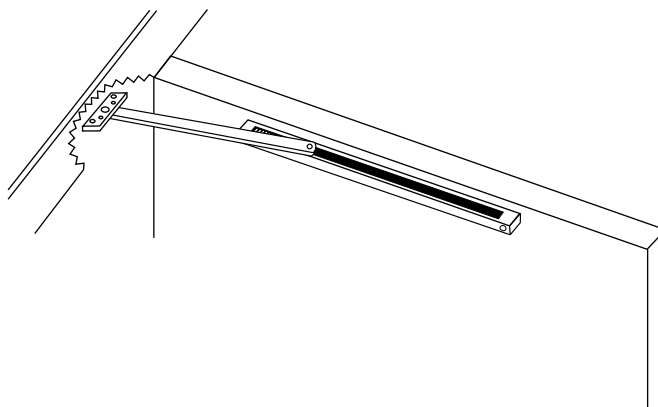
ANSI No.			
Shipping Weight 3.5 lbs.	Friction	H.O.	Stop
	C05532	C05512	C05542

***Butt hung only on this size door. No swing clear hinges.**

55 SERIES

Product Description & Features

- Standard duty
- Interior doors
- Single acting
- Non-handed
- Slide track design
- Recommended for moderate traffic, medium weight doors
- Degree of opening determined by template. Not field adjustable
- Heavy shock absorber spring provides 5-7° compression before deadstop
- Stop and hold open functions
- Complete screw packet with thru-bolts for door, wood and machine screws for the frame
- Torx® screws optional for security applications, but heavy-duty units should be considered for high-security applications
- Available in 652 and sprayed finishes only
- Durable slide block and shock block
- 110° maximum opening
- 3/4" square channel
- For pull side mounting or flush and rabbeted mounting on push side use angle jamb bracket adapter 5258
- Hanging means other than standard butts or offset pivots require special templating and pricing. Consult factory

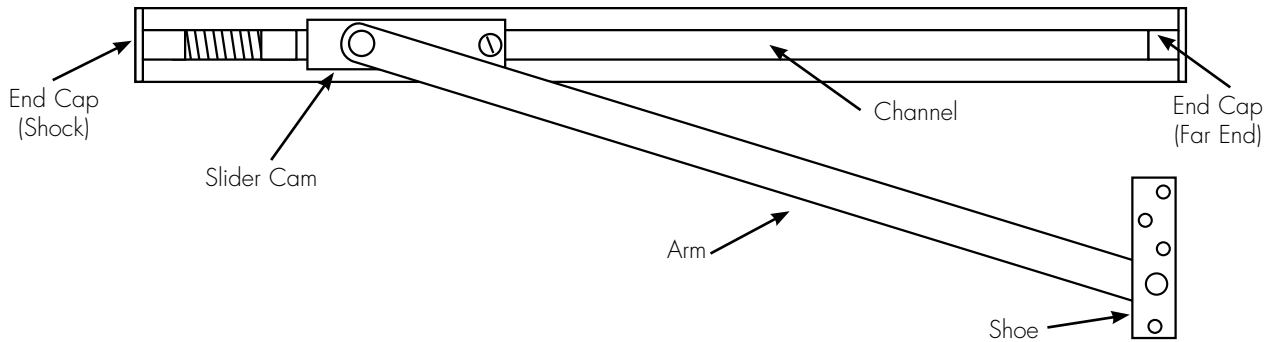


Door Opening Chart (in inches)

Butts Offset Pivots	Center Hung Pivots	Model Number	
		H.O.	Stop
*18 - 24	—	55-126	55-136
24-1/16 - 30	27 - 32	55-226	55-236
30-1/16 - 36	32-1/16 - 38-1/2	55-326	55-336
36-1/16 - 42	38-9/16 - 45	55-426	55-436
42-1/16 - 48	45-1/16 - 48	55-526	55-536

ANSI No.		
Shipping Weight 3.5 lbs.	H.O.	Stop
	C05512	C05542

***Butt hung only on this size door. No swing clear hinges.**



End Caps #1, 2, 9 & 10 only		
#1 & #9	Shock End Block	6003
	Far End Block	6004
#2 & #5	Far End Block	5059 (2 req.)
#10	Far End Block	5011 (2 req.)
Screw Kits		
#1	Stop	6487-*
	Hold Open	6998N*
#1ADJ	Stop and Holder	6487-*
#2	Friction or Stop	5999-*
#6	Stop	6487-*
#7	Friction or Stop	3880-XXXXA
#8	Friction or Stop	5897-*
#9	Friction or Stop	6468-*
	Hold Open	6997N*
#9ADJ	Stop and Holder	6468-*
#10 & #55	Friction or Stop	5998-*

Arm Assemblies (includes arm, shoe and slider cam)
List as noted in charts below.

eg. 1-236 in 630 would be 1-236R in 630
55-426 in 652 would be 55-426R in 652

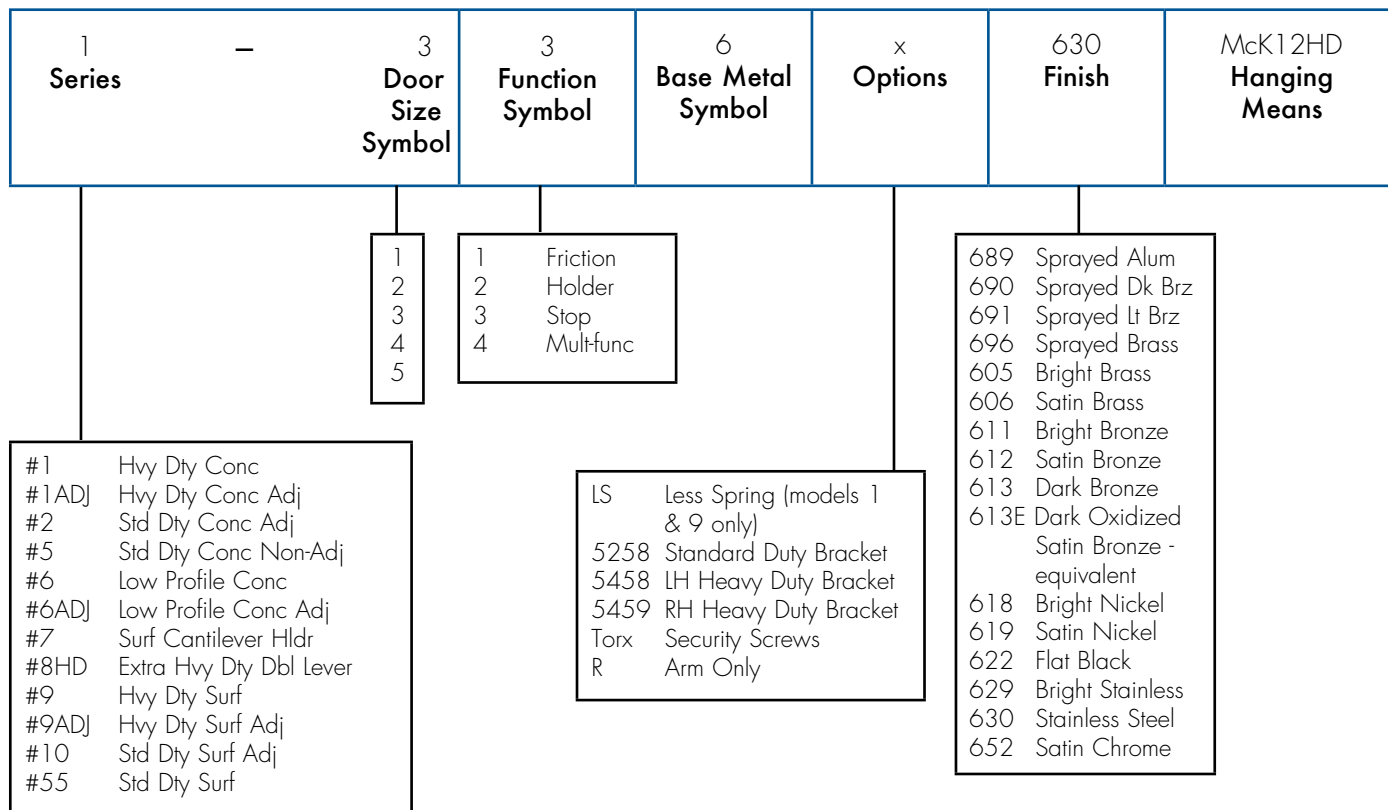
Components for arm assemblies may not be ordered separately

1	Dash	Size	Function	R	Finish
1ADJ	Dash	Size	Function	R	Finish
2	Dash	Size	Function	R	Finish
5	Dash	Size	Function	R	Finish
6	Dash	Size	Function	R	Finish
6ADJ	Dash	Size	Function	R	Finish
9	Dash	Size	Function	R	Finish
9ADJ	Dash	Size	Function	R	Finish
10	Dash	Size	Function	R	Finish
55	Dash	Size	Function	R	Finish

Adapter Kits

2	Hold Open, Friction Adapter	5012-PKG
10	Hold Open, Friction Adapter	5012-PKG

*specify finish



CONTACT US AT:

Rixson®
3000 Highway 74 East
Monroe, NC 28112
Tel: 800-457-5670
Fax: 800-338-0965

ASSA ABLOY Door Security Solutions Canada
160 Four Valley Drive
Vaughan, Ontario, L4K 4T9 Canada
Tel: 800-461-3007
Fax: 800-221-0489

For a complete listing of products and
applications please visit our web site.
www.rixson.com
www.assaabloy.ca

Rixson®, Rixson and Design® and Checkmate® are registered trademarks of Yale Security Inc., an ASSA ABLOY Group company. Other products' brand names may be trademarks or registered trademarks of their respective owners and are mentioned for reference purposes only. These materials are protected under U.S. copyright laws. All contents current at time of publication. Copyright © 2001, 2013, Yale Security Inc., an ASSA ABLOY Group company. All rights reserved. Reproduction in whole or in part without the express written permission of Yale Security Inc. is prohibited.