

# Door Control Accessories

Special Condition Accessories and  
Installation Aids to Give the Owner  
the True Benefit of Using Floor  
Closers and Pivots



**RIXSON**  
**ASSA ABLOY**

ASSA ABLOY, the global leader  
in door opening solutions

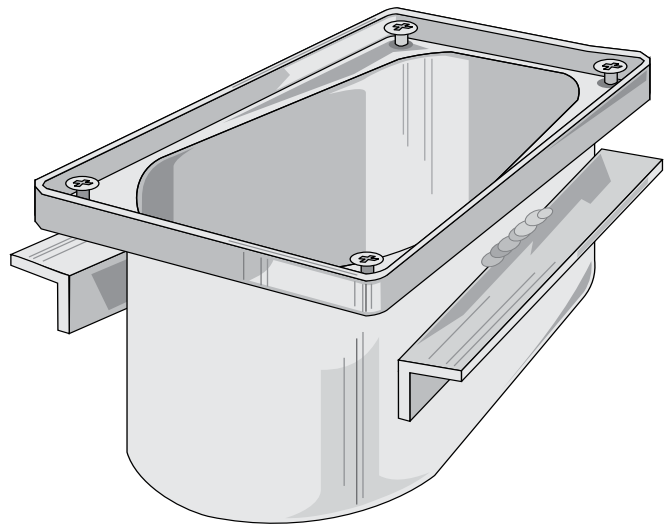
---

<b>General Information.....</b>	<b>3</b>
<b>Caster</b>	
10600 Single Roller Caster .....	4
10602 Double Roller Caster .....	4
<b>Special Cement Cases</b>	
1101 Cement Case for Use Between 2 Slabs .....	5
79501 Cement Case for Use with Shallow Floors .....	5
25204 Twin Cement Case 1-7/8" Mullion for back-to-back closers .....	6
25304 Twin Cement Case 2" Mullion for back-to-back closers .....	6
<b>Cover Pans</b>	
846 Cover Pan for 27 closer, all depths .....	7
3910 Cover Pan for L27 closer, all depths .....	7
2237 Cover Pan for 28 closer x 554 flat arm, all depths .....	7
841 Cover Pan for 28 closer, centering arm, all depths .....	7
841B Cover pan for H28.....	7
2637 Cover Pan for 51 closer, all depths .....	7
2807D Cover Pan for 53 closer, all depths .....	7
2807B Cover Pan for 50 closer x 554 flat arm, all depths .....	7
2807A Cover Pan for 50 closer, centering arm, all depths .....	7
<b>Applied Stop</b>	
60131 Lock edge applied stop for center hung doors .....	8
<b>Installation Tools</b>	
2604/2608 Pivot Alignment Tools .....	9
1859001 27/28/30/40 Quickspotter .....	9
1859501 Q27 Quickspotter .....	9
1855051 50/51/53 Quickspotter .....	9
Installation DVDs.....	10

This section includes a myriad of items to make sure all closing hanging installations will give the best performance for the longest period of time.

It may be a caster for an extra-wide pivoted door or a tool to make sure the product has been installed correctly.

Take a minute to see some items that can make your life as a designer or as a distributor a little easier.



**79501 Cement Case**

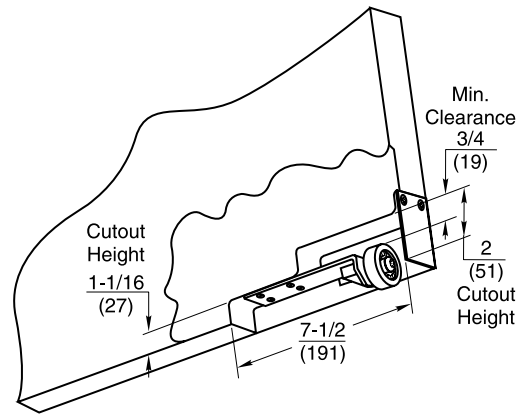
ROLLERMATE® 10600 CASTER FOR LEADING DOOR EDGE

**Product Description & Features**

- Casters are required for all doors over 5' wide that are pivoted near the heel edge of the door
- Can assist doors weighing up to 730 pounds. For doors up to 1500 pounds model 10602 should be used
- Metal doors minimum 1-3/4" thickness
- Wood doors minimum 2-1/4" thickness
- Three 1/16" shim plates included for adjustment after door is installed
- Optional end cap to finish off edge of door 10600-019
- Hollow metal mounting plate available
- For low frequency usage
- For interior door installations
- For pivot doors only
- Patented



**Technical Information**



1101 CEMENT CASE FOR EXTERIOR EXPANSION JOINTS OR BETWEEN SLAB APPLICATIONS

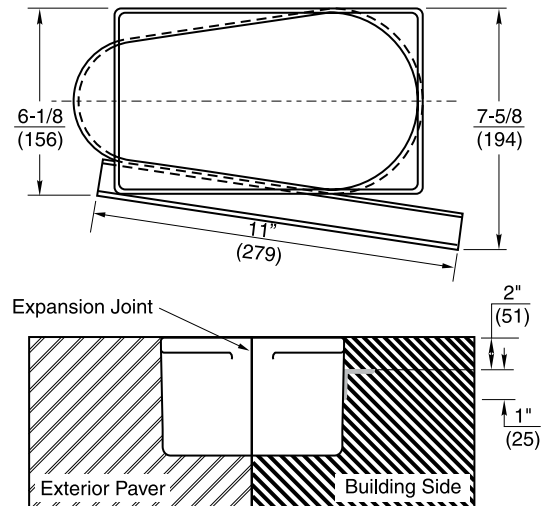
**Application**

At expansion joints, angle is applied to one side of a cast iron cement case allowing it to anchor to interior slab. Outside edge of slab independent of exterior slab.

Specify hand or door swing.



**Technical Information**



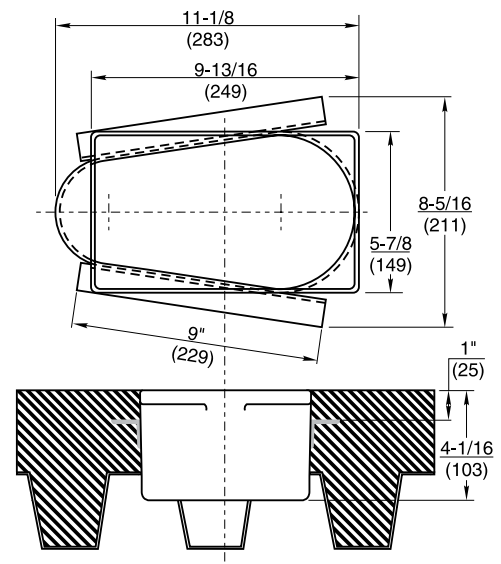
79501 HEAVY DUTY CEMENT CASE FOR SHALLOW DEPTH FLOORS

**Application**

When a shallow concrete floor (less than 4-1/2") presents installation difficulties, there is no need to sacrifice proper door control. Heavy-duty closers (27 and 28) that are normally furnished with cycolac cases may be ordered with metal cases that have steel angles welded to the sides. For 30 or 40 series closers, contact factory.



**Technical Information**



TWIN CEMENT CASE

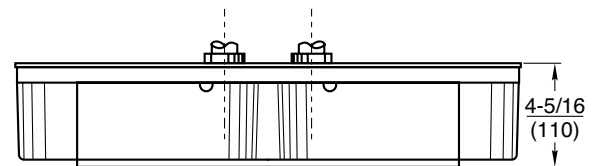
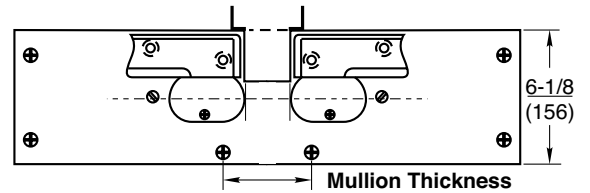
**Application**

27 closers cannot be mounted back-to-back where space between doors is less than 2-7/8" (73mm), without modification. When a 2" (51mm) (25304) or 1-7/8" (48mm) (25204) mullion is the only separation for these offset closers, a twin cement case must be furnished.

**Closers are also modified.**

When a twin cement case is ordered, mullion width must be indicated. Both closers and cement cases must be ordered at the same time. Field modification to standard product is not possible.

**Technical Information**



### COVER (TERRAZZO) PANS

#### Application

To ensure the aesthetics of a continuous floor line, a cover pan can be used in lieu of a closer floor plate. A cover pan is filled with flooring material (terrazzo, marble, tile, etc.) and is then placed on top of the floor closer. This allows access to the floor closer for maintenance.

Specify stainless steel or brass, exact closer being used, hand, and depth of pan. ( $7/8"$  (22mm) is standard.) Deduct cost of floor plate, add for extended spindles, and add for cover pan.

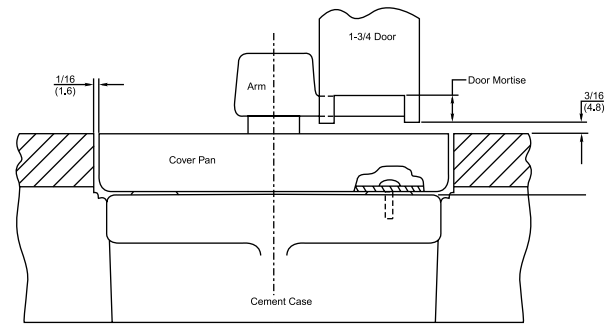
For pan depths and closer spindle information, refer to "Templates" and "Door Control Accessories". Common cover pan part numbers include:

- 846 27 closer, all depths for 1-3/4" doors. Consult factory for doors greater than 1-3/4".
- 3910 L27 closer, all depths for 1-3/4" doors. Consult factory for doors greater than 1-3/4".
- 2237 28 closer x 554 flat arm, all depths
- 841 28 closer, centering arm, all depths
- 841B H28 closer and H28 x 587 arm
- 2637 51 closer, all depths for 1-3/4" doors. Consult factory for doors greater than 1-3/4".
- 2807D 53 closer, all depths
- 2807B 50 closer x 554 flat arm, all depths
- 2807A 50 closer, centering arm, all depths

Any other closer models will be special layouts. Contact factory for correct product numbers and pricing.



#### Technical Information



**Note:** Closers that are "buried" under floor materials, that do not have Rixson cover pans, will not be covered by warranty.

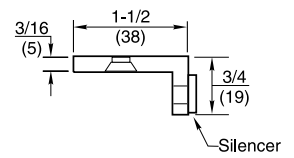
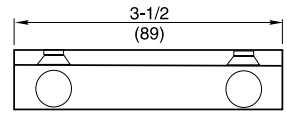
60131 APPLIED STOP

**Application**

For center hung doors with single acting closers. Mount to underside of frame head at the lock edge to keep doors from resting past center.



**Technical Information**





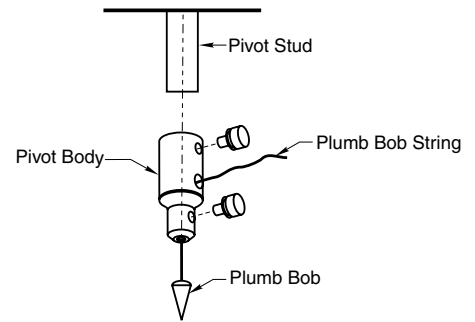
## 2604/2608 PIVOT/CLOSER ALIGNMENT TOOL

### Application

- Reuseable tool ensures proper alignment of top and bottom pivot or closer
- May be used for offset or center hung installations
- Plumb line and bob not included
- Can be reused for future/additional installations
- For H340 and H345 top pivots use part number 2608



### Technical Information

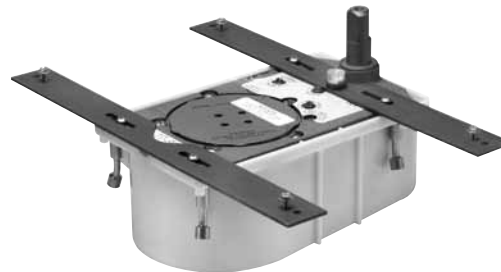


## 1859001 QUICKSPOTTER

### Application

Metal straps are attached to the closer to suspend it during setting. Locator indicates proper placement of spindle. The level ensures a leveled installation.

- Spindle locator plate (for offset and center hung installations)
- Two spotter straps with leveling screws
- Bubble level
- May be used on Models 27, 28, 30, 40
- Can be reused for future/additional installations
- For Q27 specify model 1859501 Quickspotter



## 1855051 QUICKSPOTTER

### Application

Metal straps are attached to the closer to suspend it during setting. Locator indicates proper placement of spindle. The level ensures a leveled installation.

- Spindle locator plate (for offset and center hung installations)
- Two spotter straps with leveling screws
- Bubble level
- May be used on models 50, 51, and 53
- Can be reused for future/additional installations



Since installation of floor closers and pivots is a very sensitive and intimidating process, Rixson has developed step-by-step instructions on how to make the cavity in the concrete for the cement cases, use the pivot alignment tools, employ Quickspotters and view actual door hanging.

These vital installation support items are found on the Rixson website at [www.rixson.com](http://www.rixson.com) under "Installation Aids". They are also available from your local ASSA ABLOY Door Security Solutions sales agency ([www.rixson.com](http://www.rixson.com) under "Sales Contacts").

With these audio/video representations, installing a door closer will take little more time than hanging a butt hung door. And there will be the additional benefit of guaranteeing that the door is hanging plumb and true. Most important, the owner will get scores of years of service from the concealed hardware.





CONTACT US AT:

Rixson®  
3000 Highway 74 East  
Monroe, NC 28112  
Tel: 800-457-5670  
Fax: 800-338-0965

ASSA ABLOY Door Security Solutions Canada  
160 Four Valley Drive  
Vaughan, Ontario, L4K 4T9 Canada  
Tel: 800-461-3007  
Fax: 800-221-0489

For a complete listing of products and applications please visit our web site.  
[www.rixson.com](http://www.rixson.com)  
[www.assaabloy.ca](http://www.assaabloy.ca)

Rixson®, Rixson and Design® and Rollermate® are registered trademarks of Yale Security Inc., an ASSA ABLOY Group company. Other products' brand names may be trademarks or registered trademarks of their respective owners and are mentioned for reference purposes only. These materials are protected under U.S. copyright laws. All contents current at time of publication. Copyright © 2001, 2013, Yale Security Inc., an ASSA ABLOY Group company. All rights reserved. Reproduction in whole or in part without the express written permission of Yale Security Inc. is prohibited.