

8000 SERIES

Architectural Door Closer



Norton[®]
ASSA ABLOY

ASSA ABLOY, the global leader
in door opening solutions

OVERVIEW

The 8000 Series Door Closers offer the ideal combination of appearance, reliability and durability in today's market. With features such as staked valves, precise valve adjustment and a complete range of arm and cover options, this closer can meet virtually any application challenge.

Features

- Exceeds 15 million cycles (witnessed and verified by UL)
- Adjustable spring sizes 1 through 6
- Tri-Style® packaging standard (regular arm, top jamb and parallel arm mounting)
- Non-handed
- Staked valves
- Cast aluminum body
- Rack and pinion design
- 1-1/4" (32mm) diameter piston
- 5/8" (16mm) diameter pinion journals
- 2-1/8" (54mm) projection (standard covers)
- All standard arm applications (with slim, full or metal covers) allow doors to swing 180 degrees, conditions permitting
- Full size template
- Metal, architectural plastic or architectural metal covers (8501 only)
- Lead lined metal cover - suffix MLL
- Application specific arms: Regular (S), Top Jamb (J) and Parallel (P)
- Heavy-duty arms; Regular Rigid, Parallel Rigid, CloserPlus®, CloserPlus Spring™, Unitrol®
- Slide Tracks: push or pull side mounting
- 25-year limited warranty

Functions

- Standard, separate and independent, latch, sweep and backcheck intensity valves
- Delayed action

Features	8301	8501
Adjustable spring sizes 1 through 6	X	X
Tri-Style® packaging standard (regular arm, top jamb and parallel arm mounting)	X	X
Slim Line Cover	X	
Full cover		X

TABLE OF CONTENTS

Overview 2-3

How to Order 4

Fasteners/Finishes 5

Features 6

Optional Features 6-7

Suggested Specifications 8

Applications 9-12

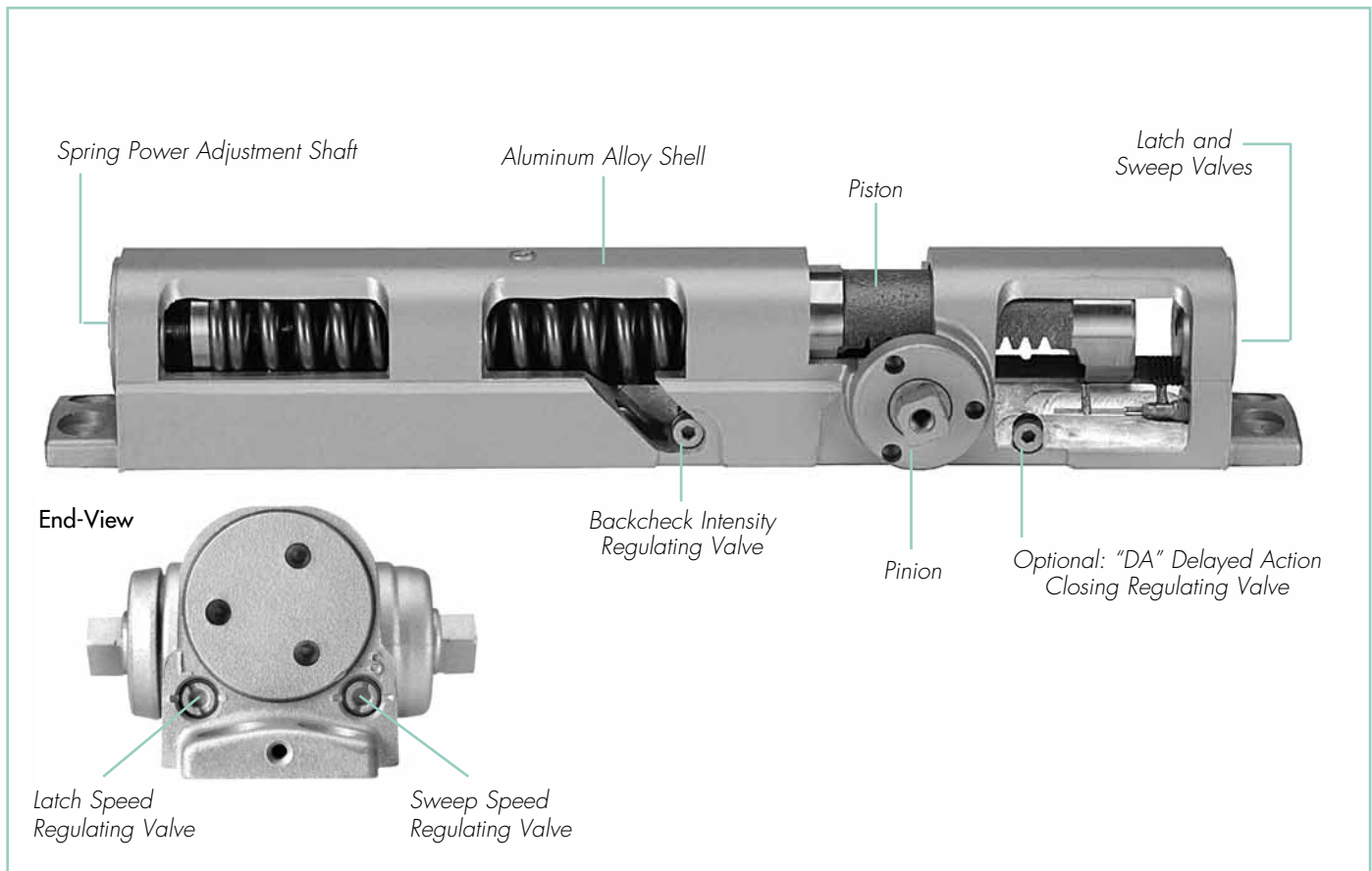
Technical Details 13-25

Accessories 26-38




Parts List 38-50

OVERVIEW

Cutaway View



COMPLIANCE STANDARDS

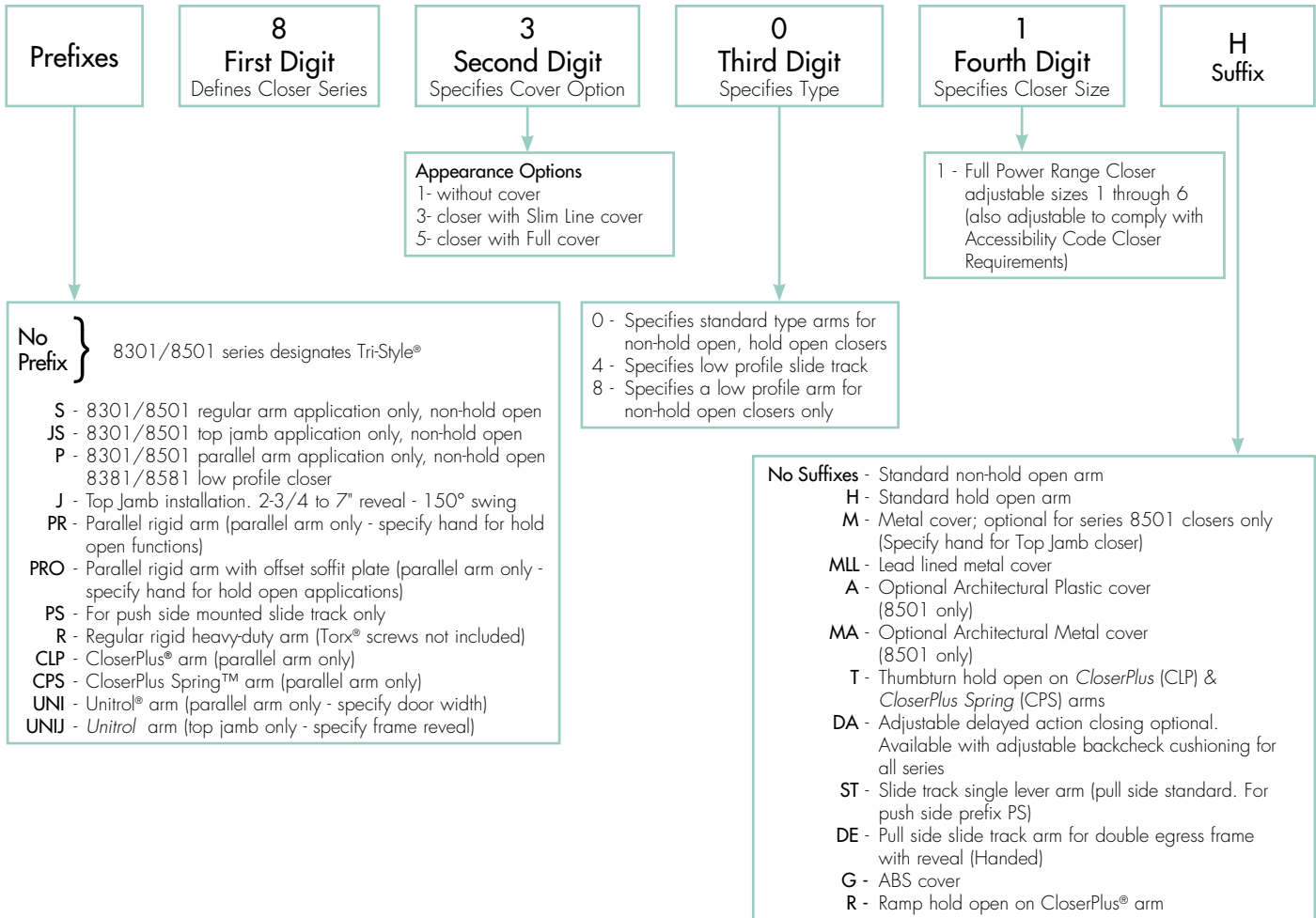
- ANSI/BHMA A156.4, Grade 1 certified 
- UL / cUL listed for use on fire rated doors 
- UL10C listed for positive pressure fire test
- 8301 and 8501 door closers are designed to comply with requirements for the Americans with Disabilities Act (A.D.A) and ANSI standard A117.1 
- This product is manufactured in an ISO 9001 facility

CAUTION: Door Closers for Low Opening Force Applications:

Door closers installed in openings required to meet the requirements of The Americans with Disabilities Act or ANSI/BHMA Standard A117.1, when adjusted to meet those requirements, may not provide adequate closing power to dependably close and latch the door.

HOW TO ORDER

For optimum protection of door and frame assemblies, always use auxiliary wall, floor, or overhead door stop.



Notes:

- Warranty becomes void if door closer is installed on the exterior side of a door in the exterior wall of a building.
- It is strongly recommended, and required on fire door assemblies, that doors having a door closer be hung on ball bearing or anti-friction hinges or pivots; unless an alternate method is identified in the door manufacturer's listing.
- Failure to use the correct type and size fasteners may void factory warranty.
- Fasteners for fire/smoke door assemblies must conform to NFPA 80. In some applications additional fasteners may be mandated by NFPA 80 that are not shipped with standard Norton product, such as sleeve-nuts/sex nuts or through-bolts and grommet nuts.
- Sizing charts provided on pages 13-25 are based on 1-3/4" (44mm) x 7" (2.13m) standard weight doors swinging to 110°. Other conditions (such as door height or weight; or wind/draft conditions) may require a larger size closer.

FASTENERS

Type	Description	Arm								
		RA	PA	TJ	Low Profile	PR	CLP / CPS	UNI	UNI-J	Slide Track
DOOR										
SDST	Self Drilling Self Tapping	S	S	S	S	S	S	S	O	O
MS	Machine Screw	S	S	S	S	S	S	S	S	S
SN	Sleeve Nut/Sex Nut	O	O	O	O	S	S	S	S	S
TBGN	Through-Bolts & Grommet Nuts	O	O	O	O	O	O	O	O	O
SMS	Sheet Metal Screws	O	O	O	O	O	O	O	O	O
Torx®	Torx Drive Security Screw	O	O	O	O	O	O	O	O	O
FRAME										
SDST	Self Drilling Self Tapping	S	S	S	S	S	S	S	S	S
MS	Machine Screw	S	S	S	S	S	S	S	S	S
SMS	Sheet Metal Screws	O	O	O	O	O	O	O	O	O
Torx	Torx Drive Security Screw	O	O	O	O	O	O	O	O	O

S = standard; O = optional

SN are for use on unreinforced hollow metal doors or to prevent any hollow metal door from collapse/dimpling. They can also be used for thru bolting on wood doors. SN are supplied for 1-3/4" (44mm) thick doors unless specified for 2-1/4" (57mm) thick doors.

TBGN are an alternative to SN for wood doors. TBGN are supplied standard for 1-3/4" (44mm) thick doors. They can be specified for 1-3/8" (35mm) thick doors.

SMS - when specified, closer will be packed with sheet metal screws for the door AND sheet metal screws plus machine screws for the frame.

TORX screws with security pin are standard with Security Door Closers. Torx may be specified for all other series applications. Torx are only available with machine screw threads. Sheet metal screw threads or wood screw threads are not available.

Note: To order special fasteners with closers, specify model number x fastener (Ex: 8501 x 689 x TBGN)

FINISHES

Norton offers waterborne acrylic, polyester powder coat and plated finishes. Custom finishes are available on special order. A sample and approval is required.

Waterborne acrylic and polyester powder coat will withstand 100 hours of salt spray (ANSI requires 25 hours).

ANSI/BHMA	Description
600*	Prime Coat
605	Bright Brass
606	Satin Brass
611	Bright Bronze
612	Satin Bronze
613E	Dark Oxidized Satin Bronze - Equivalent
619	Satin Nickel
625	Bright Chrome
626	Satin Chrome

ANSI/BHMA	Description
689	Aluminum
690	Statuary Bronze
691	Dull Bronze
693	Black
694	Medium Amber
696	Gold
N/A	556 White

* 600 is a special rust-inhibiting prime coat. Closers can be ordered prime coat only (specify closer x 600). An additional charge applies if finish coat is required over prime coat.

- Norton closer bodies and plastic covers are available in waterborne acrylic finishes. Arms and metal covers are available in powder coat or plated finishes.
- When a plated finish is ordered, arm and cover will be plated unless "cover only" is specified.

FEATURES

Aluminum Alloy Housing

Closer bodies are constructed of a special aluminum alloy, carefully selected to accommodate interactive steel components and operating conditions.

Rack & Pinion Operation

Provides a smooth constant control of the door through its full opening and closing cycle. 180° door swing can be achieved when door, frame, hardware and arm function do not interfere.

Non-handed

With few exceptions all series 8301/8501 door closers are non-handed and can be installed on either right- or left-hand swing doors. Pinion shaft extends vertically through the closer body in both directions. Some options, as noted on pages 6-7, will require that the hand of the closer be specified.

Sweep Speed Control Valve

Allows adjustment of door speed from the door's full open position down to approximately 10° from the closed position.

Latch Speed Control Valve

Allows adjustment of door speed from approximately 10° down to the door's fully closed position.

Tri-Style®

8301/8501 comes with screws, brackets and soffit plates to allow for regular, top jamb, and parallel arm installations.

Adjustable Backcheck Valve

Provides control of the door in the opening cycle, beginning at approximately 75° of door opening. It cushions the door opening when the door is forcibly opened beyond its pre-adjusted limits.

Standard Molded Covers

Molded of high-impact U.L. listed material. These covers are non-handed for all applications.

Warranty

Limited 25-year warranty for defects and life of the building on the aluminum housing.

Closer Fluid

NorGlide® closer fluid is a specially formulated multi-viscosity hydraulic fluid that contains lubricity and anti-oxidation agents that provide optimum performance and efficiency. This fluid complements the interaction of the door closer's aluminum housing with its steel and brass components, while maintaining stable viscosity to allow the door closer to perform in temperatures ranging from extremely high to as low as -40° F.

Door Closer Power Options

Series 8301/8501 Multi-Sized Door Closer

Adjustable through the power range of sizes 1 through 6; as outlined in ANSI/BHMA specification A156.4 option PT 4H.

Closers will also comply with the opening force requirements as outlined in the Americans with Disabilities Act (ADA) and ANSI/BHMA standard A117.1 for interior doors.

OPTIONAL FEATURES COVERS

Optional Metal Cover

This steel cover is non-handed for regular and parallel arm applications, but is handed for top jamb applications. Cover is available in sprayed or plated finishes.



Optional Architectural Covers *

Plastic Architectural plastic covers are molded of high-impact U.L. listed material. They are non-handed and available in sprayed finishes.

Metal The architectural metal covers are steel and non-handed for all applications. These covers are available in sprayed or plated finishes.



Optional ABS Cover

Consult factory for details

OPTIONAL FEATURES

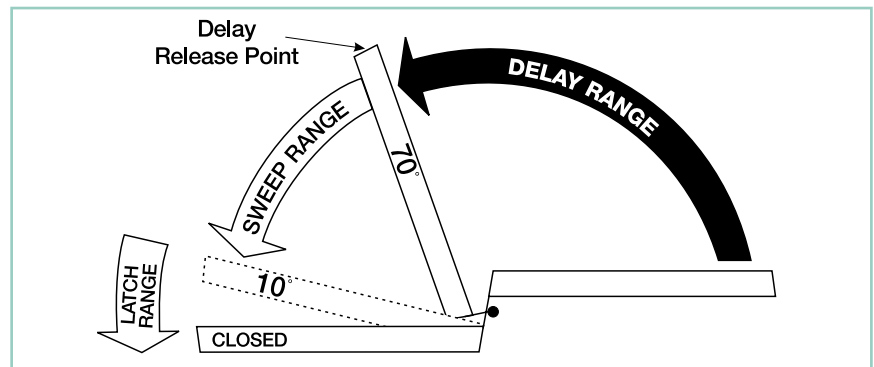
Adjustable Delayed Action Closing

An optional hydraulic feature that adds a third speed range to the closing cycle. This feature becomes effective when the door is opened and released at any point beyond 70°. The amount of time delay depends upon the combination of the angle of door release and valve adjustment. The valve can be adjusted with a 1/8" (3mm) hex key from no delay time up to maximum delay times of:

Door Opened	Approximate Time of Delay Cycle
180°	4-5 minutes
120°	2-3 minutes
90°	25-30 seconds

Pressure Relief Safety Valve

The delayed action hydraulic system contains a pressure relief valve. Any time the door is forced toward the closed direction while it is in the closing cycle, the valve will open and permit the door to close. This prevents damage to door, frame and closer.



Suggested Applications

Delayed action closing allows slow-moving traffic to clear the opening before the door closer's normal closing cycle begins. This feature can be helpful in health care facilities such as hospitals and nursing homes. It provides sufficient time for persons on crutches or in wheelchairs to pass through a door without concern of it closing. At the same time, it can accommodate the facility's staff with movement of food service carts, beds, and other wheeled traffic.

Use of delayed action closers on many doors throughout industrial and commercial buildings can also assist the flow of traffic. Locations where additional time to clear the opening is advantageous are doors between office and factory/warehouse facilities, doors to workshops or laboratories, to kitchen and food processing areas, etc.

OPTIONAL FEATURES ARMS

Non-Hold Open

Self-closes door every time door is opened. Auxiliary stop (by others) required except when using the CloserPlus®, CloserPlus Spring™ or Unitrol® arms.

Hold Open

Achieved by means of friction or ball and detent/ roller. Friction hold open has a range of 90° to 180° using template location and mechanical adjustment.

Ball and detent or roller hold open is effective in a range of 85° to 110°.

Hold open arm door closers are not permitted to be used on fire door assemblies.

Door Opening Degrees

Arm Function	Regular Arm, Top Jamb Parallel Arm	Parallel Rigid Arm	CloserPlus® Parallel Arm	CloserPlus Spring™ Parallel Arm	Unitrol® Parallel Arm	Unitrol Top Jamb	Low Profile Regular, Parallel	Slide Track
Non-Hold Open	✓	✓	85° to 110°	85° to 110°	85° to 110°	85° to 110°	✓	85° to 110°/180°
Hold Open	90° to 180°	85° to 180°	85° to 110°	85° to 110°	85° to 110°	85° to 110°	N/A	85° to 110°

✓=180° trim and template permitting

SUGGESTED SPECIFICATIONS

8301/8501 Series

Closers for interior and exterior doors shall be full rack-and-pinion type with cast aluminum alloy shell. Closers shall be surface mounted and shall project no more than 2-1/8" from the surface of the door with standard cover. Closers shall be non-handed to permit installation on doors of either hand. Closer fluid shall contain lubricity and anti-oxidation agents. Closer fluid shall maintain stable viscosity to allow door closer to perform in temperatures ranging from extremely high to as low as -40°F. Closers shall have multi-size spring power adjustment to permit setting of spring from size 1 through size 6. Closers shall have two non-critical valves, hex key adjusted, to independently regulate sweep speed and latch speed. Closers shall have adjustable backcheck intensity controlled by a hex key adjusted valve.

[Closers shall have adjustable delayed action closing controlled by a hex key adjustable valve.]

Regular arm and top jamb closers shall have a non-hold open shoe permitting 15% (+ or – 7-1/2%) power adjustment. **Closers shall be enclosed in a [molded resin cover] [plated or sprayed metal cover], Closers to be Norton® [8301/8501] [8501M] [8501MA] [8501A].

**For special arms insert that specification here (see column three on this page).

****Unitrol® Arm**

Door closers shall have a fixed door stop feature effective at one point selected at installation, from 85° - 110° in five-degree increments. Door stop shall be cushioned by a shock-absorbing heavy-duty spring action effective at the [soffit plate] [arm shoe] pivot. [Closers shall be provided for parallel arm installation using a rigid steel main arm and secondary arm lengths proportional to the door width.] [Closers shall be provided for top jamb installation using a forged steel, rigid main arm and telescoping secondary arm adequate for the frame reveal of the openings.]

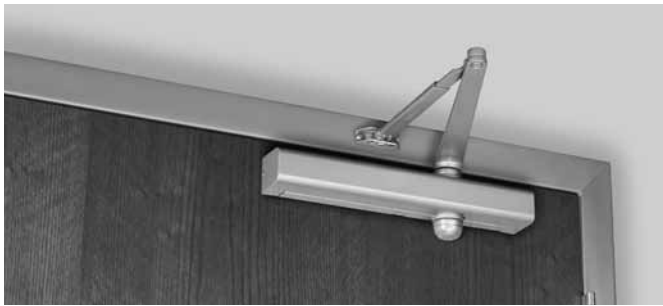
****CloserPlus® Arm**

Door closers shall have a field reversible door stop. Door closer shall have a feature with selectable on and off ball and detent hold open. Hold open tension shall be adjustable effective at one point selected at installation, from 85° - 110° in five degree increments. [Hold open mechanism shall have engage/disengage selection actuated by thumbturn]. Closers shall be provided for parallel arm installation using a forged rigid steel main arm and secondary arm.

****CloserPlus Spring™ Arm**

Door closers shall have built-in door stop [and holder] effective at one point selected at installation, from 85° - 110° in five-degree increments. Door stop mechanism shall be reversible and have a buffer spring that engages prior to the dead stop feature, reducing shock loads to the door and frame assembly. Door stop mechanism shall be non-handed and attached to soffit plate. [Hold open mechanism shall have engage/disengage selection actuated by thumbturn]. Closers shall be provided for parallel installation using a forged rigid steel main arm and secondary arm.

APPLICATIONS



Regular Arm

8301 - slim cover

This is the only pull-side application where a double lever arm is used. It is the most power-efficient application for a door closer. Sufficient frame, door and/or ceiling clearance must be considered.



8501 - full cover

Since the arm assembly projects directly out from the frame, this application may present an aesthetics issue or be prone to vandalism.



Top Jamb

For efficiency reasons this application provides the best alternative to the regular arm application. There must be sufficient frame face and/or ceiling clearance for this application. It requires a top rail on the door of just 2-1/4" (57mm). This application provides the best door control for doors in exterior walls that swing out of a building.



The entire door closer and arm assembly project from the frame, similar to the regular arm application, where matters of appearance and malicious abuse can be of concern. Consideration must be given to depth of frame reveal.



Parallel Arm

This application provides the most appealing design appearance for a surface-mounted door closer having a double lever arm. This also makes it beneficial in vandalism-prone areas. It is on the push side of the door and the arm assembly extends almost parallel to the door. In the closed position, there is very little or no hardware projecting beyond the frame face in most situations.



Due to the geometry of the arm it is approximately 25% less power efficient than a regular arm application. The entire closer and arm assembly are mounted below the frame stop. Top rail clearance dimensions will vary based on the type of cover used. (See pg. 15)

APPLICATIONS



Non-hold open arm shown

Parallel Rigid Arm

An enhanced variation of the standard parallel arm assembly that is intended for use in heavy traffic areas where auxiliary door stops are installed.

Hold open available - specify hand when ordering.



Non-hold open arm shown

CloserPlus® Arm

Similar to the Parallel Rigid arm, this arm incorporates a stop at the arm's soffit plate to dead stop the door at a predetermined degree of door swing between 85° and 110°, in 5° increments. Prior to dead stop the door closer's backcheck feature slows the door speed to reduce the impact of the stop action.

The *CloserPlus* Arm is intended for use where an auxiliary door stop cannot be utilized and no more than moderate abuse is anticipated. Where more extreme conditions are expected, use of a *Unitrol* arm is recommended.

Available with or without hold open. (Hold open strength is adjustable.)



Non-hold open arm shown

CloserPlus Spring™ Arm

This arm has all the characteristics of the *CloserPlus* arm with an additional steel buffer spring that provides greater protection at the end of the door opening cycle.

For extreme conditions, use of a *Unitrol* arm is recommended. Available with or without hold open.



CloserPlus Ramp™

The CLPR uses a patent pending ramp and plunger design that easily slides into place reducing wear often seen on traditional hold open arms. Ideal for applications where the door will constantly be pulled out of hold open.

APPLICATIONS



Regular Rigid Arm

This double lever arm features a non-adjustable secondary arm. Orbitally riveted joints prevent tampering or disassembly. Prefix "R" to model number. Available non-hold open only.



Parallel Rigid Offset Arm

This heavy-duty parallel rigid arm provides additional vertical clearance. It is well suited for applications where weatherstripping or other hardware prevents the use of the standard Parallel Rigid (PR) soffit plate. The non-hold open and hold arms allow 1-1/4" clearance. When used in conjunction with a #6891 spacer block, the PRO arm provides 1-7/8" clearance to accommodate the use of a surface overhead stop/holder.



Parallel

Unitrol® Arm

Can be used for either parallel arm or top jamb applications. *Unitrol* arms combine the features of a double lever arm overhead door stop/holder with the backcheck feature of the door closer to reduce door stopping shock loads to a minimum. The *Unitrol* uses a compression spring buffer at the soffit plate/arm shoe that will absorb 30 lbf. of force, 5° prior to the door's dead stop. Coupled



Top Jamb

with the door closer's backcheck feature, this arm provides the most controlled stop available with a surface door closer. For parallel arm applications there are three different length arm assemblies. Each length is designed for a specific range of door widths, to provide precise door control. This further lessens the dead stop impact on the door's hinges/pivots.

APPLICATIONS



Pull Side



Low Profile Pull Side



Push Side



Low Profile Push Side

Slide Track

Whether pull- or push-side mounted, slide track provides the designer with the smoothest lines available in a surface-mounted door closer. The single lever arm allows components to be located in a stack configuration to minimize projection and eliminate obtrusive arm angles. The arm geometry reduces door closer power efficiency by approximately 25% from that of a regular arm.

Standard unit:

- Adjustable 85°- 110° (hold open and non-hold open). Track is supplied with a spring buffered stop. An auxiliary stop, by others, is recommended.
- Specify if hold open unit is required.
- 180° swing (non-hold open, pull side only) is also available. This track assembly requires that a door stop, by others, be supplied to stop the door.



Regular Arm



Parallel Arm

Regular Arm: Allows closer to be installed where there is as little as 1" (25mm) of frame face or ceiling clearance.

Parallel Arm: Allows closer to be installed 1/2" (13mm) higher up on door than standard parallel arm application.

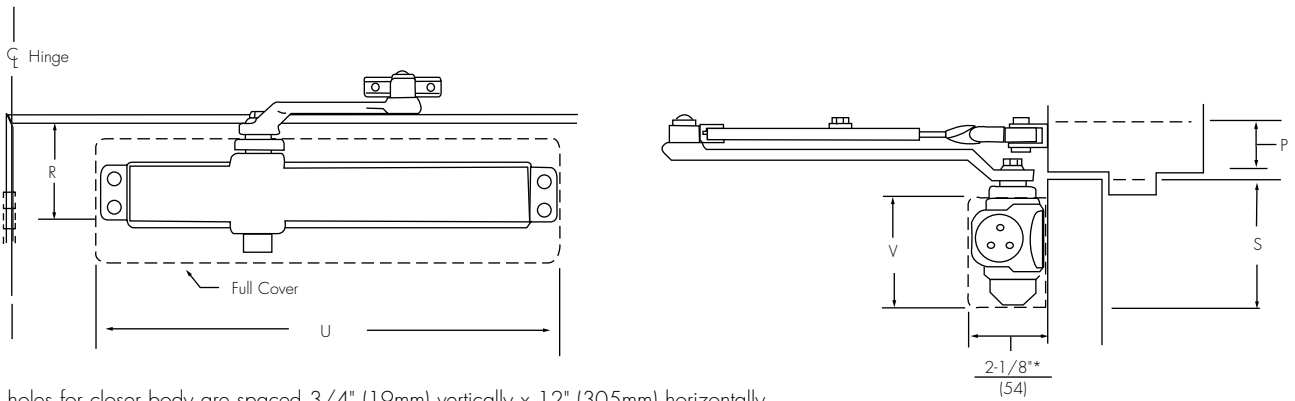
Low Profile Arm

Supplied with 8381/8581 series door closers for non-hold open installations only. Low profile arms have a reduced height elbow joint and a straight main arm. This enables the door closer to be installed in less vertical space.

Note: Low profile arm door closers are not supplied with Tri-Style® packaging.

8000 SERIES ARCHITECTURAL DOOR CLOSER

REGULAR ARM



Mounting holes for closer body are spaced 3/4" (19mm) vertically x 12" (305mm) horizontally.

Note: All measurements are inches/mm.

Maximum 180° door swing, conditions permitting.

Closer Series	Covers	P Minimum Ceiling Clearance			R Minimum Top Rail				S Minimum Top Rail Clearance		U Closer Length	V Closer Height				
					W/O Drop Plate		W/8146 Drop Plate									
		NHO	Low Profile	HO	NHO	Low Profile	NHO	Low Profile	NHO	Low Profile						
8101	No Cover	1-1/2" (38)	1" (25)	1-5/8" (41)	2-1/2" (64)	2-3/8" (60)	1-5/8" (41)	1-1/2" (38)	3-1/2" (89)	3-3/8" (86)	12-3/4" (324)	2-7/8" (73)				
8301	Slim Line Plastic										13" (330)					
8501	Full Plastic								4-1/4" (108)	4-1/8" (105)	13-5/8" (346)	3-3/4" (95)				
8501M	Metal															
8501A	Arch. Plastic												3-5/8" (92)	3-1/2" (89)	14" (356)	3-1/8" (79)
8501MA	Arch. Metal												3-1/2" (89)	3-3/8" (86)		3" (76)

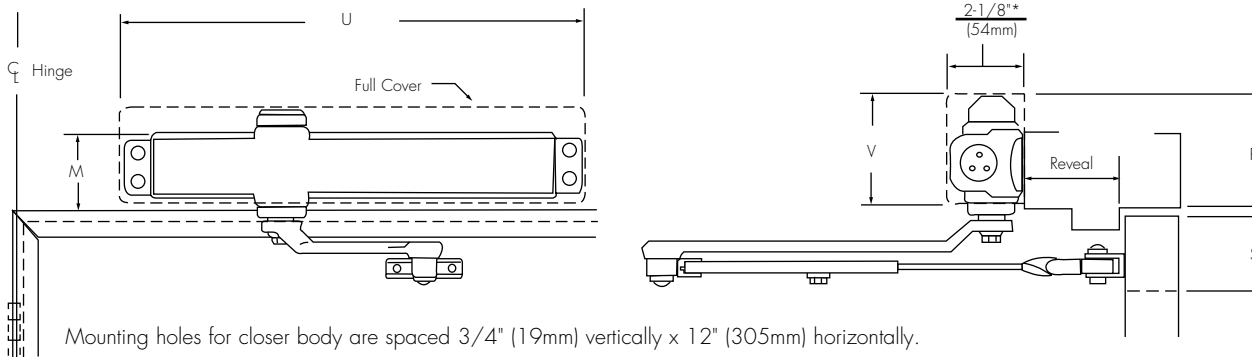
Door Width Inches (cm)		Model Number	
Interior	Exterior	Non-Hold Open	Hold Open
30" (76)	—	8301 8501	8301H 8501H
36" (91)	30" (76)		
48" (122)	36" (91)		
—	48" (122)		
Unusual			

Note: 8301/8501 door closers are set at midpower range from the factory and can be adjusted for door sizes noted above.

* Projection is for Slim Line or Full Covers. Projection for Metal Covers = 2-3/16" (56mm). Projection for Architectural Plastic & Architectural Metal Covers = 2-1/4" (57mm).

Note: Please contact factory if door weight exceeds 250 lbs.

TOP JAMB



Note: All measurements are inches/mm.

Closer Series	Covers	M Minimum Frame Face		P Minimum Ceiling Clearance			S Minimum Top Rail Clearance 5/8" (16mm) Frame Stop									U Closer Length	V Closer Height	
		W/O Drop Plate	With 8146 Drop Plate	With 8148, 8158, 8547, 8547A Drop Plate	W/O Drop Plate	With 8146 Drop Plate	With 8148, 8158, 8547, 8547A Drop Plate	W/O Drop Plate			W/8146 Drop Plate			With 8148/8547 Drop Plate				
								NHO	Low Profile	HO	NHO	Low Profile	HO	NHO	Low Profile			HO
8101	No Cover																12-3/4" (324)	
8301	Slim Line Plastic		1-1/8" (29)	1-1/2" (38)	2-3/4" (70)	1-5/8" (41)	1-1/2" (38)										13" (330)	2-7/8" (73)
8501	Full Plastic	1-3/4" (40)						2-1/4" (57)	N/A	2-1/2" (64)	3-3/8" (86)	2-3/4" (70)	3-5/8" (92)	4-3/8" (111)	3-3/4" (95)	4-5/8" (117)		
8501M	Metal			1-5/8" (41)	3-3/4" (95)		1-5/8" (41)										13-5/8" (346)	3-3/4" (95)
8501A	Arch. Plastic		N/A	1-1/2" (38)	3" (76)	N/A	1-1/2" (38)										14" (356)	3-1/8" (79)
8501MA	Arch. Metal				2-7/8" (73)													3" (76)

Reveal Information

Door Width Inches (cm)		Model Number
Interior	Exterior	
30" (76)	—	8301, 8501
36" (91)	30" (76)	
48" (122)	36" (91)	
—	48" (122)	
Unusual		

Model Number	Reveal Range Inches (mm)	Maximum Door Opening	
		NHO	HO
J8301, J8501	2-3/4" (70) to 4-1/4" (108)	180°	
J8301, J8501	4-1/4" (108) to 7" (178)	150°	
J8301H, J8501H	2-1/8" (54) to 4-1/4" (108)		180°
J8301H, J8501H	4-1/4" (108) to 6-3/4" (171)		150°

Reveal Information (regular arm installed top jamb)

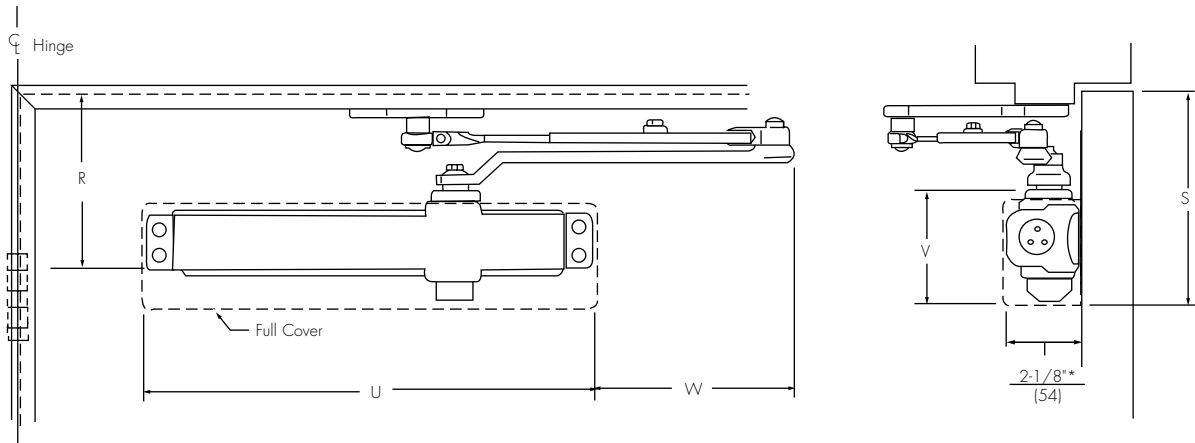
Model Number	Reveal Range Inches (mm)	Maximum Door Opening	
		NHO	HO
8301, 8501	0 to 2-7/8" (73)	180°	
8301, 8501 w/Drop Plate	0 to 2-3/4" (70)	180°	
8301H, 8501H	0 to 2-3/4" (70)		180°

* Projection is for Slim Line or Full Covers. Projection for Metal Covers = 2-3/16" (56mm). Projection for Architectural Plastic & Architectural Metal Covers = 2-1/4" (57mm).
Note: Please contact factory if door weight exceeds 250 lbs.

Note: Reveal range information is based upon 1-3/4" (44mm) doors hung on 4-1/2" wide hinges.
** Drop Plate 8146, 8148, 8158, 8547 or 8547A

8000 SERIES ARCHITECTURAL DOOR CLOSER

PARALLEL ARM



Mounting holes for closer body are spaced 3/4" (19mm) vertically x 12" (305mm) horizontally.

Note: All measurements are inches/mm.

Maximum 180° door swing, conditions permitting.

Closer Series	Covers	R Minimum Top Rail Minimum Top Rail 5/8" (16mm) Frame Stop						S Minimum Top Rail Clearance			U Closer Length	V Closer Height	W Arm Extension
		W/O Drop Plate			With 8148, 8158, 8548, 8548A Drop Plate			NHO	Low Profile	HO			
		NHO	Low Profile	HO	NHO	Low Profile	HO						
8101	No Cover										12-3/4" (324)		8-1/8" (206)
8301	Slim Line Plastic							6-1/4" (159)	5-5/8" (143)	6-1/4" (159)	13" (330)	2-7/8" (73)	8" (203)
8501	Full Plastic	5-1/4" (133)	4-5/8" (117)	5-1/4" (133)	3" (76)	2-3/8" (60)	3" (76)						
8501M	Metal							6-7/8" (175)	6-1/4" (159)	6-7/8" (175)	13-5/8" (346)	3-3/4" (95)	
8501A	Arch. Plastic							6" (152)	5-3/8" (137)	6" (152)	14" (356)	3-1/8" (79)	7-5/8" (194)
8501MA	Arch. Metal							5-7/8" (149)	5-1/4" (133)	5-7/8" (149)			3" (76)

^Not available for doors that swing 180°

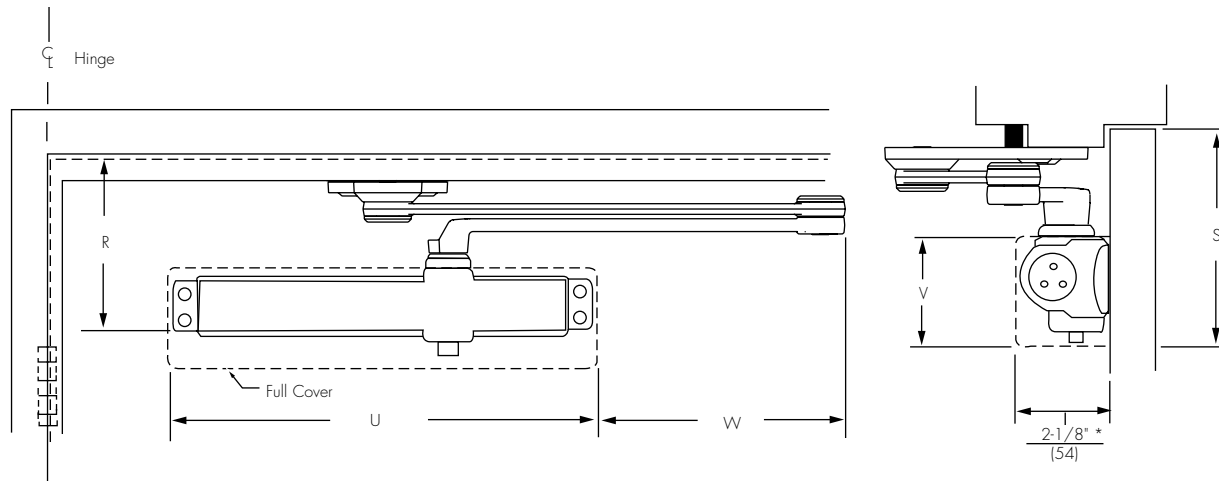
Door Width Inches (cm)		Model Number	
Interior	Exterior	Non-Hold Open	Hold Open
30" (76)	—	8301 8501	8301H 8501H
36" (91)	30" (76)		
42" (107)	36" (91)		
48" (122)	42" (107)		
—	48" (122)		

Note: 8301/8501 door closers are set at midpower range from the factory and can be adjusted for door sizes noted above.

* Projection is for Slim Line or Full Covers. Projection for Metal Covers = 2-3/16" (56mm). Projection for Architectural Plastic & Architectural Metal Covers = 2-1/4" (57mm).

Note: Please contact factory if door weight exceeds 250 lbs.

PARALLEL RIGID ARM



Mounting holes for closer body are spaced 3/4" (19mm) vertically x 12" (305mm) horizontally.
Note: All measurements are inches/mm.
Maximum 180° door swing, conditions permitting.

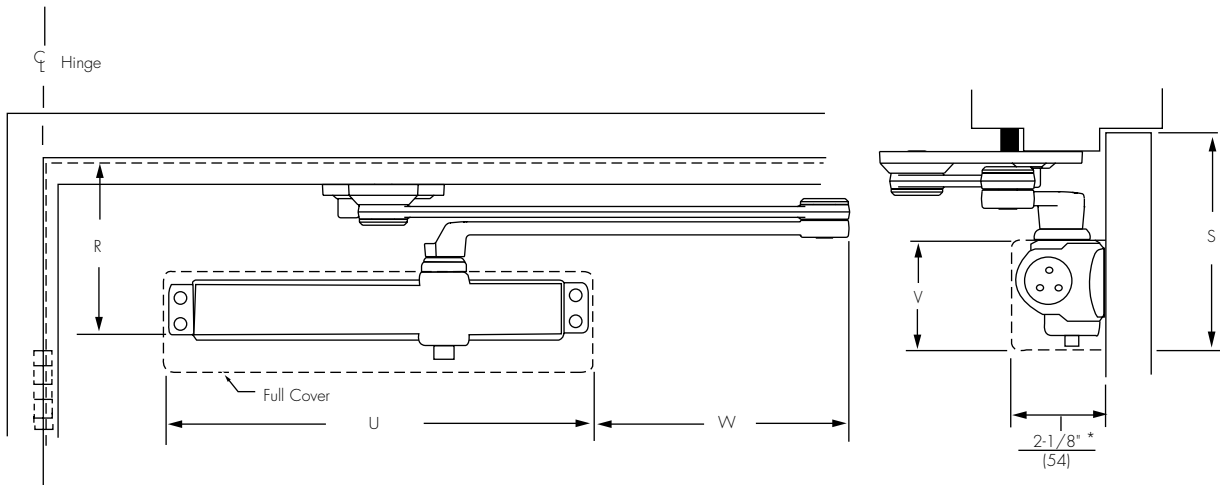
Closer Series	Covers	R Minimum Top Rail		S Minimum Top Rail Clearance	U Closer Length	V Closer Height	W Arm Extension
		W/O Drop Plate	With Drop Plate				
8101	No Cover	4-5/8" (117)	2-3/8" (60)	5-7/8" (149)	12-3/4" (324)	2-7/8" (73)	8" (203)
8301	Slim Line Plastic				13" (330)		
8501	Full Plastic				13-5/8" (346)		
8501M	Metal			6-1/2" (165)	3-7/8" (98)	7-5/8" (194)	
8501A	Arch. Plastic			6" (152)	3-1/8" (79)	7-1/2" (191)	
8501MA	Arch. Metal			5-7/8" (149)	3" (76)		

Door Width (Wood or Metal) Inches (cm)		Model Number	
Interior	Exterior	Stop Only	Hold Open
28" (71) - 32" (81)	—	PR8301 PR8501	PR8301H PR8501H
33" (84) - 36" (91)	28" (71) - 32" (81)		
37" (94) - 41" (104)	33" (84) - 36" (91)		
42" (107) - 48" (122)	37" (94) - 41" (104)		
—	42" (107) - 48" (122)		

Note: 8301/8501 door closers are set at midpower range from the factory and can be adjusted for door sizes noted above.
* Projection is for Slim Line or Full Covers. Projection for Metal Covers = 2-3/16" (56mm). Projection for Architectural Plastic & Architectural Metal Covers = 2-1/4" (57mm).
Note: Please contact factory if door weight exceeds 250 lbs.

8000 SERIES ARCHITECTURAL DOOR CLOSER

CLOSERPLUS® ARM



Mounting holes for closer body are spaced 3/4" (19mm) vertically x 12" (305mm) horizontally.
Note: All measurements are inches/mm.

Closer Series	Covers	R Minimum Top Rail		S Minimum Top Rail Clearance	U Closer Length	V Closer Height	W Arm Extension	
		W/O Drop Plate	With Drop Plate					
8101	No Cover	4-5/8" (117)	2-3/8" (60)	5-7/8" (149)	12-3/4" (324)	2-7/8" (73)	8" (203)	
8301	Slim Line Plastic				13" (330)			
8501	Full Plastic			6-1/2" (165)	13-5/8" (346)	3-7/8" (98)	7-5/8" (194)	
8501M	Metal				6" (152)	14" (356)	3-1/8" (79)	7-1/2" (191)
8501A	Arch. Plastic						3" (76)	
8501MA	Arch. Metal				5-7/8" (149)			

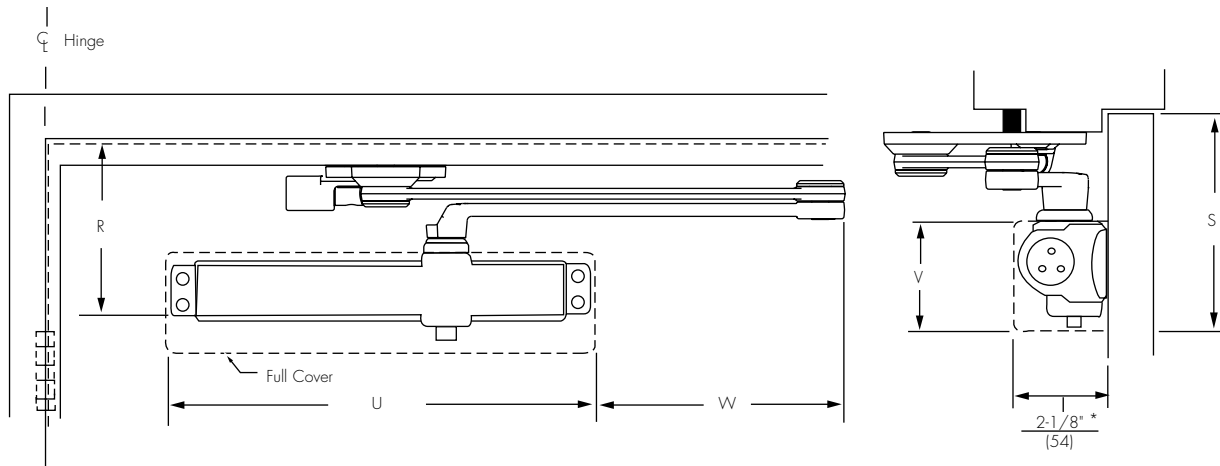
Door Width (Wood or Metal) Inches (cm)		Model Number		
Interior	Exterior	Stop Only	Thumbturn Hold Open	Ramp Hold Open
28" (71) - 32" (81)	—	CLP8301 CLP8501	CLP8301T CLP8501T	CLP8301R CLP8501R
33" (84) - 36" (91)	28" (71) - 32" (81)			
37" (94) - 41" (104)	33" (84) - 36" (91)			
42" (107) - 48" (122)	37" (94) - 41" (104)			
—	42" (107) - 48" (122)			

Note: 8301/8501 door closers are set at midpower range from the factory and can be adjusted for door sizes noted above.

* Projection is for Slim Line or Full Covers. Projection for Metal Covers = 2-3/16" (56mm). Projection for Architectural Plastic & Architectural Metal Covers = 2-1/4" (57mm).

Note: Please contact factory if door weight exceeds 250 lbs.

CLOSERPLUS SPRING™ ARM



Mounting holes for closer body are spaced 3/4" (19mm) vertically x 12" (305mm) horizontally.
Note: All measurements are inches/mm.

Closer Series	Covers	R Minimum Top Rail		S Minimum Top Rail Clearance	U Closer Length	V Closer Height	W Arm Extension
		W/O Drop Plate	With Drop Plate				
8101	No Cover	4-5/8" (117)	2-3/8" (60)	5-7/8" (149)	12-3/4" (324)	2-7/8" (73)	8" (203)
8301	Slim Line Plastic				13" (330)		
8501	Full Plastic				6-1/2" (165)		
8501M	Metal			6" (152)	13-5/8" (346)	3-7/8" (98)	7-5/8" (194)
8501A	Arch. Plastic			5-7/8" (149)	14" (356)	3-1/8" (79)	7-1/2" (191)
8501MA	Arch. Metal					3" (76)	

Door Width (Wood or Metal) Inches (cm)		Model Number	
Interior	Exterior	Stop Only	Hold Open
28" (71) - 32" (81)	—	CPS8301 CPS8501	CPS8301T CPS8501T
33" (84) - 36" (91)	28" (71) - 32" (81)		
37" (94) - 41" (104)	33" (84) - 36" (91)		
42" (107) - 48" (122)	37" (94) - 41" (104)		
—	42" (107) - 48" (122)		

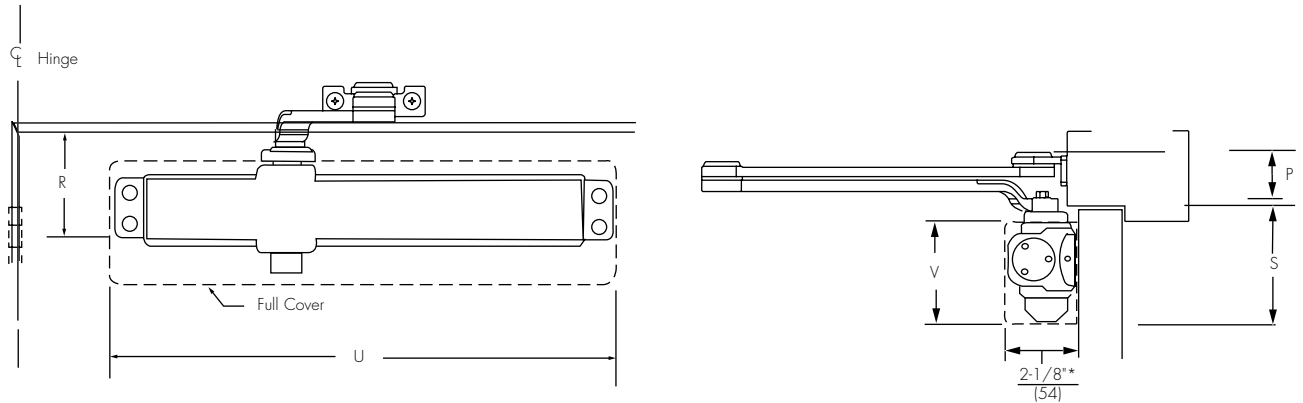
Note: 8301/8501 door closers are set at midpower range from the factory and can be adjusted for door sizes noted above.

* Projection is for Slim Line or Full Covers. Projection for Metal Covers = 2-3/16" (56mm). Projection for Architectural Plastic & Architectural Metal Covers = 2-1/4" (57mm).

Note: Please contact factory if door weight exceeds 250 lbs.

8000 SERIES ARCHITECTURAL DOOR CLOSER

REGULAR RIGID HEAVY-DUTY ARM



Mounting holes for closer body are spaced 3/4" (19mm) vertically x 12" (305mm) horizontally.

Note: All measurements are inches/mm.

Maximum 180° door swing, conditions permitting.

Closer Series	Covers	P Minimum Ceiling Clearance	R Minimum Top Rail		S Minimum Top Rail Clearance	U Closer Length	V Closer Height
			W/O Drop Plate	W/8146 Drop Plate			
		NHO	NHO	NHO	NHO		
8101	No Cover	1-3/4" (44)	2-1/2" (64)	1-5/8" (41)	3-1/2" (89)"	12-3/4" (324)	2-7/8" (73)
8301	Slim Line Plastic					13" (330)	
8501	Full Plastic				14" (356)	4-1/4" (108)	3-3/4" (95)
8501M	Metal					3-5/8 (92)	
8501A	Arch. Plastic					3-1/2" (89)	3-1/8" (79)
8501MA	Arch. Metal						

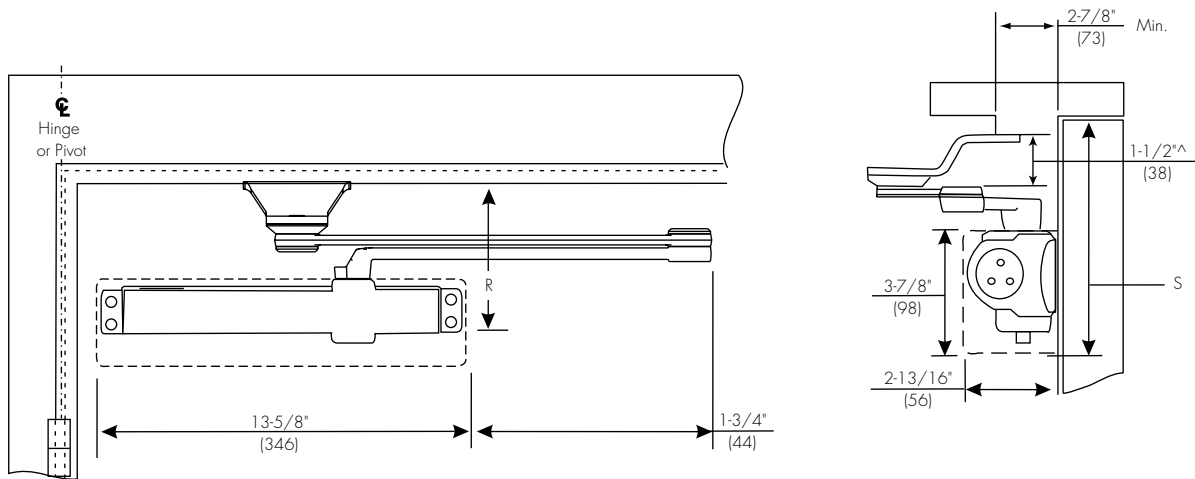
Door Width (Wood or Metal) Inches (cm)		Model Number
Interior	Exterior	Non-Hold Open Only R8301 R8501
36" (91)	30" (76)	
42" (107)	36" (91)	
46" (117)	42" (107)	
54" (137)	48" (122)	
—	52" (132)	

Note: 8301/8501 series door closers are set at midpower range from the factory and can be adjusted for door sizes noted above.

* Projection is for Slim Line or Full Covers. Projection for Metal Covers = 2-3/16" (56mm). Projection for Architectural Plastic & Architectural Metal Covers = 2-1/4" (57mm).

Note: Please contact factory if door weight exceeds 250 lbs.

PARALLEL RIGID OFFSET ARM



Mounting holes for closer body are spaced 3/4" (19mm) vertically x 12" (305mm) horizontally.
 ^ If clearance greater than 1-1/2" is needed, 6891 spacer block is required.

R (inches/mm) Minimum Top Rail of Door with 5/8" (16mm) Frame Stop		S Minimum Top Rail of Door	
Without 6891 Spacer	With 6891 Spacer	Without 6891 Spacer	With 6891 Spacer
7-1/8" (181)	7-5/8" (194)	7-5/8" (194)	8-1/8" (206)

Door Width Inches (cm)		Model Number	
Interior	Exterior	Non-Hold Open	Hold Open*
30" (76)	—	PRO8301 PRO8501	PRO8301H PRO8501H
36" (91)	32" (81)		
42" (107)	36" (91)		
48" (122)	42" (107)		
—	48" (122)		

Note: 8301/8501 series door closers are set at midpower range from the factory and can be adjusted for door sizes noted above.

* Projection is for Slim Line or Full Covers. Projection for Metal Covers = 2-3/16" (56mm). Projection for Architectural Plastic & Architectural Metal Covers = 2-1/4" (57mm).

+ Specify hand when ordering.

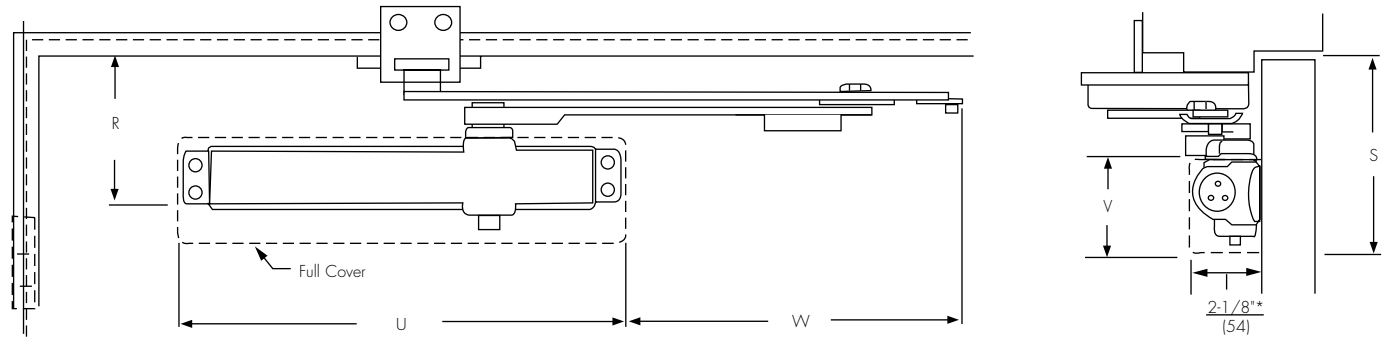
Note: Please contact factory if door weight exceeds 250 lbs.

8000 SERIES ARCHITECTURAL DOOR CLOSER

PARALLEL UNITROL® ARM

Mounting holes for closer body are spaced 3/4" (19mm) vertically x 12" (305mm) horizontally.

⌋ Hinge



Closer Series	Door Width	Covers	R Minimum Top Rail		S Minimum	U Closer Length	V Closer Height	W Arm Extension			
			W/O Drop Plate	With Drop Plate							
8301	28-32	Slim Line	4-3/4" (121)	2-1/2" (64)	5-3/4" (146)	13" (330)	2-7/8" (73)	8-3/8" (213)			
	33-41							9-7/8" (251)			
	42-48							11-1/4" (286)			
8501	33-41 [^]	Full Plastic	4-3/4" (121)	2-1/2" (64)	5-3/4" (146)	13" (330)	2-7/8" (73)	9-7/8" (251)			
8501M		Metal						6-3/8" (162)	13-5/8" (346)	3-7/8" (98)	9-1/2" (241)
8501A		Arch. Plastic						5-1/2" (140)	14" (356)	3-1/8" (79)	9-3/8" (238)
8501MA		Arch. Metal						5-3/8" (137)		3" (76)	9" (229)

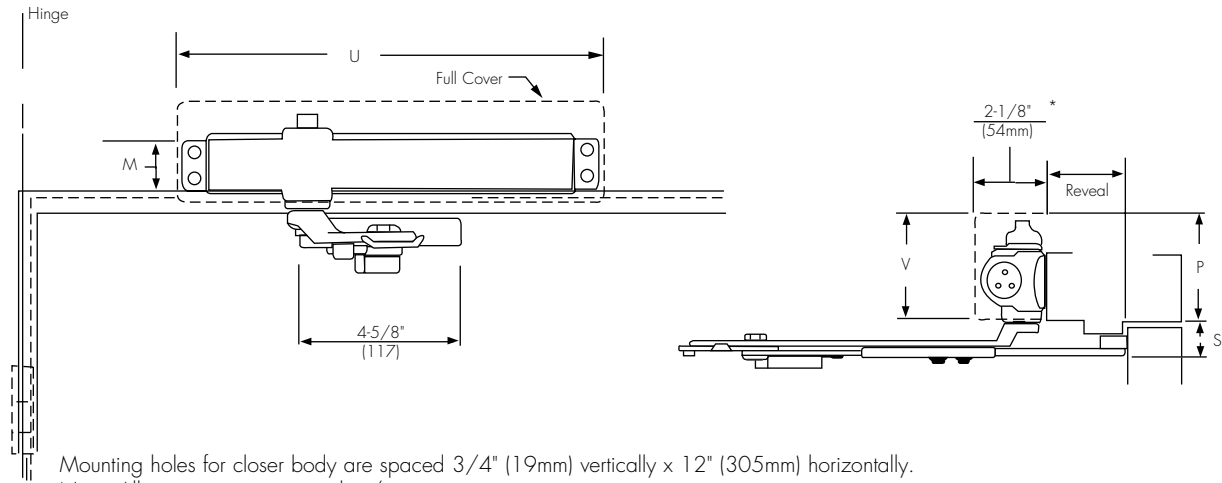
[^] Consult installation instructions for additional door width dimensions.

Door Width (Wood or Metal) Inches (cm)		Model Number		
Interior	Exterior	Sized Closers		x Specify Door Width
		Stop Only	Hold Open	
28" (71) - 32" (81)	—	UNI8301 UNI8501	UNI8301H UNI8501H	
33" (83) - 36" (91)	28" (71) - 32" (81)			
37" (94) - 41" (104)	33" (83) - 36" (91)			
42" (107) - 48" (122)	37" (94) - 41" (104)			
—	42" (107) - 48" (122)			

* Projection is for Slim Line or Full Covers. Projection for Metal Covers = 2-3/16" (56mm). Projection for Architectural Plastic & Architectural Metal Covers = 2-1/4" (57mm).

Note: Please contact factory if door weight exceeds 250 lbs.

TOP JAMB UNITROL® ARM



Mounting holes for closer body are spaced 3/4" (19mm) vertically x 12" (305mm) horizontally.
Note: All measurements are inches/mm

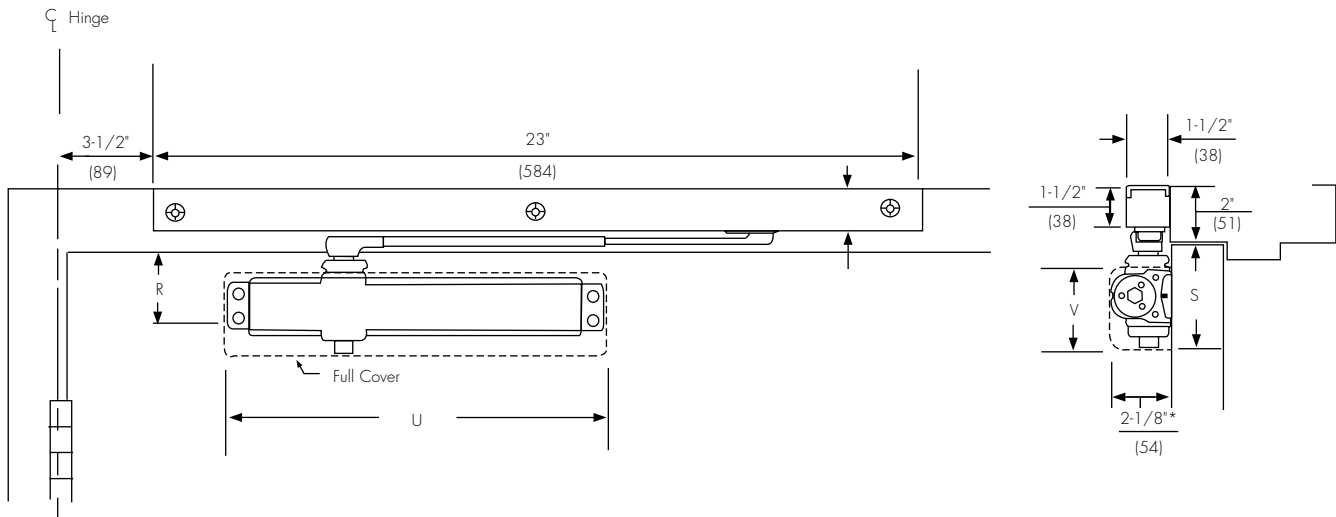
Series	Closer	M Covers Frame Face		P Minimum Ceiling Clearance		S Minimum Top Rail Clearance		U Closer Length	V Closer Height
		W/O Drop Plate	With 8148, 8158, 8547, 8547A Drop Plate	W/O Drop Plate	With Drop Plate	W/O Drop Plate	With 8148, 8158, 8547, 8547A Drop Plate		
8301	Slim Line		1-1/2" (38)	2-3/4" (70)	1-1/2" (38)			13" (330)	2-7/8" (73)
8501	Full								
8501M	Metal	1-3/4" (44)	1-5/8" (41)	3-3/4" (95)	1-5/8" (41)	1-7/8" (48)	3-3/4" (95)	13-5/8" (346)	3-7/8" (98)
8501A	Arch. Plastic		1-1/2" (38)	3" (76)	1-1/2" (38)			14" (356)	3-1/8" (79)
8501MA	Arch. Metal			2-7/8" (73)					

Door Width (Wood or Metal) Inches (cm)		Model Number		
Interior	Exterior	Non-Hold Open	Hold Open	x Specify Frame Reveal
28" (71) - 30" (76)	—	UNIJ8301 UNIJ8501	UNIJ8301H UNIJ8501H	
31" (79) - 36" (91)	28" (71) - 30" (76)			
37" (94) - 42" (107)	31" (79) - 36" (91)			
43" (109) - 48" (122)	37" (94) - 42" (107)			
—	43" (109) - 48" (122)			

Note: 8301/8501 door closers are set at midpower range from the factory and can be adjusted for door sizes noted above.
* Projection is for Slim Line or Full Covers. Projection for Metal Covers = 2-3/16" (56mm). Projection for Architectural Plastic & Architectural Metal Covers = 2-1/4" (57mm).
Note: Please contact factory if door weight exceeds 250 lbs.

8000 SERIES ARCHITECTURAL DOOR CLOSER

PULL SIDE SLIDE TRACK



Mounting holes for closer body are spaced 3/4" (19mm) vertically x 12" (305mm) horizontally.
Note: All measurements are inches/mm

Closer Series	R Minimum Top Rail		S Minimum Top Rail Clearance				U Closer Length				V Closer Height			
	W/O Drop Plate	With 8146 Drop Plate	Slim or Full Cover	Metal Cover	Arch Plastic	Arch Metal	Slim or Full Cover	Metal Cover	Arch Plastic	Arch Metal	Slim or Full Cover	Metal Cover	Arch Plastic	Arch Metal
8301ST	2-1/2" (64)	1-5/8" (41)	3-1/2" (89)	4-1/8" (105)	3-5/8" (92)	3-1/2" (89)	13" (330)	13-5/8" (346)	14" (356)		2-7/8" (73)	3-3/4" (95)	3-1/8" (79)	3" (76)
8501ST														

Door Width (Wood or Metal) Inches (cm)		Model Number		
		Non-Hold Open		Hold Open
Interior	Exterior	85°-110°	85°-180°	85°-110°
32" (81)	—	8301ST 8501ST	8301ST-180 8501ST-180	8301STH 8501STH
38" (97)	32" (81)			
48" (122)	38" (97)			

Note: 8301/8501 door closers are set at midpower range from the factory and can be adjusted for door sizes noted above.

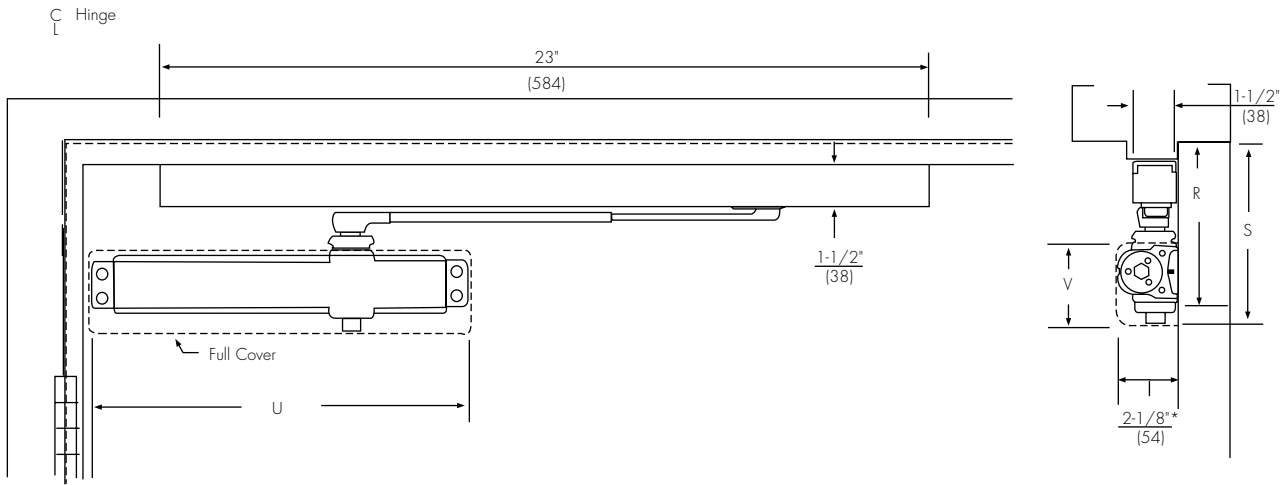
* Projection is for Slim Line or Full Covers. Projection for Metal Covers = 2-3/16" (56mm). Projection for Architectural Plastic & Architectural Metal Covers = 2-1/4" (57mm).

◆Track is furnished with a spring buffered stop. Additional stop, by others, is recommended where abusive conditions are anticipated.

^Track is supplied without the spring buffered assembly. An auxiliary door stop, by others, is required.

Note: Please contact factory if door weight exceeds 250 lbs.

PUSH SIDE SLIDE TRACK



Mounting holes for closer body are spaced 3/4" (19mm) vertically x 12" (305mm) horizontally.
Note: All measurements are inches/mm

Closer Series	R Minimum Top Rail		S Minimum Top Rail Clearance				U Closer Length				V Closer Height			
	W/O Drop Plate	With 8146, 8158, 8548, 8548A Drop Plate	Slim or Full Cover	Metal Cover	Arch Plastic	Arch Metal	Slim or Full Cover	Metal Cover	Arch Plastic	Arch Metal	Slim or Full Cover	Metal Cover	Arch Plastic	Arch Metal
PS8301ST	5"	2-3/4"	6"	6-5/8"	6-1/8"	6"	13"	13-5/8"	14"	2-7/8"	3-3/4"	3-1/8"	3"	
PS8501ST	(127)	(70)	(152)	(168)	(156)	(152)	(330)	(346)	(356)	(73)	(95)	(79)	(76)	

Door Width (Wood or Metal) Inches (cm)		Non-Hold Open	Hold Open
Interior	Exterior	85°- 100°	
32" (81)	—	PS8301ST PS8501ST	PS8301STH PS8501STH
38" (97)	32" (81)		
48" (122)	38" (97)		

All track assemblies are supplied with a spring buffered stop**

Note: 8301/8501 door closers are set at midpower range from the factory and can be adjusted for door sizes noted above.

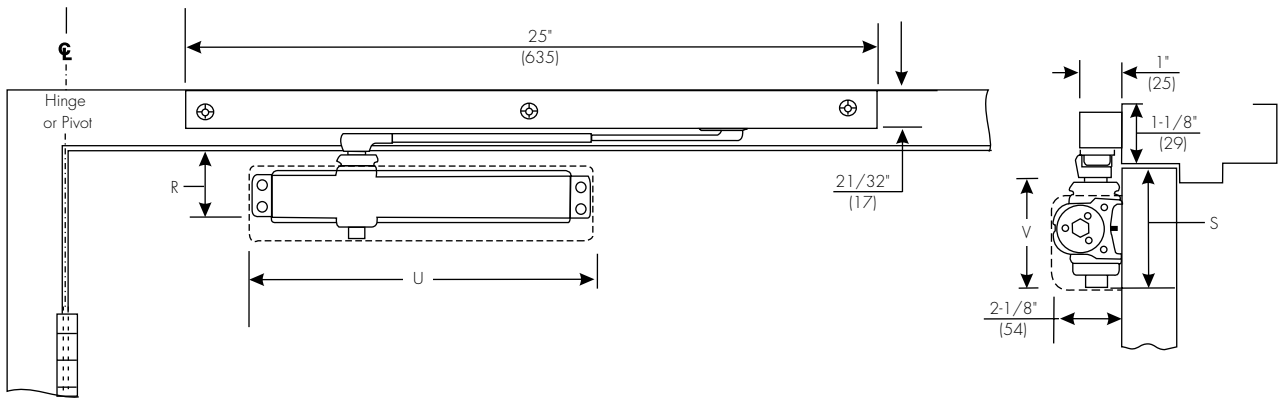
* Projection is for Slim Line or Full Covers. Projection for Metal Covers = 2-3/16" (56mm). Projection for Architectural Plastic & Architectural Metal Covers = 2-1/4" (57mm).

** A separate door stop, by others, is recommended where abusive conditions are anticipated.

Note: Please contact factory if door weight exceeds 250 lbs.

8000 SERIES ARCHITECTURAL DOOR CLOSER

LOW PROFILE PULL SIDE SLIDE TRACK



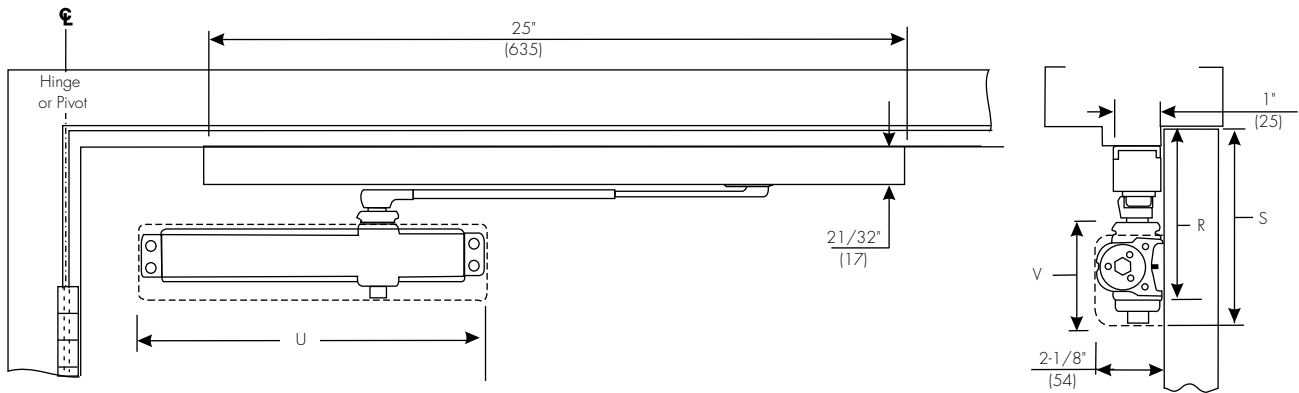
Mounting holes for closer body are spaced 3/4" (19mm) vertically x 12" (305mm) horizontally.

Closer Series	R Minimum Top Rail		S Minimum Top Rail Clearance				U Closer Length				V Closer Height			
	W/O Drop Plate	With 8146 Drop Plate	Slim or Full Cover	Metal Cover	Arch Plastic	Arch Metal	Slim or Full Cover	Metal Cover	Arch Plastic	Arch Metal	Slim or Full Cover	Metal Cover	Arch Plastic	Arch Metal
8301ST	2-1/2" (64)	5/8" (16)	3" (76)	4-5/8" (117)	3-1/8" (79)	3" (76)	13" (330)	13-5/8" (346)	14" (356)		3" (76)	3-7/8" (98)	3-1/4" (83)	3-1/8" (79)
8501ST														

Door Width Inches (cm)	Model Number	
	Non-Hold Open	Hold Open
32" (81)	8341ST 8541ST	8341STH 8541STH
38" (97)		
48" (122)		

Note: 8301/8501 door closers can be adjusted for door sizes noted. Multi-size closers are set at mid power range from the factory.
*Projection is for Slim Line or Full Covers. Projection for Metal Covers = 2-3/16" (56mm). Projection for Architectural Plastic & Architectural Metal Covers = 2-1/4" (57mm).
Note: Please contact factory if door weight exceeds 250 lbs.

LOW PROFILE PUSH SIDE SLIDE TRACK



Mounting holes for closer body are spaced 3/4" (19mm) vertically x 12" (305mm) horizontally.

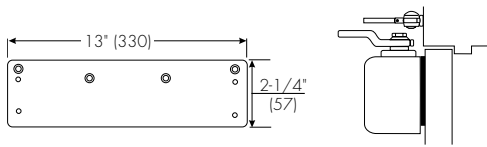
Closer Series	R Minimum Top Rail		S Minimum Top Rail Clearance				U Closer Length				V Closer Height			
	W/O Drop Plate	With 8146, 8158, 8548, 8548A Drop Plate	Slim or Full Cover	Metal Cover	Arch Plastic	Arch Metal	Slim or Full Cover	Metal Cover	Arch Plastic	Arch Metal	Slim or Full Cover	Metal Cover	Arch Plastic	Arch Metal
PS8301ST	4" (102)	1-3/4" (44)	5" (127)	5-5/8" (143)	5-1/8" (130)	5" (127)	13" (330)	13-5/8" (346)	14" (356)		3" (76)	3-7/8" (98)	3-1/4" (83)	3-1/8" (79)
PS8501ST														

Door Width Inches (cm)	Model Number	
	Non-Hold Open	Hold Open
32" (81)	PS8341ST PS8541ST	PS8341STH PS8541STH
38" (97)		
48" (122)		

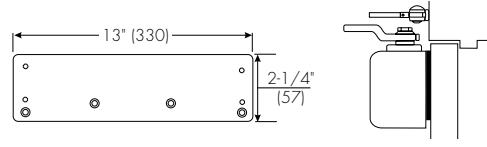
Note: 8301/8501 door closers can be adjusted for door sizes noted. Multi-size closers are set at mid power range from the factory.
*Projection is for Slim Line or Full Covers. Projection for Metal Covers = 2-3/16" (56mm). Projection for Architectural Plastic & Architectural Metal Covers = 2-1/4" (57mm).
Note: Please contact factory if door weight exceeds 250 lbs.

REGULAR ARM

Closer Mounting Plates
Slim Line Installations

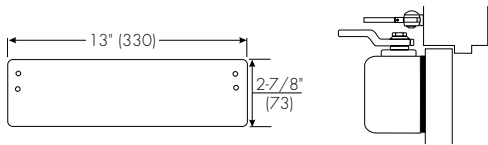


Narrow Top Rail - #8146 Drop Plate: For use where the narrow top rail of the door prevents the closer from being mounted directly on to the door surface. This drop plate must be used for any Series 8000 closer mounted on a top rail between 1-9/16" and 2-7/16" (40 and 62mm) in height, or any Series 8080 closer mounted on a top rail between 1-7/16" and 2-5/16" (36 and 59mm) in height.

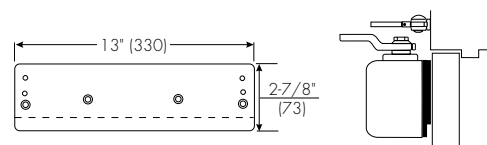


Concealed Door Holder - #8146 Drop Plate: For use where a concealed door holder prevents normal mounting of the closer to the door. This is the same plate used for narrow rail mounting, but is inverted for this application to permit the mounting screws to clear the bottom of the door-holder preparation in the top rail of the door. This places the centerline of the plate's upper mounting screws at 2-3/16" (56mm) from the top of the door.

Full Cover Installations

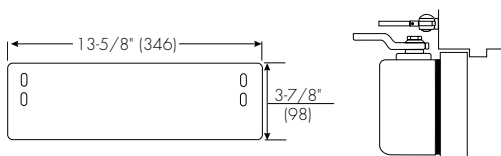


Exposed Back - #8445 Molded Full Cover Decorative Back Plate: For use on doors with glass lights where a closer with a molded full cover is installed and the closer back is exposed. This plate covers the back of the installation to give a pleasing appearance from the reverse side.

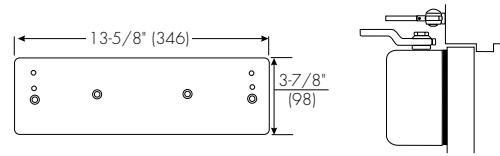


Exposed Back/Narrow Top Rail - Exposed Back Concealed Door Holder - #8446 Molded Full Cover Drop Plate Kit: For use with molded full cover installation when an 8146 Plate is needed as a drop plate on a narrow top rail, or as a clearance plate for a concealed door holder, and the closer back is exposed. Kit contains an 8146 Drop Plate and an 8445 Decorative Plate.

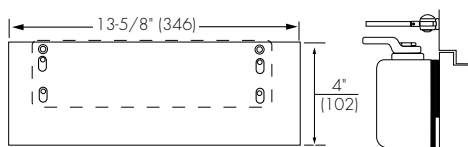
Metal Cover Installations



Exposed Back - #8545 Metal Cover Decorative Back Plate: For use on doors with glass lights where a closer with a metal full cover is installed and the closer back is exposed. This plate covers the back of the installation to give a pleasing appearance from the reverse side.



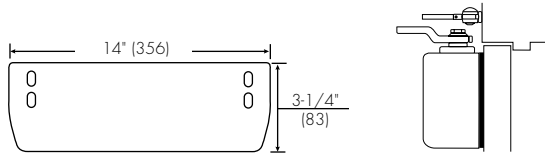
Concealed Door Holder - #8546 Metal Cover Drop Plate: For use where a concealed door holder prevents the normal mounting of the closer to the door. This plate permits the mounting screws to clear the bottom of the door-holder preparation in the top rail of the door. This places the centerline of the plate's upper mounting screws at 2-3/16" (56mm) from the top of the door.



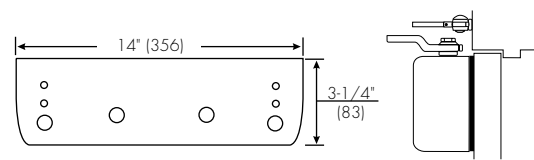
Exposed Back/Narrow Top Rail - #8549 Metal Cover Drop Plate Kit: For use with metal full cover installations, when an 8146 Plate is needed as a drop plate on a narrow top rail and the closer back is exposed. Kit contains an 8146 Drop Plate and an 8545 Decorative Plate.

REGULAR ARM

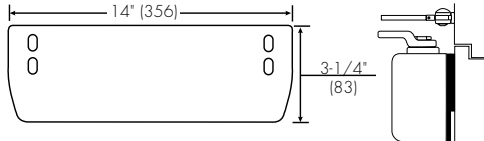
Closer Mounting Plates
 Architectural Plastic or Metal Cover Installations



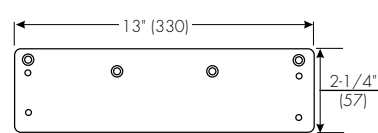
Exposed Back - #8545A Architectural Plastic or Architectural Metal Cover Decorative Back Plate: For use on doors with glass lights where a closer with an architectural plastic or metal cover is installed and the closer back is exposed. This plate covers the back of the installation to give a pleasing appearance from the reverse side.



Concealed Door Holder - #8546A Architectural Plastic or Architectural Metal Cover Drop Plate: For use where a concealed door holder prevents the normal mounting of the closer to the door. This plate permits the mounting screws to clear the bottom of door-holder preparation in the top rail of the door. This places the centerline of the plate's upper mounting screws at 2-3/16" (56mm) from the top of the door.

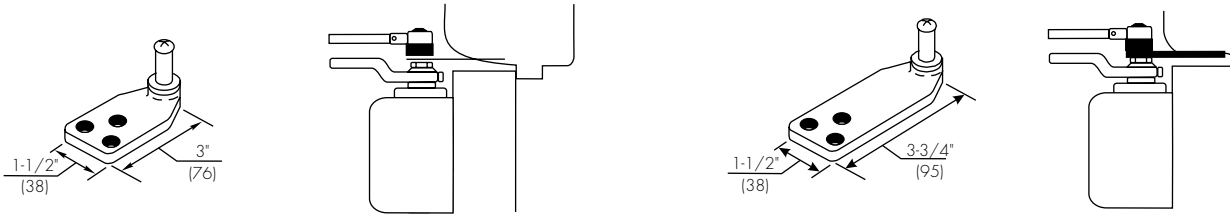


Exposed Back/Narrow Top Rail - #8549A Architectural Plastic or Architectural Metal Cover Drop Plate Kit: For use with architectural plastic or metal cover installations when an 8146 plate is needed as a drop plate on a narrow top rail and the closer back is exposed. Kit contains an 8146 Drop Plate and an 8545A Decorative Plate.



REGULAR ARM

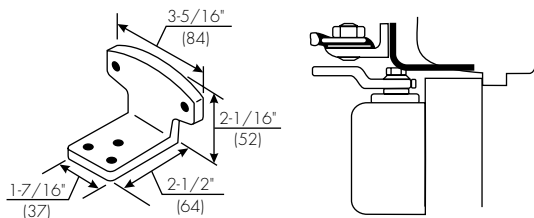
Brackets for Non-Hold Open Arms



Molded/Bull Nose Trim - #2403B Bracket: For use where the door frame has molded or bull nose trim which will not accept a standard non-hold open shoe. The bracket is mortised into the frame rabbet, and projects beyond the face of the frame. It will accommodate a frame rabbet up to 2" (51mm) deep.

Molded / Bull Nose Trim - #2403-3/4 Bracket: This bracket is similar to, but longer than, the 2403B bracket. It is designed to accommodate frame rabbets from 2" to 2-7/8" (51 to 73mm) deep.

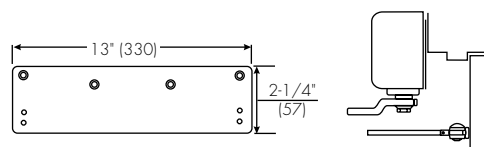
Brackets for Hold Open Arms



Molded / Bull Nose Trim - #80 Bracket: For use where the door frame has molded or bull nose trim which will not accept a standard hold open shoe. It is mortised into the frame rabbet, and projects beyond the face of the frame. It will accommodate a rabbet up to 2" (51mm) deep. This bracket is used in combination with the standard hold-open mounting shoe.

TOP JAMB ARM

Closer Mounting Plates
Slim Line Installations

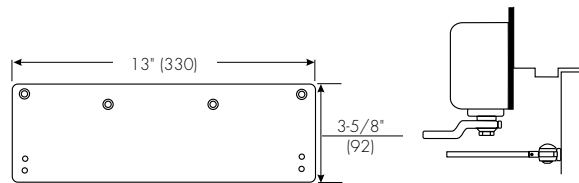


Low Ceiling Clearance - #8146 Drop Plate: For use where low ceiling clearance prevents normal top jamb mounting. This plate is used when clearance is from 1-7/8" to 2-7/8" (48 to 73mm). Where ceiling clearance is less than 1-7/8" (48mm) see #8148 Drop Plate on page 30.

Overhead Door Holder - #8146 Drop Plate: For use where a surface or concealed overhead door holder prevents normal top jamb mounting. This plate drops the closer and allows arm mounting screws to clear the bottom of the door holder. This places the centerline of the arm mounting screws at 2-7/8" (73mm) from the top of the door.

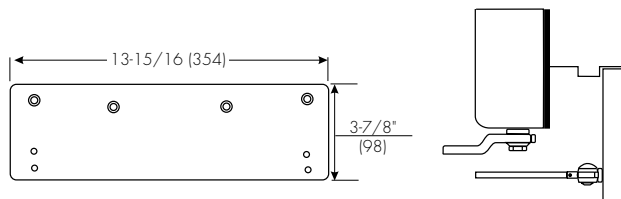
TOP JAMB ARM

Closer Mounting Plates
Slim Line Installations



Low Ceiling Clearance - #8148 Drop Plate: For use where the ceiling clearance is between 1-1/2" and 1-3/4" (38 and 44mm).

Metal Cover Installations

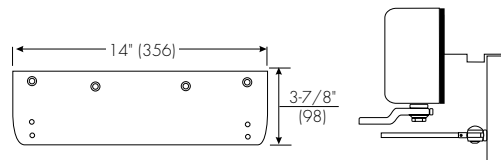


Low Ceiling Clearance -
Overhead Door Holder -

#8547 Metal Full Cover Drop Plate: For use where a low ceiling clearance prevents normal top jamb mounting. This plate is used when the clearance is between 1-5/8" and 3-7/8" (41 and 98mm). Or for use where a surface or concealed overhead door holder prevents normal top jamb mounting of a

closer with a metal full cover. This plate drops the closer and allows arm mounting screws to clear the bottom of the door holder. This places the centerline of the arm mounting screws at 3-7/8" (98mm) from the top of the door.

Architectural Plastic or Metal Cover Installations



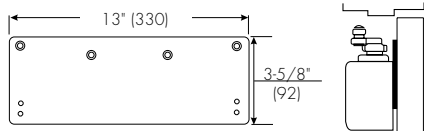
Low Ceiling Clearance -
Overhead Door Holder -

#8547A Architectural Plastic or Architectural Metal Cover Drop Plate: For use where low ceiling clearance prevents normal top jamb mounting. This plate is used when the clearance is between 1-5/8" and 3-7/8" (41 and 98mm). Also for use where a surface or concealed overhead door holder prevents normal top jamb mounting of a closer with an

architectural plastic or metal full cover. This plate drops the closer and allows arm mounting screws to clear the bottom of the door holder. This places the centerline of the arm mounting screws at 3-7/8" (98mm) from the top of the door.

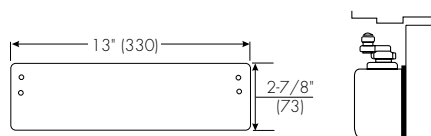
PARALLEL ARM

Closer Mounting Plates Slim Line Installations

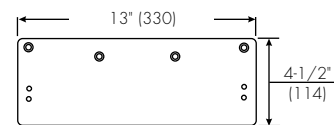


Narrow Top Rail - #8148 Drop Plate: For use where a narrow top rail prevents the closer from being mounted directly to the door surface. This drop plate can be used to mount a closer on a top rail as narrow as 2-7/8" (73mm) in height.

Full Cover Installations

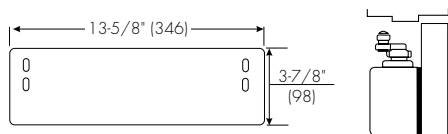


Exposed Back - #8445 Molded Full Cover Decorative Back Plate: For use on doors with glass lights where a closer with molded full cover is installed and the closer back is exposed. This plate covers the back of the installation to give a pleasing appearance from the reverse side.

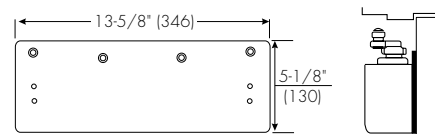


Exposed Back/Narrow Top Rail - #8158 Molded Full Cover Drop Plate: For use on doors with glass lights where a closer with molded full cover is installed and the back of the closer is exposed. This covers the back of the installation and gives a pleasing appearance from the reverse side.

Metal Cover Installations

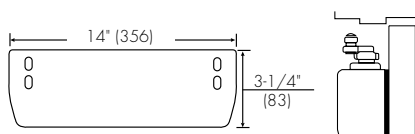


Exposed Back - #8545 Metal Full Cover Decorative Back Plate: For use on doors with glass lights where a closer with full metal cover is installed and the back of the closer is exposed. This plate covers the back of the installation and gives a pleasing appearance from the reverse side.

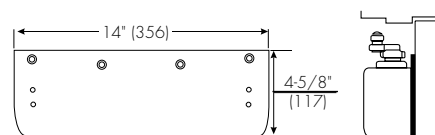


Exposed Back/Narrow Top Rail - #8548 Metal Full Cover Drop Plate: For use on doors with glass lights where a closer with metal full cover is installed on a narrow top rail, and the back of the cover is exposed. This drop plate can be used to mount a closer on a top rail as narrow as 2-7/8" (73mm) in height. This plate covers the back of the installation and gives a pleasing appearance from the reverse side.

Architectural Plastic or Metal Cover Installations



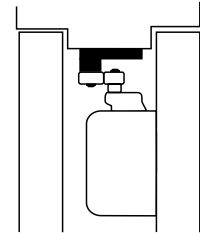
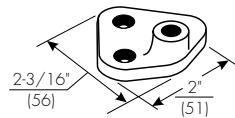
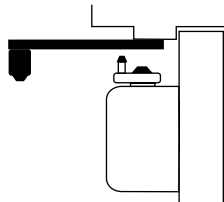
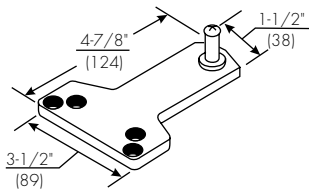
Exposed Back - #8545A Architectural Plastic or Architectural Metal Cover Decorative Back Plate: For use on doors with glass lights where a closer with an architectural plastic or metal cover is installed and the closer back is exposed. This plate covers the back of the installation to give a pleasing appearance from the reverse side.



Exposed Back/Narrow Top Rail - #8548A Architectural Plastic or Architectural Metal Cover Drop Plate: For use on doors with glass lights where a closer with an architectural plastic or metal cover is installed on a narrow top rail, and the back of the cover is exposed. This drop plate can be used to mount a closer on a top rail as narrow as 2-7/8" (73mm) in height. This plate covers the back of the installation to give a pleasing appearance from the reverse side.

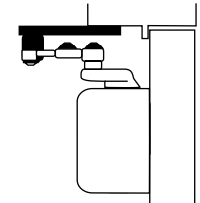
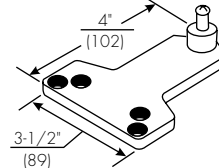
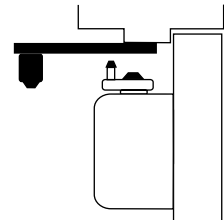
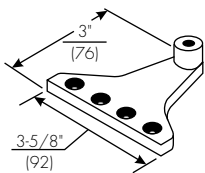
PARALLEL ARM

Brackets for Non-Hold Open Arms



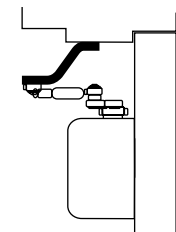
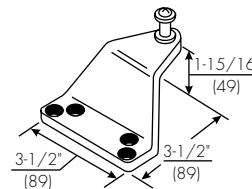
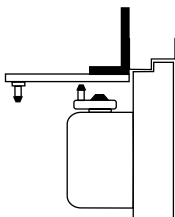
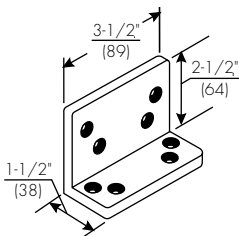
Standard Installation - #1618A Soffit Plate: This soffit plate is supplied standard with parallel arm closers. It can be mounted where the frame soffit is as narrow as 1" (25 mm).

Mounting between Doors - #2018 Soffit Bracket: For use where insufficient space between companion doors does not permit use of other soffit plates. This bracket permits mounting of the closer between doors with as little as 3" (76mm) of header space. Permits closer arm to clear up to 5/8" (16mm) high stop.



Narrow Frame/Removable Stop - #2018B Soffit Plate: For use where a narrow frame or frame with removable stop does not permit use of the standard soffit plate. This soffit plate may be mounted on the frame soffit or the frame rabbet where the stop does not exceed 5/8" (16mm) in height. All of the screw holes are in a straight line, requiring as little as 1-1/4" (32mm) of frame reveal to mount bracket and maintain good closer arm geometry. Where the frame soffit is as wide as 2" (51mm), this soffit plate may be used to clear weather-stripping that is up to 1-3/8" (35mm) wide and 5/8" (16mm) in height.

Blade/Applied Stop - #2018D Soffit Plate: For use where a blade or applied stop does not permit installation of the standard soffit plate. Mounts to either the frame soffit or rabbet. Since this soffit plate projects 7/8" (22mm) less than a standard soffit plate, it requires a minimum frame reveal of 1-1/2" (38mm). Permits closer to clear up to a 5/8" (16mm) stop.

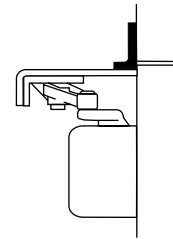
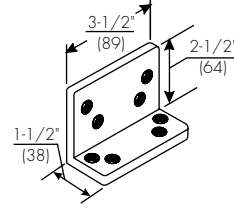
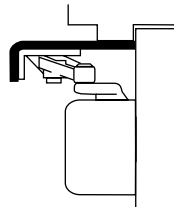
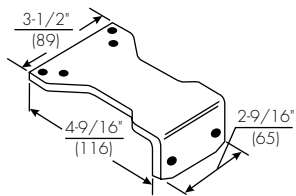


Flush Transom - #2022 Angle Bracket: For use where rabbeted or flush transom conditions prevent installation of a soffit plate. Used in combination with the 1618 soffit plate, or may be used in combination with the 2018S soffit plate when it is necessary for the closer arm to clear a separate overhead door holder.

Extra-Clearance - #2018S Offset Soffit Plate: For use where the need for additional clearance prevents use of the standard soffit plate. This plate mounts to the frame soffit to provide up to 2" (51mm) of clearance when a separate overhead door holder is used. Standard mounting requires a 2-5/8" (67mm) wide frame soffit. It may also be used where unusually high frame stops or weather-stripping prevent the use of other soffit plates.

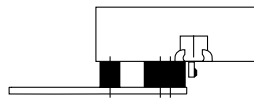
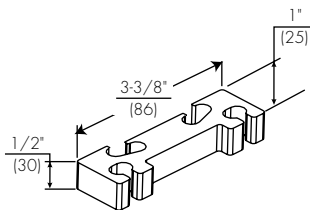
PARALLEL ARM

Brackets for Non-Hold Open & Hold Open Arms



Parallel Hold-Open - #1628H Adapter Plate: Supplied standard with all parallel arm hold open closers. It can also be used to convert regular arm or top jamb hold open arms to parallel arm installation. It can be mounted where the frame soffit is as narrow as 1" (25mm).

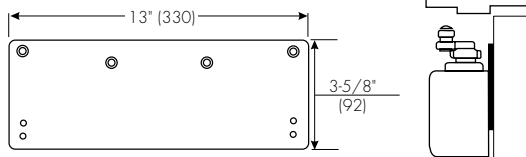
Flush Transom - #2022 Angle Bracket: For use where rabbeted or flush transom conditions prevent installation of a soffit plate. Used in combination with the 1628H adapter plate, this bracket fastens to the overhead transom to provide a mounting surface for the soffit plate assembly.



Clearance/Support Blade Stop - #6891 Spacer Block: For use where the door frame has a blade stop and the soffit plate must be mounted on the frame rabbet. This accessory is used in combination with the standard spacer block to provide clearance of the blade stop. Also used with non-hold open arms.

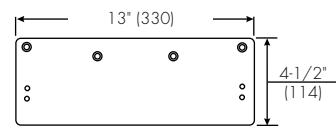
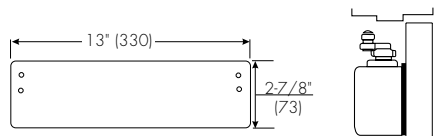
PR, CLP & CPS ARMS

Closer Mounting Plates
Slim Line Installations



Narrow Top Rail - #8148 Drop Plate: For use where a narrow top rail prevents the closer from being mounted directly to the door surface. This drop plate can be used to mount a closer on a top rail as narrow as 2-9/16" (65mm) in height.

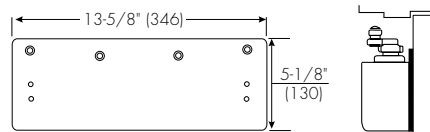
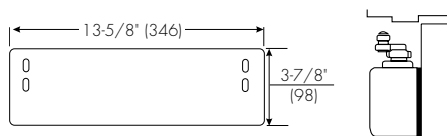
Full Cover Installations



Exposed Back - #8445 Molded Full Cover Decorative Back Plate: For use on doors with glass lights where a closer with molded full cover is installed and the closer back is exposed. This plate covers the back of the installation to give a pleasing appearance from the reverse side.

Exposed Back/Narrow Top Rail - #8158 Molded Full Cover Drop Plate: For use on doors with glass lights where a closer with molded full cover is installed and the back of the closer is exposed. This covers the back of the installation and gives a pleasing appearance from the reverse side.

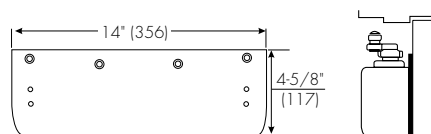
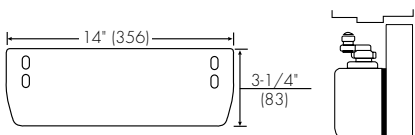
Metal Cover Installations



Exposed Back - #8545 Metal Full Cover Decorative Back Plate: For use on doors with glass lights where a closer with full metal cover is installed and the back of the closer is exposed. This plate covers the back of the installation and gives a pleasing appearance from the reverse side.

Exposed Back/Narrow Top Rail - #8548 Metal Full Cover Drop Plate: For use on doors with glass lights where a closer with metal full cover is installed on a narrow top rail, and the back of the cover is exposed. This drop plate can be used to mount a closer on a top rail as narrow as 2-9/16" (65mm) in height. This plate covers the back of the installation and gives a pleasing appearance from the reverse side.

Architectural Plastic or Metal Cover Installations

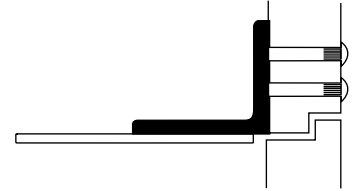
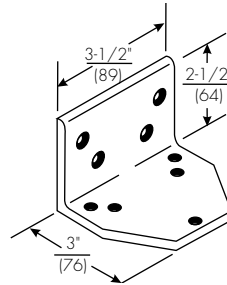
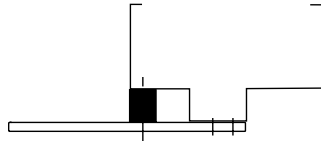
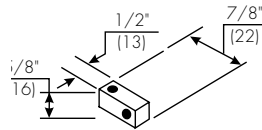


Exposed Back - #8545A Architectural Plastic or Architectural Metal Cover Decorative Back Plate: For use on doors with glass lights where a closer with an architectural plastic or metal cover is installed and the closer back is exposed. This plate covers the back of the installation to give a pleasing appearance from the reverse side.

Exposed Back/Narrow Top Rail - #8548A Architectural Plastic or Architectural Plastic or Architectural Metal Cover Drop Plate: For use on doors with glass lights where a closer with an architectural plastic or metal cover is installed on a narrow top rail, and the back of the cover is exposed. This drop plate can be used to mount a closer on a top rail as narrow as 2-9/16" (65mm) in height. This plate covers the back of the installation to give a pleasing appearance from the reverse side.

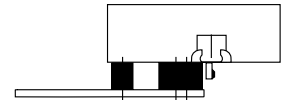
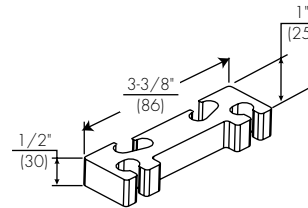
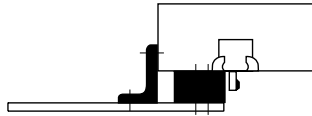
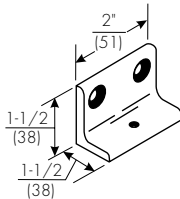
PR, CLP & CPS ARMS

Brackets for Non-Hold Open Arms & Hold Open Arms



Standard - #2019S Spacer Block: For use where a narrow frame soffit does not provide adequate support for the soffit plate. Supplied as standard with all parallel rigid arm closers.

Flush Rabbeted Transom - #2019L Angle Bracket: For use where flush transom conditions prevent mounting of the standard soffit plate. This bracket is used in combination with the standard soffit plate.

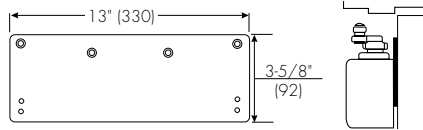


Narrow Frame - #6890 Support Bracket: For use where the frame is narrow and the soffit plate cannot be mounted directly to the frame soffit or rabbet. Used in combination with the #6891 Spacer Block on blade stop frames to provide extra support and needed clearance of the blade stop. Used on frames where the frame stop does not exceed 5/8" (16mm) in height.

Clearance/Support Blade Stop - #6891 Spacer Block: For use where the door frame has a blade stop and the soffit plate must be mounted on the frame rabbet. This accessory is used in combination with the standard spacer block to provide clearance of the blade stop.

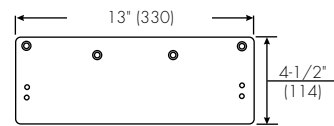
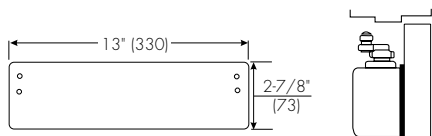
UNITROL® ARM

Closer Mounting Plates
Parallel Arm



Narrow Top Rail - #8148 Drop Plate: For use where a narrow top rail prevents the closer from being mounted directly to the door surface. This drop plate can be used to mount a closer on a top rail as narrow as 2-7/16" (62mm) in height.

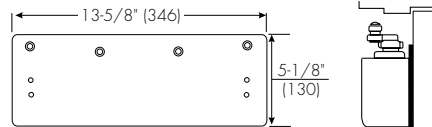
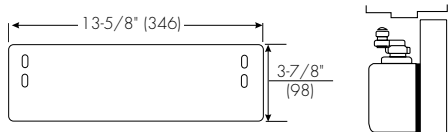
Full Cover Installations



Exposed Back - #8445 Molded Full Cover Decorative Back Plate: For use on doors with glass lights where a closer with molded full cover is installed and the closer back is exposed. This plate covers the back of the installation to give a pleasing appearance from the reverse side.

Exposed Back/Narrow Top Rail - #8158 Molded Full Cover Drop Plate: For use on doors with glass lights where a closer with molded full cover is installed and the back of the closer is exposed. This covers the back of the installation and gives a pleasing appearance from the reverse side.

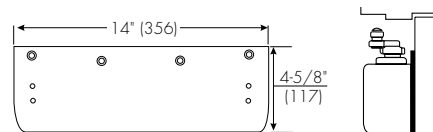
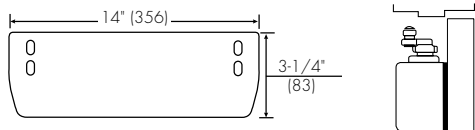
Metal Cover Installations



Exposed Back - #8545 Metal Full Cover Decorative Back Plate: For use on doors with glass lights where a closer with full metal cover is installed and the back of the closer is exposed. This plate covers the back of the installation and gives a pleasing appearance from the reverse side.

Exposed Back/Narrow Top Rail - #8548 Metal Full Cover Drop Plate: For use on doors with glass lights where a closer with metal full cover is installed on a narrow top rail, and the back of the cover is exposed. This drop plate can be used to mount a closer on a top rail as narrow as 2-9/16" (65mm) in height. This plate covers the back of the installation and gives a pleasing appearance from the reverse side.

Architectural Plastic or Metal Cover Installations



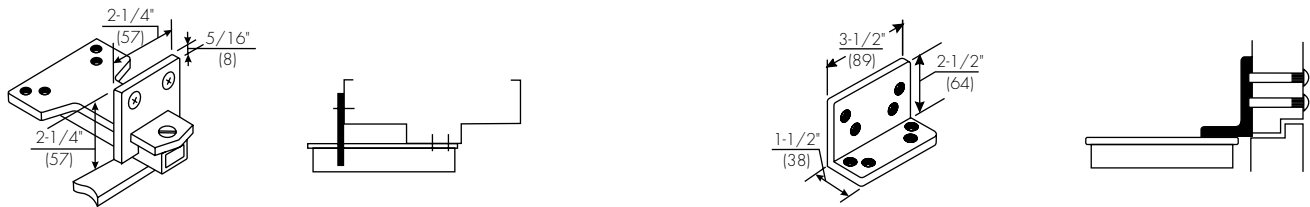
Exposed Back - #8545A Architectural Plastic or Architectural Metal Cover Decorative Back Plate: For use on doors with glass lights where a closer with an architectural plastic or metal cover is installed and the closer back is exposed. This plate covers the back of the installation to give a pleasing appearance from the reverse side.

Exposed Back/Narrow Top Rail - #8548A Architectural Plastic or Architectural Plastic or Architectural Metal Cover Drop Plate: For use on doors with glass lights where a closer with an architectural plastic or metal cover is installed on a narrow top rail, and the back of the cover is exposed. This drop plate can be used to mount a closer on a top rail as narrow as 2-7/16" (62mm) in height. This plate covers the back of the installation to give a pleasing appearance from the reverse side.

UNITROL[®] ARM

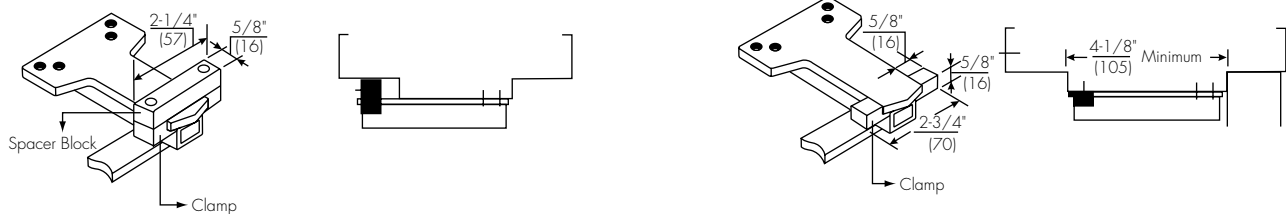
Closer Mounting Plate

Soffit Plate Reinforcing Brackets (for Parallel Arm)



Additional Support - #6190 Reinforcing Bracket: Standard for use with all parallel arm *Unitrol* door controls. Provides additional support to the soffit plate on installations with door frame reveals from 1-7/8" to 4-5/8" (48 to 117mm).

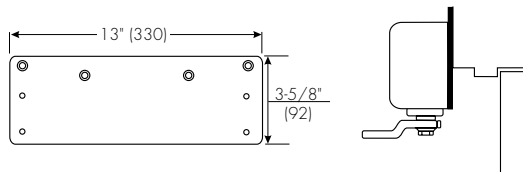
Flush Rabbeted Transom - #2022 Angle Bracket: Optional for use with all parallel arm *Unitrol* door controls. For use where rabbeted or flush transom conditions prevent installation of the soffit plate assembly. This bracket fastens to the overhead transom to provide a mounting surface for the soffit plate assembly.



Wide Frame - #6191 Reinforcing Kit: Optional for use with all parallel arm *Unitrol* door controls. Used to support the soffit plate on installations with wide frames. Clamps may be used with or without the spacer block, depending on frame conditions.

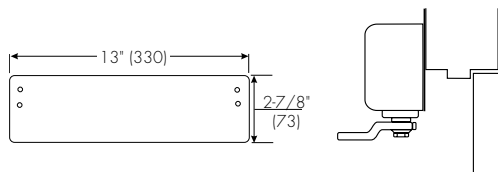
UNITROL® ARM

Closer Mounting Plates
Top Jamb

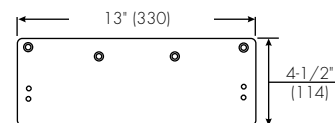


Narrow Top Rail - #8148 Drop Plate: For use where a narrow top rail prevents the closer from being mounted directly to the door surface. This drop plate can be used to mount a closer on a top rail as narrow as 2-7/16" (62mm) in height.

Full Cover Installations

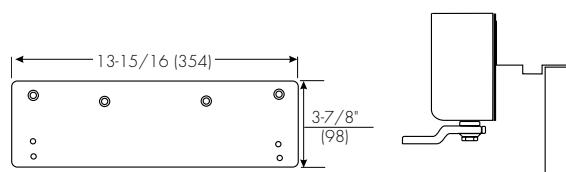


Exposed Back - #8445 Molded Full Cover Decorative Back Plate: For use on doors with glass lights where a closer with molded full cover is installed and the closer back is exposed. This plate covers the back of the installation to give a pleasing appearance from the reverse side.



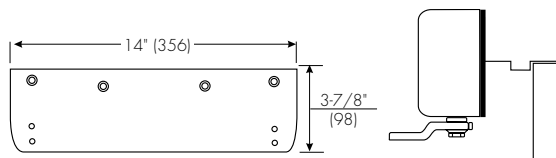
Exposed Back/Narrow Top Rail - #8158 Molded Full Cover Drop Plate: For use on doors with glass lights where a closer with molded full cover is installed and the back of the closer is exposed. This covers the back of the installation and gives a pleasing appearance from the reverse side.

Metal Cover Installations



Low Ceiling Clearance - Overhead Door Holder - #8547 Metal Full Cover Drop Plate: For use where a low ceiling clearance prevents normal top jamb mounting. This plate is used when the clearance is between 1-5/8" and 3-3/4" (41 and 95mm). Or for use where a surface or concealed overhead door holder prevents normal top jamb mounting of a closer with a metal full cover. This plate drops the closer and allows arm mounting screws to clear the bottom of the door holder. This places the centerline of the arm mounting screws at 3-7/8" (98mm) from the top of the door.

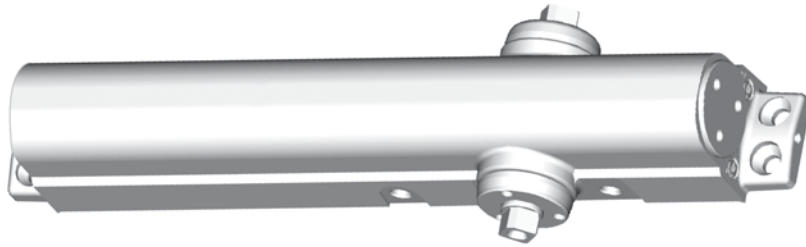
Architectural Plastic or Metal Cover Installations



Low Ceiling Clearance - Overhead Door Holder - #8547A Architectural Plastic or Architectural Metal Cover Drop Plate: For use where low ceiling clearance prevents normal top jamb mounting. This plate is used when the clearance is between 1-5/8" and 3-3/4" (41 and 95mm). Or for use where a surface or concealed overhead door holder prevents normal top jamb mounting of a closer with an architectural plastic or metal full cover. This plate drops the closer and allows arm mounting screws to clear the bottom of the door holder. This places the centerline of the arm mounting screws at 3-7/8" (98mm) from the top of the door.

8000 SERIES ARCHITECTURAL DOOR CLOSER

DOOR CLOSER BODY ASSEMBLIES



Model Number	Description
8101LAP	Multi-sized closer bodies (8101, 8301 or 8501)

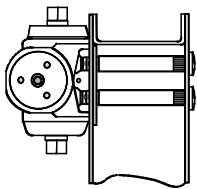
LAP = Less All Parts

Covers (Material)

Closer Series	Plastic	Metal	Arch. Plastic	Arch. Metal
8301	8200P	N/A	N/A	N/A
8501	8400P	8400M	8400A	8400MA

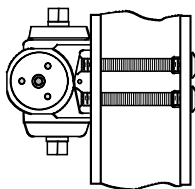
Cover Model	Cover Drawing
Slim Line* 8200P or 8200PG 1-3/4" high x 2-1/8" deep x 13" long (44 x 54 x 330)	
Full Plastic 8400P or 8400PG 2-7/8" high x 2-1/8" deep x 13" long (73 x 54 x 330)	
Full Metal 8400M 3-7/8" high x 2-3/16" deep x 13-5/8" long (98 x 54 x 346)	
Architectural Plastic 8400A or 8400AG 3-3/32" high x 2-1/4" deep x 13-7/8" long (79 x 56 x 352)	
Architectural Metal 8400MA 3" high x 2-3/16" deep x 13-15/16" long (76 x 56 x 354)	

Steel Door Application
Sleeve-nut : "SN" (4 per pack) or
Sleeve-nut & Screw: "SNB" (4 per pack)



Door	SN's	SNB's
1-3/4"	SN-134	SNB134-38
2"	N/A	SNB200-38
2-1/4"	SN-214	SNB214-38
S.S. SNB's 1-3/4"	SN-134SS	SNB134SS-38

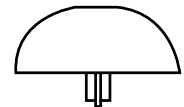
Aluminum and Wooden Door Application
(Aluminum Door Shown)
Thru Bolt & Grommet Nut : "TBGN" (4 per pack)



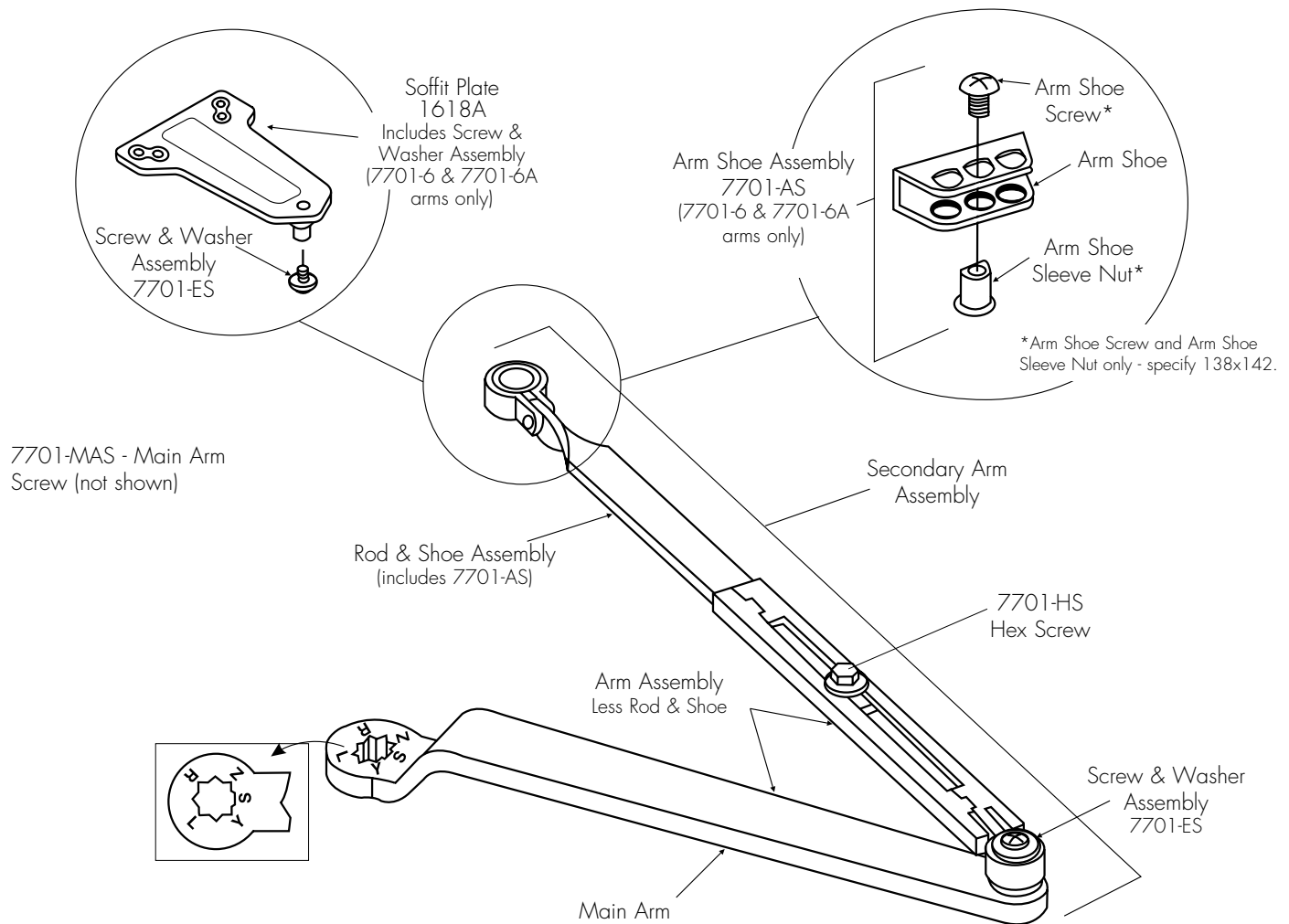
Door	TBGN's
1-3/8"	TBGN138-38
1-3/4"	TBGN134-38
2-1/4"	TBGN214-38

Arm Type	Torx® Screw Packs
Regular, Parallel & Top Jamb	TX38
Parallel Rigid, CloserPlus® & CloserPlus Spring™	PRTX38
Regular Rigid Heavy-Duty	RTX38
Unitrol®	UNITX38
Slide Track	STTX38

*Pinion cap not included
with Slim Line cover.
Part #1639



NON-HOLD OPEN ARM ASSEMBLIES

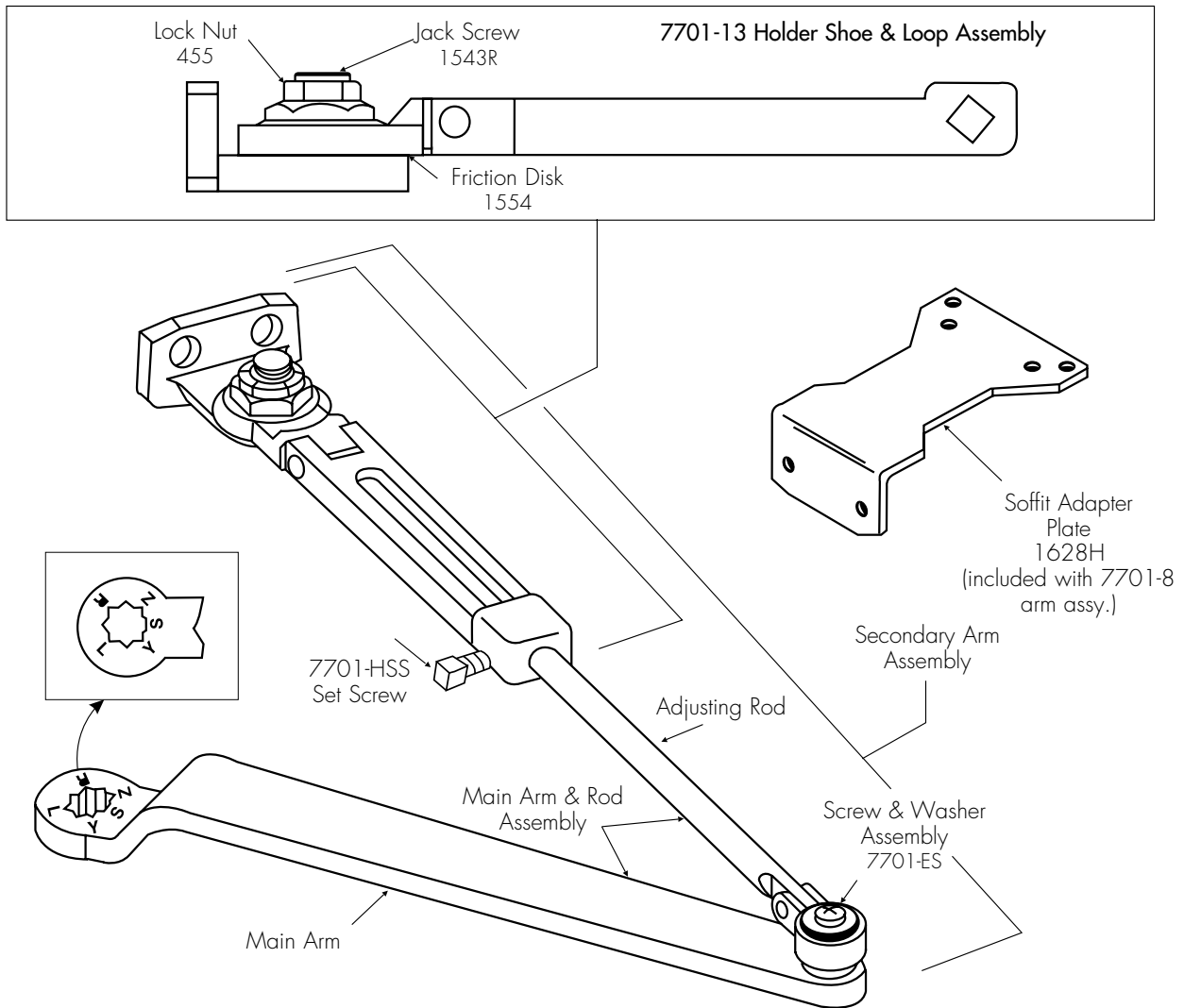


Closer Series	Complete Arm Assembly	Main [Ⓐ] Arm Assembly (length)(mm) (includes 7701-ES)	Secondary Arm Assembly (includes 7701-ES)	Arm Assembly Less Rod and Shoe	Rod & Shoe Assembly [Ⓒ] (length)(mm)
8000	7701-1	7701-1M (11)(279)	7701-111	7701-1W	7701-11 (8-7/8)(225)
J8000	7701-1A		7701-121		7701-11A (12-9/16)(319)
P8000	7701-6		7701-116		7701-16 (8-7/8)(225)
P8000 [Ⓒ]	7701-6A		7701-116A		7701-16A (12-9/16)(319)
8000	7701-26 (tri pack includes 7701-1 plus 1618A plate)				

- Ⓐ C to C length shown in parentheses.
- Ⓑ C of connecting link to end of rod shown in parentheses.
- Ⓒ For 180° door swing when using a special template for doors hung on 6" to 8" (162 to 203mm) wide throw hinges.

Note: Mounting hardware included with all parts orders.

HOLD OPEN ARM ASSEMBLIES



Closer Series	Complete Arm	Main Arm [Ⓐ] (Length) (mm) (includes 7701-ES)	Secondary Arm (includes 7701-ES)	Main Arm & Rod Assembly	Holder Shoe & Loop Assembly	Adjusting Rod [Ⓓ] (Length)(mm)
8000H	7701-3/7701-8 [Ⓞ]	7701-1M (11)(279)	7701-113/7700-118 (Reg.) / (Par.)	7701-3W	7701-13/7701-18 [Ⓞ]	7701-31 (7-3/8)(187)
J8000H	7701-3A		7701-123	7701-3WA	7701-13	7701-31A (10-13/16)(275)

Ⓐ C to C length shown in parentheses.

Ⓑ C of connecting link to end of rod shown in parentheses.

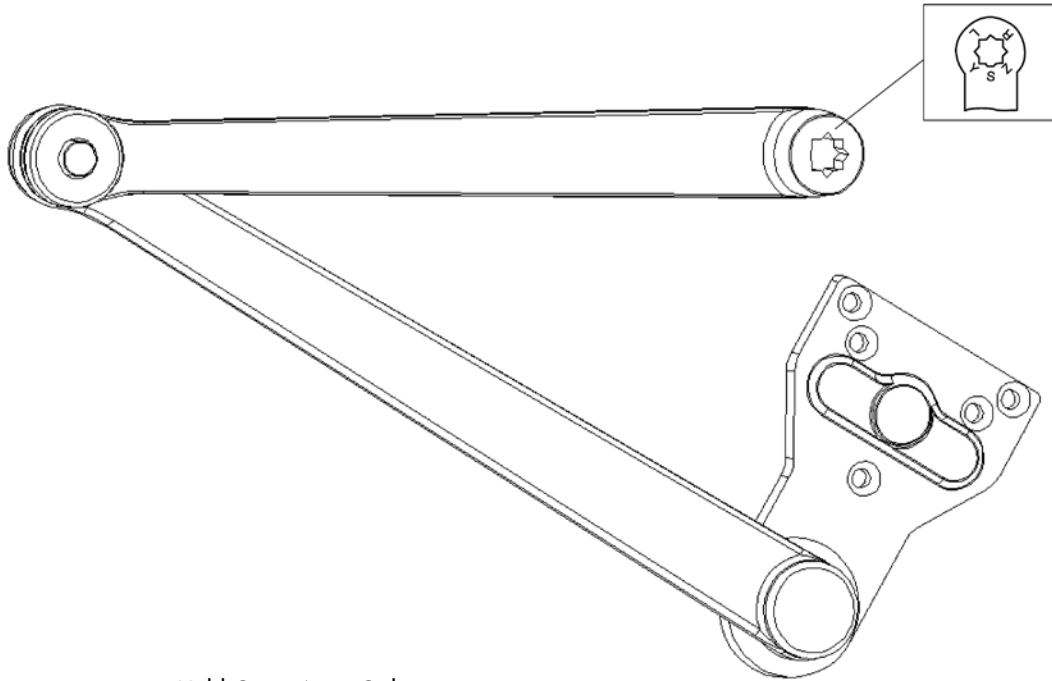
Ⓒ Same as 7701-3 but includes #1628H soffit adapter plate.

Ⓓ Same as 7701-13 but includes #1628H soffit adapter plate.

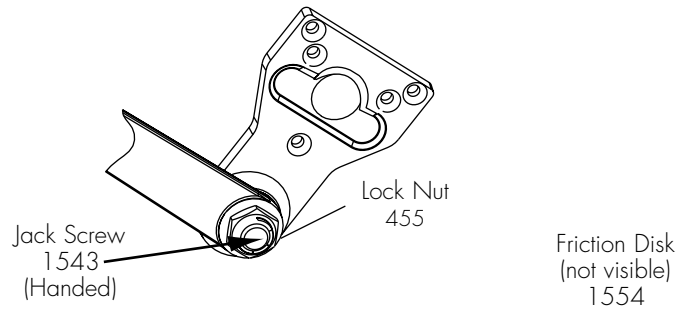
Note: Mounting hardware included with all parts orders.

PARALLEL RIGID ARM ASSEMBLIES

Non-Hold Open Arm Shown



Hold Open Arms Only

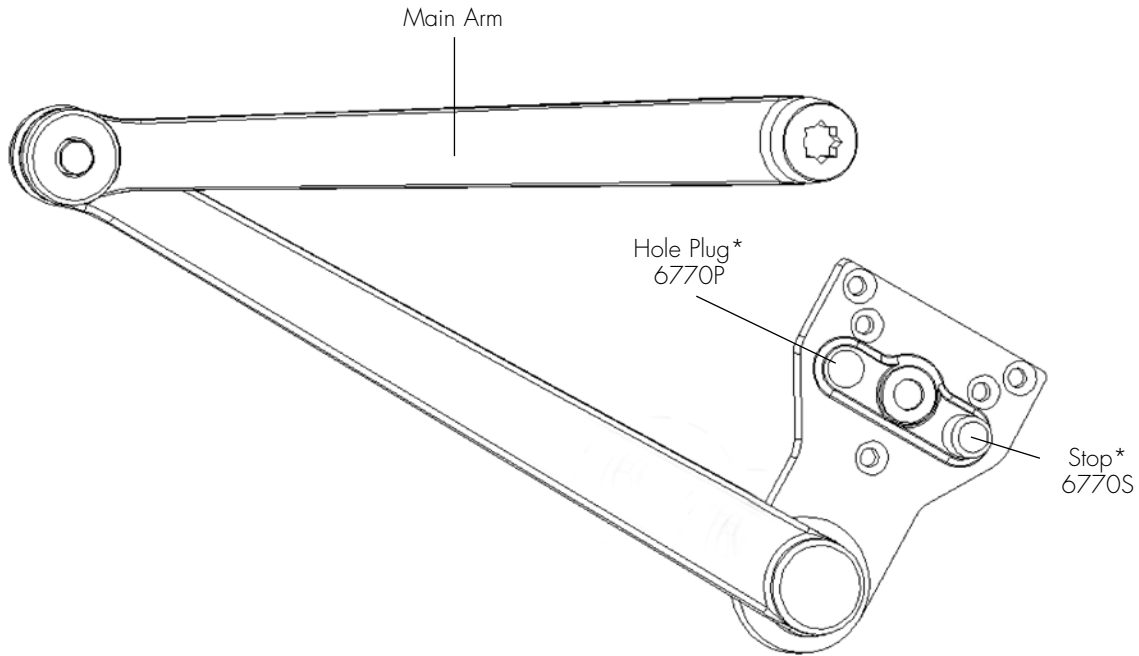


Arm Function	Complete Arm Assembly
Non-Hold Open	PR7701-5
Hold Open	PR7701-8R (Right Hand)
	PR7701-8L (Left Hand)

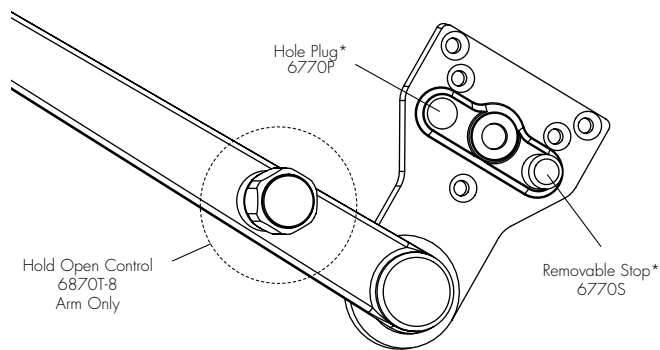
Note: Mounting hardware included with all parts orders.

CLOSERPLUS[®] ARM ASSEMBLIES

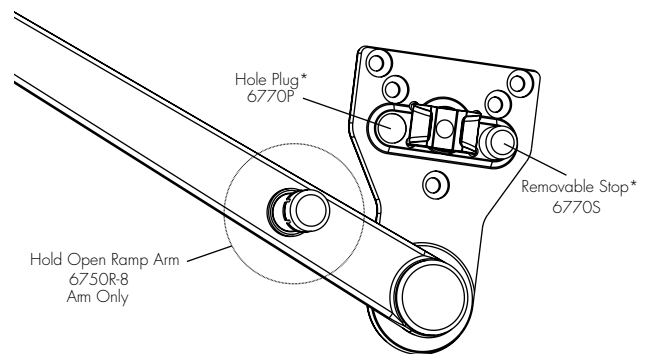
CLP
Non-Hold Open



CLP-T
Thumbturn Hold Open



CLP-R
Ramp Hold Open

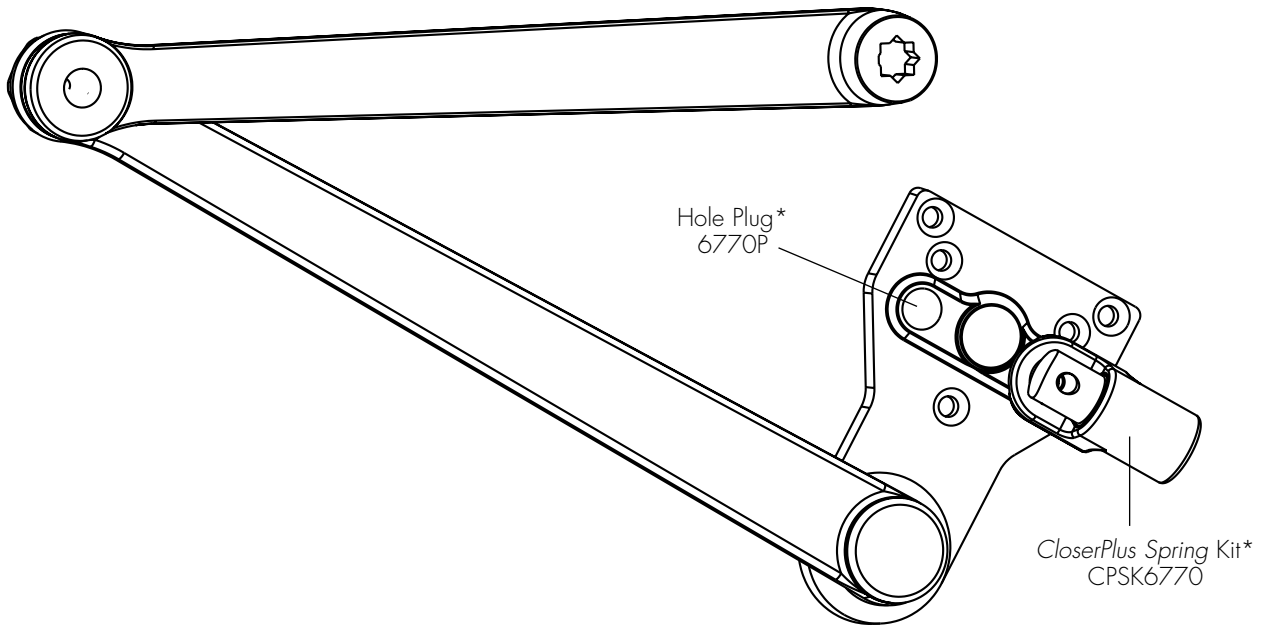


Arm Function	Complete Arm Assembly
Non-Hold Open	6770-5
Thumbturn Hold Open	6870T-8
Ramp Hold Open	6750R-8

* These parts and screw pack are included with complete arm assemblies.

Note: Mounting hardware included with all parts orders.

CLOSERPLUS SPRING™ ARM ASSEMBLIES



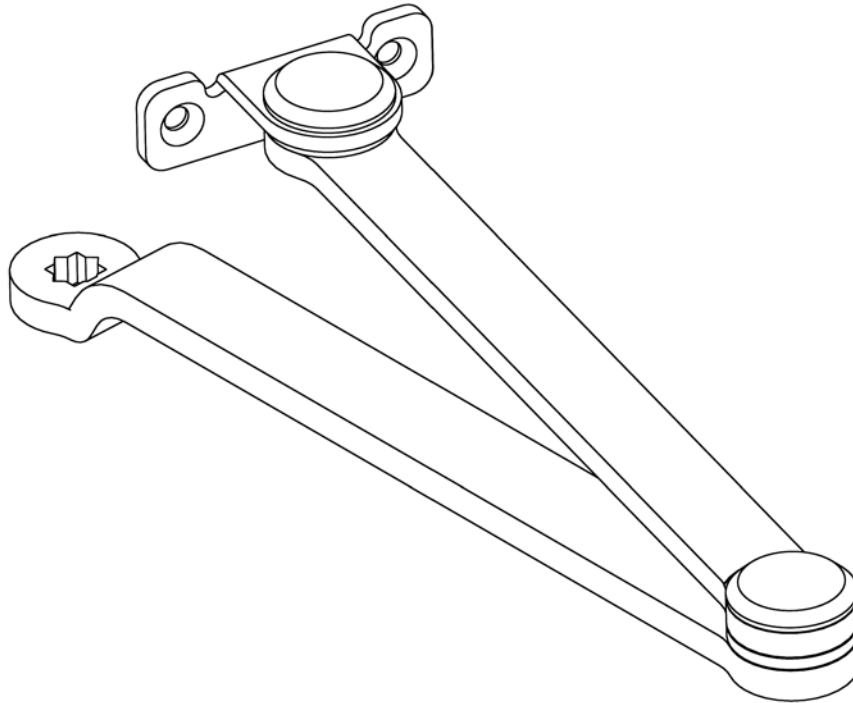
Arm Function	Complete Arm Assembly
Non-Hold Open	CPS6770-5
Thumbturn Hold Open	CPS6870T-8

* These parts and screw pack are included with complete arm assemblies.

Note: Mounting hardware included with all parts orders.

8000 SERIES ARCHITECTURAL DOOR CLOSER

REGULAR RIGID HEAVY-DUTY ARMS

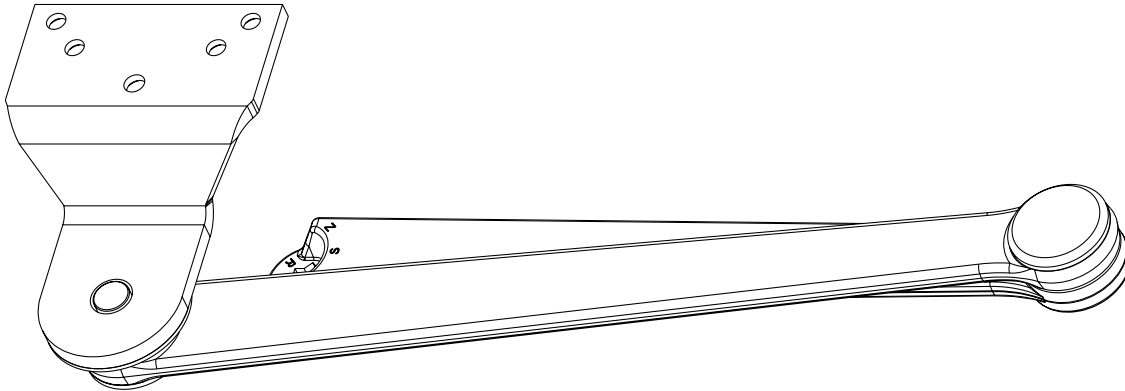


Arm Function	Complete Arm Assembly
Non-Hold Open	R7701-1

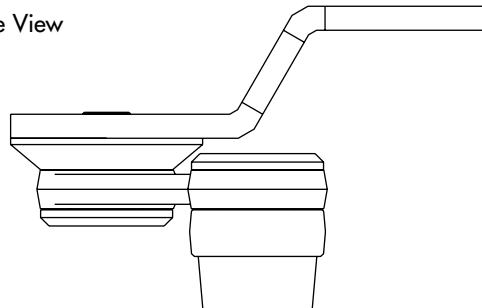
Note: Mounting hardware included with all parts orders.

PARALLEL RIGID OFFSET ARM ASSEMBLIES

Non-Hold Open



Side View

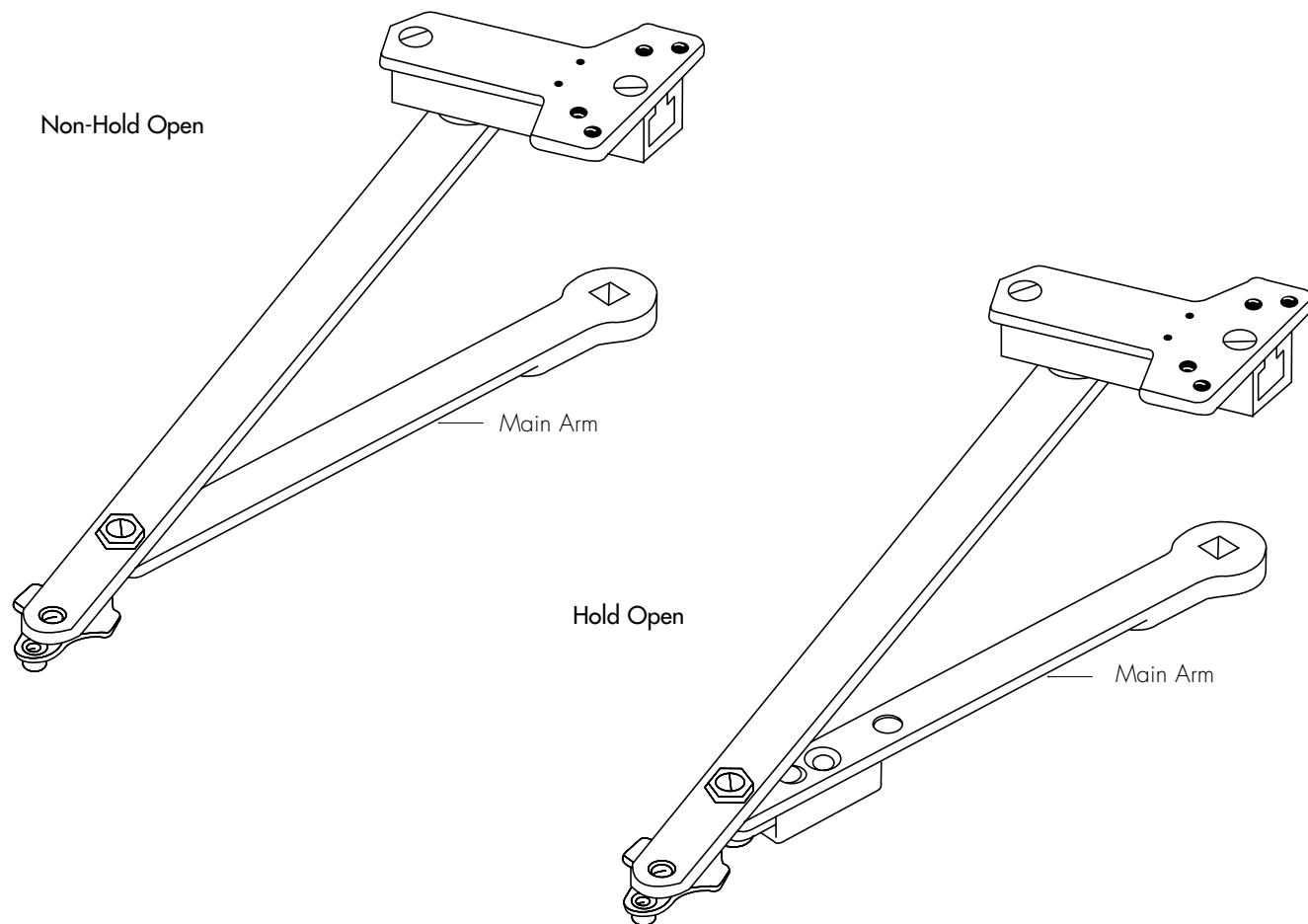


Arm Function	Complete Arm Assembly
Non-Hold Open	PRO7701-5
Hold Open, Right Hand	PRO7701-8R
Hold Open, Left Hand	PRO7701-8L

Note: Mounting hardware included with all parts orders.

UNITROL[®] ARM ASSEMBLIES

Parallel Arm



Door Width (cm)	Main Arm Length* (mm)	Complete Arm Assembly	
		Non-Hold Open	Hold Open
28" - 32" (71 - 81)	9-1/2" (241)	6100-11	6100-1
33" - 41" (84 - 104)	11" (279)	6100-13	6100-3
42" - 48" (107 - 122)	12-1/2" (318)	6100-14	6100-4

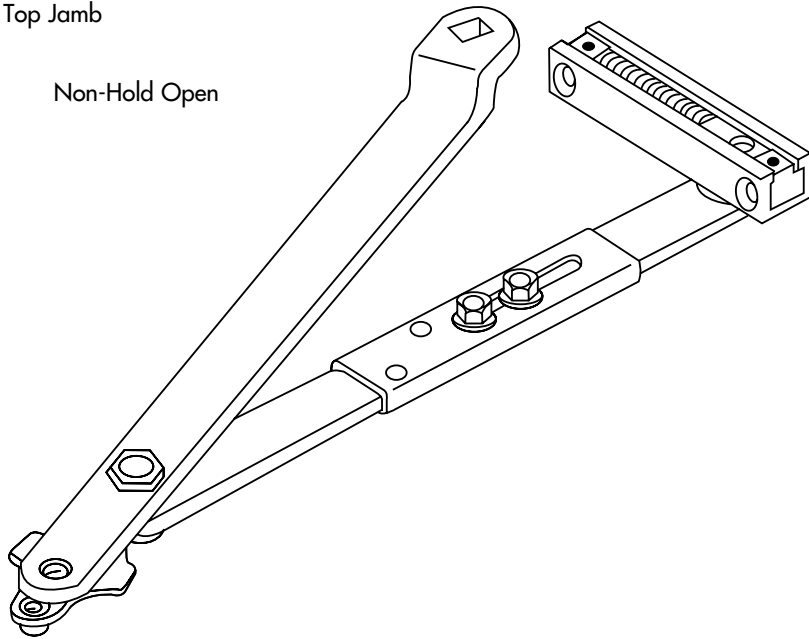
* Center to center length.

Note: Mounting hardware included with all parts orders.

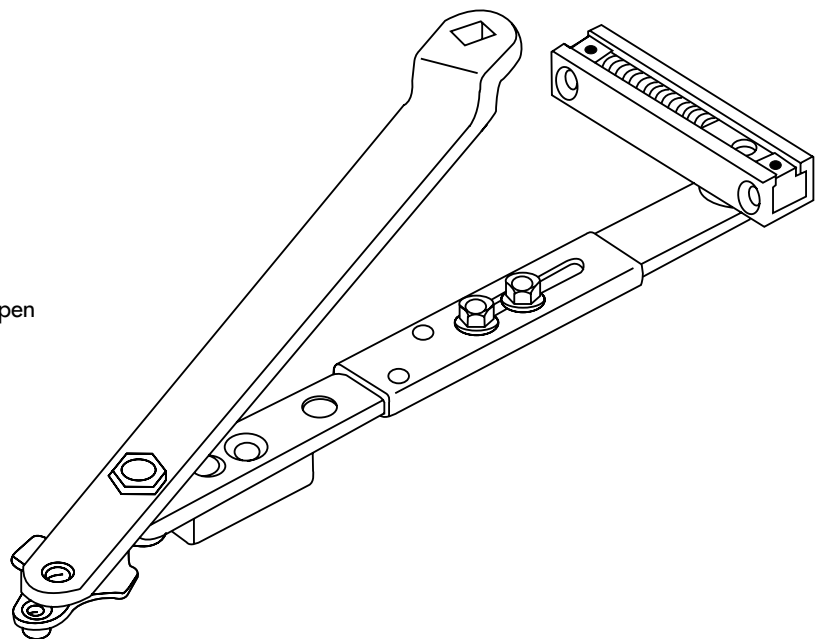
UNITROL® ARM ASSEMBLIES

Top Jamb

Non-Hold Open



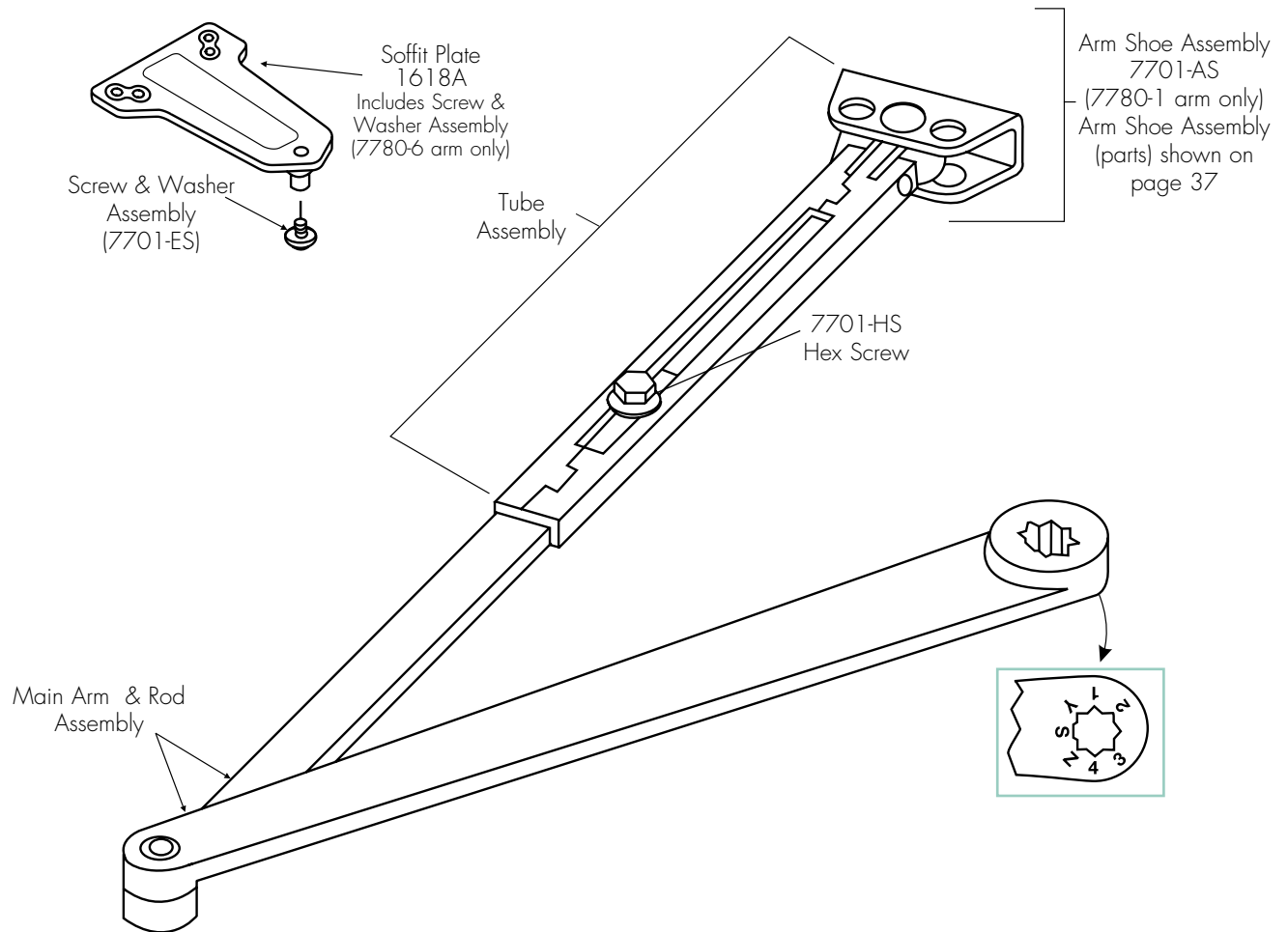
Hold Open



Complete Arm Assembly		For Frame Reveals (mm)
Non-Hold Open	Hold Open	
J6100-4	J6100-7	2-1/8" - 3-1/4" (54 - 83)
J6200-4	J6200-7	1/2" - 2" (13 - 51)
J6400-4	J6400-7	3-3/8" - 4-1/4" (86 - 108)
J6500-41	J6500-71	4-3/8" - 5-3/8" (111 - 137)
J6500-42	J6500-72	5-1/2" - 6-3/8" (140 - 162)
J6500-43	J6500-73	6-1/2" - 7-3/8" (165 - 187)
J6600-4	J6600-7	0 - 3/8" (0 - 10)

Note: Mounting hardware included with all parts orders.

LOW PROFILE ARM ASSEMBLIES

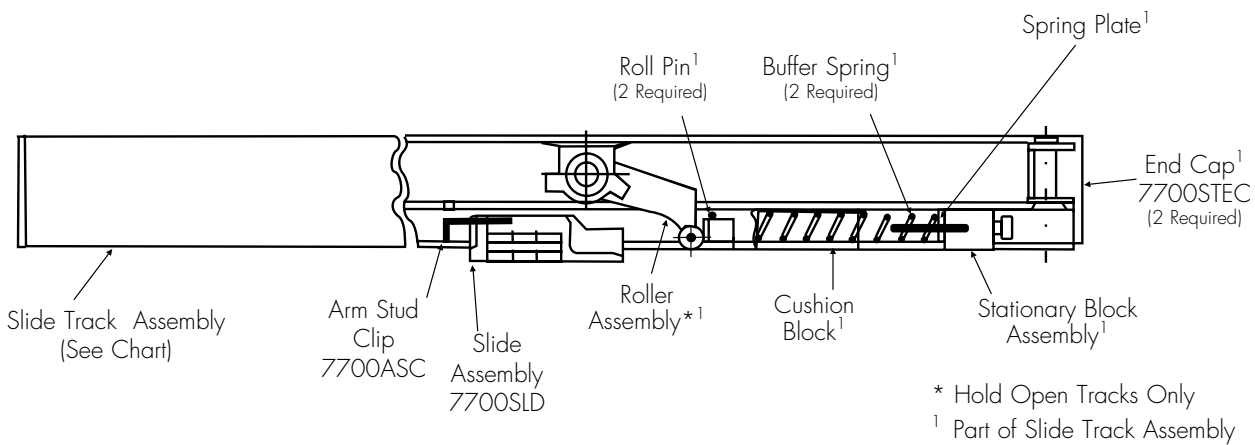


Arm Application	Complete Arm Assembly	Main Arm & Adjusting Rod Assembly	Tube & Shoe/Soffit Soffit Assembly
Regular Arm	7780-1	7780-1MR	7780-1TS (With 7701-AS)
Parallel Arm	7780-6		7780-6TS (With 1618A)
Tri-pack	7780-26		

Note: Mounting hardware included with all parts orders.

TRACK & ARM ASSEMBLIES

Slide Track Assembly	Part Number	
	Non-Hold Open	Hold Open
Pull Side	7701ST-1T	7701ST-3T
Pull Side (180°)	7701ST-1T180	N/A
Push Side	7701ST-5T	7701ST-8T



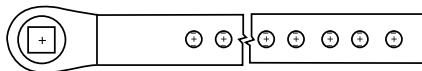
Note: Mounting hardware included with all parts orders.

TRACK & ARM ASSEMBLIES

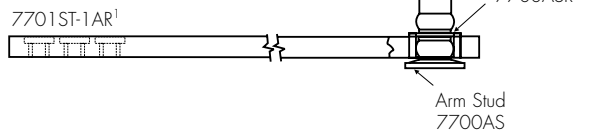
Standard Arm Assembly

7701ST-1A*¹

Arm Tube Assembly
7701ST-1AT¹



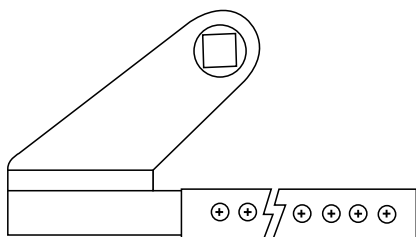
Adjusting Rod Assembly
7701ST-1AR¹



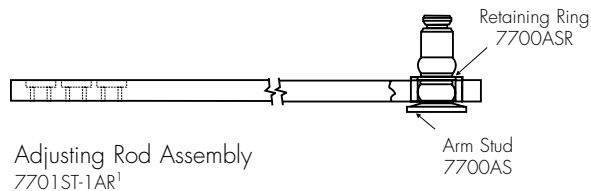
Double Egress Arm Assembly

7701PT-DE-1R (Right Hand)*¹

7701PT-DE-1L (Left Hand)*¹



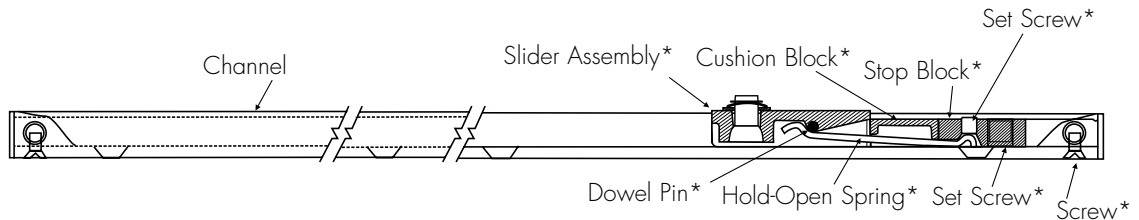
Arm Tube Assembly
7701ST-1ATR¹ (right hand)
7701ST-1ATL¹ (left hand)



Adjusting Rod Assembly
7701ST-1AR¹

LOW PROFILE TRACK & ARM ASSEMBLIES

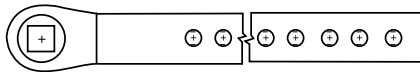
Track Assemblies	Part Number	
	Non-Hold Open	Hold Open
Pull-side mounted	7740ST-1T	7740ST-3T
Push-side mounted	7740ST-5T	7740ST-8T



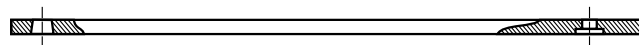
*Part of an Assembly Pack
NHO= 7740SLD
HO= 7740HSLD

ARM ASSEMBLY

7740ST-1A^{1, 2}



Arm Tube Assembly
7701ST-1AT²



Adjusting Rod Assembly
7740ST-1AR²

- 1 Includes arm length adjusting screw.
- 2 Includes arm tube & adjusting rod assembly.

Note: Mounting hardware included with all parts orders.

NOTES

CONTACT US AT:

Norton Door Controls
3000 Highway 74 East
Monroe, NC 28112
Tel: 877-974-2255
Fax: 800-338-0965

ASSA ABLOY Door Security Solutions Canada
160 Four Valley Drive
Vaughan, Ontario, L4K 4T9 Canada
Tel: 800-461-3007
Fax: 905-738-2478

For a complete listing of products and
applications please visit our web site.
www.nortondoорcontrols.com
www.assaabloy.ca

Norton®, Unicontrol®, Tri-Style®, NarGlide® and CloserPlus® are registered trademarks of Yale Security Inc., an ASSA ABLOY Group company. CloserPlus Spring™ and CloserPlus Ramp™ are trademarks of Yale Security Inc., an ASSA ABLOY Group company. Other products' brand names may be trademarks or registered trademarks of their respective owners and are mentioned for reference purposes only. These materials are protected under U.S. copyright laws. All contents current at time of publication. Copyright © 2002, 2015, Yale Security Inc., an ASSA ABLOY Group company. All rights reserved. Reproduction in whole or in part without the express written permission of Yale Security Inc. is prohibited.