

1700BC SERIES

Light Commercial
Door Closer



Norton[®]

ASSA ABLOY

ASSA ABLOY, the global leader
in door opening solutions

OVERVIEW

Norton® 1700BC Series Door Closers are multi-feature closers whose compact design is ideal for application on interior doors. This narrow-stile closer has distinctive lines that harmonize with most decors. It is available with a full cover to provide an installation with compatible appearance to other door closers with covers. The Norton 1700BC Series Door Closer offers an economical alternative for those installations where a more heavy-duty closer is not necessary.

Standard Features

- Tri-Style® packaging: closer tri-packed for regular arm, top jamb or parallel arm installation.
- Non-handed
- Aluminum alloy shell
- Rack & pinion operation
- Adjustable closing speed
- Adjustable latch speed
- Adjustable backcheck cushioning: independent regulating valve
- Non-hold open

Optional Features

- Full molded cover
- Hold open

SPRAYED FINISHES

Description	Specify Norton (BHMA) Designation	Complements the following finishes
Aluminum	689	628, 625, 629, 630, 651, 652
Statuary Bronze	690	640, 613
Dull Bronze	691	612, 637, 639
Black	693	315
Medium Amber	694	312
Gold	696	605, 606, 632, 633
556 White	N/A	
Prime Coat*	600	

*600 is a special rust-inhibiting prime coat. Closers can be ordered prime coat only (specify closer x 600). An additional charge applies if finish coat is required over prime coat (ex: 1704BC x 600 x 689).

TABLE OF CONTENTS

How To Order 3

Suggested Specifications 3

Compliance Standards 3

Sizing Chart 3

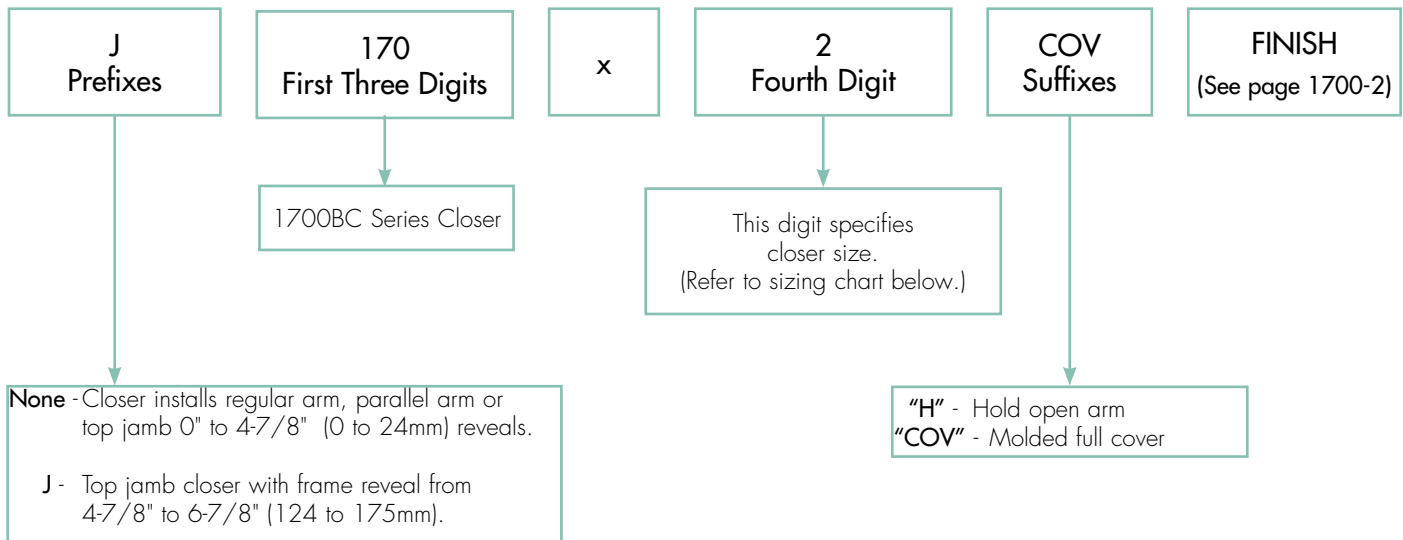
Accessories 4

Regular Arm Installation 5

Top Jamb Installation 6

Parallel Arm Installation 7

GLOSSARY OF TERMS





Fasteners

Through-bolts, grommet nuts and sex nuts are available to special order.

Suggested Specifications

Closers for interior doors shall be full rack-and-pinion type with cast aluminum alloy shell. Closer shall be non-handed to permit installation on either hand of door. Closer to be supplied with brackets to allow regular arm, parallel arm or top jamb mounting. Closer to have non-critical valves to independently regulate sweep speed (and) latch speed (and backcheck cushioning.) The forearm bracket shall permit a 15% power adjustment by rotating the forearm and bracket 180° at the door or frame. (Closer shall be enclosed in a molded full cover.) Closer to be Norton 1700BC Series, 1700BCCOV Series.

Compliance Standards

- ANSI/BHMA A156.4, Grade 2 certified 
- UL / cUL listed for use on fire rated doors 
- UL10C listed for positive pressure fire test
- This product is manufactured in an ISO 9001 facility

SIZING CHART

Model Number		Interior Doors: Maximum Size Wood or Metal (cm)		
		Type of Installation		
Non-Hold Open	Hold Open	Regular Arm	Parallel Arm	Top Jamb
1701BC	1701BCH	The 1701BC closer (size 1) is intended for use on doors with a maximum clear opening width of 2'8" (81cm) to provide less than 5.0 lbs. (22.2N) of door opening resistance.		
1702BC	1702BCH	30" (76)	30" (76)	30" (76)
1703BC	1703BCH	36" (91)	32" (81)	36" (91)
1704BC	1704BCH	42" (107)	36" (91)	42" (107)

Door width information is based on 1-3/4" (44mm) x 7" (2.13m) standard weight doors swinging 110°. Other conditions (such as door height, weight, or draft conditions) may require a larger size closer.

Note: Contact factory if door weight exceeds 250 lbs.

ACCESSORIES

Part Number	Description
1700-1	Arm Assembly - Non-Hold Open
1700-3	Arm Assembly - Hold Open
17P	Cover
1739	Pinion Cap
1788	Parallel Arm Adapter Plate (Hold Open)
1789	Parallel Arm Bracket
170XBCLAP	Closer Body*

* X = specify closer size

Door Plates

For narrow top rails, narrow frame faces, and top jamb hold open installations. Plates vary in size when the closer is ordered with or without a full molded cover. Order drop plates from the chart. Specify finish when ordering separately.

Type Of Installation	Drop Plate Model Number	
	Without Cover	With Cover
Regular Arm	1746	1756
Top Jamb	1746	1757
Parallel Arm	1748	1758

For drop plate requirements, see Dimensional Information pages 5-7.

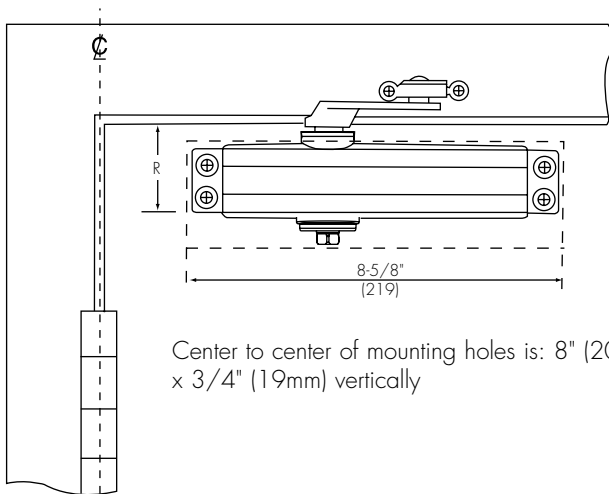
Molded Full Cover

Molded of high-impact U.L. listed material for completely enclosing the closer body, mounting screws and the unused pinion shaft. This cover is non-handed. It has two notches; one for clearance of the pinion shaft. An insert is included for insertion into the unused notch. Four molded catches engage the closer body for easy yet secure installation. To order this cover separately, specify 17P x finish.

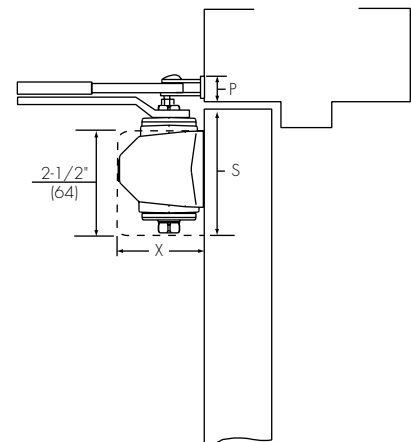
1700BC SERIES LIGHT COMMERCIAL DOOR CLOSER

REGULAR ARM INSTALLATION

Closer mounts on door;
Arm bracket on frame face.



Center to center of mounting holes is: 8" (203mm) horizontally
x 3/4" (19mm) vertically

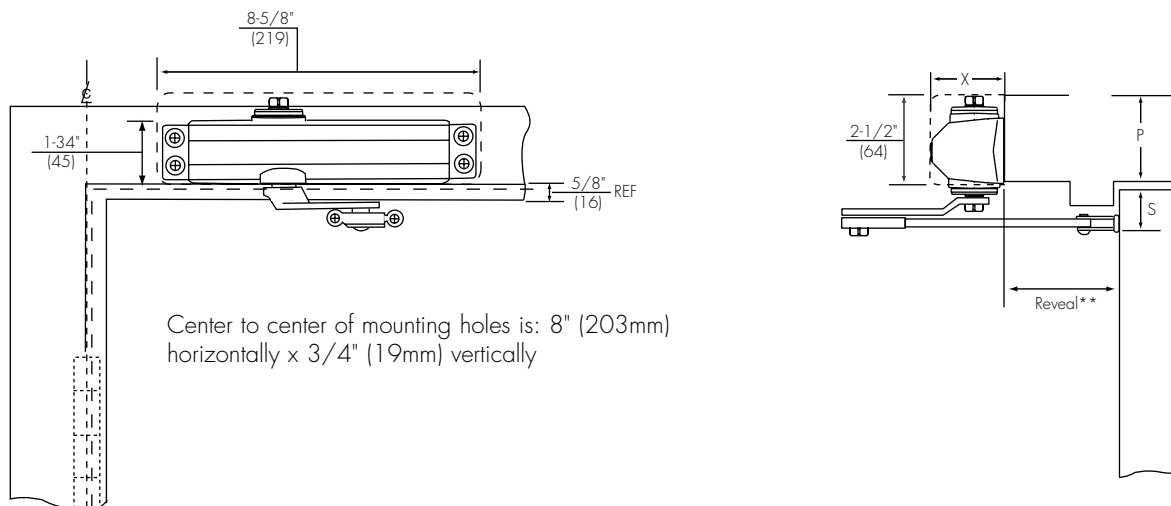


R Minimum Top Rail				S Minimum Top Rail Clearance		P Minimum Ceiling Clearance Without Drop Plate		X Closer Projection	
Without Drop Plate		With 1746/1756 Drop Plate							
Non-Hold Open	Hold Open	Non-Hold Open	Hold Open	Non-Hold Open	Hold Open	Non-Hold Open	Hold Open	Without Cover	With Cover
2" (51)		1-1/4" (32)		3" (76)	2-7/8" (73)	1" (25)	1-3/8" (35)	1-15/16" (49)	2-1/16" (52)

Sizes based upon door 7'0" (2.13m) x 1-3/4" (44mm)

TOP JAMB INSTALLATION

Closer mounts on push side of frame; arm shoe mounts to door.



S Minimum Top Rail Clearance			P Minimum Ceiling Clearance				X Closer Projection	
Without Drop Plate	With 1746/1757 Drop Plate		Without Drop Plate	With 1746/1757 Drop Plate				
Non-Hold Open	Non-Hold Open	Hold Open	Non-Hold Open	Hold Open	Non-Hold Open	Hold Open	Without Cover	With Cover
1-1/4" (32)	2-1/4" (57)	2-5/8" (67)	2-1/2" (64)	N/A***	1-3/4" (44)		1-15/16" (49)	2-1/16" (52)

Sizes based upon door 7'0" (2.13m) x 1-3/4" (44mm)

****Reveal Information**

The standard 1700BC Series non-hold open closers and 1700BCH Series hold open closers (Top Jamb mount) accommodate frame reveals for 0" to 4-7/8" (0 to 124mm).

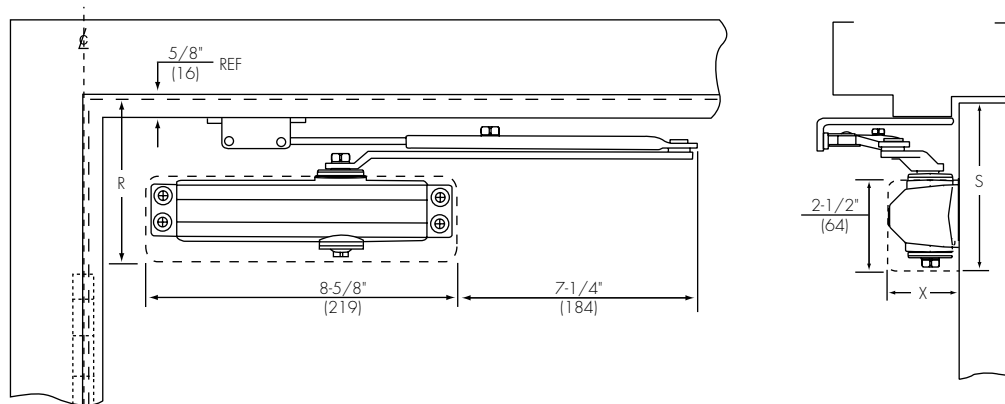
J1700BC Series non-hold open closers and J1700BCH Series hold open closers accommodate frame reveals from 4-7/8" to 6-7/8" (124 to 175mm). These closers are not supplied with "Tri-Style® installation" hardware.

***Use of hold open arm requires use of a drop plate.

1700BC SERIES LIGHT COMMERCIAL DOOR CLOSER

PARALLEL ARM INSTALLATION

Closer Mounts on Door;
Bracket on frame soffit.



Center to center of mounting holes is: 8" (203mm)
horizontally x 3/4" (19mm) vertically

R Minimum Top Rail				S Minimum Top Rail Clearance		X Closer Projection	
Without Drop Plate		With 1748/1758 Drop Plate		Non-Hold Open	Hold Open	Without Cover	With Cover
Non-Hold Open	Hold Open	Non-Hold Open	Hold Open				
4" (102)	4-1/4" (108)	2-1/4" (57)		4-3/4" (121)	5" (127)	1-15/16" (49)	2-1/16" (52)

CONTACT US AT:

Norton Door Controls
3000 Highway 74 East
Monroe, NC 28112
Tel: 877-974-2255
Fax: 800-338-0965

ASSA ABLOY Door Security Solutions Canada
160 Four Valley Drive
Vaughan, Ontario, L4K 4T9 Canada
Tel: 800-461-3007
Fax: 905-738-2478

For a complete listing of products and
applications please visit our web site.
www.nortondoorcontrols.com
www.assaabloy.ca

Norton[®] and Tri-Style[®] are registered trademarks of Yale Security Inc., an ASSA ABLOY Group company. Other products' brand names may be trademarks or registered trademarks of their respective owners and are mentioned for reference purposes only. These materials are protected under U.S. copyright laws. All contents current at time of publication. Copyright © 1999-2015, Yale Security Inc., an ASSA ABLOY Group company. All rights reserved. Reproduction in whole or in part without the express written permission of Yale Security Inc. is prohibited.