

3000 Series Exit Devices

Premier Product

Certification & Compliance:

- ANSI/BHMA A156.3, Grade 1
- ANSI A117.1 Accessibility Code
- Underwriters Laboratories (UL and CUL) listed for accident hazard (panic) standard.
- Fire Exit hardware for hollow metal doors, UL and CUL listed for 3 hour, A label and lesser doors, Prefix "F" before part number.
- Fire Exit hardware for wood doors, listed up to 1-1/2 hour, B label doors.
- All exit devices comply with life safety code NFPA 101.
- All fire rated devices comply with fire door and window code NFPA80.

3880
Rim Exit Device



3900
Mortise Exit Device



3700 Surface
Vertical Rod Exit Device



General Specifications:

	3700	3880	3900
Chassis	Non-ferrous alloy	Non-ferrous alloy	Non-ferrous alloy
Chassis cover	Cold drawn brass, bronze or stainless steel	Cold drawn brass, bronze or stainless steel	Cold drawn brass, bronze or stainless steel
Door Types	Wood or metal	Wood or metal	Wood or Metal
Door Thickness	1-3/4" (44.45mm) standard up to 2-1/4" (57.15mm) available	1-3/4" (44.45mm) standard up to 2-1/4" (57.15mm) available	1-3/4" (44.45mm) standard up to 2-1/4" (57.15mm) available
Stile	4-1/2" (144.30mm) minimum with trim, 3-1/2" (88.90mm) minimum without trim.	See trim page for stile dimensions	4-1/2" (144.30mm) minimum
Mounting	Supplied with wood and machine screws. Available with thru bolts.	Supplied with wood and machine screws. Available with thru bolts	Supplied with wood and machine screws. Available with thru bolts.
Handing	Handed. Specify LHRB or RHRB	Handed. Specify LHRB or RHRB	Handed. Specify LHRB or RHRB.
Dogging	Allen type standard. Available with cylinder dogging (suffix "CD")	Allen type standard. Available with cylinder dogging (suffix CD)	Allen type standard. Available w/ cylinder dogging (suffix CD)
Top/Bottom Bolts	Brass	N/A	N/A
Latchbolt	N/A	Stainless steel, 3/4" (19.05mm) throw	Brass, 3/4" (19.05mm) throw
Rail	Roll-formed brass, bronze or stainless steel	Roll-formed brass, bronze or stainless steel	Roll-formed brass, bronze or stainless steel
Rail Projection	3-1/4" (82.55mm) maximum	3-1/4" (82.55mm) maximum	3-1/4" (82.55mm) maximum
Opening Height	90" (2286.00mm) standard	N/A	N/A
Fire Exit Hardware-up to:	4' x 8' single door 8' x 8' pairs of doors	4' x 8' single door 8' x 8' pairs of doors with S21 mullion.	4' x 10' single 8' x 10' pairs of doors (with 3600-FR) 8' x 8' pairs of doors (with 3700-FR)
Trim	See trim pages 110, 111	See trim pages 110, 111	See trim pages 110, 111
Finishes	AL, US3, US4, US10, US10B, US10BL, US32, US32D	AL, US3, US4, US10, US10B, US10BL, US32, US32D	AL, US3, US4, US10, US10B, US10BL, US32, US32D

Order Example:

Example: To order 3880 Rim Exit Device with SL Trim.

Specify:

Standard:

38	88	SL	26D	F	32D	RR	xxx
Series	Function	Outside Trim (If Applicable)	Outside Finish	Rail Size	Push Bar Finish	Handing	Options (If Required)

3000 Series Exit Devices

Premier Product

3000 Series Functions: Standard Strikes				
3700 Series	<p>S646 Standard & Fire Rated Top Strike</p> <p>Surface applied top strike. No mortise required. Nylon Coated. Furnished standard.</p>	<p>S23 Bottom Strike</p> <p>Standard strike. Surface applied to threshold or floor. Black nylon coated.</p>	<p>S60</p> <p>For mounting top plate on doors with flush panel heads.</p>	
	<p>S43 Bottom Strike</p> <p>Standard for SB3700. Alternate for S3700. No mortise required. Black nylon coated.</p>			
3800 Series	<p>S38</p> <p>Standard strike for 3800. Surface applied.</p>	<p>S39</p> <p>Alternate for 3800. Fully mortised. Dimension "L" equal to 1/2" greater than door thickness. Nylon coating on lip only.</p>	<p>S36</p> <p>Double door strike. Alternate for 3800. Use on a pair of doors with a mullion.</p>	<p>S31</p> <p>Alternate for 3800. Half mortised. Nylon coating on face only.</p>
	<p>3900 Series</p> <p>S48C</p> <p>Standard for S3900. Curved lip ANSI A115.1. Handed. 1 1/4" lip standard. Longer lips available in 1/4" increments up to 2 1/8".</p>	<p>S48</p> <p>Alternate for S3900. Flat lip ANSI A115.1. Non-handed. 1 1/4" lip standard. Longer lips available in 1/4" increments up to 2 1/8".</p>	<p>S47</p> <p>Alternate for S3900. Open back ANSI A115.14. Beveled 1/8" in 2". Handed. Specify hand of active door.</p>	

4000 Series Exit Devices

Premier Product

Certification & Compliance:

- ANSI/BHMA A156.3, Grade 1
- ANSI A117.1 Accessibility Code
- Underwriters Laboratories (UL and CUL) listed for accident hazard (panic) standard.
- Fire Exit hardware for hollow metal doors, UL and CUL listed for 3 hour, A label and lesser doors, Prefix "F" before part number.
- Fire Exit hardware for wood doors, listed up to 1-1/2 hour, B label doors.
- All exit devices comply with life safety code NFPA 101.
- All fire rated devices comply with fire door and window code NFPA80.



4800
Narrow Stile Rim Exit Device



4900
Narrow Stile Mortise Device



General Specifications:

	4800	4900
Chassis	Non-ferrous alloy	Non-ferrous alloy
Chassis cover	Cold drawn brass, bronze or stainless steel	Cold drawn brass, bronze or stainless steel
Door Types	Wood, hollow metal or extruded aluminum	Wood or hollow metal
Door Thickness	1-3/4" (44.45mm) minimum	1-3/4" (44.45mm) standard, up to 2-1/4" (57.15mm) available
Stile	1-3/4" (44.45mm) minimum	4-1/2" (114.30mm) minimum
Mounting	Supplied with wood and machine screws. Available with thru bolts.	Supplied with wood and machine screws. Available with thru bolts.
Handing	Handed. Specify LHRB or RHRB	Handed. Specify LHRB or RHRB
Dogging	Allen-type standard. Available with cylinder dogging (suffix CD)	Allen-type standard. Available with cylinder dogging (suffix CD)
Top/bottom bolts	N/A	N/A
Latchbolt	Stainless steel, 3/4" (19.05mm) throw	Brass, 3/4" (19.05 mm) throw
Rail	Roll formed brass, bronze or stainless steel	Roll formed brass, bronze or stainless steel
Rail Projection	3-1/4" (82.55mm) maximum	3-1/4" (82.55mm) maximum
Opening Height	N/A	N/A
Fire Exit Hardware—up to:	N/A	4' x 8' single door 8' x 8' pairs of doors
Trim	See trim pages 110, 111	See trim pages 110, 111
Finishes	US3, US4, US10, US10B, US10BL, US32, US32D	US3, US4, US10, US10B, US10BL, US32, US32D

Order Example:

Example: To order 4800 Narrow Stile Rim Exit Device with SL Trim.

Specify:

Standard:	<u>48</u>	<u>08</u>	<u>SL</u>	<u>26D</u>	<u>F</u>	<u>32D</u>	<u>RR</u>	<u>xxx</u>
	Series	Function	Outside Trim (If Applicable)	Outside Finish	Rail Size	Push Bar Finish	Handing	Options (If Required)

S1150 & S1250 Series Exit Devices

Classic Product

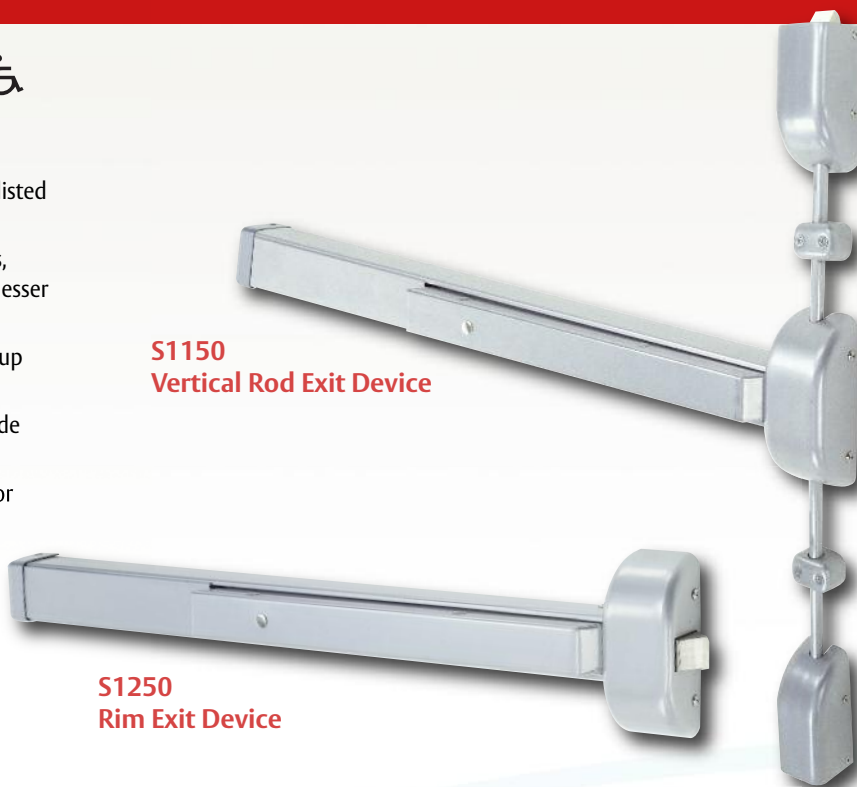
Certification & Compliance:

- ANSI/BHMA A156.3, Grade 1
- ANSI A117.1 Accessibility Code
- Underwriters Laboratories (UL and CUL) listed for accident hazard (panic) standard.
- Fire Exit hardware for hollow metal doors, UL and CUL listed for 3 hour, A label and lesser doors, Prefix "F" before part number.
- Fire Exit hardware for wood doors, listed up to 1-1/2 hour, B label doors.
- All exit devices comply with life safety code NFPA 101.
- All fire rated devices comply with fire door and window code NFPA80.



S1150
Vertical Rod Exit Device

S1250
Rim Exit Device



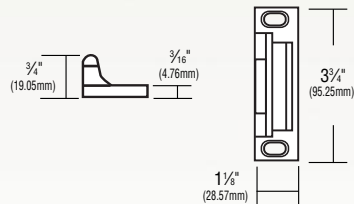
General Specifications:

	S1150	S1250
Chassis & Cover	Non-ferrous alloy	Non-ferrous alloy
End caps	Metal	Metal
Doors	1-3/4" (44.45mm) thick wood or hollow metal 3-3/4" minimum stile for single doors 3-1/2" (88.90mm) minimum stile for double doors	1-3/4" (44.45mm) thick wood or hollow metal 4-1/2" (114.3mm) minimum stile 4-5/8" for fire-labeled devices
Handing	Reversible	Reversible
Dogging	Allen-type key standard, cylinder available.	Allen-type key standard, cylinder available.
Top/Bottom Bolts/ Latchbolt	Brass 1/2" (12.7mm) throw top, 3/4" (19.05mm) bottom	3/4" (19.05mm) throw, stainless steel
Throughbolts	Order separately	Order separately
Rail Assembly	Steel	Steel
Rail Size	Furnished standard for doors up to 36", can be cut down to accommodate 32" doors. Alternate rail sizes available for narrow or wide doors	Furnished standard for doors up to 36", can be cut down to accommodate 32" doors. Alternate rail sizes available for narrow or wide doors
Rods	90"-extension kits available	N/A
Trim	See trim page 105	See trim page 105
Finishes	AL, BRZ, LBZ (sprayed finishes)	AL, BRZ, LBZ (sprayed finishes)

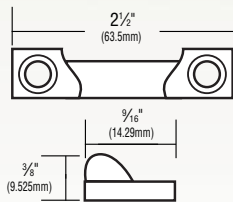
S1150 & S1250 Series Exit Devices

Classic Product

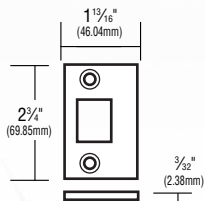
Strikes – S1150 Series:



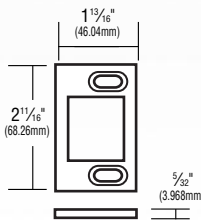
Standard & Fire Rated Top Strike - S646
Surface applied top strike. No mortise required. Nylon Coated. Furnished standard.



Standard Bottom Strike - S23
S23 bottom Strike surface applied to threshold or floor. Black nylon coated, furnished standard.

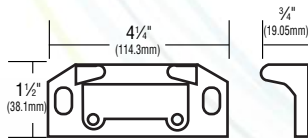


Fire Rated Bottom Strike - S655
Standard for FS1150. Flush mounted, stainless steel. Furnished with expansion shields.

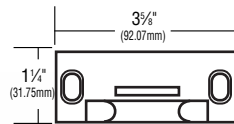


Sliding Bottom Bolt - S43
Alternate bottom strike for SVR.

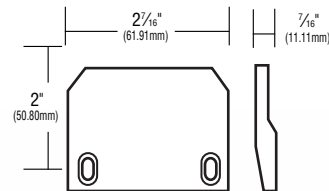
Strikes – S1250 Series:



Fire Rated Surface Strike - S24
Surface applied nylon coated for fire labeled S1250



Standard Surface Strike - S38
Surface applied furnished standard.



Double Door Strike - S36
Strike for double doors without mullion.

Parts:

Chassis Covers, End Caps & Dogging Key

	Part No.
Chassis cover for 1150	28-0018
Chassis cover for 1250	28-0013
End cap for 1150 & 1250	28-0012
End cap mounting bracket	68-0080
Dogging Key	97-0001

Rail Assemblies – Standard Rail, Sprayed Finish

24" - 32" Doors	PR-24
32-1/4" - 36" Doors	PR-36
36-1/4" - 48" Doors	PR-48
Add "F" prefix for fire rated	

Rail Assemblies – Rail with Cylinder Dogging, Sprayed Finish

24" - 32" Doors	PR-24 CD
32-1/4" - 36" Doors	PR-36 CD
36-1/4" - 48" Doors	PR-48 CD

Extension Rod Kit for S1150 Series

18 inch	VRX-18
24 inch	VRX-24

S1150 & S1250 Series Exit Devices

Classic Product

S1150 & S1250 Exit Device Trim:

Matching trim available to complement: cylindrical locks mortise locks, exit devices, and alarms.

Functions:

Passage – Trim always operative.

Storeroom – Key retracts latch, key removable only when trim is locked.

Classroom – Key locks/unlocks trim.

Ordering Information:

Trim Type	Passage	Storeroom	Classroom
Lever	SRX01	SRX82	SRX87
Ball Knob	BD01	BD12	BD17
Tudor Knob	TA01	TA12	TA17
Plate	SF01	SF12	n/a

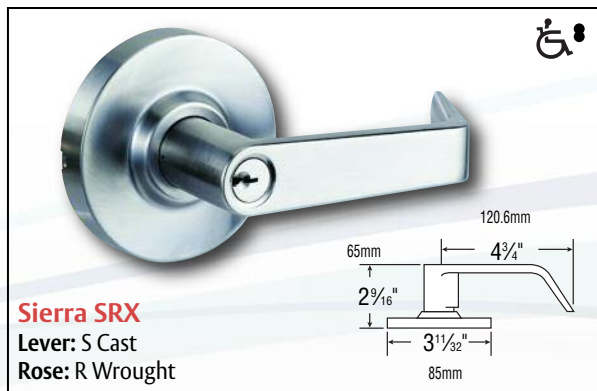
Finish:

Knobs: US3, US4, US10, US10B, US26, US26D

Levers: US26D, US10B

Plate: AL, BRZ

Lever Trim:



Knob Trim:

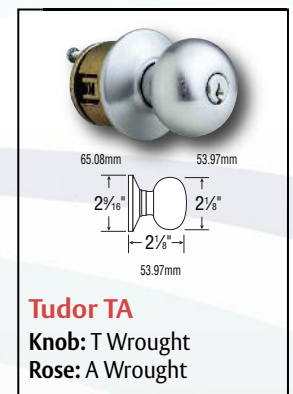
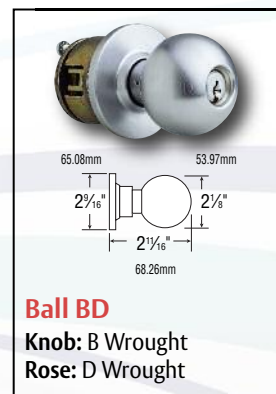
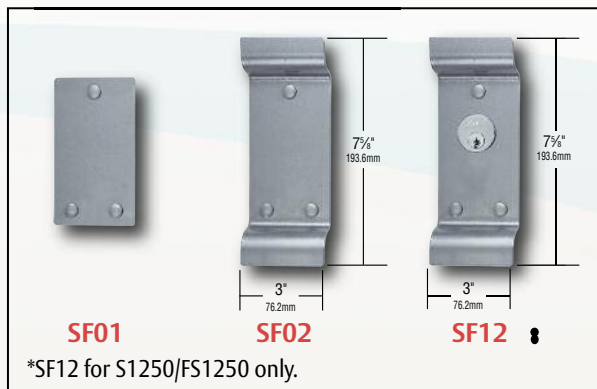


Plate Trim:



Lever Trim Cover Plate:



3000, 4000 Series Exit Devices

Arrow 3000 & 4000 Series

Exit Device Trim:

Optional Slip-Clutch Lever Design

- Optional slip-clutch is built in beneath security collar added to shank of lever.
- Available for use with SL88, SL33 and SL08 exit device trim for 3000 Series Exit Devices. (Not available for S1150 or S1250 Series devices.)



Vandal-resistant slip-clutch lever releases when excessive force is applied without retracting latch. Easily reset by returning lever to horizontal position.

Exit Device Type:

ANSI TYPE	ARROW DEVICE	
Type 1	Rim	S1250, 3800
Type 2	Surface Vertical Rod	S1150, 3700
Type 3	Mortise	3900
Type 4	Narrow Stile Rim	4800
Type 6	Narrow Stile Concealed Vertical Rod	4600
Type 8	Metal Door Concealed Vertical Rod	3600
Type 10	Narrow Stile Mortise	4900
Type 22	Removable Mullion	S20, S21

Exit Device Function:

ANSI	ARROW FUNCTION	
01	Exit only; no outside trim	01, 03
02/82	Entry by trim when actuating bar is locked	01, 02, 03
03/83	Entry by trim when latchbolt retracted by key. Key removable only when trim is locked.	03
05	Entry by thumbpiece when thumbpiece locked/unlock by key.	05
05A	Entry by thumbpiece; thumbpiece always operative, no outside cylinder.	5A
08/88	Entry by knob/lever; outside key locks, unlocks knob/lever.	08
08A	Entry by knob/lever; outside knob/lever always operative.	08A
11	Entry by auxiliary control turnpiece key locks, unlocks control.	11
12	Entry by auxiliary control turnpiece only when released by turning key. Key removable only when locked.	12

Exit Device Trim Functions:

Function	3700/3700-FR	3800/3800-FR	3900/3900-FR
02*	SP, SS, SB, SN, SL	SP, SS, SB, SN, SL	SP, SS, SB, SN, SL
03	N/A	SP, SS, SB, SN, SL	SP, SS, SB, SN, SL
05	SP, SS, SB, SN	SP, SS, SB, SN	SP, SS, SB, SN
05A	SP, SS, SB, SN	SP, SS, SB, SN	SP, SS, SB, SN
08	SL	SL	SL
08A	SL	SL	SL
11	S311	N/A	N/A
12	S312	N/A	N/A

Function	4800	4900/4900-FR
02*	SS, SL	SS, SN, SL
03	SS, SL	SS, SN, SL
05	N/A	SS, SN
05A	N/A	SS, SN
08	SL	SL
08A	SL	SL
11	N/A	N/A
12	N/A	N/A

*02 not available fire rated.

Order Example:

Example: To order.

Specify:

Standard:	<u>38</u>	<u>88</u>	<u>SL</u>	<u>26D</u>	<u>F</u>	<u>32D</u>	<u>RR</u>	<u>xxx</u>
	Series	Function	Outside Trim (If Applicable)	Outside Finish	Rail Size	Push Bar Finish	Handing	Options (If Required)

500 & 600 Series Exit Devices

Value Product

Certification & Compliance:

- ANSI/BHMA A156.3, Grade 1
- Underwriters Laboratories (UL and CUL) Listed for accident hazard (panic) standard.
- Fire Exit hardware for hollow metal doors, UL and CUL listed for 3 hour, A label and lesser doors, Suffix "-FR" after part number.
- Fire Exit hardware for wood doors, listed up to 1-1/2 hour, B label doors
- All exit devices comply with life safety code NFPA 101
- All fire rated devices comply with fire door and window code NFPA80.



600 Series
Vertical Rod Exit Device



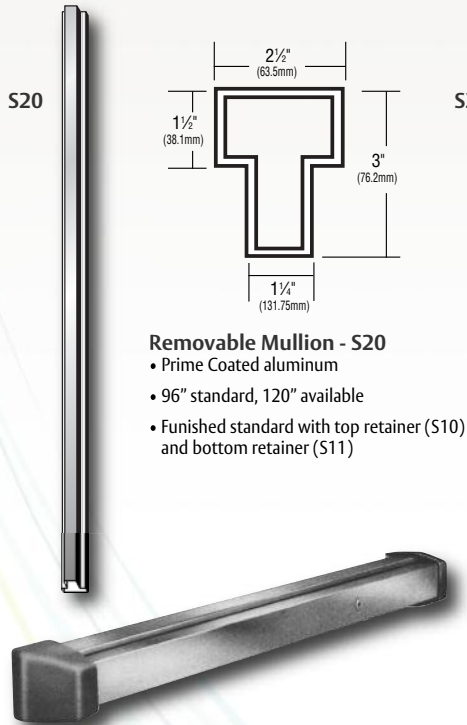
500 Series
Rim Exit Device

General Specifications:

	500	600
Chassis	Non-ferrous materials	Non-ferrous alloy
Chassis Cover	Black Lexan	Black Lexan
Door Type	Hollow metal or aluminum	Hollow metal or aluminum
Door Thickness	1-3/4" (44.5mm) thick doors standard. 500DK Kits available for use with 161 door prep	1-3/4" (44.5mm) thick doors standard. 500DK Kits available for use with 161 door prep
Stile	4-1/2" (144.30mm) minimum	3-1/2" (144.30mm) minimum
Mounting	Wood and Machine screws furnished standard	Wood and Machine screws furnished standard
Handing	Reversible	Reversible
Dogging	Hex-type hold down not available with fire rated devices	Hex-type hold down not available with fire rated devices
Latchbolt	Stainless Steel	Top bolt - stainless; Bottom bolt - brass, -FR top and bottom bolts - stainless
Rail Assembly	Powder Coated Steel	Powder Coated Steel
Fire Exit Hardware-up to:	4' x 8' single door, 8' x 8' pairs of doors	8' x 8'
Trim	See S1250 Series	See S1150 Series
Finishes	Exit devices & Pulls: AL & DBZ, Lever Trim 10B & 26D	Exit devices & Pulls: AL & DBZ, Lever Trim 10B & 26D
Strike Size	S38 Strike	Top 646, Bottom S23 90" Standard, Optional door height available 96"
Door Width	530 Device is for 36" door can be cut for a minimum 30" door width. 540 Device is for 48" door can be cut for a minimum 37" door width	630/638 Device is for 36" door can be cut for a minimum 30" door width. 640/648 Device is for 48" door can be cut for a minimum 37" door width

Mullions & Accessories Series Exit Devices

Mullions & Accessories:

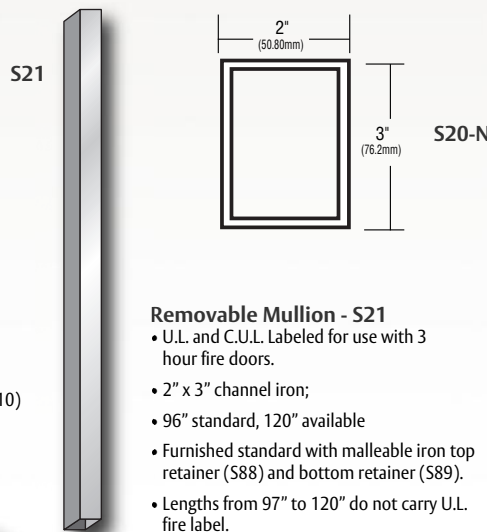


Removable Mullion - S20

- Prime Coated aluminum
- 96" standard, 120" available
- Finished standard with top retainer (S10) and bottom retainer (S11)

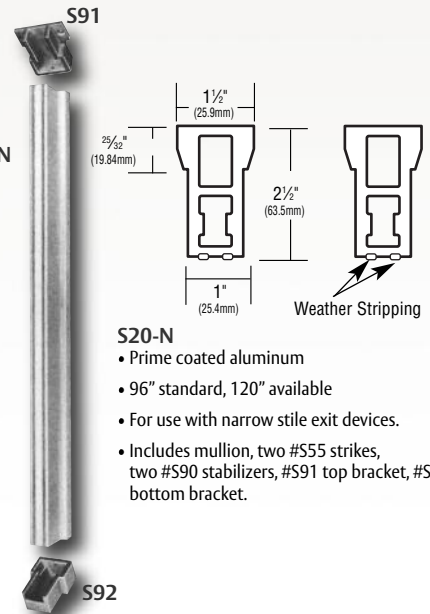
S3000 Dummy Rail

A non-functioning rail assembly for use on double doors. Matches S3000 and S4000 series exit devices. Available in sizes 24 (for 24"-29" doors), 36 (for 30"-36" doors), 48 (for 37"-48" doors). Bars can be cut down in the field. For stile width under 4-1/2", specify next larger size. Available in finishes - 3, 4, 10, 10B, 32, 32D, AL, BRZ.



Removable Mullion - S21

- U.L. and C.U.L. Labeled for use with 3 hour fire doors.
- 2" x 3" channel iron;
- 96" standard, 120" available
- Furnished standard with malleable iron top retainer (S88) and bottom retainer (S89).
- Lengths from 97" to 120" do not carry U.L. fire label.



S20-N

- Prime coated aluminum
- 96" standard, 120" available
- For use with narrow stile exit devices.
- Includes mullion, two #S55 strikes, two #S90 stabilizers, #S91 top bracket, #S92 bottom bracket.



Cylinder Dogging Rail

- Optional cylinder dogging available



VRX-18 Rod Extension

- Prime Coated aluminum
- 96" standard, 120" available
- Furnished standard with top retainer (S10) and bottom retainer (S11)



Mullions:

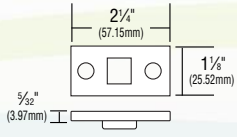
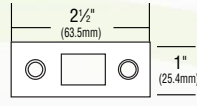
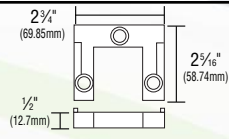
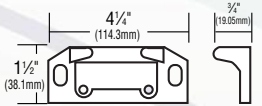
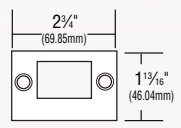
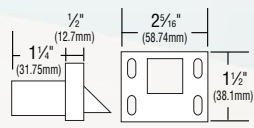
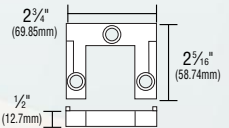
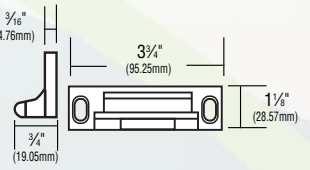
Description	Part No.
Removable mullion - 96"	S20
Removable Mullion - 120"	S20-120
Key removable mullion - 96", less cylinder	S20-K
Removable mullion for narrow stile - 96"	S20-N
Removable mullion for narrow stile - 120"	S20-N-120
Fire-rated removable mullion - 96"	S21
Fire-rated key removable mullion - 96", less cylinder	S21-K
Top retainer for S20	S10
Bottom retainer for S20	S11
Top retainer for S20-N	S91
Bottom retainer for S20-N	S92
Stabilizer for S20-N	S90
Top retainer for S21	S88
Bottom retainer for S21	S89

Fire Labeled Hardware Exit Devices

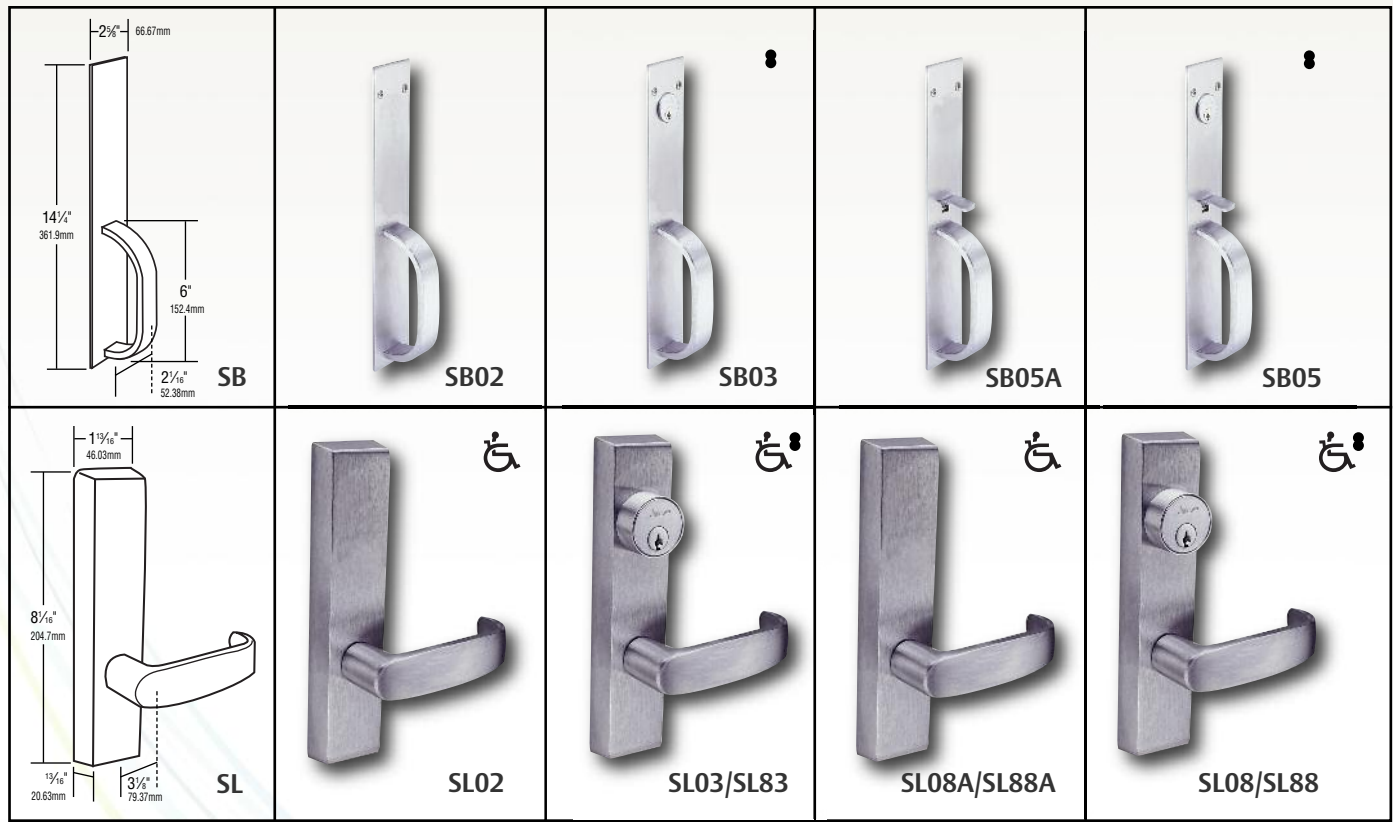
Selection chart for A through E labeled doors

For reference only. Refer to latest UL building materials list for complete information.














Application	Type	Narrow Device	Standard Device	Maximum Door Opening
Single Door	Rim	—	FS1250 1800-FR 3800-FR	4'0" x 8'0"
	Mortise	4900-FR	1900-FR 3900-FR	4'0" x 8'0"
Double Doors with S21 Mullion	Rim	—	FS1250 x FS1250 1800-FR x 1800-FR 3800-FR x 3800-FR	8'0" x 8'0"
	Mortise x concealed vertical rod	4900-FR x 4600-FR	3900-FR x 3600-FR	8'0" x 8'0"
Double Doors without Mullion	Mortise x surface vertical rod	—	1900-FR x 1700-FR 3900-FR x 3700-FR	8'0" x 8'0"
	Two concealed vertical rod	4600-FR x 4600-FR	3600-FR x 3600-FR	8'0" x 8'0"
	Two surface vertical rod	—	FS1150 x FS1150 1700-FR x 1700-FR 3700-FR x 3700-FR	8'0" x 8'0" (B-E)
Double Egress Doors	Two concealed vertical rod	4600-FR x 4600-FR	3600-FR x 3600-FR	8'0" x 7'2" (A) 8'0" x 8'0" (B-E)
	Two surface vertical rod	—	FS1150 x FS1150 1700-FR x 1700-FR 3700-FR x 3700-FR	8'0" x 7'2" (A) 8'0" x 8'0" (B-E)

 <p>S13 Bottom Strike Stainless steel. Furnished with expansion shields. Stainless steel.</p>	 <p>S14 For application to wood or hollow metal doors.</p>	 <p>S15 Bottom Strike Alternate for 1700-FS. For use on 1/2" threshold. Stainless steel. Furnished with expansion shields.</p>	 <p>S24 F-400 Series standard for single door applications. Black nylon coated.</p>
 <p>S45 Standard for F-S1700. Flush mounted. Stainless steel. Furnished with expansion shields.</p>	 <p>S46 Bottom Strike Standard for F-S1150, F-S3700. Flush mounted. Furnished with expansion shields. Stainless steel, black nylon coated.</p>	 <p>S58 Bottom Strike Alternate for F-S1150, 3700-FS. For use on 1/2" threshold. Stainless steel, nylon coated. Furnished with expansion shields.</p>	 <p>S646 Fire Rated Top Strike Standard for FS1150 and 3700-FR. Surface applied. Nylon Coated</p>

Exit Device Trim



Exit Device Trim

	<p>Auxiliary Outside Control</p>	 <ul style="list-style-type: none"> • S311—Use with S3700, FS3700, S1700, FS1700. Key locks or unlocks turn lever. S312—Use with S3700, FS3700, S1700, FS1700. Turn lever operative only with key in cylinder and turned. S411—Use with S3600, FS3600, FS4600. Key locks or unlocks turn lever. S412—Use with S3600, FS3600, FS4600. Turn lever operative only with key in cylinder and turned. S511—Use with S4600. Key locks or unlocks turn lever. S512—Use with S4600. Turn lever operative only with key in cylinder and turned. 		
<p>SP</p>	 <p>SP02/SP82</p>	 <p>SP03/SP83</p>	 <p>SP05A</p>	 <p>SP05</p>
<p>SS</p>	 <p>SS02/SS82</p>	 <p>SS03/SS83</p>	 <p>SS05A</p>	 <p>SS05</p>
<p>SN</p>	 <p>SN02/SN82</p>	 <p>SN03/SN83</p>	 <p>SN05A</p>	 <p>SN05</p>

Exit Device Selection Chart

For reference only. Refer to latest UL building materials list for complete information.

Application	Type	Narrow Stile Touch Bar	Standard Touch Bar	Crossbar
Single Door Mortise	Rim	4800	S1250, FS1250 3800, 3800-FR	—
	Vertical Rod	—	S1150, FS1150 3700, 3700-FR	Mortise
	Mortise	4900, 3900-FR	3900, 3900-FR	Mortise
Double Doors with Mullion	Rim	4800 x 4800 with S20-N mullion	S1250 x S1250 3800 x 3800 with S20 mullion FS1250 x FS1250 3800-FR x 3800-FR with S21 mullion	Mortise
Double Doors without Mullion	Concealed Vertical Rod	4600 x 4600	3600 x 3600	Mortise
	Vertical Rod	—	S1150 x S1150 FS1150 x FS1150 S3700 x S3700 3700-FR x 3700-FR	Mortise
	Vertical Rod x Mortise	—	3700 x 3700 3700-FR x 3700-FR	Mortise