

PARTS LIST

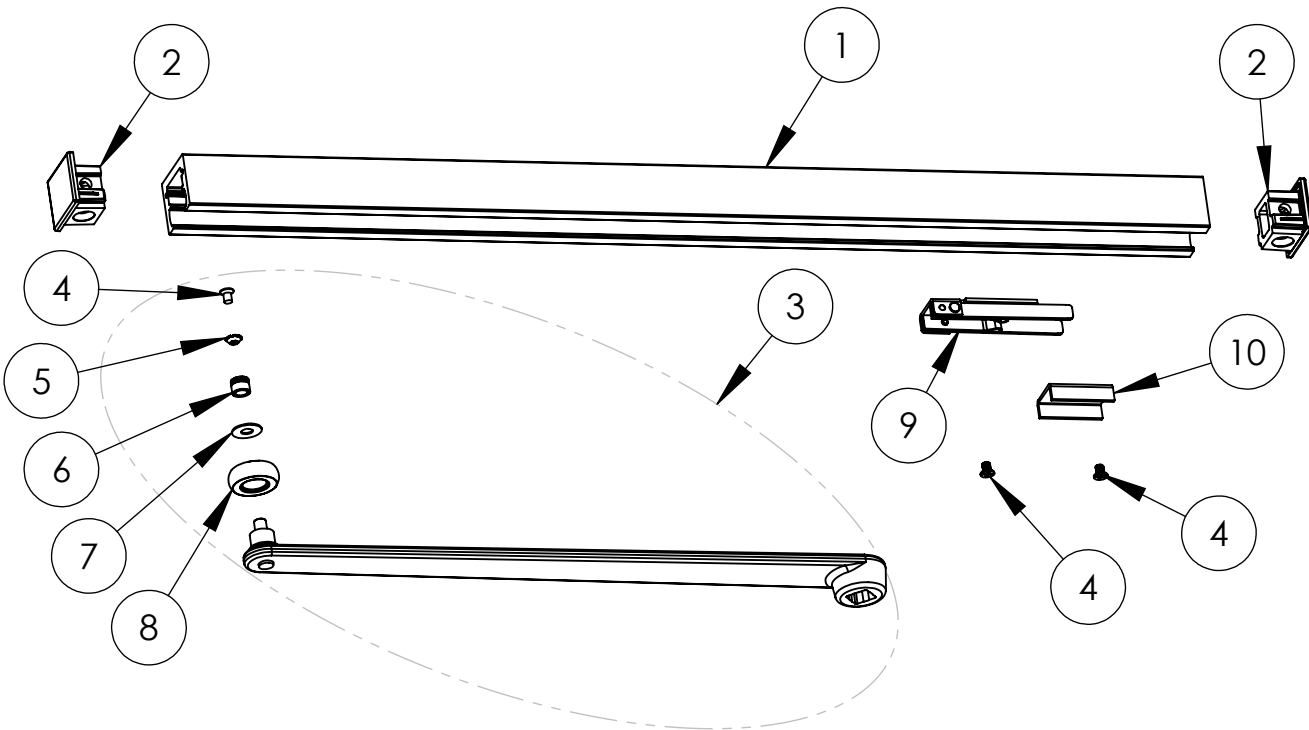
25-PHT TRACK TYPE ARM WITH HOLD OPEN, PUSH SIDE

PARTS LIST

PAGE No. 19 REV. B

4/2011

ITEM No.	PART No.	DESCRIPTION	QTY.
1	*63-0159	CHANNEL PUSH	1
2	*63-0682	END CAP	2
3	*63-3901	MAIN ARM ASSEMBLY (TRACK TYPE)	1
4	01-1028	8-32 x 1/4" FLAT UNDERCUT HEAD SCREW	3
5	01-0930	COUNTERSUNK LOCK WASHER	1
6	63-0738	ROLLER BUSHING	1
7	63-0687	WASHER	1
8	63-3900	ROLLER & BEARING ASSEMBLY	1
9	63-2063	SPRING SLIDE ASSEMBLY	1
10	63-0678	SPRING SUPPORT	1
11	*63-3482	SCREW PACK (NOT SHOWN)	1



* FINISH REQUIRED: POWDER COAT FINISHES - EB, EN, ED, EP, EAB.

© SARGENT Manufacturing Company. An ASSA ABLOY Group Company. All Rights reserved.