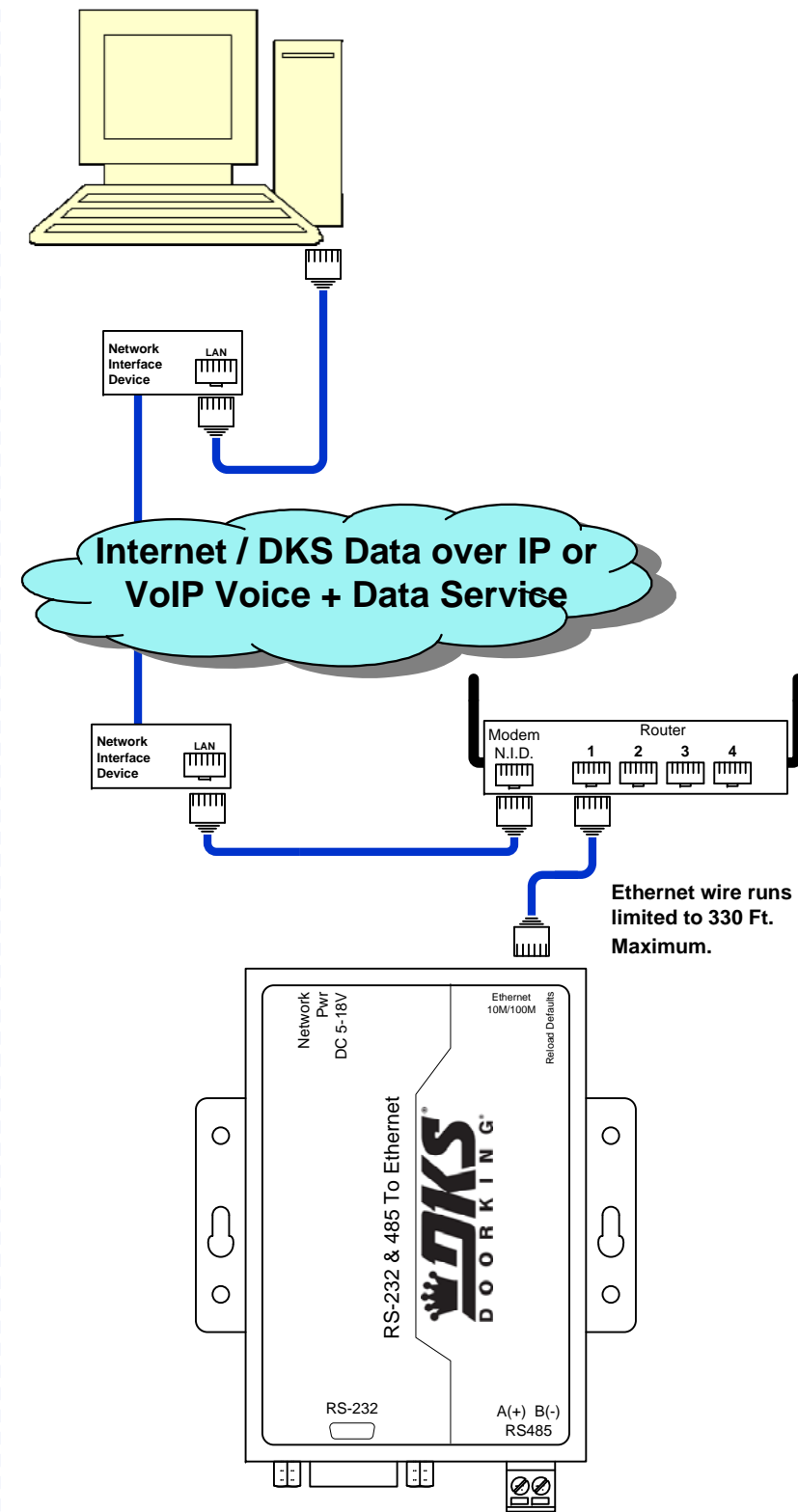


WIRING FOR 1830-186 TCP/IP Server Mode to RS-232 CONVERTER KIT



Connection via INTERNET



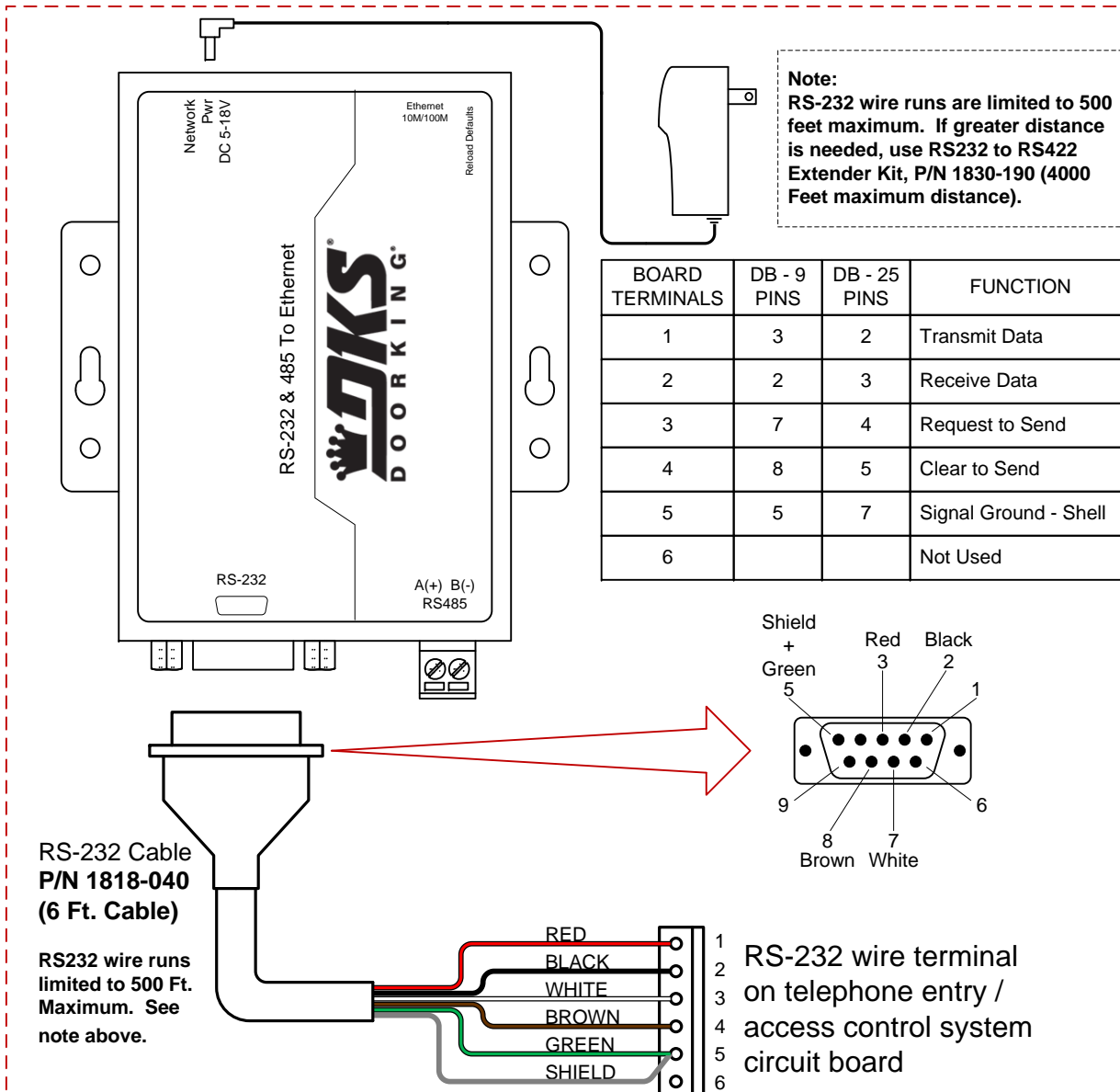
General Information

Use these instructions when using the TCP/IP adapter, part number 1830-186. This is a Plug and Play device (no manual setup required) and uses the DKS Data over IP or VoIP Voice + Data subscription service. For manual setup (no subscription required), use TCP/IP adapter part number 1830-185. **NOTE: THIS DEVICE IS NOT COMPATIBLE WITH CELLULAR NETWORKS.**

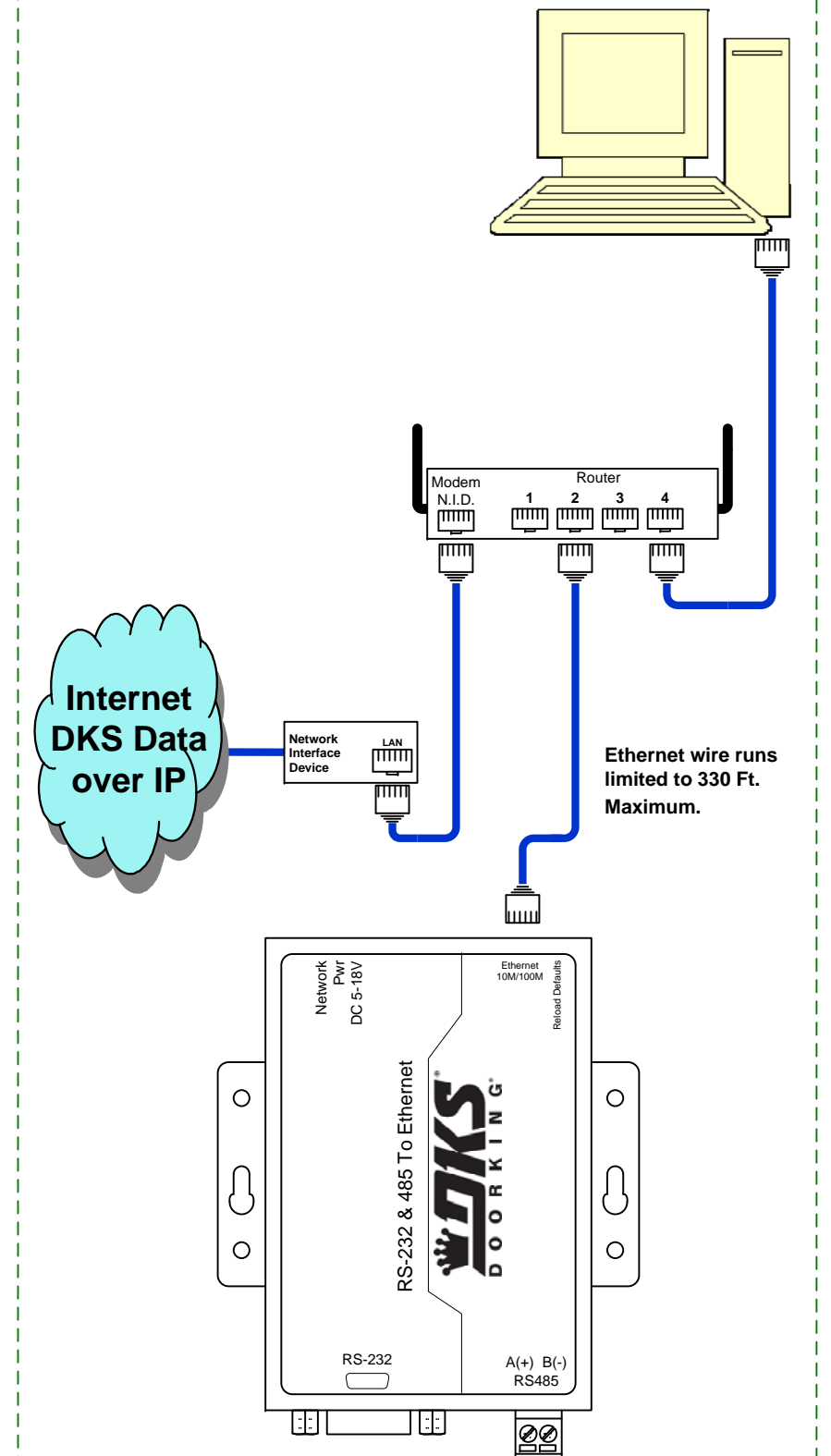
You can use the 1830-186 Converter Kit with the following DKS Systems: 1833, 1834, 1835, 1837, 1838 with REV Y board (or higher).

16.5 VAC power is required at the Aux Terminal pins 1 and 2 in the 1830 Series controller:
 Refer to these manuals for detailed 1830 Series wiring information:
 P/N 1834-065 or P/N 1835-065 Telephone Entry Systems Installation Manual
 P/N 1838-065 Access Controller Installation Manual

Connect Converter to 1830 Series Circuit Board RS-232 Terminals



Connection via LAN



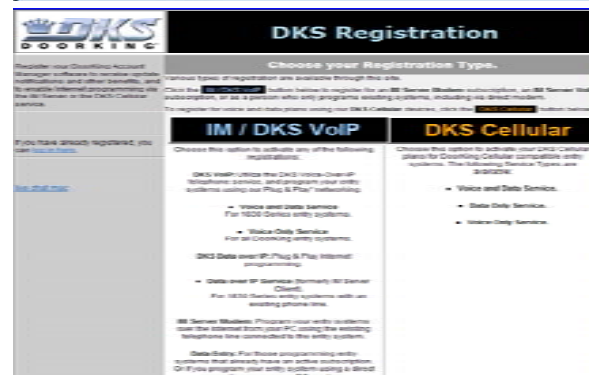
Programming Instructions when using the 1830-186 Plug & Play TCP/IP Converter Kit

At the Programming Computer (PC Only)

1 Install the Remote Account Manager software version 6.3.i on the programming PC and register the software by following the on screen instructions.



2 Choose **IM / DKS VoIP** to register for a Data over IP or VoIP Voice + Data subscription.



3 Complete the required contact information and then click Register.



4 Select the first choice.



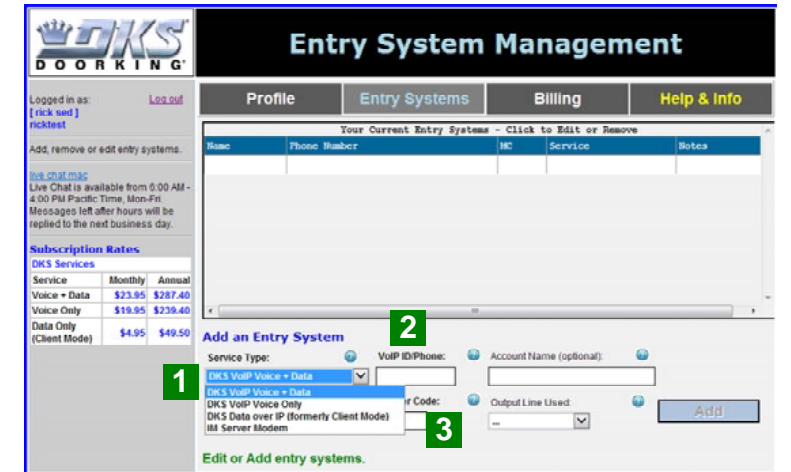
Setup the 1830 Series Entry System for Data over IP or VoIP Voice + Data

1 In Service Type, choose VoIP Voice + Data or Data over IP.

2 If VoIP Voice + Data was selected, enter the VoIP ID code that came with the VoIP adapter.

If Data over IP was selected, a 10 digit number will be generated for you.

3 Enter the system Master Code.
(The Master Code can only be programmed at the entry system. Enter that Master Code here).

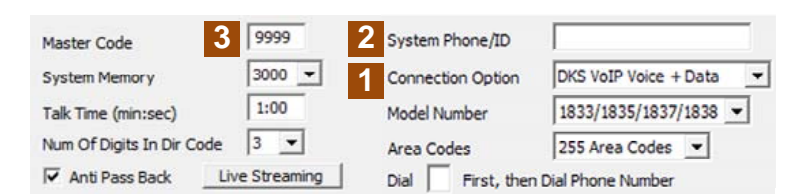


Setup an Account in the Remote Account Manager Software 6.3.i

1 Connection Option, choose VoIP Voice + Data or Data over IP.

2 Enter the VoIP ID code that came with the VoIP adapter, or enter a 10 digit code that was generated for you.

3 Enter the system Master Code that was set at the entry system.



Program the 10-Digit Telephone Number / System ID at the Entry System

Program the 10 Digit System Phone or ID Number at the entry system keypad:

- * 5 9 ____ (Master Code) (beep).
- Enter the 10 Digit Phone / ID Number _____ then press * (beep).
- Press 0 # together to exit the programming sequence (beeeeeep).

To test the connection at the entry system:

- * 2 9 ____ (Master Code). The system will respond with:
1 beep – display reads “System is Registered” You’re Done!
2 beeps – display reads “Check Registration” Communication to the server is good, but check below for errors.

Summary

Server Registratation	System Information (software)	System (hardware)
1 Service Type	Must Match	1 Connection Option
2 System Phone / ID	Must Match	2 System Phone / ID
3 Master Code	Must Match	3 Master Code