



Integrated security solution

with AD-300/301 Hardwired,
AD-400/401 Wireless devices
and C·CURE 9000

SOFTWARE HOUSE



Overview

Schlage AD Series locks seamlessly integrate with C · CURE 9000 to provide a cost effective and scalable access control solution to meet your security needs.

Schlage AD Series locks combine the components typically found around the door, such as the door position switch and the request to exit switch, into one unit which simplifies installation and saves money. And since they are designed to be modular, Schlage AD Series locks can easily be upgraded in the future to meet your changing security and technology requirements.

The AD Series is available in both hardwired and wireless configurations to suit the requirements of the facility. AD Series wireless locks provide many of the key benefits of a hardwired system including real-time monitoring, audit trails, centralized lockdown and instant access control management. In retrofit applications the Schlage AD Series wireless locks and devices, which eliminate the need to run wires direct to each opening, can help you extend the reach of your access control system.

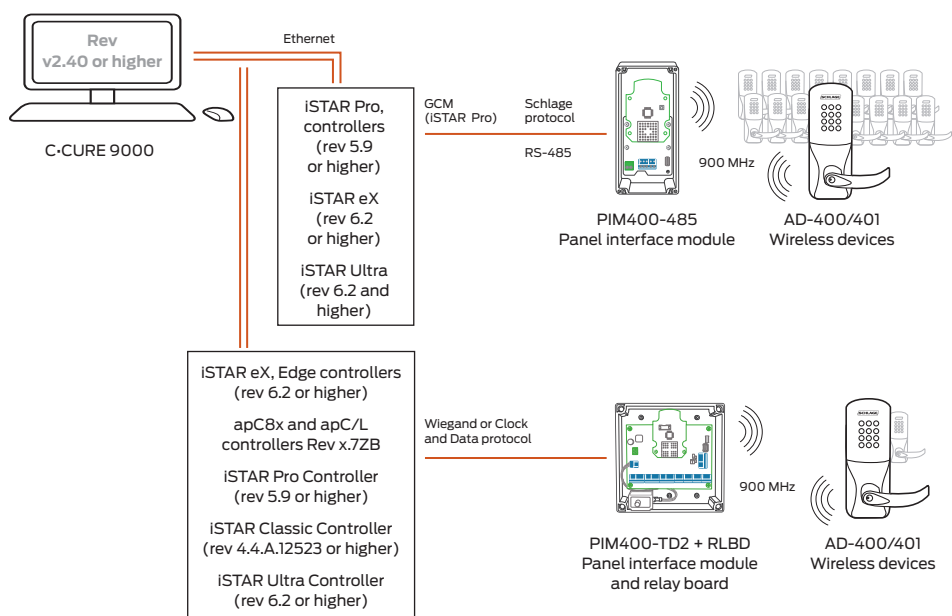
AD-301 and AD-401 FIPS 201-1 Compliant solutions available using FMK reader. Please contact Software House to confirm they are able to support your FIPS 201 credential format.

System Capabilities Summary

- AD-400/401 Wireless
 - Secure 900 MHz wireless communication, AES-128 encrypted
 - Real time access control and monitoring
 - Patent pending wireless lockdown /unlock feature via PIM400 10 seconds or less (preserves up to 2 year battery life)
 - Powered by four (4) standard off-the-shelf AA batteries
- AD-300/301 Hardwired
 - Field configurable fail safe/fail secure
- Additional details on readers supported and chassis types available on page 3 and 4
- Weather Resistant, Exterior Operating Temperature: -31° to 151°F (-35° to 66°C)
- Additional wireless products also available
 - Wireless Portable Reader (WPR400) for muster stations, buses, etc.
 - Wireless Reader Interface (WRI400) eliminates running wires to remote doors, gate, and elevator applications
- ANSI/BHMA A156.25, ANSI/BHMA Grade 1, UL 294, UL 10C

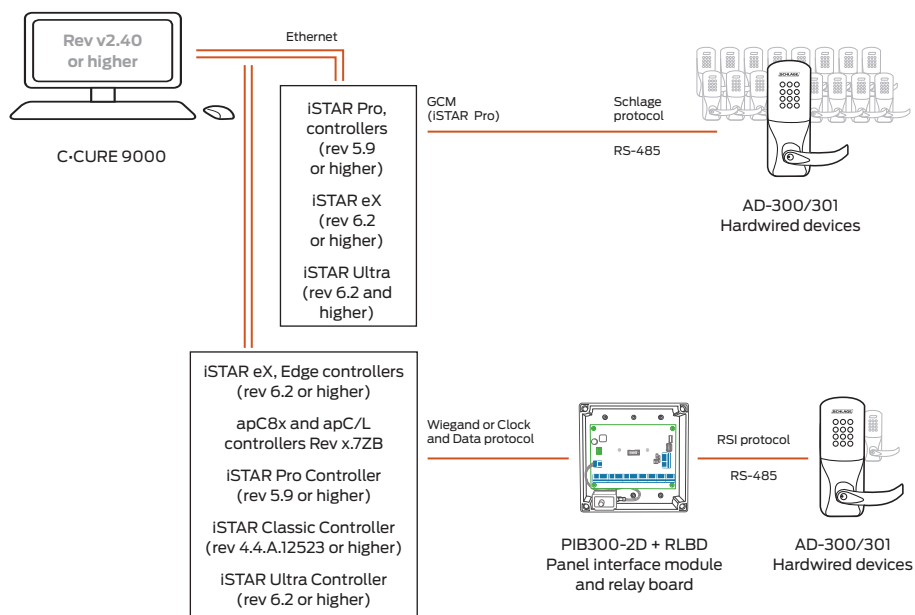
AD-400/401 via RS-485 and/or Wiegand with C · CURE 9000 and iSTAR Controllers

- iSTAR Pro and eX Controllers support up to 16 readers
 - Each connected PIM400-485 can support up to 16 AD-400/401 wireless devices
 - Each connected PIM400-TD2 can support up to 2 AD-400/401 wireless devices
- New ISTAR Ultra Controller has 2 RS-485 ports. Each port can support up to 16 AD-400 locks on up to 16 PIM400-485 and a maximum of 32 AD-400 locks total.
- iSTAR Pro supports wake on radio and pin functionality with CCURE 9000 2.10R2P1 and firmware 5.2.1.19705
- Wireless range up to 200' in typical building construction, up to 1000' clear line of sight



AD-300/301 via RS-485 and/or Wiegand with C · CURE 9000 and iSTAR Controllers

- iSTAR Controllers support up to 16 readers
 - When connected directly can support up to 16 AD-300/301 wired devices; daisy chained
 - Each connected PIB300-2D can support up to 2 AD-300/301 wired devices
- New ISTAR Ultra Controller has 2 RS-485 ports. Each port can support up to 16 AD-400 locks on up to 16 PIM400-485 maximum of 32 AD-400 locks total.



Note:

Please refer to AD-300, AD-301, PIB300-2D, AD-400, AD-401, PIM400-485, PIM400-TD2, and Relay Board RLBD data sheets for complete AD Series specifications.

System capabilities:

	AD-400/401 PIM400-485	AD-400/401 PIM400-TD2 + RLBD	AD-300/301 Direct RS485	AD-300/301 PIB300-2D + RLBD
Features				
Maximum number of readers supported by controller/PIM/PIB	16 /32 ⁴	16	16 /32 ⁴	16
Maximum number of readers per PIM400/PIB300	16	2	N/A	2
Maximum number of PIM400s and/or AD-300s per RS-485 port	Up to 16	n/A	Up to 16	N/A
Access control decision made by host or by lock database	Host	Host	Host	Host
Remote Linking capability via Host	No	No	N/A	N/A
Readers - see supported card formats below				
Keypad only	Yes	Yes	Yes	Yes
Magnetic stripe card	Yes	Yes	Yes	Yes
Multi-technology - 125 kHz proximity and 13.56 MHz smart card	Yes (smart cards up to 32 bits)	Yes (smart cards up to 32 bits)	Yes (smart cards up to 32 bits)	Yes (smart cards up to 32 bits)
PIV & PIV-I card compatible ^{1,3}	Yes	Yes	Yes	Yes
Card + PIN	Yes	Yes	Yes	Yes
Status monitors				
Request to exit	Yes	Yes	Yes	Yes
Door position	Yes	Yes	Yes	Yes
Mechanical key override	Yes	Yes	Yes	Yes
Request to enter	No	No	No	No
Low battery status	Yes	Yes	N/A	N/A
Communication status: RF/RS-485	Yes/Yes	Yes/Yes	Yes/Yes	Yes/Yes
Remote lockdown/unlock	Yes (<10 sec)	Yes (<10 sec) ²	Yes	Yes
Deadbolt position	No	No	No	No
Interior push button	Yes	Yes	Yes	Yes
Lock functions				
Classroom/storeroom	Yes	Yes	Yes	Yes
Privacy	Yes	Yes	Yes	Yes

Please contact Software House for additional details on integrated features and credentials supported.

Supported card formats

Proximity cards (125 kHz):

- AWID®
- GE/CASI®
- HID®
- Schlage®
- XceedID®

Smart cards (13.56 MHz):

- aptiQ™ MIFARE Classic
- aptiQ™ MIFARE DESFire™ EV1
- PIV and PIV-I compatible³

Smart cards (13.56 MHz) - reads card serial number only:

- HID iCLASS®
- DESFire®
- MIFARE®
- MIFARE DESFire™ EV1

1 75 bit format output default. Configurable to other output formats.

2 Wake-up on Radio over PIM400-TD2 on up to 2 doors requires configuration at PIM via HHD

3 FIPS 201 compliant option available: The AD Series can be used in applications which require approval by the U.S. Federal Government under HSPD-12 for FIPS 201 compliance. Specific components are required, please see the AD-401 data sheet or AD-301 data sheet for complete details. Contact Software House to confirm they are able to support your FIPS 201-I credential format.

4 iStar Ultra

Available AD Series reader modules



Multi-technology

- Proximity
- Smart card

KEYPAD

FIPS 201-1 compliant
option available (FMK)



Multi-technology

- Proximity
- Smart card



Magnetic stripe (insertion)

KEYPAD



Magnetic stripe (insertion)



Magnetic stripe (swipe)

KEYPAD



Magnetic stripe (swipe)



Handheld device (HHD)

Used to initialize,
configure, and test
AD Series Devices

Compatibility

AD Series electronic locks from Schlage are built from the ground up to provide more options, more functionality and more compatibility than any other solution on the market today. Designed to suite with the most popular lever styles and finishes, Schlage AD Series locks can be configured to accept most major key systems. See lever and cylinder compatibility data sheet (010432).

Mortise Lock
(AD-300/301-MS)
(AD-400/401-MS)



Cylindrical Lock
(AD-300/301-CY)
(AD-400/401-CY)



Exit Device Trim
(AD-300/301/400/401-993)



The AD Series exit trims are exclusively compatible with exit devices made by Allegion when using the low current request to exit switch (RX-LC part # 050281 for Von Duprin 98/99 & Von Duprin 22/22F Rim/SVR devices and part number 650359 for Falcon 25 Rim devices).

Lever styles

Standard cylinders shown, SFIC and FSIC also available.



Sparta



Rhodes



Athens



Tubular

Finishes

Warm tone finishes



605
Bright brass



606
Satin brass



612
Satin bronze



643e
Aged bronze

Cool tone finishes



619
Satin nickel



625
Bright chrome



626
Satin chrome



626AM
Satin chrome with
antimicrobial

Allegion, the Allegion logo, Schlage, the Schlage logo, Von Duprin, Falcon, and aptiQ are trademarks of Allegion plc, its subsidiaries and/or affiliates in the United States and other countries. All other trademarks are the property of their respective owners.

About Allegion

Allegion (NYSE: ALLE) is a global pioneer in safety and security, with leading brands like CISA®, Interflex®, LCN®, Schlage® and Von Duprin®. Focusing on security around the door and adjacent areas, Allegion produces a range of solutions for homes, businesses, schools and other institutions. Allegion is a \$2 billion company, with products sold in almost 130 countries. For more, visit www.allegion.com.

aptiQ ■ LCN ■ SCHLAGE ■ STEELCRAFT ■ VON DUPRIN



© 2015 Allegion
009834, Rev. 08/15
www.allegion.com/us