

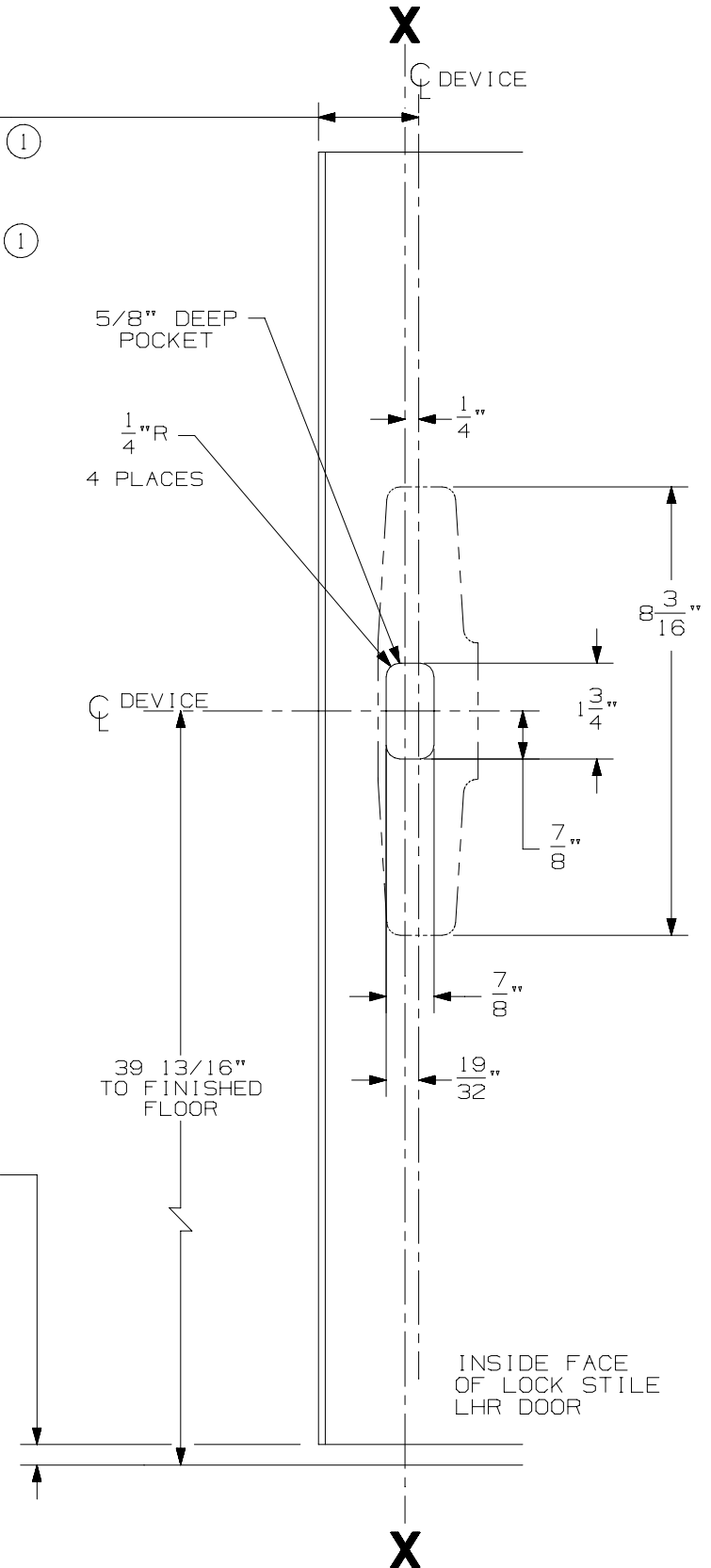
DEVICE INSTALLATION SCHEDULE		
INSTALLATION	BACKSET	STILE WIDTH
TWO VERTICAL ROD DEVICES	1 3/16"	2" TO 2 3/4" **
	1 1/2"	2 3/4" TO 3 3/4"
	1 7/8"	3 3/4" TO 5"
	2 1/2"	5" TO FLUSH
SINGLE DOOR	1 11/32" *	2" TO 2 3/4" **
	1 1/2"	2 3/4" TO 3 3/4"
	1 7/8"	3 3/4" TO 5"
	2 1/2"	5" TO FLUSH
VERTICAL ROD & RIM DEVICE REQUIRES 1609J STRIKE	2 7/32"	3" MIN.
* 1/2" MAXIMUM STOP HEIGHT		

NOTE: BACKSET MAY VARY WHEN USED WITH COORDINATOR DEPENDING ON TYPE USED.

USE OF OUTSIDE TRIM MAY ALTER MINIMUM STILE REQUIREMENT. SEE TRIM TEMPLATE.

** CONSULT FACTORY FOR STILE WIDTHS LESS THAN 2" TO ENSURE PROPER APPLICATION.

①



NOTE: REQUIRED DOOR UNDERCUT IS 1/4" FROM FINISHED FLOOR OR 1/8" FROM THRESHOLD.

GLASS BEAD KIT AVAILABLE WHEN REQUIRED.

NOTE: MOUNTING HOLES TO BE PREPARED AT INSTALLATION ON DOOR.

FOR OUTSIDE TRIM PREPARATION, WHEN REQUIRED, SEE ADDITIONAL TRIM TEMPLATE.

LHR SHOWN
RHR OPPOSITE

33/3527A & 33/3527A-F Series Vertical Rod Device (Wood Door)

VON DUPRIN®

NOTES: SEE MASTER SHEET #10001 FOR SUGGESTED REINFORCING

TEMPLATE
NUMBER:

W10049_a

DATE:
05-28-13