



Wiegand security solution

With AD-400/401 wireless
devices and Brivo Systems



Overview

Schlage AD Series locks seamlessly integrate with Brivo Systems to provide a cost effective and scalable access control solution to meet your security needs.

Brivo Systems, LLC is a SaaS-based security management systems provider for organizations that need to protect buildings and perimeter entry points. Brivo's innovative physical access control and video solutions empower organizations by giving administrators real-time visibility of security events and video in local or remote facilities—anytime, anywhere.

Schlage AD Series locks combine the components typically found around the door, such as the door position switch and the request to exit switch, into one unit which simplifies installation and saves money. And since they are designed to be modular, Schlage AD-Series locks can easily be upgraded in the future to meet your changing security and technology requirements.

The AD Series is available in wireless configurations to suit the requirements of the facility. AD Series wireless locks provide many of the key benefits of a hardwired system including realtime monitoring, audit trails, centralized lockdown and instant access control management. In retrofit applications the Schlage AD Series wireless locks and devices, which eliminate the need to run wires direct to each opening, can help you extend the reach of your access control system.

AD-401 FIPS 201-1 compliant solutions available using FMK readers. Existing AD-400 locks can be upgraded to FIPS Compliant solutions by replacing existing reader with new FMK reader. Please contact Brivo to confirm they will be able to support your FIPS 201 credential format.

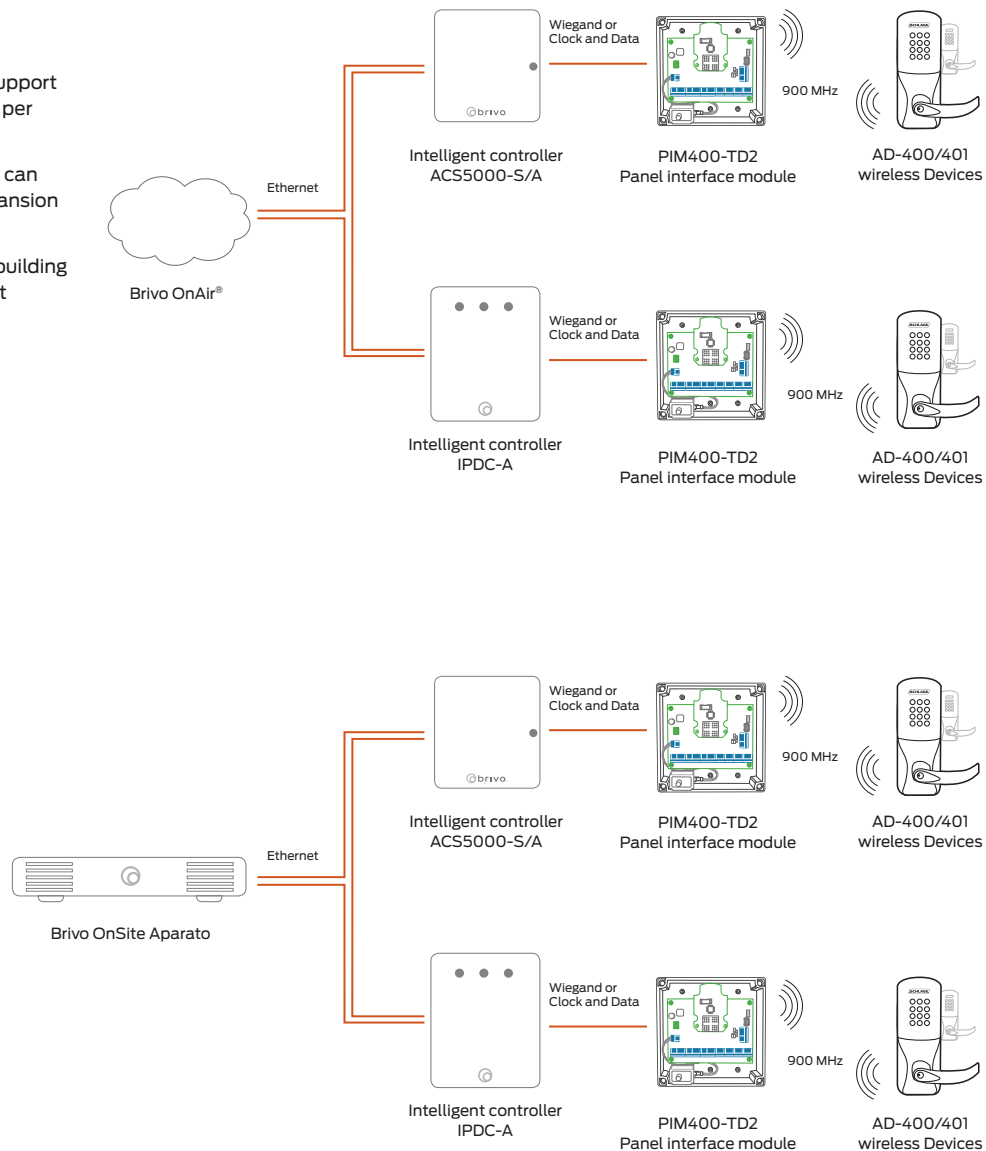
System Capabilities Summary

AD-400 Wireless:

- Communicates to the controller via PIM400-TD2(Wiegand or Clock & Data); supporting up to 2 devices per PIM400-TD2
- Secure 900 MHz wireless communication, AES-128 bit encrypted
- Real time access control and monitoring
- Powered by four (4) standard off-the-shelf AA batteries
- Patent pending wireless lockdown /unlock feature via PIM400-TD2 (10 seconds or less) preserves up to 2 year battery life
- Additional details on readers supported and chassis types available on page 3 and 4
- Weather Resistant, Exterior Operating Temperature: -31° to 151°F (-35° to 66°C)
- Additional wireless products also available
 - Wireless Portable Reader (WPR400) for muster stations, buses, etc.
 - Wireless Reader Interface (WRI400) Eliminate running wires to remote doors, gate, and elevator applications
- ANSI/BHMA A156.25, ANSI/BHMA Grade 1, UL 294, UL 10C

AD-400/401 via Wiegand with Brivo Systems

- Each PIM400-TD2 supports up to 2 AD-400/401 wireless lock
- Each Brivo Systems controller can support up to 30 AD-400/401 wireless locks per ACS5000-E or up to 2 per IPDC-E
- Each Brivo Systems 5000 controller can support up to 30 readers and 14 expansion boards
- Wireless range up to 200' in typical building construction, 1000' clear line of sight



Note:

Please refer to AD-400, AD-401, PIM400-TD2, RLBD data sheets for complete AD Series specifications.

For additional information contact Brivo Systems: 1.866.MY.BRIVO or sales@brivo.com

System capabilities:

	AD-400/401 PIM400-TD2
Features	
Maximum number of readers supported by controllers	30/2
Maximum number of readers per PIM400	2
Maximum number of PIM400s per Wiegand port	1
Access control decision made by host or by lock database	Host
Remote Linking capability via Host	No
Readers - see supported card formats below	
Keypad only	Yes
Magnetic stripe card	Yes
Multi-technology - 125 kHz proximity and 13.56 MHz smart card	Yes
PIV & PIV-I card compatible ¹	Yes ¹
Card + PIN	Yes
Status monitors	
Request to exit	Yes
Door position	Yes
Mechanical key override	No
Request to enter	Yes
Low battery status	Yes
Communication status: RF	No
Remote lockdown/unlock	Yes (<10 sec) ²
Deadbolt position	No
Interior push button	No
Lock functions	
Classroom/storeroom	Yes

Please contact Brivo Systems for additional details on integrated features and credentials supported.

Supported card formats

Proximity cards (125 kHz):

- AWID®
- GE/CASI®
- HID®
- Schlage®
- XceedID®

Smart cards (13.56 MHz):

- aptiQ™ MIFARE Classic
- aptiQ™ MIFARE DESFire™ EV1
- PIV and PIV-I compatible¹

Smart cards (13.56 MHz) - reads card serial number only:

- HID iCLASS®
- DESFire®
- MIFARE®
- MIFARE DESFire™ EV1

¹ FIPS 201 Compliant Option available: The AD-series can be used in applications which require approval by the US federal government under HSPD-12 for FIPS 201 compliance. Specific components are required, please see the AD-401 data sheet for complete details. Contact Brivo to confirm they are able to support your FIPS 201 credential format.

² Wake-up on Radio over PIM400-TD2 on up to 2 doors requires configuration at PIM via HHD

NOTE: Brivo requires support for Reverse 64 bit, 75 and 200 bit applications

Available AD Series reader modules



Multi-technology

- Proximity
- Smart card

KEYPAD

FIPS 201-1 compliant option available (FMK)



Multi-technology

- Proximity
- Smart card



Magnetic stripe (insertion)

KEYPAD



Magnetic stripe (insertion)



Magnetic stripe (swipe)

KEYPAD



Magnetic stripe (swipe)



Keypad



Handheld device (HHD)

Used to initialize, configure, and test AD Series Devices

Compatibility

AD Series electronic locks from Schlage are built from the ground up to provide more options, more functionality and more compatibility than any other solution on the market today. Designed to suite with the most popular lever styles and finishes, Schlage AD Series locks can be configured to accept most major key systems. See lever and cylinder compatibility data sheet (010432).

Mortise Lock (AD-400-MS)



Cylindrical Lock (AD-400-CY)



Exit Device Trim (AD-400-993)



The AD Series exit trims are exclusively compatible with exit devices made by Allegion when using the low current request to exit switch (RX-LC part # 050281 for Von Duprin 98/99 & Von Duprin 22/22F Rim/SVR devices and part number 650359 for Falcon 25 Rim devices).

Lever styles

Standard cylinders shown, SFIC and FSIC also available.



Sparta



Rhodes



Athens



Tubular

Finishes

Warm tone finishes



605
Bright brass



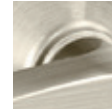
606
Satin brass



612
Satin bronze



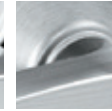
643e
Aged bronze



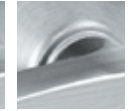
619
Satin nickel



625
Bright chrome



626
Satin chrome



626AM
Satin chrome with antimicrobial

Allegion, the Allegion logo, Schlage, the Schlage logo, Von Duprin, Falcon, and aptiQ are trademarks of Allegion plc, its subsidiaries and/or affiliates in the United States and other countries. All other trademarks are the property of their respective owners.

About Allegion

Allegion (NYSE: ALLE) is a global pioneer in safety and security, with leading brands like CISA®, Interflex®, LCN®, Schlage® and Von Duprin®. Focusing on security around the door and adjacent areas, Allegion produces a range of solutions for homes, businesses, schools and other institutions. Allegion is a \$2 billion company, with products sold in almost 130 countries. For more, visit www.allegion.com.

aptiQ ■ LCN ■ SCHLAGE ■ STEELCRAFT ■ VON DUPRIN



© 2015 Allegion
005629, Rev. 08/15
www.allegion.com/us