



Integrated security solution

with AD-300/301 hardwired and AD-400/401 wireless devices and RS2 Access It!® Universal



Overview

Schlage AD Series electronic locks seamlessly integrate with RS2 Access It!® Universal to provide a cost effective and scalable access control solution to meet your security needs.

Schlage AD Series locks combine the components typically found around the door, such as the door position switch and the request to exit switch, into one unit which simplifies installation and saves money. And since they are designed to be modular, Schlage AD Series locks can easily be upgraded in the future to meet your changing security and technology requirements.

The AD Series is available in both hardwired and wireless configurations to suit the requirements of the facility. AD Series wireless locks provide many of the key benefits of a hardwired system including real-time monitoring, audit trails, centralized lockdown and instant access control management. In retrofit applications the Schlage AD Series wireless locks and devices, which eliminate the need to run wires direct to each opening, can help you extend the reach of your access control system.

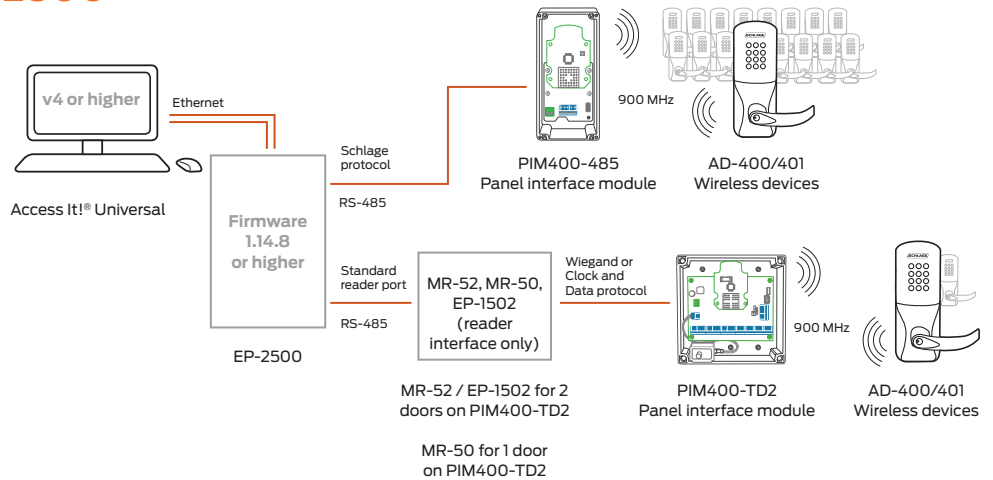
AD-301 and AD-401 FIPS 201-1 compliant solutions available using FMK reader. Existing AD-300 and AD-400 locks can be upgraded to FIPS compliant solutions by replacing existing reader with new FMK reader. Please contact RS2 to confirm they will be able to support your FIPS 201 credential format.

System Capabilities Summary

- AD-400 wireless applications:
 - Secure 900MHz wireless communication, AES-128 encrypted
 - IP addressable PoE PIM400-1501 supports up to 16 AD-400 devices.
 - Real time access control and monitoring
 - Patent-pending wireless lockdown/unlock feature (10 seconds or less) preserves 2 year battery life (4AA Batteries)
- AD-300 hardwired applications:
 - Field configurable fail safe/fail secure
- Additional details on readers supported and chassis types available on page 3 and 4
- Weather resistant, exterior operating temperature: -31° to 151°F (-35° to 66°C)
- AD Series wireless accessories available for remote, gate, elevator, and portable (mustering) applications.
- AD Series meets ANSI/BHMA A156.25, ANSI/BHMA Grade 1 requirements and is UL 294 Listed

AD-400/401 via RS-485 and/or Wiegand with Access It! and EP-2500

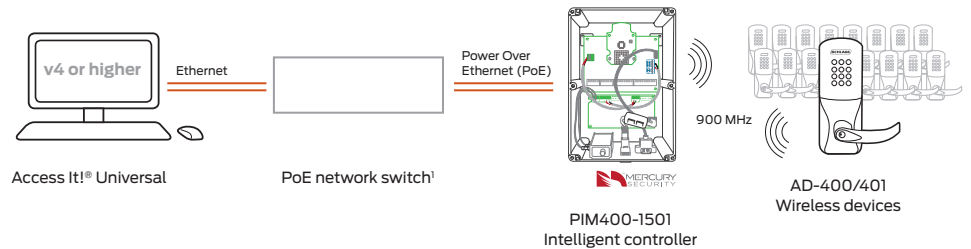
- EP-2500 controllers support up to 64 readers
- EP-1502 controllers (PIM400-TD2 only) support up to 64 wireless devices
- EP-1501 controllers (PIM400-TD2 only) support up to 17 wireless devices
- Each connected PIM400-485 can support up to 16 wireless devices
- Each connected PIM400-TD2 can support up to 2 wireless devices
- Wireless range up to 200' in typical building construction



AD-400/401 via PIM400-1501 with Access It!

- PIM400-1501 controllers support up to 16 AD-400/401s
- Wireless range up to 200' in typical building construction

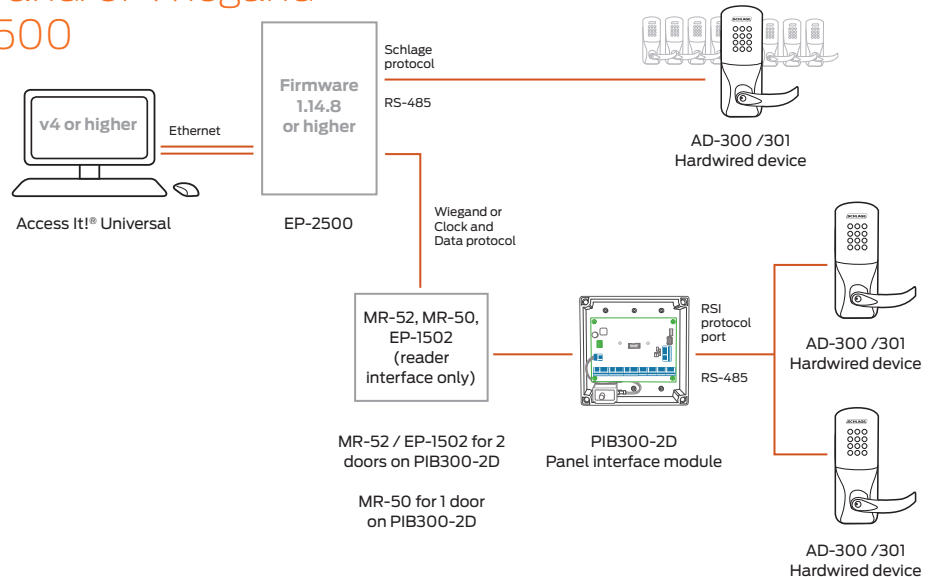
¹ In order to have a UL Listed configuration a UL294 12VDC power supply must be used instead of PoE



AD-300/301 via RS-485 and/or Wiegand with Access It! and EP-2500

- EP-2500 controller support up to 16 AD-300/301s, 8 per RS-485 port.
- EP-2500 controller has 2 RS-485 ports
- EP-1502 controller (PIB300-2D Only) supports up to 64 AD-300/301s
- Each connected PIB300-2D can support up to 2 AD-300-301s

NOTE: Although not specifically shown, the EP-2500 can support both AD-300/301s and AD-400/401s in the same system and on a common port.



Note:

Please refer to AD-300, AD-301, PIB300-2D, AD-400, AD-401, PIM400-485, PIM400-TD2, and Relay Board RLBD data sheets for complete AD Series specifications.

System capabilities:

	AD-400/401 PIM400-485	AD-400/401 PIM400-TD2	AD-400/401 PIM400-1501	AD-300/301 Direct RS485	AD-300/301 PIB300-2D
Features					
Maximum number of readers supported by controller/PIM/PIB	64	64	16	16	2
Maximum number of readers per PIM400/PIB300	16	2	16	N/A	2
Maximum number of PIM400s and/or AD-300s per RS-485 port	Up to 8	up to 2	N/A	Up to 8	Up to 2
Access control decision made by host or by lock database	Host	Host	Host	Host	Host
Remote Linking capability via Host	No	No	No	N/A	N/A
Readers - see supported card formats below					
Keypad only	Yes	Yes	Yes	Yes	Yes
Magnetic stripe card	Yes	Yes	Yes	Yes	Yes
Multi-technology - 125 kHz proximity and 13.56 MHz smart card	Yes	Yes	Yes	Yes	Yes
PIV & PIV-I card compatible ¹	Yes	Yes	Yes	Yes	Yes
Card + PIN	Yes	Yes	Yes	Yes	Yes
Status monitors					
Request to exit	Yes	Yes	Yes	Yes	Yes
Door position	Yes	Yes	Yes	Yes	Yes
Mechanical key override	No	No	No	No	No
Request to enter	No	No	No	No	No
Low battery status	Yes	Yes	Yes	N/A	N/A
Communication status: RF/RS-485	Yes/Yes	Yes/Yes	Yes/Yes	Yes	Yes
Remote lockdown/unlock ²	Yes (<10 sec) ²	Yes (<10 sec) ^{2,3}	Yes (<10 sec) ²	Yes (<10 sec)	Yes (<10 sec)
Deadbolt position	No	No	No	No	No
Interior push button	Yes	No	Yes	Yes	No
Lock functions					
Classroom/storeroom	Yes	Yes	Yes	Yes	Yes

Please contact RS2 Technologies for additional details on integrated features and credentials supported.

Supported card formats

Proximity cards (125 kHz):

- AWID®
- GE/CASI®
- HID®
- Schlage®
- XceedID®

Smart cards (13.56 MHz):

- aptiQ™ MIFARE Classic
- aptiQ™ MIFARE DESFire™ EV1
- PIV and PIV-I compatible¹

Smart cards (13.56 MHz) - reads card serial number only:

- HID iCLASS®
- DESFire®
- MIFARE®
- MIFARE DESFire™ EV1

- 1 FIPS 201 compliant option: The AD Series can be used in application which require approval by the US Federal Government under HSPD-12 for FIPS 201 Compliance. Specific components are required, please see the AD-301 and AD-401 data sheet for complete details. Contact RS2 to confirm they are able to support your FIPS 201-1 credential format.
- 2 For greater than 1 device will be <20 sec.
- 3 Wake-up on Radio over PIM400-TD2 on up to 2 doors requires configuration at PIM via HHD.

Available AD Series reader modules



Multi-technology

- Proximity
- Smart card

KEYPAD

FIPS 201-1 compliant option available (FMK)



Multi-technology

- Proximity
- Smart card



Magnetic stripe (insertion)

KEYPAD



Magnetic stripe (insertion)



Magnetic stripe (swipe)

KEYPAD



Magnetic stripe (swipe)



Keypad



Handheld device (HHD)

Used to initialize, configure, and test AD Series Devices

Compatibility

AD Series electronic locks from Schlage are built from the ground up to provide more options, more functionality and more compatibility than any other solution on the market today. Designed to suite with the most popular lever styles and finishes, Schlage AD Series locks can be configured to accept most major key systems. See lever and cylinder compatibility data sheet (010432).

Mortise Lock (AD-400/AD-300-MS)



Cylindrical Lock (AD-400/AD-300-CY)



Exit Device Trim (AD-300/400-993)



The AD Series exit trims are exclusively compatible with exit devices made by Allegion when using the low current request to exit switch (RX-LC part # 050281 for Von Duprin 98/99 & Von Duprin 22/22F Rim/SVR devices and part number 650359 for Falcon 25 Rim devices).

Lever styles

Standard cylinders shown, SFIC and FSIC also available.



Sparta



Rhodes



Athens



Tubular

Finishes

Warm tone finishes



605 Bright brass



606 Satin brass



612 Satin bronze



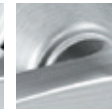
643e Aged bronze



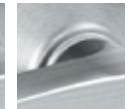
619 Satin nickel



625 Bright chrome



626 Satin chrome



626AM Satin chrome with antimicrobial

Allegion, the Allegion logo, Schlage, the Schlage logo, Von Duprin, Falcon, and aptiQ are trademarks of Allegion plc, its subsidiaries and/or affiliates in the United States and other countries. All other trademarks are the property of their respective owners.

About Allegion

Allegion (NYSE: ALLE) is a global pioneer in safety and security, with leading brands like CISA®, Interflex®, LCN®, Schlage® and Von Duprin®. Focusing on security around the door and adjacent areas, Allegion produces a range of solutions for homes, businesses, schools and other institutions. Allegion is a \$2 billion company, with products sold in almost 130 countries. For more, visit www.allegion.com.

aptiQ ■ LCN ■ SCHLAGE ■ STEELCRAFT ■ VON DUPRIN



© 2015 Allegion
005136, Rev. 08/15
www.allegion.com/us