



Right opening shown



Left opening



2053140

The Smart Corner III is the ideal solution for corner cabinet storage.



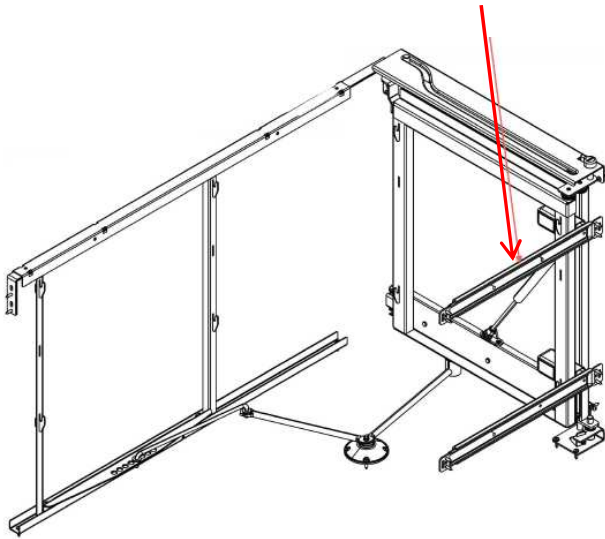
Advantages

- Easy mounting within few minutes
- Wide door brackets giving more door stability.
- These door baskets allows installation of a door up to 600mm (23 5/8") wide.
- Full extension slides with a soft-close mechanism.
- Total weight capacity up to 35kgs (77lbs)
- Adjustment screw for the opening angle.
- Basket hook firmly hold the basket on the frame.
- Set of 4 chrome wire baskets sold separately
- Drilling template included.

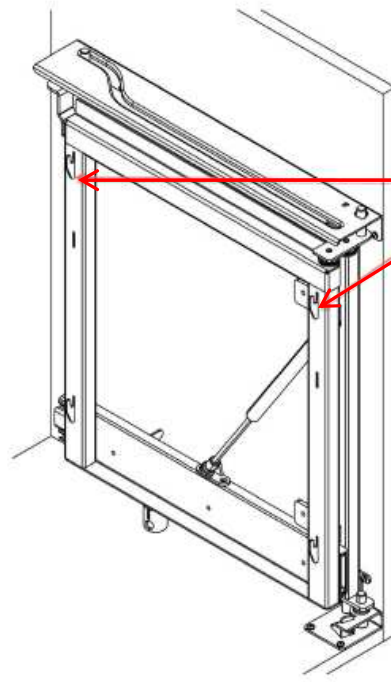
Min. door opening width: min. 410mm (min. 16-1/8")

N° code	Description	Finish	Internal Dimensions required W x D x H
203502100	FRAME SMART CORNER III RGT.	Grey	860 à 1160mm X 505 à 590mm X 655 à 800mm (33 7/8" à 45 11/16") X (19 7/8" à 23 1/4") X (25 3/4" à 31 1/2")
203503100	FRAME SMART CORNER III LFT.	Grey	860mm à 1160mm X 505mm à 590mm X 655mm à 800mm (33 7/8" à 45 11/16") X (19 7/8" à 23 1/4") X (25 3/4" à 31 1/2")
2053140	Set 4 baskets Smart Corner III	Chrome	Front baskets : 457mm x 270mm x 118mm (18" x 10 5/8" x 4 5/8") Rear baskets : 435mm x 410mm x 118mm (17 1/8" x 16 1/8" x 4 5/8")

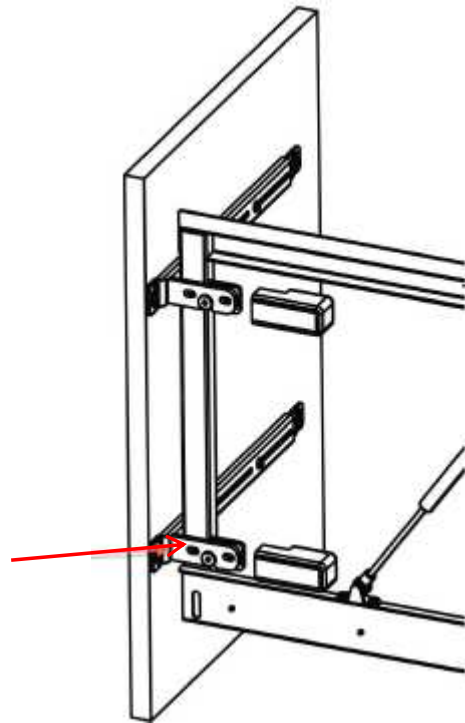
Larger door brackets



Sturdy
baskets
hooks



Easy door
adjustment



Adjustment
screw for
opening angle

