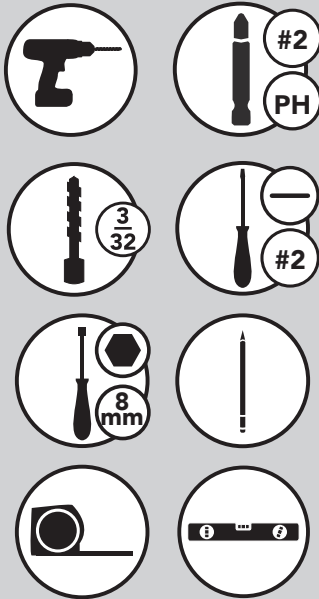


## INSTALLATION INSTRUCTIONS

### REV-A-MOTION® KIT FOR TOP MOUNT WASTE CONTAINERS

#### TOOLS REQUIRED:



#### ESTIMATED ASSEMBLY TIME:

**60 MIN**

#### CARE AND MAINTENANCE:

Clean with a damp cloth and wipe parts dry.

#### INSTALLATION

Faceframe Install pg. 2

Frameless Install pg. 5

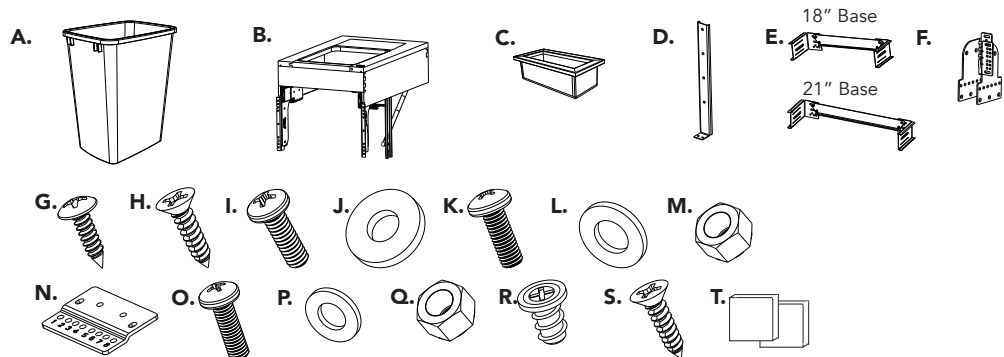
Parts List		
No.	Description	Qty
A	Waste Container	1 or 2*
B	Top Mount Wood Frame*	1
C	Wood Bin**	1
D	Adjustable Foot	1
E	Rear Slide Assembly Strap for 18" and 21" Base	1
F	Left & Right Side Mounting Brackets	2
G	#8 x 5/8" Pan Head Deep Thread Screws	6
H	#6 X 5/8" Flat Head Screws	6
I	#8-32 X 1/2" Phillips Machine Screw	2
J	#8-32 Washer	2
K	M5 X 14mm Pan Head Machine Screw	8
L	M5 Flat Washers	16
M	M5 Nylock Nut	8

Mending Plate Hardware		
No.	Description	Qty
N	Mending Plate	2
O	M5 x 16mm Phillips Machine Screws	8
P	M5 Flat Washers	16
Q	M5 Nylock Nut	8
R	M6.3 x 14mm Euro Washer Head Screws	6

Door Mount Hardware		
No.	Description	Qty
S	#6 x 1/2" Flat Head Screws	6
T	Double Sided Tape	2

\* Appearance may vary depending on model purchased

\*\* Single units only



# FACE FRAME CABINET APPLICATION

## PREPARING UNIT FOR INSTALLATION STEP 1

Remove the gas spring from the unit by placing a flat head screw driver between the metal clip and plastic hub. Gently pry to relieve pressure by popping the clip out, taking care to keep it intact (See Figure 1).



## STEP 2

Release the slides from the frame by extending the slide as shown in Figure 2.1, revealing the trigger. Push the trigger as shown in Figure 2.2 to release the slides.

## ATTACHING THE REAR MOUNTING STRAP STEP 3

**NOTE: If rear cabinet wall is less than 1/2" thick, the use of a furring strip may be necessary (See Figure 3.1).**

Position the rear strap assembly as shown in Figure 3.2. Be sure it's centered on the back wall and elevated so the center slot of each rear socket is positioned 17-15/16" (50 qt. version) or 12-7/8" (35 qt. version) from the cabinet floor (See Figure 3.3).

Fasten the rear strap assembly to the rear cabinet wall using the (4) #8 x 5/8" pan head screws provided. We recommend starting with (2) screws in the center slots in case adjustments are necessary (See Figure 3.4).

**NOTE: Make sure to adjust the rear bracket dimensions accordingly if you are using system holes.**

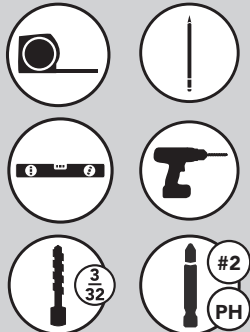


FIGURE 1

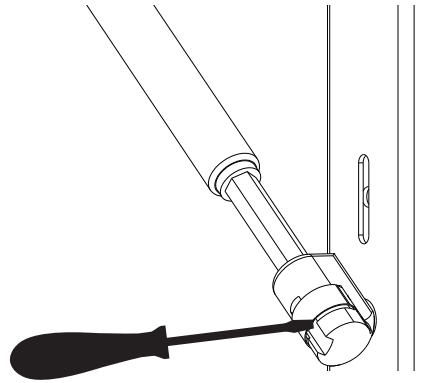


FIGURE 2.1

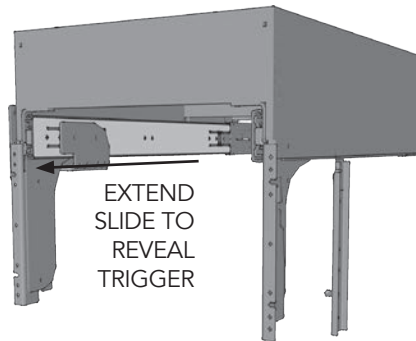


FIGURE 2.2

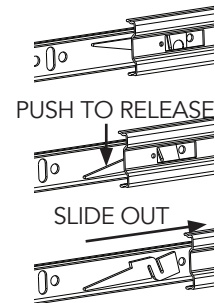


FIGURE 3.1



FIGURE 3.2

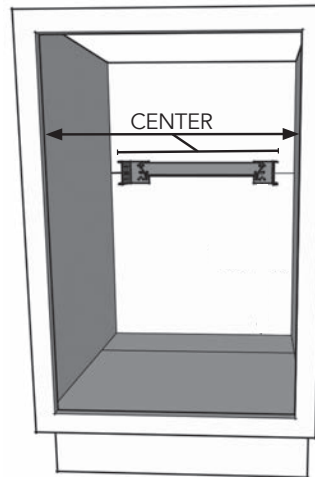


FIGURE 3.3

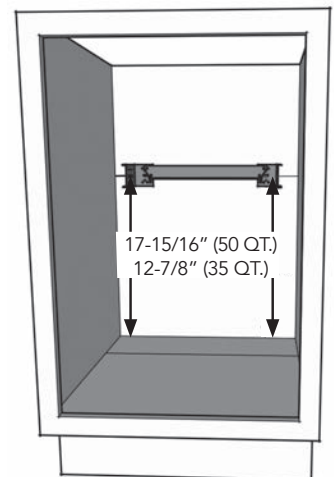
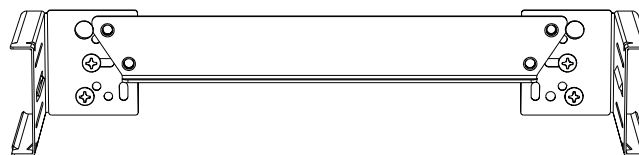


FIGURE 3.4



## ASSEMBLING SIDE MOUNTING BRACKETS STEP 4

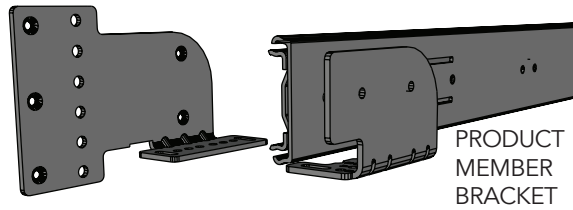
**NOTE:** For Face Frame applications, the product member bracket and the side mounting bracket are needed. The mending plate is only needed for Frameless applications (See Figure 4.1).

Please refer to **Figure 4.2** and the table in **Figure 4.3** for proper order placement of the M5 Nylock nuts, M5 x 14mm screws, and M5 washers.



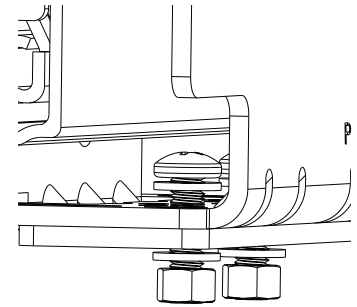
**FIGURE 4.1**

SIDE MOUNTING BRACKET



PRODUCT MEMBER BRACKET

**FIGURE 4.2**



**FIGURE 4.3**

	SIDE MOUNTING BRACKET HOLE LOCATION	PRODUCT MEMBER HOLE LOCATION
1-1/2" FACE FRAME	C	C
1-5/8" FACE FRAME	B	B
1-3/4" FACE FRAME	A	A



### FOR OVERLAY DOORS

THE FRONT EDGE OF THE SIDE MOUNTING BRACKET SHOULD BE FLUSH WITH THE FACE FRAME OF THE CABINET.

### FOR INSET DOORS

USING A SCAB BOARD (MINIMUM DEPTH 6"), FLUSH THE CABINET SIDE WALLS WITH THE BACK OF THE FACE FRAME. THE BACK OF YOUR FACE FRAME IS NOW THE FRONT OF YOUR CABINET (SEE FIG 5.2).



## ATTACHING THE SLIDES TO THE CABINET STEP 5

Locate the bottom of the side mounting bracket and place at 15-3/4" (50 qt. version) or 10-11/16" (35 qt. version) from bottom of the face frame (See **Figure 5.1 & 5.2**).

**NOTE:** Pre-drilling is recommended when drilling into the cabinet face frame to prevent potential wood damages.

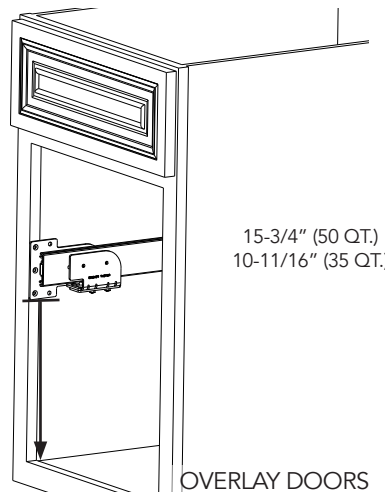


## STEP 6

While supporting the front of the side mounting bracket, engage the back of the slide with the rear strap assembly by sliding it into the outer socket of the assembly. The product member should be pushed into the rear strap assembly until the front of each product member and each side mounting bracket is flush with the front of the face frame. This is a press fit and there will be resistance (See **Fig 6**). Continue to support the front of the slide.

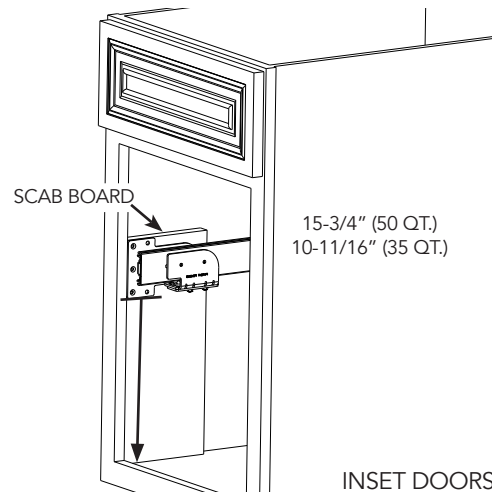
**NOTE:** Do not let it fall as it may damage the rear strap assembly.

**FIGURE 5.1**



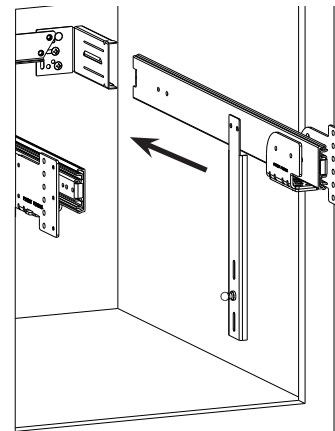
OVERLAY DOORS

**FIGURE 5.2**



INSET DOORS

**FIGURE 6**



### STEP 7

Attach each side mounting bracket to the inside of the face frame using the (6) provided #6 x 5/8" flat head screws (See Fig 7).

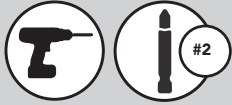
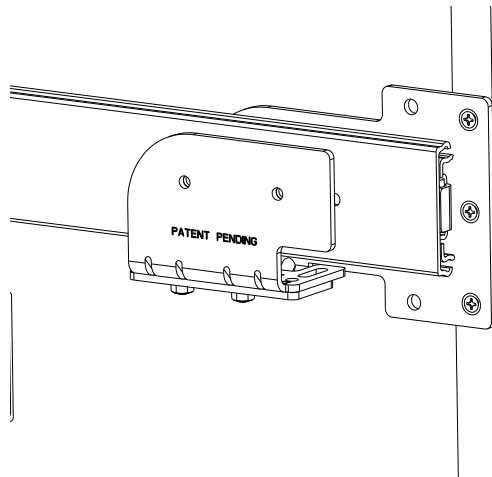


FIGURE 7



### STEP 8

Re-engage the unit into each of the cabinet members, ensuring the slides are aligned properly (See Fig 8). Once engaged, fully cycle the unit a few times to ensure proper slide operation.

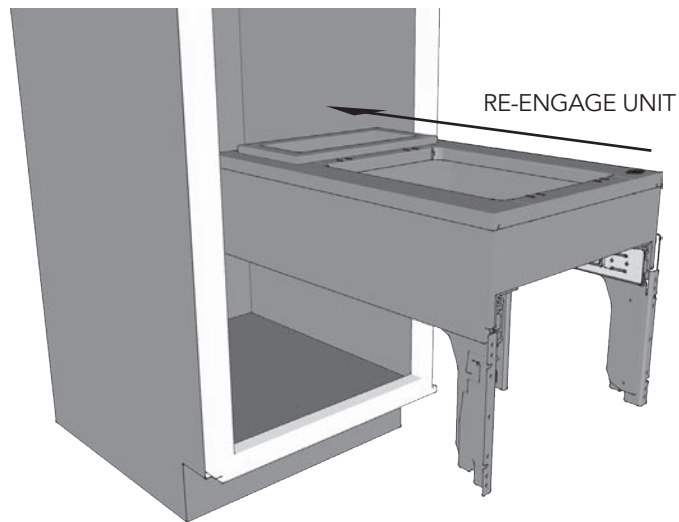


FIGURE 8

### STEP 9

Re-install the gas spring while making sure that the gas reservoir is attached to the top stud as shown in Fig 9. Make sure to install both of the retainer clips into each of the stud caps.

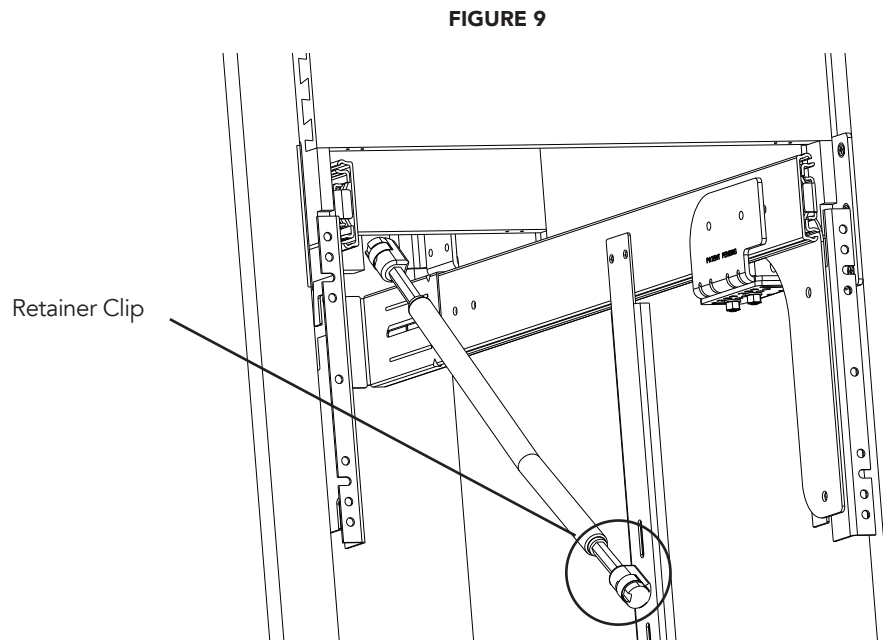


FIGURE 9

### STEP 10

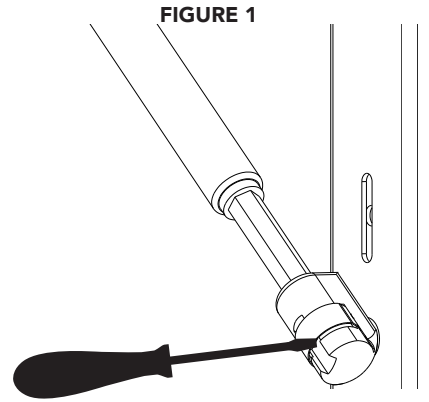
At this time, proceed to page 8 and continue your installation.



# FRAMELESS CABINET APPLICATION

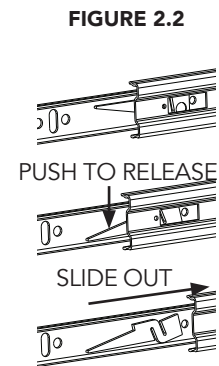
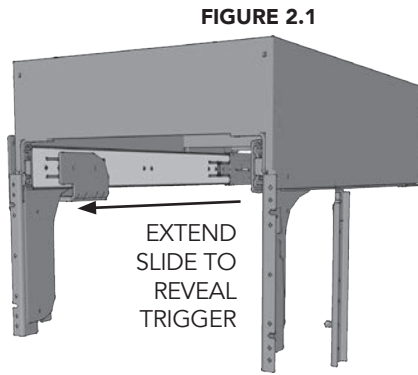
## PREPARING UNIT FOR INSTALLATION STEP 1

Remove the gas spring from the unit by placing a flat head screw driver between the metal clip and plastic hub. Gently pry to relieve pressure by popping the clip out, taking care to keep it intact. (See Figure 1).



## STEP 2

Release the slides from the frame by extending the slide as shown in Figure 2.1, revealing the trigger. Push the trigger as shown in Figure 2.2 to release the slides.



## ATTACHING THE REAR MOUNTING STRAP STEP 3

**NOTE: If rear cabinet wall is less than 1/2" thick, the use of a furring strip may be necessary (See Fig 3.1).**

Position the rear strap assembly as shown in Fig 3.2. Be sure it's centered on the back wall and elevated so the center slot of each rear socket is positioned 17-15/16" (50 qt. version) or 12-7/8" (35 qt. version) from the cabinet floor (See Fig 3.3).

Fasten the rear strap assembly to the rear cabinet wall using the (4) #8 x 5/8" pan head screws provided. We recommend starting with (2) screws in the center slots in case adjustments are necessary.

**NOTE: Make sure to adjust the rear bracket dimensions accordingly if you are using system holes.**

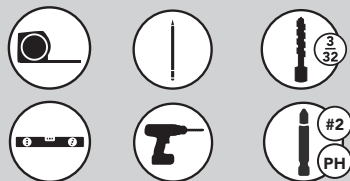


FIGURE 3.1

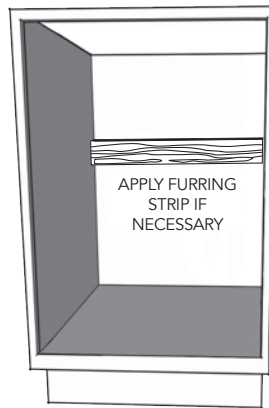


FIGURE 3.2

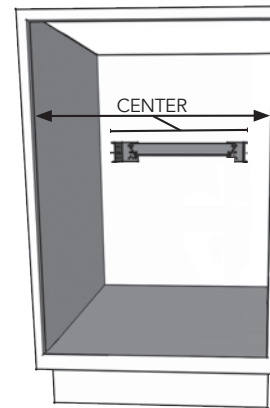


FIGURE 3.3

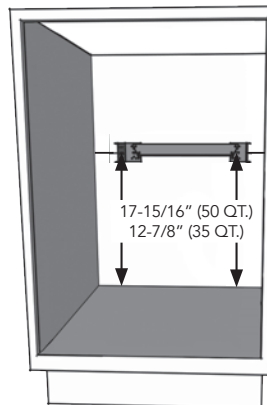
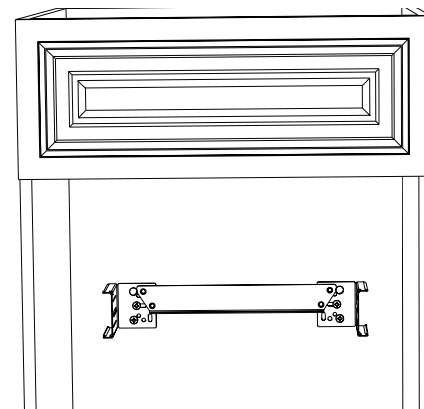


FIGURE 3.4



## ASSEMBLING THE PLATE TO SIDE MOUNTING BRACKETS STEP 4

**NOTE:** For frameless applications, the product member bracket, the side mounting bracket, and mending plate are needed (See Fig 4.1).

Please refer to **Figure 4.2** for the table that shows the proper hole alignment. If the table does not apply to the cabinet in use, the outer slots will provide a fully adjustable option to fit virtually any opening.

Use the M5 hardware provided to attach all of the brackets. See **Figure 4.3** for proper order placement of the M5 Nylock nuts, M5x14mm screws, and M5 washers for a frameless cabinet with 3/4" wall thickness.

The mending plate should go underneath the product member bracket and on top of the side mounting bracket. The numbers on the mending plate should face the floor and favoring the inside of the cabinet.

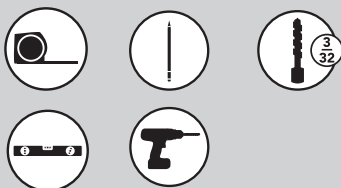


## INSTALLING SIDE MOUNT BRACKETS STEP 5

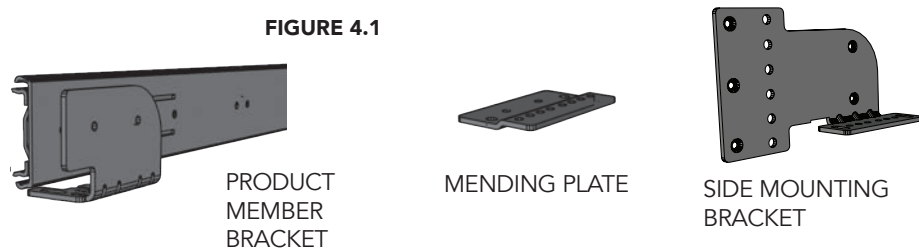
Locate the bottom of the side mounting bracket which is 15-3/4" (50 qt. version) or 10-11/16" (35 qt. version) from the floor (See **Figure 5.1**). The brackets also need to be flush with the front of the cabinet wall.

**NOTE:** If system holes are available, move the bracket up or down to the nearest set of system holes (See **Figure 5.2**). Make sure to adjust the rear bracket dimensions accordingly if you are using system holes.

**NOTE:** Pre-drilling is recommended when drilling into the cabinet to prevent potential wood damages.



**FIGURE 4.1**

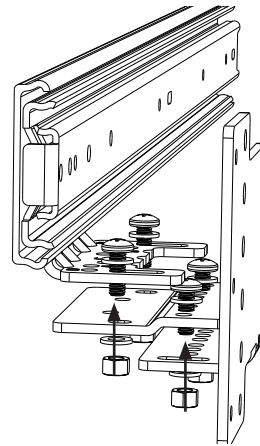


**FIGURE 4.2**

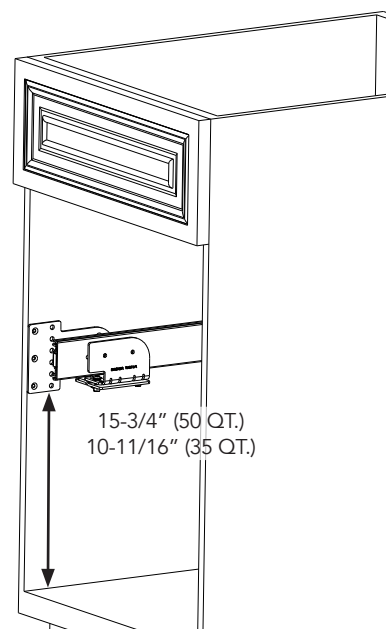
	SIDE MOUNTING BRACKET HOLE LOCATION	PRODUCT MEMBER HOLE LOCATION	RIGHT MENDING PLATE HOLE LOCATION	LEFT MENDING PLATE HOLE LOCATION
FRAMELESS WITH 3/4" WALL	B	A	2 & 5	4 & 7
FRAMELESS WITH .708" (18MM) WALL	B	D	1 & 8	1 & 8
FRAMELESS WITH 5/8" WALL	B	B	3 & 6	3 & 6

**FIGURE 4.3**

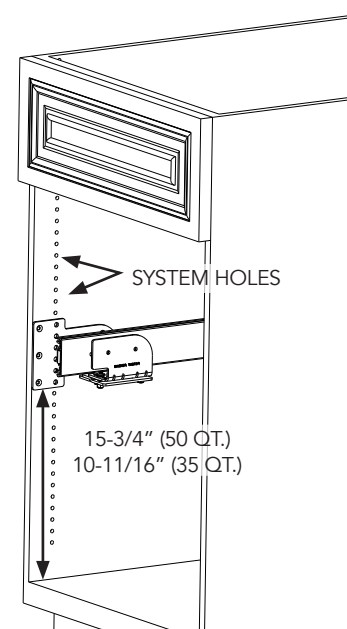
LEFT SLIDE WITH MENDING BRACKET



**FIGURE 5.1**



**FIGURE 5.2**

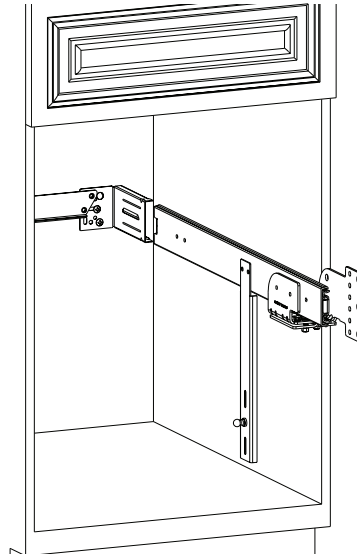


## ATTACHING THE SLIDES TO THE CABINET STEP 6

While supporting the front of the side mounting bracket, engage the back of the slide with the rear strap assembly by sliding it into the outer socket of the assembly. The product member should be pushed into the rear strap assembly until the front of each product member and each side-mounting bracket is flush with the front of the face frame. This is a press fit and there will be resistance (See Fig 6). Continue to support the front of the slide.

**NOTE: Do not let it fall as it may damage the rear strap assembly.**

FIGURE 6



## STEP 7

### Regular wood screw attachment:

Attach each side mounting bracket to the inside of the cabinet using (3) #6 x 5/8" flat head screws. Put the brackets flush with the edge of the cabinet (See Figure 7.1).

**32mm system holes:** If the system holes are available, attach the side mounting bracket to the inside of the cabinet using the (6) M6.3 x 14mm Euro screws into the 32mm system holes. The side mounting brackets should still be flush with the edge of the cabinet (See Figure 7.2).

The (3) #6 x 5/8" screws can also be used for attaching the side mounting brackets, but are not necessary if the 32mm system holes are used.

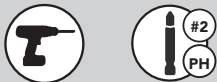


FIGURE 7.1

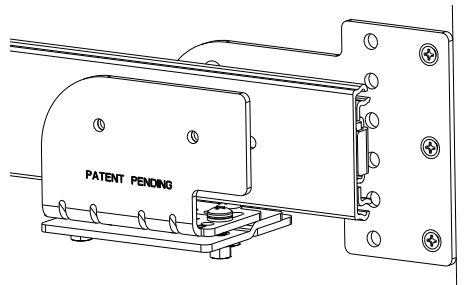


FIGURE 7.2

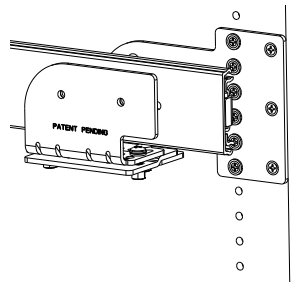


FIGURE 8

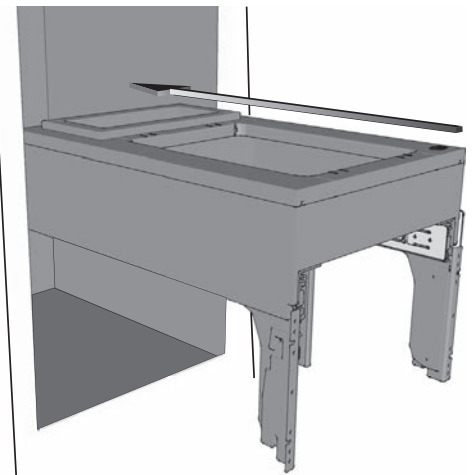


FIGURE 9

## STEP 8

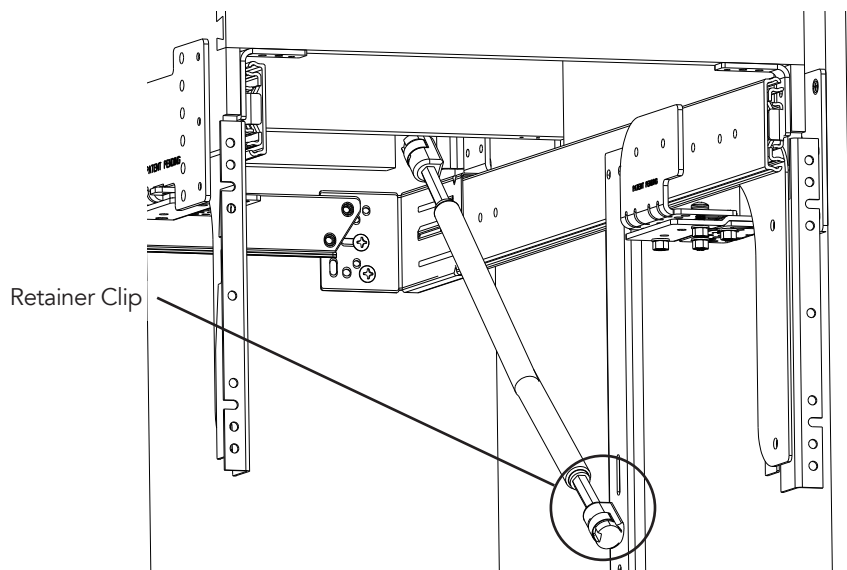
Re-engage the unit into each of the cabinet members, making sure that the slides are aligned properly (See Figure 8). Once engaged, cycle the unit a few times to ensure the slides are operating properly.

## STEP 9

Re-install the gas spring while making sure that the gas reservoir is attached to the top stud as shown in Figure 9. Make sure to install both of the retainer clips into each of the stud caps.

## STEP 10

At this time, proceed to page 8 and continue your installation.



## FINALIZING INSTALLATION OF THE FRAME IN THE CABINET STEP 1

Attach the telescopic foot to the lower stud mount using the #8-32 x 1/2" machine screws and flat washers provided, making sure not to tighten at this time. Lay flush to the floor of the cabinet (See Figure 1). Once the foot is in full contact with the floor of the cabinet, tighten the machine screws from the previous step.

Now attach the foot to the floor of the cabinet using (2) #8 x 5/8 deep thread screws provided (See Figure 2).

**NOTE: Make sure the foot and stud mount are perpendicular to the floor of the cabinet and do not lean left or right (this will cause interference with the gas spring that operates the waste container).**



## ATTACHING THE DOOR STEP 2

Use separate door mount worksheet to attach product to the door.

## TESTING FUNCTIONALITY STEP 3

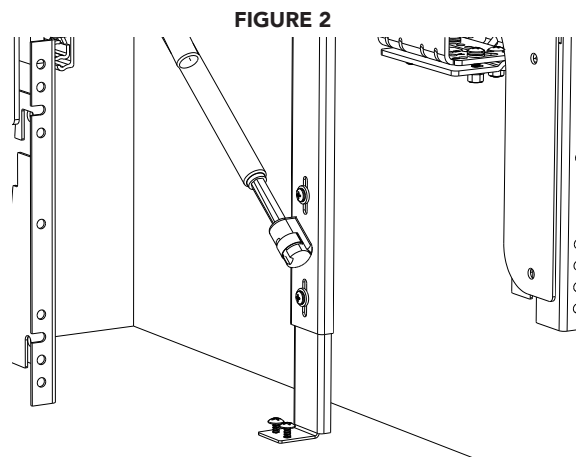
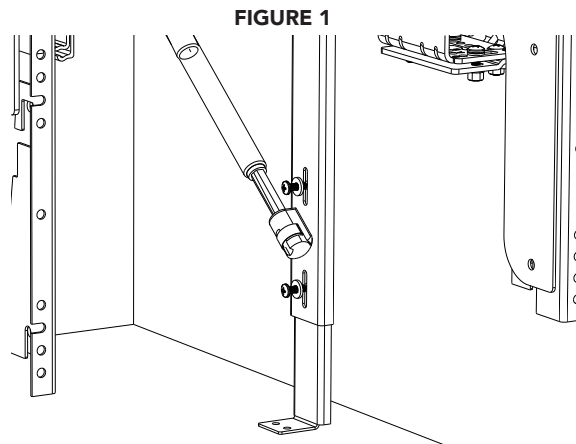
During the first 5-10 cycles extend the frame to the fully open and fully closed positions assisting the entire length of travel. At this point the unit should open/close itself for the last 6-8" of travel.

**NOTE: If the unit is not opening/closing fully or not operating smoothly check the following:**

Make sure that the installation of the front and rear brackets allow the slides to be "square" without binding by measuring corner to corner on the slides with the unit in the open position.

Check that the slides are both level front to back and that they are also level from one slide to the next (laying a level across both slides when waste container is in the open position).

Check that the bottom foot is vertical front to back and left to right.

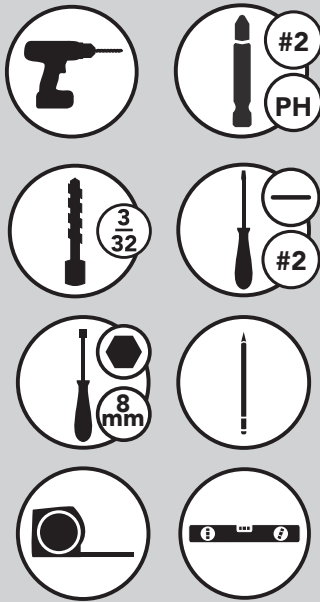


## INSTRUCCIONES DE INSTALACIÓN / LES INSTRUCTIONS D'INSTALLTION

### EQUIPO REV-A-MOTION® PARA RECIPIENTES DE BASURA CON MONTAJE SUPERIOR

### TROUSSE REV-A-MOTION® DE CONTENEURS POUR DÉCHETS À INSTALLATION PAR LA PARTIE SUPÉRIEURE

#### HERRAMIENTAS REQUERIDAS: OUTILS REQUIS:



#### TIEMPO ESTIMADO DE ENSAMBLADO: DUREE ESTIMÉE DE L'ASSEMBLAGE:

# 60 MIN

#### CUIDADO Y MANTENIMIENTO: ENTRETIEN ET MAINTENANCE:

Limpie con un paño húmedo y seque las partes.

Nettoyez avec un linge humide et essuyez les pièces pour les secher complètement.

#### INSTALACIÓN / INSTALLTION

Instalación de marco frontal pg. 2  
Installation avec cadre de face pg. 2

Instalación sin marco pg. 5  
Installation sans cadre pg. 5



#### Ferretería de placa de unión Quincaillerie pour plaque de laiton

No.	Descripción / Description	Qty
N	Placa de Unión / Plaque de laiton	2
O	Tornillos de máquina M5 x 16mm Phillips M5 x 16 mm vis à métal Phillips	8
P	Arandelas planas M5 / M5 rondelles plates	16
Q	Tuerca Nylock M5 M5 écrous autobloquants avec rondelle de nylon	8
R	Tornillos de cabeza de arandela europea M6.3 x 14mm M6.3 x 14 mm vis à tête à embase Euro	6

#### Herrajes para montar en la puerta Quincaillerie pour montage sur porte

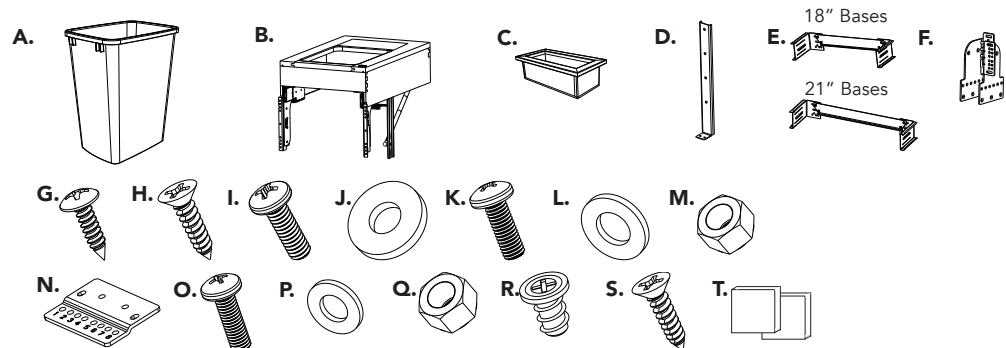
No.	Descripción / Description	Qty
S	Tornillos de cabeza plana #6 x 1/2" #6 x 1/2 po vis à tête plate	6
T	Cinta de doble faz / Ruban adhésif à deux faces	2

#### Lista de piezas / Liste de pièces

No.	Descripción / Description	Qty
A	Recipiente de desechos / Conteneur pour déchets	1 or 2*
B	Marco de madera de montaje superior* Cadre en bois pour montage par la partie supérieure*	1
C	Recipiente de madera** / Bac en bois**	1
D	Pie ajustable / Pied ajustable	1
E	Correa de ensamblaje para corredera trasera para las bases de 18" y 21" Courroie d'assemblage avec glissière arrière pour bases de 18 po et 21 po	1
F	Soportes de montaje izquierdo y derecho Supports de montage latéraux gauche et droite	2
G	Tornillos #8 x 5/8" rosca profunda cabeza redondeada tope plano #8 x 5/8 po vis à tête cylindrique bombée à filetage profond	6
H	Tornillos #6 X 5/8" de cabeza plana / #6 x 5/8 po vis à tête plate	6
I	Tornillos de máquina Phillips #8-32 X 1/2" / #8-32 x 1/2 po vis à métal Phillips	2
J	Arandela #8-32 / #8-32 rondelles	2
K	Tornillos de máquina M5 X 14mm cabeza redondeada tope plano M5 x 14 mm vis à métal à tête cylindrique bombée	8
L	Arandelas planas M5 / M5 rondelles plates	16
M	Tuerca Nylock M5 / M5 écrous autobloquants avec rondelle de nylon	8

\*La apariencia puede variar dependiendo del modelo adquirido / \*L'apparence peut varier en fonction du modèle acheté

\*\* Solo unidades sencillas / \*\* Unités simples seulement



**PREPARACIÓN DE LA UNIDAD PARA LA INSTALACIÓN**  
**PRÉPARATION DE L'UNITÉ POUR L'INSTALLATION**  
**PASO 1 / ÉTAPE 1**

Quite el resorte de gas de la unidad colocando un destornillador de cabeza plana entre el clip de metal y el eje plástico. Haga palanca suavemente para aliviar la presión sacando el clip, teniendo cuidado de mantenerlo intacto (ver Figura 1).

*Retirer le ressort à gaz de l'unité en plaçant un tournevis à tête plate entre la pince de métal et l'embase en plastique. Soulever doucement pour libérer la pression en faisant sortir la pince en s'assurant de la garder intacte (voir figure 1).*

**PASO 2 / ÉTAPE 2**

Libere las correderas del marco extendiendo la corredera como se muestra en la figura 2.1, revelando el gatillo. Empuje el gatillo como se muestra en la figura 2.2 para liberar las correderas.

*Libérer les glissières du cadre en étendant la glissière comme indiqué à la figure 2.1 révélant ainsi le déclencheur. Appuyer sur le déclencheur comme indiqué à la figure 2.2 pour libérer les glissières.*

**FIJAR LA CORREA DE MONTAJE POSTERIOR**  
**FIXER LA COURROIE DE MONTAGE ARRIÈRE**  
**PASO 3 / ÉTAPE 3**

**NOTA:** Si la pared trasera del gabinete tiene menos de 1/2" de espesor, puede ser necesario usar de una tira de listón (ver figura 3.1).

Coloque el montaje de la correa trasera como se muestra en la Figura 3.2. Asegúrese de que está centrado en la pared posterior, y elevado de manera que por lo que la ranura central de cada conector trasero está colocada a 17-15/16" (versión de 50 qt.) o a 12-7/8" (versión de 35 qt.) del piso del gabinete (ver Figura 3.3).

Ajuste el ensamblaje de la correa trasera a la pared trasera del gabinete utilizando los (4) tornillos #8 x 5/8" de cabeza redondeada de tope plano. Recomendamos comenzar con (2) tornillos en las ranuras centrales (ver Figura 3.4).

**NOTA:** Asegúrese de ajustar las dimensiones del marco trasero en consecuencia si está usando los agujeros del sistema.

*REMARQUE :* Si le mur derrière l'armoire et d'une épaisseur inférieure à 1/2 po, l'utilisation d'un tasseau peut être nécessaire (voir figure 3.1).

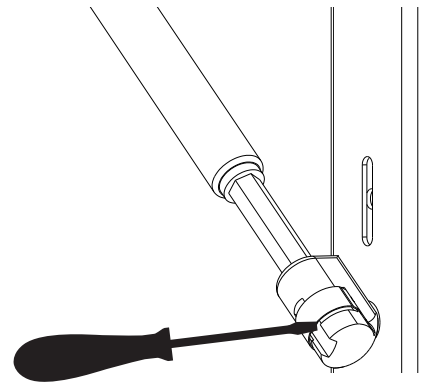
*Positionner l'assemblage de courroie arrière comme illustré à la figure 3.2. S'assurer qu'il est centré sur le mur arrière et élevé de façon à ce que la fente centrale de chaque douille arrière soit positionnée à 17-15/16 po (version 50 qt.) ou 12-7/8 po (version 35 qt.) du plancher de l'armoire (voir figure 3.3).*

*Attacher l'assemblage de la courroie arrière au mur arrière de l'armoire en utilisant les (4) vis à tête cylindrique bombée #8 x 5/8 po fournies. Nous recommandons de commencer avec (2) vis dans les fentes du centre au cas où des ajustements seraient nécessaires (voir figure 3.4).*

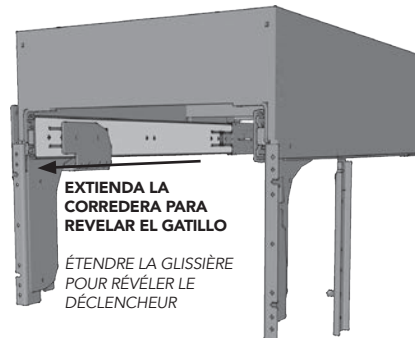
*REMARQUE :* S'assurer d'ajuster les dimensions du support arrière en conséquence si vous utilisez les trous du système.

**APLICACIÓN PARA MARCO FRONTAL DE GABINETE**  
**APPLICATION POUR ARMOIRE AVEC CADRE DE FACE**

**FIGURE 1**



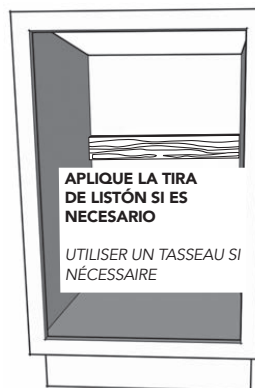
**FIGURE 2.1**



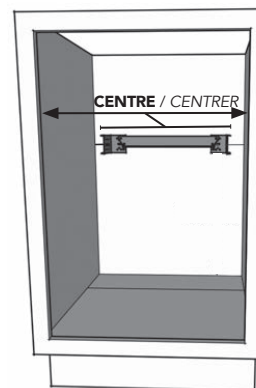
**FIGURE 2.2**



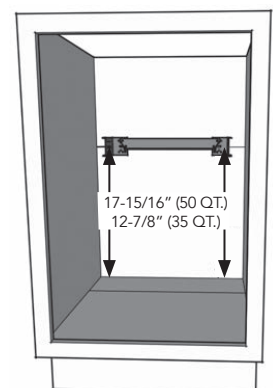
**FIGURE 3.1**



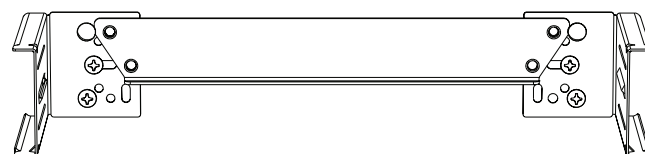
**FIGURE 3.2**



**FIGURE 3.3**



**FIGURE 3.4**





**ENSAMBLAJE DE LOS SOPORTES DE MONTAJE LATERAL**  
**ASSEMBLAGE DES SUPPORTS DE FIXATION LATÉRAUX**  
**PASO 4 / ÉTAPE 4**

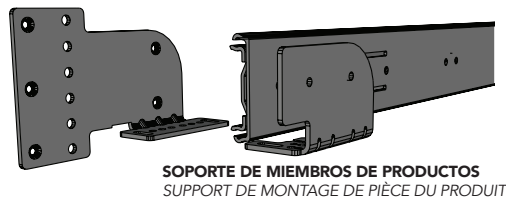
**NOTA:** Para aplicaciones del marco frontal, se necesitan el soporte de miembros de productos y el soporte de montaje lateral. La placa de unión sólo es necesaria para aplicaciones sin marco (ver Figura 4.1).

Consulte la Figura 4.2 y la tabla de la Figura 4.3 para colocar en el orden correcto las tuercas M5 con Nylock, los tornillos M5 x 14mm y las arandelas M5.

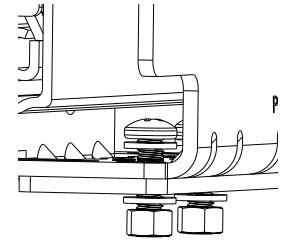
*REMARQUE :* Pour les applications avec cadre de face, la pièce du produit et le support de montage latéral sont requis. La plaque de liaison est requise pour les applications sans cadre (voir figure 4.1).

*Veillez voir la figure 4.2 et le tableau de la figure 4.3 pour connaître l'ordre de positionnement approprié des écrous autobloquants avec rondelle de nylon M5, des vis M5 x 14 mm et des rondelles M5.*

**FIGURE 4.1**  
**SOPORTE DE MONTAJE LATERAL / SUPPORT DE MONTAGE LATÉRAL**



**FIGURE 4.2**



**FIGURE 4.3**

	UBICACIÓN DEL AGUJERO PARA EL SOPORTE DE MONTAJE LATERAL EMPLACEMENT DES TROUS POUR LE SUPPORT DE MONTAGE	UBICACIÓN DEL AGUJERO PARA MIEMBRO DE PRODUCTO EMPLACEMENT DES TROUS DE LA PIÈCE DU PRODUIT
1-1/2" MARCO FRONTAL 1-1/2" CADRE DE FACE	<b>C</b>	<b>C</b>
1-1/2" MARCO FRONTAL 1-1/2" CADRE DE FACE	<b>B</b>	<b>B</b>
1-1/2" MARCO FRONTAL 1-1/2" CADRE DE FACE	<b>A</b>	<b>A</b>



**PARA PUERTAS SUPERPUESTAS: EL BORDE DELANTERO DEL SOPORTE DE MONTAJE LATERAL DEBE QUEDAR AL RAS CON EL MARCO FRONTAL DEL GABINETE.**  
**POUR PORTES À CHEVAUCHEMENT: LA BORDURE AVANT DU SUPPORT DE MONTAGE LATÉRAL DOIT ÊTRE AFFLEURANTE AVEC LE CADRE DE FACE DE L'ARMOIRE.**

**PARA PUERTAS INCRUSTADAS: USANDO UNA TABLA ADICIONAL (PROFUNDIDAD MÍNIMA 6"), COLOQUE AL RAS LAS PAREDES LATERALES DEL GABINETE CON LA PARTE POSTERIOR DEL MARCO FRONTAL. LA PARTE TRASERA DE SU MARCO FRONTAL ES AHORA EL FRENTA DE SU GABINETE (VER FIG. 5.2).**  
**POUR PORTES ENCASTRÉES: EN UTILISANT UNE PLAQUE D'ASSEMBLAGE (ÉPAISSEUR MINIMALE DE 6 PO), FAIRE AFFLEURER LES MURS LATÉRAUX DE L'ARMOIRE AVEC L'ARRIÈRE DU CADRE DE FACE. L'ARRIÈRE DE VOTRE CADRE DE FACE EST MAINTENANT L'AVANT DE VOTRE ARMOIRE (VOIR FIGURE 5.2).**



**FIJAR LAS CORREDERAS AL GABINETE**  
**FIXER LES GLISSIÈRES À L'ARMOIRE**  
**PASO 5 / ÉTAPE 5**

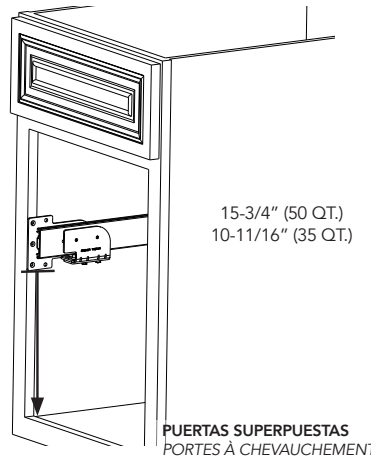
Localice la parte inferior del soporte de montaje lateral y colóquelo a 15-3/4" (versión de 50 qt.) o 10-11/16" (versión de 35 qt.) de la parte inferior del marco frontal (Ver Figuras 5.1 y 5.2).

**NOTA:** Se recomienda hacer previamente agujeros guía al taladrar el marco frontal del gabinete para evitar posibles daños a la madera.

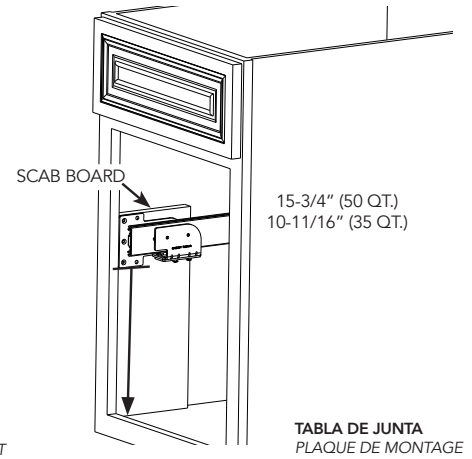
*Localiser le bas du support de montage latéral et positionner à 15-3/4 po (version 50 qt.) ou à 10-11/16 po (version 35 qt.) du bas du cadre de face (voir figures 5.1 et 5.2).*

*REMARQUE :* Perforer les trous au préalable est recommandé dans le cas de trous effectués dans le cadre de face afin d'éviter des dommages potentiels au bois.

**FIGURE 5.1**



**FIGURE 5.2**



**PASO 6 / ÉTAPE 6**

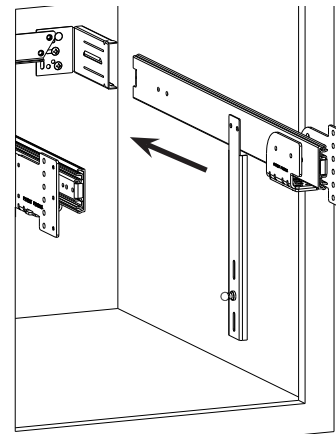
Mientras sostiene el frente del marco de montaje lateral, enganche la parte posterior de la corredera con el ensamblaje de la correa trasera, deslizando en el zócalo exterior del ensamblaje. El miembro del producto debe empujarse en el montaje de la correa trasera hasta que el frente de cada miembro de producto y cada soporte de montaje lateral quede al ras con la parte delantera del marco frontal. Este ajuste es a presión y habrá resistencia (ver Fig. 6). Continúe apoyando la parte delantera de la corredera.

**NOTA:** No lo deje caer porque puede dañar el montaje de la correa trasera.

*En soutenant l'avant du support de montage latéral, engager l'arrière de la glissière avec l'assemblage de la courroie arrière dans la douille externe de l'assemblage. La pièce du produit doit être poussée dans l'assemblage de la courroie arrière jusqu'à ce que l'avant de chaque pièce du produit et chaque support de montage latéral soit affleurant avec l'avant du cadre de face. Il s'agit d'un ajustement par pression et il y aura une résistance (voir fig. 6). Continuer à soutenir l'avant de la glissière.*

*REMARQUE :* Ne pas laisser tomber afin de ne pas endommager l'assemblage de la courroie arrière.

**FIGURE 6**



### PASO 7 / ÉTAPE 7

Fije cada soporte de montaje lateral al interior del marco frontal usando los (6) tornillos de cabeza plana #6 x 5/8" (ver Fig. 7).

Fixer chaque support de montage latéral à l'intérieur du cadre de face en utilisant (6) vis à tête plate #6 x 5/8 po fournies (voir fig. 7).

### PASO 8 / ÉTAPE 8

Vuelva a enganchar la unidad en cada uno de los miembros del gabinete, asegurando que las correderas estén alineadas correctamente (vea la Fig. 8). Una vez enganchada, haga varios ciclos completos de la unidad para asegurar el correcto funcionamiento de la corredera.

Réengager l'unité dans chaque pièce de l'armoire en s'assurant que les glissières sont alignées correctement (voir fig. 8). Une fois l'unité engagée, faire glisser l'unité quelques fois en aller-retour afin de vérifier le bon fonctionnement de la glissière.

### PASO 9 / ÉTAPE 9

Vuelva a instalar el resorte de gas, asegurándose que el depósito de gas está conectado a la viga superior como se muestra en la Fig. 9. Asegúrese de instalar ambos de clips de retención en cada una de las tapas de los postes.

Réinstaller le ressort à gaz en s'assurant que le réservoir de gaz est fixé au crampon supérieur comme indiqué à la fig. 9. S'assurer d'installer les deux pinces de rétention dans tous les capuchons des crampons.

### PREPARAR LA UNIDAD PARA LA INSTALACIÓN PRÉPARATION DE L'UNITÉ POUR L'INSTALLATION PASO 1 / ÉTAPE 1

Quite el resorte de gas de la unidad colocando un destornillador de cabeza plana entre el clip de metal y el eje plástico. Haga palanca suavemente para aliviar la presión, sacando el clip y teniendo cuidado de mantenerlo intacto (ver Figura 1).

Retirer le ressort à gaz de l'unité en plaçant un tournevis à tête plate entre la pince de métal et l'embase en plastique. Soulever doucement pour libérer la pression en faisant sortir la pince en s'assurant de la garder intacte (voir figure 1).

### PASO 2 / ÉTAPE 2

Libere las correderas del marco extendiendo la corredera como se muestra en la figura 2.1, revelando el gatillo. Empuje el gatillo como se muestra en la figura 2.2 para liberar las correderas.

Libérer les glissières du cadre en étendant la glissière comme indiqué à la figure 2.1 révélant ainsi le déclencheur. Appuyer sur le déclencheur comme indiqué à la figure 2.2 pour libérer les glissières.

FIGURE 7

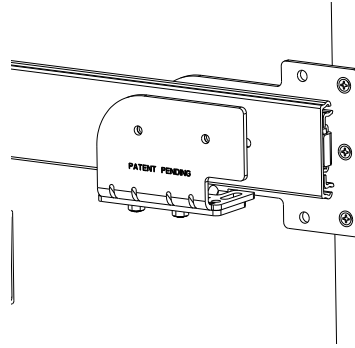


FIGURE 8

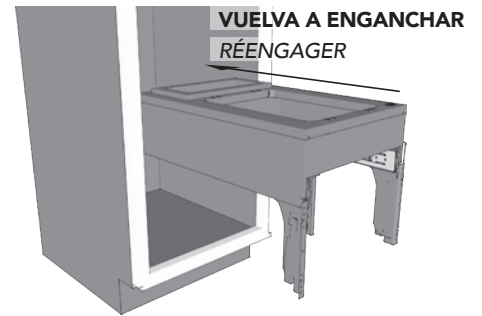
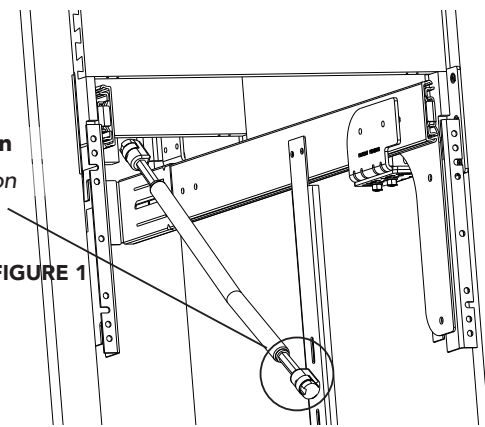


FIGURE 9

Clips de retención  
Pinces de rétention

FIGURE 1



### APLICACIÓN EN GABINETE SIN MARCO APPLICATION D'ARMOIRE SANS CADRE

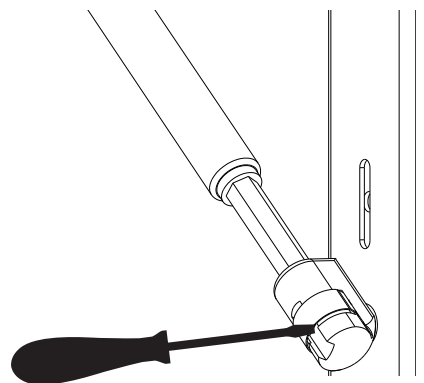


FIGURE 2.1

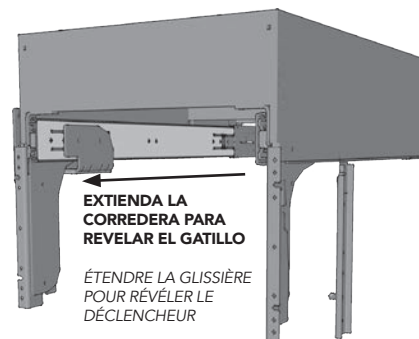


FIGURE 2.2



**FIJAR LA CORREA DE MONTAJE TRASERA**  
**FIXER LA COURROIE POUR MONTAGE ARRIÈRE**  
**PASO 3 / ÉTAPE 3**

**NOTA:** Si la pared trasera del gabinete tiene menos de 1/2" de espesor, puede ser necesario usar de una tira de listón (ver Fig. 3.1).

Coloque el montaje de la correa trasera como se muestra en la Fig. 3.2. Asegúrese de que está centrado en la pared posterior, y elevado de manera que por lo que la ranura central de cada conector trasero está colocada a 17-15/16" (versión de 50 qt.) o a 12-7/8" (versión de 35 qt.) del piso del gabinete (ver Fig. 3.3).

Ajuste el ensamblaje de la correa trasera a la pared trasera del gabinete utilizando los (4) tornillos #8 x 5/8" de cabeza redondeada de tope plano. Recomendamos comenzar con (2) tornillos en las ranuras centrales en caso de que sea necesario hacer ajustes.

**NOTA:** Asegúrese de ajustar las dimensiones del marco trasero en consecuencia si está usando los agujeros del sistema.

*REMARQUE :* Si le mur arrière de l'armoire est d'une épaisseur de moins de 1/2 po, l'utilisation d'un tasseau peut être nécessaire (voir fig. 3.1).

Positionner l'assemblage de courroie arrière comme illustré à la figure 3.2. S'assurer qu'il est centré sur le mur arrière et élevé de façon à ce que la fente centrale de chaque douille arrière soit positionnée à 17-15/16 po (version 50 qt.) ou 12-7/8 po (version 35 qt.) du plancher de l'armoire (voir figure 3.3).

Attacher l'assemblage de la courroie arrière au mur arrière de l'armoire en utilisant les (4) vis à tête cylindrique bombée #8 x 5/8 po fournies. Nous recommandons de commencer avec (2) vis dans les fentes du centre au cas où des ajustements seraient nécessaires (voir figure 3.4).

*REMARQUE :* S'assurer d'ajuster les dimensions du support arrière en conséquence si vous utilisez les trous du système.

**ENSAMBLAJE DE LA PLACA A LOS SOPORTES DE MONTAJE LATERAL**  
**ASSEMBLAGE DE LA PLAQUE AUX SUPPORTS DE MONTAGE LATÉRAUX**  
**PASO 4 / ÉTAPE 4**

**NOTA:** Para aplicaciones sin marcos, son necesarios el soporte de miembros de producto, el soporte de montaje lateral y la placa de unión (ver Fig. 4.1).

Consulte la Figura 4.2 para ver la tabla que muestra la alineación correcta de los orificios. Si la tabla no aplica para el gabinete que está en uso, las ranuras exteriores ofrecerán una opción completamente ajustable que cabrá en casi cualquier abertura.

Utilice los herrajes M5 provistos para conectar todos los soportes. Consulte la Figura 4.3 para ver la colocación adecuada de las tuercas M5 Nylock, de los tornillos M5x14mm y las arandelas M5 para gabinete sin marco con pared de 3/4" de espesor.

La placa de unión debe ir debajo del soporte de miembros de producto y sobre el soporte de montaje lateral. Los números que aparecen en la placa de unión deben quedar de cara al piso y favoreciendo el interior del gabinete.

*REMARQUE :* Pour les applications sans cadre, le support de montage de la pièce du produit et une plaque de laiton sont requis (voir figure 4.1).

Veuillez voir la figure 4.2 et le tableau qui indique l'alignement approprié des trous. Si le tableau ne s'applique pas à l'armoire utilisée, les fentes externes offrent une option entièrement ajustable pour pratiquement n'importe quelle ouverture.

Utiliser la quincaillerie M5 fournie pour fixer tous les supports de montage. Voir la figure 4.3 pour connaître l'ordre de positionnement approprié des écrous autobloquants, des vis M5 x 14 mm et des rondelles M5 pour une armoire sans cadre et une épaisseur de mur de 3/4 po.

La plaque de laiton doit être placée sous le support de montage de la pièce du produit et sur le support de montage de la glissière. Les chiffres sur la plaque de laiton doivent faire face au plancher et être orientés vers l'intérieur de l'armoire.

FIGURE 3.1



FIGURE 3.2

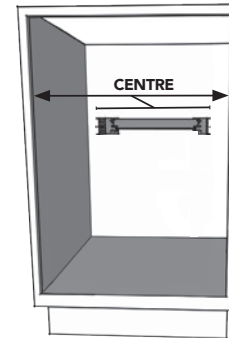


FIGURE 3.3

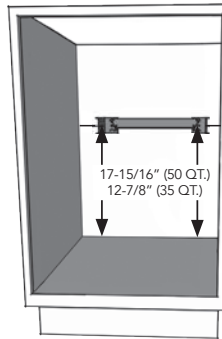


FIGURE 3.4

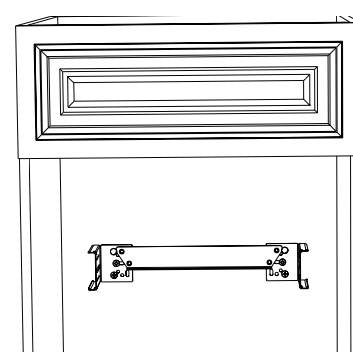


FIGURE 4.1

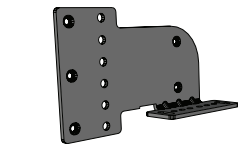


SOPORTE DE MIEMBROS DE PRODUCTO

SUPPORT DE MONTAGE DE LA PIÈCE DU PRODUIT



PLACA DE UNIÓN  
PLAQUE DE LAITON



SOPORTE DE MONTAJE LATERAL  
SUPPORT DE MONTAGE LATÉRAL

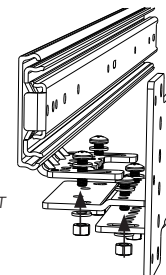
FIGURE 4.2

	UBICACIÓN DEL AGUJERO PARA EL SOPORTE DE MONTAJE LATERAL EMPLACEMENT DES TROUS DU SUPPORT DE MONTAGE LATÉRAL EMPLACEMENT	UBICACIÓN DEL AGUJERO PARA MIEMBRO DE PRODUCTO DES TROUS DU SUPPORT DE MONTAGE	UBICACIÓN DEL AGUJERO DE LA PLACA DE UNIÓN DERECHA EMPLACEMENT DES TROUS DE LA PLAQUE DE LAITON DE DROITE	UBICACIÓN DEL AGUJERO DE LA PLACA DE UNIÓN IZQUIERDA EMPLACEMENT DES TROUS DE LA PLAQUE DE LAITON DE GAUCHE
SIN MARCO CON PARED DE 3/4" SANS CADRE AVEC MUR DE 3/4 po	B	A	2 & 5	4 & 7
SIN MARCO CON PARED DE 18mm SANS CADRE AVEC MUR DE 0,708 po D'ÉPAISSEUR	B	D	1 & 8	1 & 8
SIN MARCO CON PARED DE 5/8" SANS CADRE AVEC MUR DE 5/8 po	B	B	3 & 6	3 & 6

FIGURE 4.3

CORREDERA IZQUIERDA CON SOPORTE DE UNIÓN

GLISSIÈRE GAUCHE AVEC SUPPORT DE MONTAGE EN LAITON



**INSTALACIÓN DE SOPORTES DE MONTAJE LATERAL**  
**INSTALLATION DES SUPPORTS DE MONTAGE LATÉRAUX**  
**PASO 5 / ÉTAPE 5**

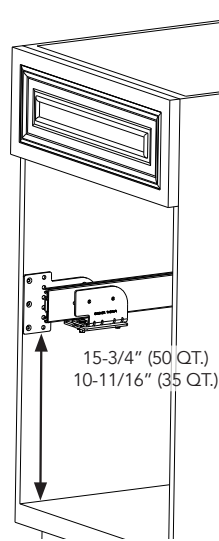
Localice la parte inferior del soporte de montaje lateral, el cual está a 15-3/4" (versión de 50 qt.) o 10-11/16" (versión de 35 qt.) del suelo (ver Figura 5.1). Los soportes también deben estar al ras con la parte frontal de la pared del gabinete.

**NOTA:** Si hay agujeros del sistema disponibles, mueva el soporte hacia arriba o hacia abajo para ajustarse al conjunto más cercano de agujeros del sistema (ver Figura 5.2). Asegúrese de ajustar las dimensiones del soporte trasero de manera adecuada si está usando los agujeros del sistema.

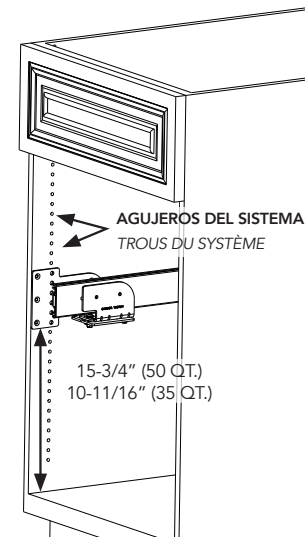
Localiser le bas du support de montage latéral qui est de 15-3/4 po (version 50 qt.) ou de 10-11/16 po (version 35 qt.) du plancher (voir figure 5.1). Les supports de montage doivent aussi être affleurants avec l'avant du mur de l'armoire.

**REMARQUE :** Si des trous de système sont disponibles, déplacer les supports de montage vers le haut ou vers le bas vers l'ensemble de trous du système le plus près (voir figure 5.2). S'assurer d'ajuster les dimensions du support de montage arrière en conséquence si vous utilisez les trous du système.

**FIGURE 5.1**



**FIGURE 5.2**



**FIJAR LAS CORREDERAS AL GABINETE**  
**FIXER LES GLISSIÈRES À L'ARMOIRE**  
**PASO 6 / ÉTAPE 6**

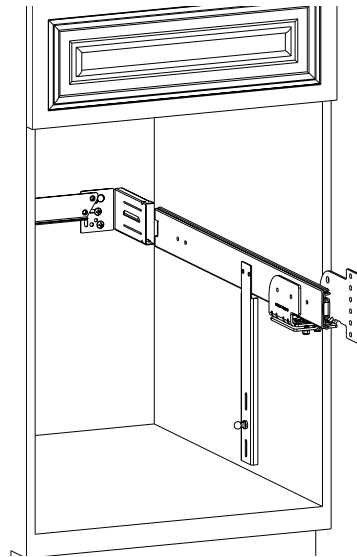
Mientras sostiene el frente del marco de montaje lateral, enganche la parte posterior de la corredera con el ensamblaje de la correa trasera, deslizándola en el zócalo exterior del ensamblaje. El miembro del producto debe empujarse en el montaje de la correa trasera hasta que el frente de cada miembro de producto y cada soporte de montaje lateral quede al ras con la parte delantera del marco frontal. Este ajuste es a presión y habrá resistencia (ver Fig. 6). Continúe apoyando la parte delantera de la corredera.

**NOTA:** No lo deje caer porque puede dañar el montaje de la correa trasera.

En soutenant l'avant du support de montage latéral, engager l'arrière de la glissière avec l'assemblage de la courroie arrière en le glissant dans la douille externe de l'assemblage. La pièce du produit doit être poussée dans l'assemblage de la courroie arrière jusqu'à ce que l'avant de chaque pièce du produit et chaque support de montage latéral soit affleurant avec l'avant du cadre de face. Il s'agit d'un ajustement par pression et il y aura une résistance (voir fig. 6). Continuer à soutenir l'avant de la glissière.

**REMARQUE :** Ne pas laisser tomber afin de ne pas endommager l'assemblage de la courroie arrière.

**FIGURE 6**



## PASO 7 / ÉTAPE 7

**Fijar los tornillos normales para madera:** Fije cada soporte de montaje lateral al interior del marco frontal usando los (3) tornillos de cabeza plana #6 x 5/8". Ponga los soportes al ras con el borde del gabinete (ver Figura 7.1).

**NOTA:** Se recomienda hacer previamente agujeros guía al taladrar el gabinete para evitar posibles daños a la madera.

**Agujeros de sistema de 32mm:** Si los agujeros del sistema están disponibles, fije el soporte de montaje lateral al interior del gabinete usando los (6) tornillos tipo europeo M6.3 x 14mm en los agujeros del sistema de 32mm. Los soportes de montaje lateral deben aún quedar al ras con el borde del gabinete (ver figura 7.2).

**Los (3) tornillos #6 x 5/8" pueden utilizarse también para fijar los soportes de montaje laterales, pero no son necesarios si se utilizan los orificios del sistema de 32mm.**

*Fixation standard avec vis à bois : fixer chaque côté du support de montage à l'intérieur de l'armoire en utilisant (3) vis à tête plate #6 x 5/8 po. Positionner les supports de montage de façon à ce qu'ils soient affleurants avec la bordure de l'armoire (voir figure 7.1).*

*REMARQUE : Perforer les trous au préalable est recommandé dans le cas de trous effectués dans le cadre de face afin d'éviter des dommages potentiels au bois.*

*Trous du système de 32 mm : si des trous du système sont disponibles, fixer le côté du support de montage sur l'intérieur de l'armoire en utilisant les (6) vis Euro M6.3 x 14 mm dans les trous du système 32 mm. Les supports de montage latéraux doivent être affleurants avec la bordure de l'armoire (voir figure 7.2).*

*Les (3) vis #6 x 5/8 po peuvent aussi être utilisés pour fixer les supports de montage latéraux, mais ne sont pas nécessaires si les trous du système de 32 mm sont utilisés.*

FIGURE 7.1

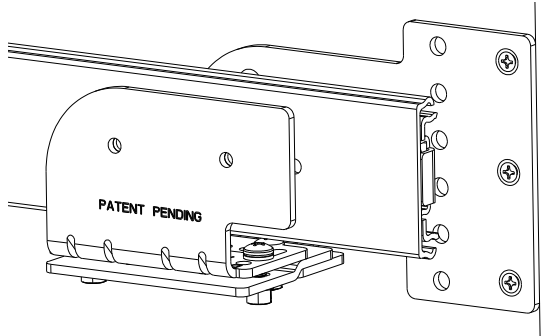


FIGURE 7.2

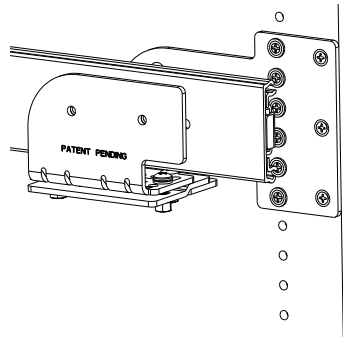
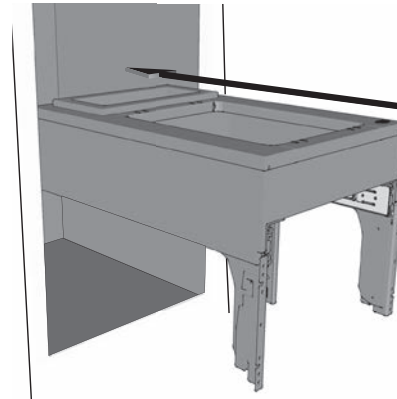


FIGURE 8



## PASO 8 / ÉTAPE 8

**Vuelva a enganchar la unidad en cada uno de los miembros del gabinete, asegurando que las correderas estén alineadas correctamente (vea la Fig. 8). Una vez enganchada, haga varios ciclos de la unidad para asegurar el correcto funcionamiento de las correderas.**

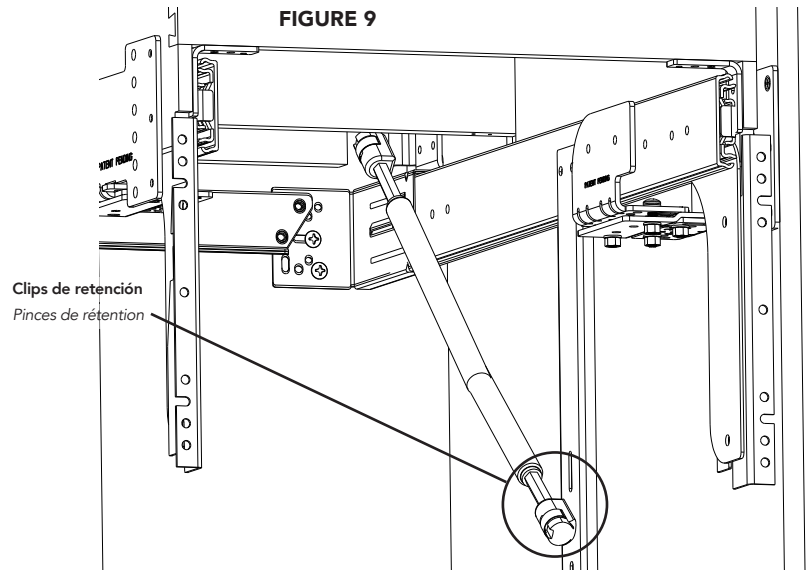
*Réengager l'unité dans chaque pièce de l'armoire en s'assurant que les glissières sont alignées correctement (voir fig. 8). Une fois l'unité engagée, faire glisser l'unité quelques fois en aller-retour afin de vérifier le bon fonctionnement des glissières.*

## PASO 9 / ÉTAPE 9

**Vuelva a instalar el resorte de gas, asegurándose que el depósito de gas está conectado a la viga superior como se muestra en la Figura 9. Asegúrese de instalar ambos de clips de retención en cada una de las tapas de los postes.**

*Réinstaller le ressort à gaz en s'assurant que le réservoir de gaz est fixé au crampon supérieur comme indiqué à la fig. 9. S'assurer d'installer les deux pinces de rétention dans tous les capuchons des crampons.*

FIGURE 9





**FINALIZACIÓN DE LA INSTALACIÓN DEL MARCO EN EL GABINETE**  
**FINALISATION DE L'INSTALLATION DU CADRE DANS L'ARMOIRE**  
**PASO 1 / ÉTAPE 1**

Fije el pie telescópico a la barra superior de montura usando los tornillos de máquina #8-32 x 1/2" y las arandelas planas provistas, asegurándose de no apretarlos en este momento. Ponga al ras con el piso del gabinete (ver Figura 1). Una vez que el pie esté en contacto total con el piso del gabinete, apriete los tornillos de máquina del paso anterior.

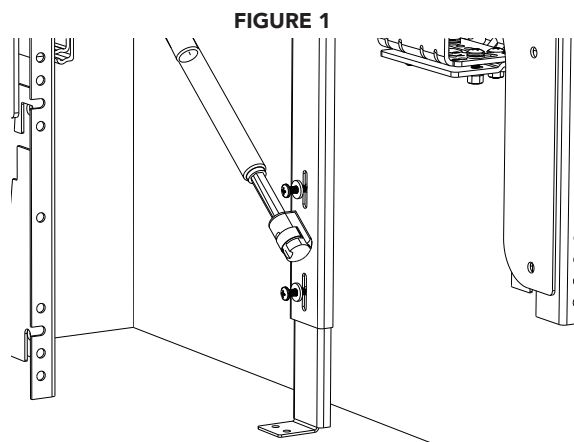
Ahora fije el pie al suelo del gabinete usando (2) tornillos #8 x 5/8 de rosca profunda (ver Figura 2).

**NOTA:** Asegúrese de que el pie y la barra de montura estén perpendiculares al piso del gabinete y no se inclinen a la izquierda ni a la derecha (esto ocasionaría interferencia con el resorte de gas que opera el recipiente de desechos).

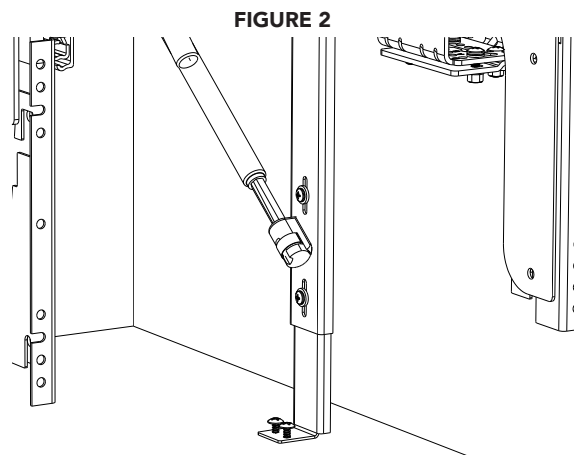
*Fixer le pied télescopique au support avec crampon inférieur en utilisant les vis à métal de #8-32 x 1/2 po et les rondelles plates fournies en s'assurant ne pas serrer à ce stade. Positionner de façon à ce qu'il soit affleurant avec le plancher de l'armoire (voir figure 1). Une fois le pied en contact complet avec le plancher de l'armoire, serrer les vis à métal de l'étape précédente.*

*Fixer maintenant le pied au plancher de l'armoire en utilisant les (2) vis à tête cylindrique bombée à filetage profond #8 x 5/8 fournies (voir figure 2).*

**REMARQUE :** S'assurer que le pied et le support avec crampon sont perpendiculaires au plancher de l'armoire et ne penchent pas vers la gauche ou vers la droite (cela causera de l'interférence avec le ressort à gaz qui fait fonctionner le conteneur à déchets).



**FIGURE 1**



**FIGURE 2**

**COLOCAR LA PUERTA / FIXER LA PORTE**  
**PASO 2 / ÉTAPE 2**

Utilice la hoja de instrucciones de montaje de puerta, aparte, para fijar el producto a la puerta.

*Utiliser la feuille de travail séparée du support de montage de la porte pour fixer le produit à la pièce.*

**PROBAR LA FUNCIONALIDAD**  
**TEST DE FONCTIONNALITÉ**  
**PASO 3 / ÉTAPE 3**

Durante los primeros 5-10 ciclos, extienda el marco hasta la posición completamente abierta y completamente cerrada, utilizando todo el desplazamiento. Para este momento, la unidad debe abrirse/cerrarse sola a lo largo de las últimas 6-8" del desplazamiento.

**NOTA:** Si la unidad no se abre y cierra completamente o no funciona suavemente, realice las siguientes comprobaciones:  
 -Asegúrese de que la instalación de los soportes traseros y delanteros permita que las correderas queden "cuadradas" sin fijación, midiendo de esquina a esquina las correderas con la unidad en la posición abierta.  
 -Compruebe que las correderas estén tanto niveladas de adelante hacia atrás como entre una corredera y la otra (colocando un nivel entre ambas correderas cuando el recipiente esté en la posición de abierto).  
 Compruebe que el pie inferior esté vertical, tanto de adelante hacia atrás como de izquierda a derecha.

*Au cours des 5 à 10 premiers cycles, étendre le cadre à la position entièrement ouverte et entièrement fermée en aidant à parcourir toute la distance de course. À ce stade, l'unité devrait s'ouvrir/se fermer automatiquement pour les 6 à 8 derniers pouces de la course.*

**REMARQUE :** Si l'unité ne s'ouvre pas/ne se ferme pas complètement ou ne fonctionne pas de façon fluide, vérifier les éléments suivants :  
 - S'assurer que l'installation des supports de montage avant et arrière permettent aux glissières d'être « d'équerre » sans se joindre en mesurant d'un coin à l'autre sur les glissières avec l'unité en position ouverte.  
 - Vérifier que les deux glissières sont de niveau de l'avant à l'arrière et qu'elles sont aussi de niveau d'une glissière vers la suivante (en plaçant un niveau sur les deux glissières à la fois pendant que le conteneur est en position ouverte).  
 Vérifier que le pied du bas est vertical de l'avant vers l'arrière et de la gauche vers la droite.