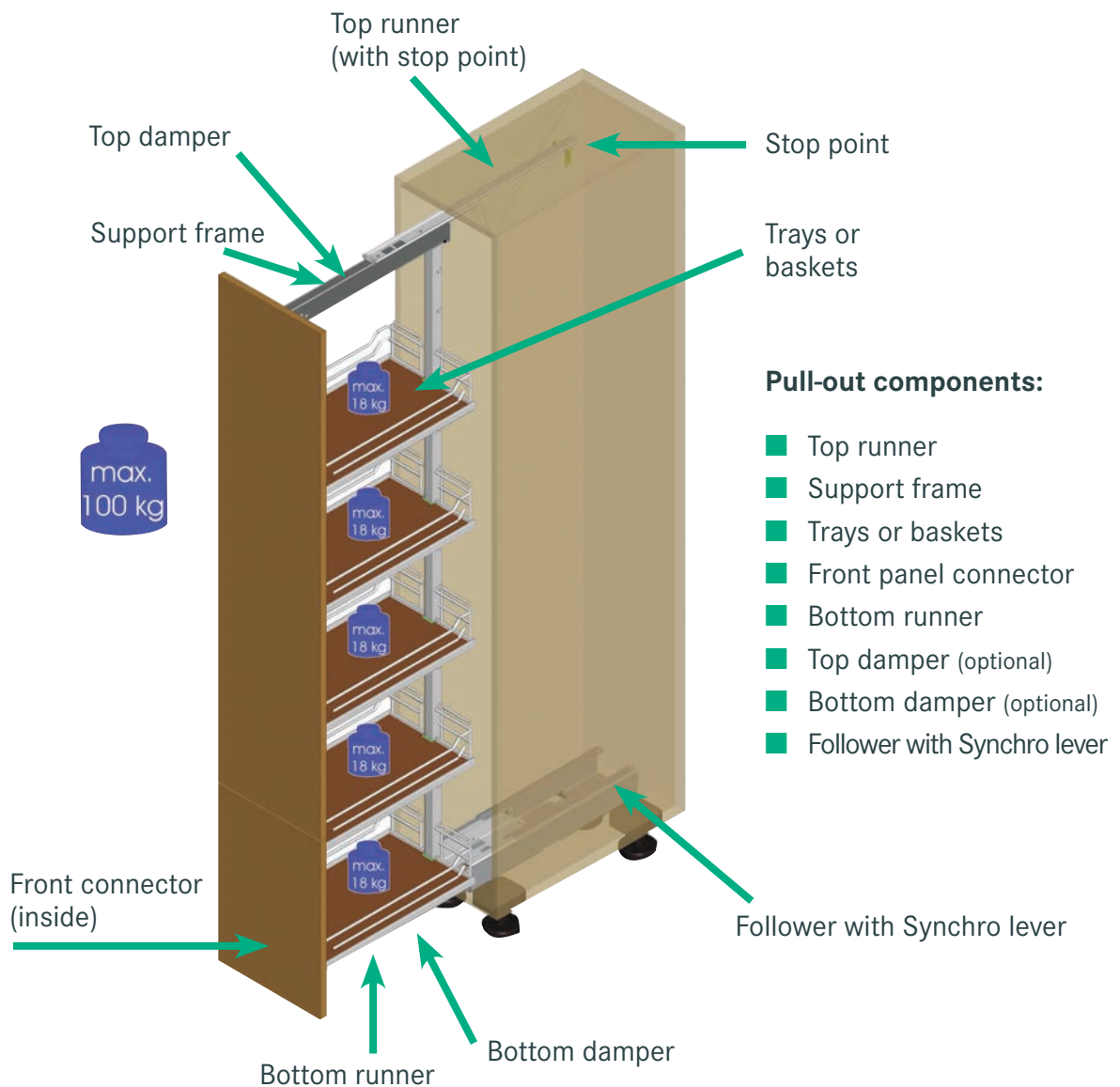


HANDLING INSTRUCTIONS for DISPENSA VVS-x



Problem	Possible cause	Possible solution (summary)	Full information
1. Door will not close completely	1. Shifted segment; Synchromatic defective.	Replace follower with Synchro lever.	1.1
	2. Bottom runner dirty.	Clean the runner. (No oil!)	1.2
	3. Connection between support frame and bottom runner is loose.	Check the connection between the frame and the bottom runner and tighten if necessary.	1.3
	4. Bottom damper is unlatched.	Push the front panel against the cabinet until you hear the damper mechanism engage.	1.4
	5. Are the screws tight? Are you using the correct screws?	1. Tighten screws. 2. Use the correct screws.	1.5
	6. Are the top/bottom runners correctly positioned?	Position top/bottom runners correctly.	1.6
	7. Has the cabinet been assembled correctly? a) Is it vertical and level? (b) Is the fifth foot correctly positioned for cabinet widths >40 cm?	(a) Align the cupboard so it is plumb and level. (b) Position fifth foot correctly and adjust until cabinet is level.	1.7 1.7 (a) 1.7 (b)
2. Pull-out makes a noise during opening and closing	1. Bottom runner dirty.	Clean the runner.	2.1
	2. Is fifth foot correctly positioned for cabinet widths >40 cm?	Install and adjust fifth foot.	2.2
3. No soft close damping (with option installed)	1. Is the top damper installed?	Install the damper.	3.1
	2. Is the top damper locked in place?	Push the damper forward until it locks in place.	3.2

1. Pull-out will not close completely

1.1 Shifted segment: Synchromatic defective



For Synchromatic to work correctly, all components must be present and correctly installed.

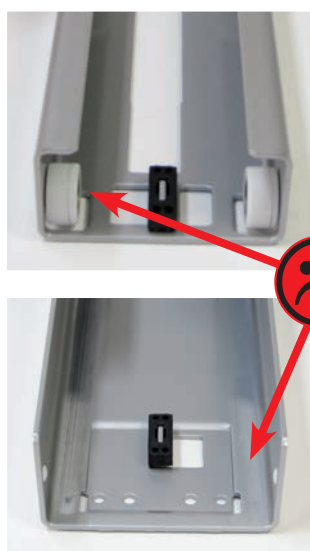
1.2 Bottom runner dirty (due to dirt, foreign particles, lubricant)?



Clean rollers and running surfaces!

There must be no dirt on the bottom runner, especially the base element: Wipe dry dirt off with a dry cloth. If there is oil or grease on the runner, you will need to clean the whole element (running surfaces, roller surfaces and rollers), e.g. with glass cleaner. The runner may need to be replaced.

Never use oil or other lubricants on the segments!

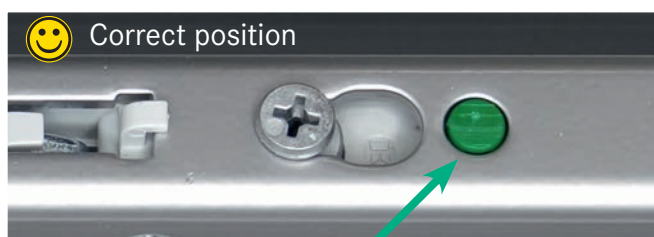


1.3 Faulty connection between the pull-out frame and bottom runner

Check that the pull-out frame is correctly positioned on the bottom runner!



Incorrect position



Correct position

Locking pin



1. Do not use a cordless screwdriver!

2. The green locking pin must click into position and be fully visible.

1.4 Bottom damper (optional) unlatched

If the bottom damper is in the wrong position, reactivate the function by pushing the front panel against the cabinet until you hear the mechanism engage. Alternatively, push the damper mechanism manually back into position.

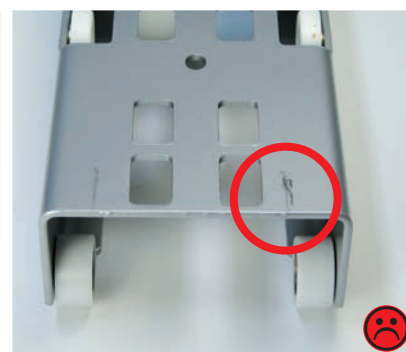


Incorrect position



Correct position

1.5 Are the screws tight? Are you using the correct screws?

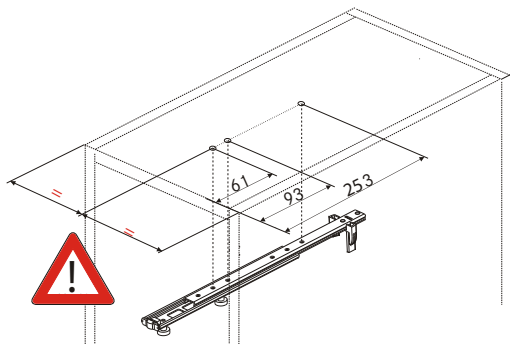


1. Do not overtighten the screws!

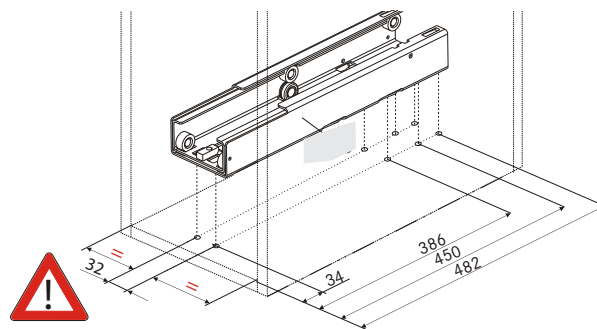
2. The screws used must not come into contact with the middle slide!

3. The screws must be straight and firmly tightened (check the middle slide for signs of wear!)

1.6 Are the runners mounted parallel (i.e. drilling positions correct)?

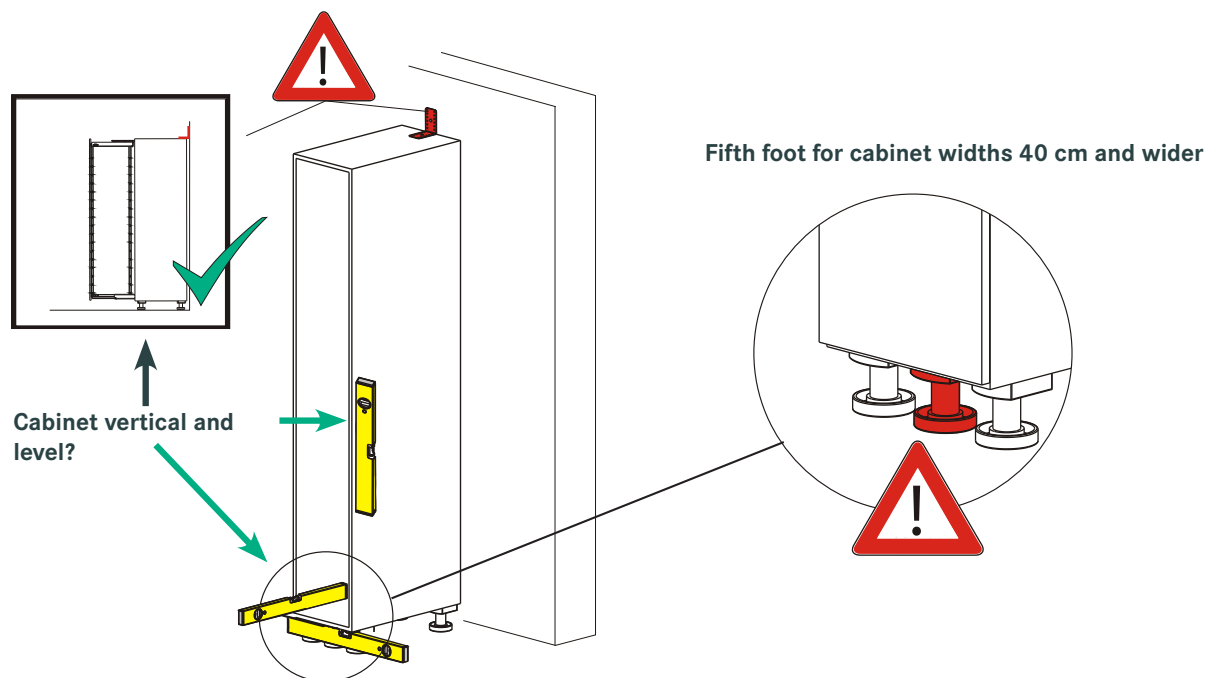


Top runner parallel to side panel?



Bottom runner parallel to side panel?

1.7 Has the cabinet been assembled properly?



a) Is the cabinet vertical and level?



1. The side panels must be straight and vertical.
2. The bottom panel must be horizontal.
3. The cabinet must be fixed securely to the wall.

Fifth foot correctly installed for cabinets 40 cm and wider?

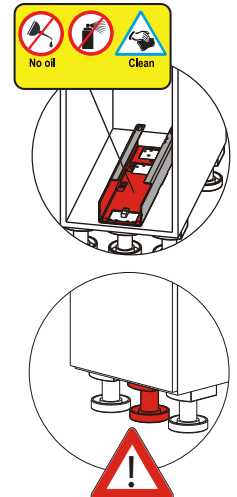
For cabinets 40 cm and wider, check that the fifth foot is positioned centre front and has been correctly adjusted/tightened. If the foot is not correctly installed, the bottom panel may sag, causing problems with closing.

2. Pull-out makes a (creaking) noise during opening and closing

2.1 Bottom runner dirty (due to dirt, foreign particles, lubricant)?

Wipe dry dirt off with a dry cloth. If there is oil or grease on the runner, you will need to clean the whole element (running surfaces, roller surfaces and rollers), e.g. with glass cleaner. The runner may need to be replaced.

Never use oil or other lubricants on the segments!

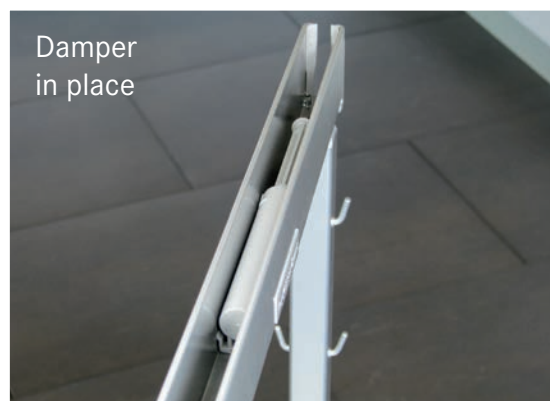
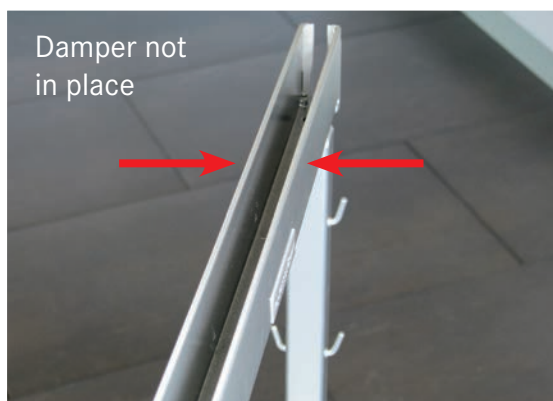


2.2 Fifth foot for cabinets 40 cm and wider?

For cabinets 40 cm and wider, check that the fifth foot is positioned centre front and has been correctly adjusted/tightened. If the foot is not correctly installed, the bottom panel may sag, causing noisy closing.

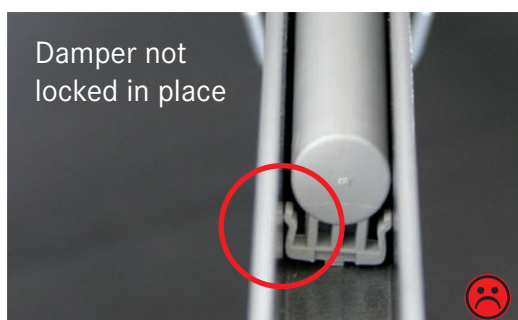
3. Soft close damping not working (option installed)

3.1 Is the top damper in place?



A damper can be ordered from the furniture manufacturer. Install it in the frame so that it locks in position.

3.2 Is the top damper locked in place?



Move damper until it locks in place!

