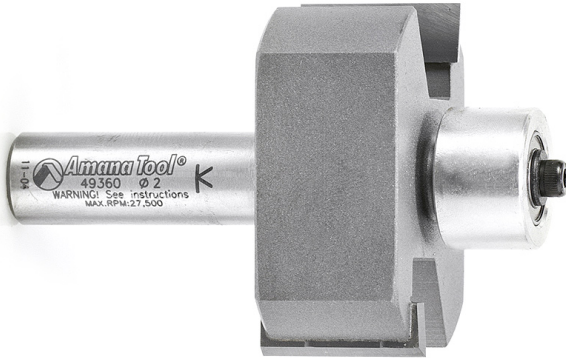


Superabbet Router Bit 49360



Tool No.49360

| | |
|--------------------|-----------|
| Diameter (D) | 2 |
| Cutting Height (B) | 7/8 |
| Shank (d) | 1/2 |
| Overall Length (L) | 3 |
| Flutes | 2 |
| C | 5/8 & 3/4 |

