



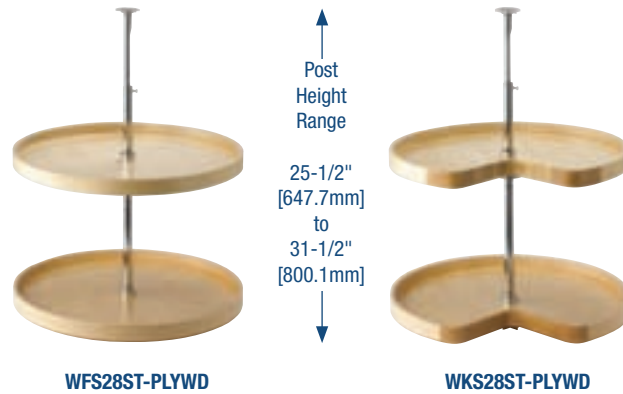
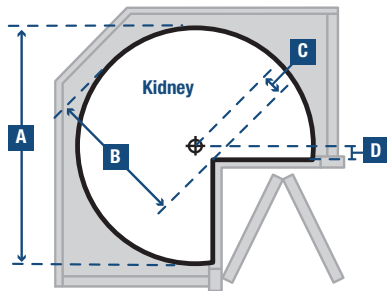
WFS28ST-PLYWD



WKS28ST-PLYWD

Wood Full-Round & Kidney-Shaped Lazy Susans

- 1/2" thick multi-ply shelf with UV-cured clear coat finish and 1" rim
- Standard pack includes two shelves, one post, installation template and hardware



Stock #	Diameter					Weight Limit per Shelf	Finish	Units per Carton	Weight per Carton
	A	B	C	D					
FULL-ROUND									
WFS18ST-PLYWD	18"	-	-	-		31 lbs. [14.2 kg.]	Wood	1	12.7 lbs. [5.8 kg.]
WFS24ST-PLYWD	24"	-	-	-		55 lbs. [24.9 kg.]	Wood	1	19.4 lbs. [8.8 kg.]
WFS28ST-PLYWD	28"	-	-	-		78 lbs. [35.4 kg.]	Wood	1	24.1 lbs. [10.9 kg.]
WFS32ST-PLYWD	32"	-	-	-		78 lbs. [35.4 kg.]	Wood	1	30.8 lbs. [14.0 kg.]
KIDNEY-SHAPED									
WKS24ST-PLYWD	24"	14-3/8" [365 mm]	2-3/8" [60 mm]	1-3/8" [35 mm]		45 lbs. [20.4 kg.]	Wood	1	17.4 lbs. [7.9 kg.]
WKS28ST-PLYWD	28"	20-7/16" [519 mm]	6-7/16" [164 mm]	4-1/4" [108 mm]		67 lbs. [30.4 kg.]	Wood	1	20.9 lbs. [9.5 kg.]
WKS32ST-PLYWD	32"	22-1/2" [572 mm]	6-1/2" [165 mm]	4-3/8" [111 mm]		93 lbs. [42.2 kg.]	Wood	1	20.4 lbs. [9.3 kg.]

See Page 29 for available Cabinet and Shelf Lip Dimensions for the part numbers on this page.

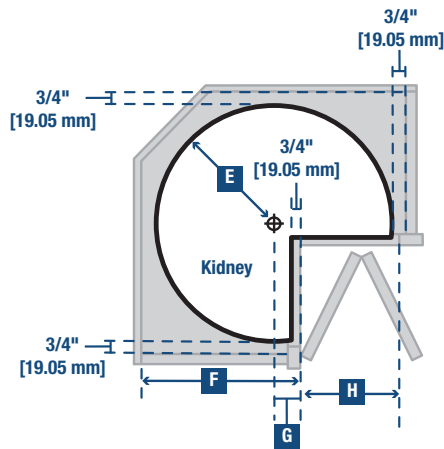
Tel. 800.253.1561
Fax 877.636.3290
www.kv.com



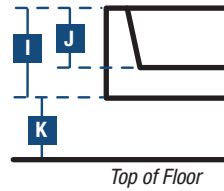
Cabinet and Shelf Lip Dimensions

KIDNEY-SHAPED LAZY SUSANS

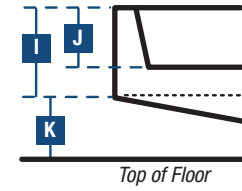
- E** = Radius
- F** = Min. Cabinet Depth
- G** = Center of Rotation
- H** = Min. Cabinet Opening



WOOD Shelf Lip



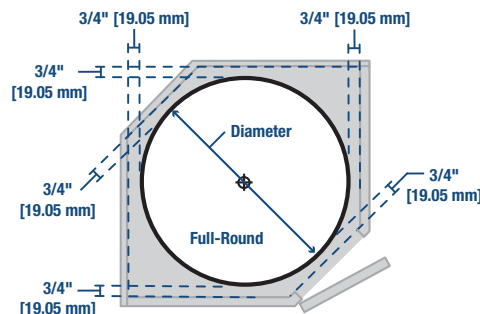
WIRE & POLYMER Shelf Lip



Stock #	E	F	G	H	I	J	K	Mounting
WOOD Kidney-Shaped Lazy Susans								
SDS-KD-28-FNW	14-7/16" [367 mm]	21-5/8" [549 mm]	6-7/16" [164 mm]	9-1/4" [235 mm]	4-1/8" [105 mm]	3-7/16" [87 mm]	2-1/16" [52 mm]	Top/Bottom
WKS24ST-PLYWD	12" [305 mm]	15-1/2" [394 mm]	4-1/8" [105 mm]	7-15/16" [202 mm]	1-5/8" [41 mm]	1-1/8" [29 mm]	1-15/16" [49 mm]	Top/Bottom
WKS28ST-PLYWD	14" [356 mm]	19-1/4" [489 mm]	4-3/4" [121 mm]	9-5/16" [237 mm]	1-5/8" [41 mm]	1-1/8" [29 mm]	1-15/16" [49 mm]	Top/Bottom
WKS32ST-PLYWD	16" [406 mm]	21-1/4" [540 mm]	4-3/4" [121 mm]	11-5/16" [287 mm]	1-5/8" [41 mm]	1-1/8" [29 mm]	1-15/16" [49 mm]	Top/Bottom
WIRE Kidney-Shaped Lazy Susans								
PC24STM-W	12" [305 mm]	15-3/16" [386 mm]	2-7/16" [62 mm]	10" [254 mm]	2" [51 mm]	1-3/4" [44 mm]	2-3/8" [60 mm]	Top/Bottom
PC28STM-W	14" [356 mm]	18-13/16" [478 mm]	4-1/16" [103 mm]	10-1/8" [257 mm]	2" [51 mm]	1-3/4" [44 mm]	2-3/8" [60 mm]	Top/Bottom
PC32STM-W	16" [406 mm]	20-7/8" [530 mm]	4-1/8" [105 mm]	12-1/16" [306 mm]	2" [51 mm]	1-3/4" [44 mm]	2-3/8" [60 mm]	Top/Bottom
PC24STM-FN	12" [305 mm]	15-3/16" [386 mm]	2-7/16" [62 mm]	10" [254 mm]	2" [51 mm]	1-3/4" [44 mm]	2-3/8" [60 mm]	Top/Bottom
PC28STM-FN	14" [356 mm]	18-13/16" [478 mm]	4-1/16" [103 mm]	10-1/8" [257 mm]	2" [51 mm]	1-3/4" [44 mm]	2-3/8" [60 mm]	Top/Bottom
PC32STM-FN	16" [406 mm]	20-7/8" [530 mm]	4-1/8" [105 mm]	12-1/16" [306 mm]	2" [51 mm]	1-3/4" [44 mm]	2-3/8" [60 mm]	Top/Bottom
POLYMER Kidney-Shaped Lazy Susans								
PKN18ST-W	9" [229 mm]	11-7/16" [291 mm]	1-11/16" [43 mm]	7-5/8" [194 mm]	1-3/4" [44 mm]	1" [25 mm]	1/2 - 1-5/16" [13 - 33 mm]	Top/Bottom
PKN24ST-W	12" [305 mm]	15-1/8" [384 mm]	2-3/8" [60 mm]	10" [254 mm]	1-3/4" [44 mm]	1" [25 mm]	1/2 - 1-5/16" [13 - 33 mm]	Top/Bottom
PKN28ST-W	14" [356 mm]	18-9/16" [471 mm]	3-13/16" [97 mm]	10-1/4" [260 mm]	1-3/4" [44 mm]	1" [25 mm]	1/2 - 1-5/16" [13 - 33 mm]	Top/Bottom
PKN32ST-W	16" [406 mm]	21-15/16" [557 mm]	5-3/16" [132 mm]	10-1/2" [267 mm]	1-3/4" [44 mm]	1" [25 mm]	1/2 - 1-5/16" [13 - 33 mm]	Top/Bottom

FULL-ROUND LAZY SUSANS

A minimum 3/4" side clearance is recommended between Full-Round Lazy Susan shelves and all adjacent interior surfaces (cabinet, wall, etc.).



Dimensions shown are recommended minimum cabinet dimensions and clearances.

Tel. 800.253.1561
Fax 877.636.3290
www.kv.com

