



72583B - MOTION/PIR SENSOR FOR LED ROUND SECURITY LIGHTS

WHITE



MODES:

- **AUTO:** At night, activate when detecting motion and auto off after a preselected delay time - 1min/5min/10min.
- **D2D:** Dusk to Dawn - Switching to D2D mode with LUX switched to minimum, the light will turn on all the time at dusk with 20-90Lux and turns off at dawn with 800Lux.
- **Manual Override Mode:** Turn wall switch OFF and ON within 2 seconds, and fixture will stay ON for 8 hours (or until the D2D sensor detects light in the morning) and return to AUTO mode automatically. Or turn the switch OFF and ON within 2 seconds again and fixture will be back to AUTO mode.
- **TEST MODE:** To test the sensor's functionality. Day or night, the light will turn on when motion is detected.

FEATURES:

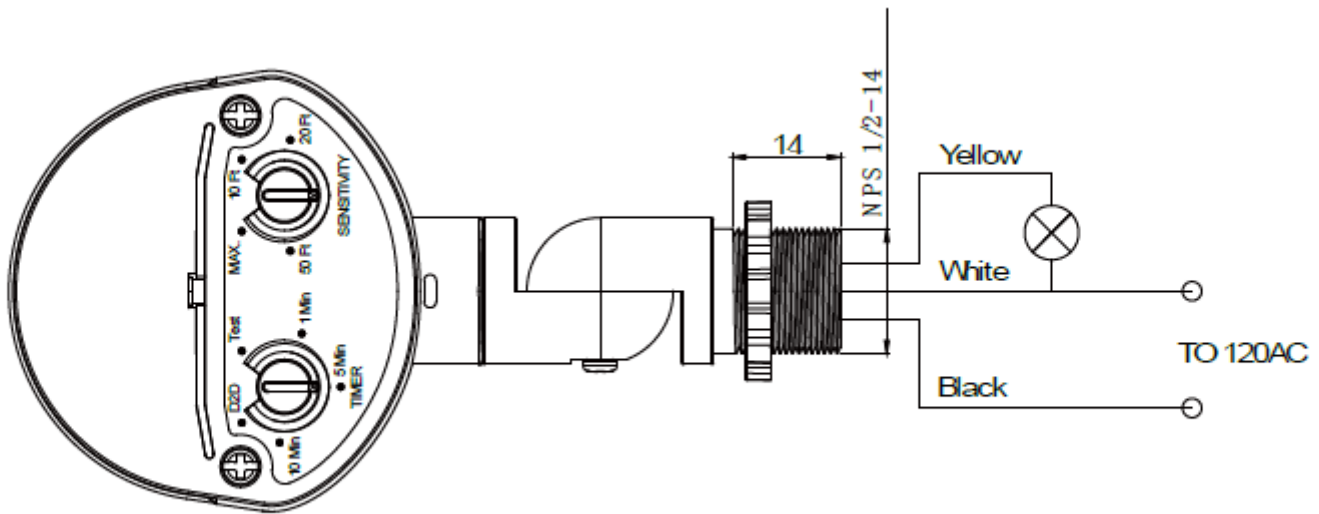
- Detection Range: max 180°
- Detection Distance: 5-60ft. (adjustable)
- Time Setting: 10 sec. - 10 min.
- Input Power: 120 VAC, 60Hz
- Load Rating: Max. 500W Incandescent lamp or Max 200W LED Driver/LED Bulb
- Operation LUX
 - OFF to ON 20-90LUX
 - ON to OFF Max: 800LUX
- Power Consumption: Max 0.5 Watts on stand-by
- Operation Temperature: -30°C ~ 50°C
- Plastic Enclosure in PC 5VA, UV Rating
- Used With Morris Items: 72580B, 72581B, 72568B, 72563B



72583B - MOTION/PIR SENSOR FOR LED ROUND SECURITY LIGHTS

WHITE

WIRING DIAGRAM:



Wires in 1007 18AWG 80°C 300V

PRODUCT DIMENSIONS:

