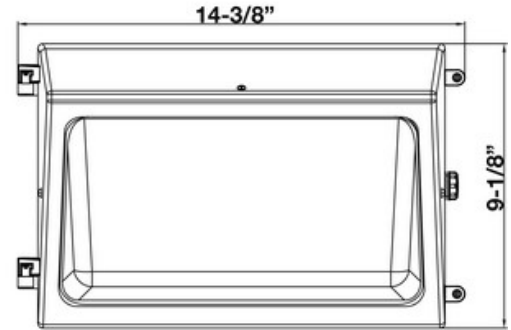
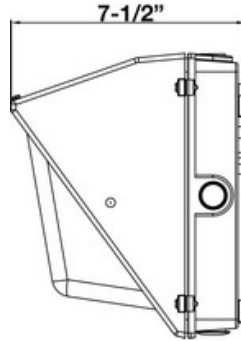




71634D - LED BRONZE MEDIUM WALLPACK

120-277V 90W 4000K



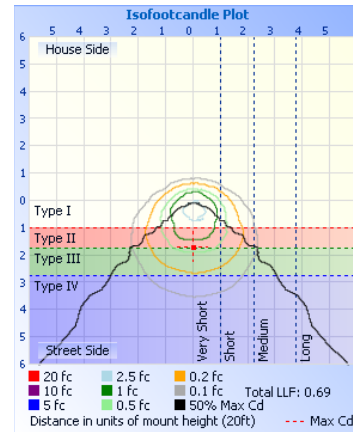
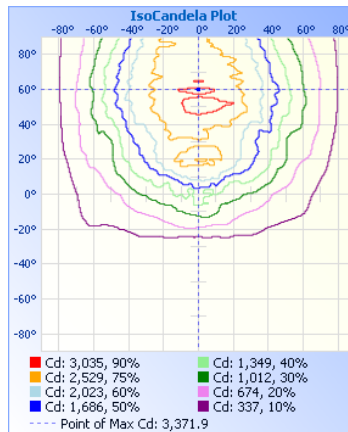
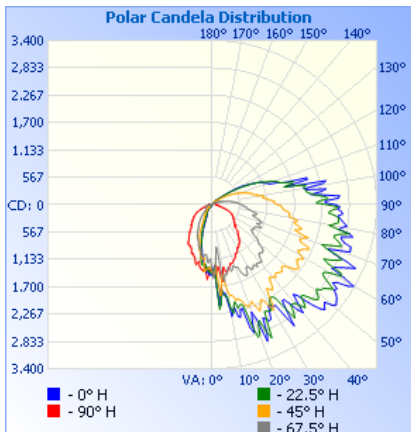
Built-In Photocell Included!

FEATURES:

- Die Cast Aluminum Housing/ Stainless Hardware
- Polyester Bronze Powder Coating
- Aluminum Heat Sink & Customized Fin Design for Optimal Heat Dissipation
- Heat Resistant Optics
- Borosilicate Glass Lens
- 0-10V Dimmable
- Operation Temperature: -40°F - 104°F
- Emergency Battery Backup (Sold Separately)
- Light Pattern: 110°
- Certifications: ETL/cETL
- DLC PRODUCT ID#: S-BLTCUN
- Wet Location Rated

| CAT NO. | HOUSING COLOR | WATTAGE | CCT | LUMENS | VOLTAGE | REPLACES METAL HALIDE | DIMMING |
|---------|---------------|---------|-------|--------|----------|-----------------------|---------|
| 71634D | Bronze | 90W | 4000K | 10,765 | 120-277V | 300W | 0-10V |

PHOTOMETRY





71634D - LED BRONZE MEDIUM WALLPACK

120-277V 90W 4000K

TECHNICAL SPECIFICATIONS:

Electrical:

Input Voltage: 120V-277V

Current: .65A@120V

Frequency: 50/60Hz

Power Factor: \geq .9

THD: 9%

Product Parameters:

Input Watts: 90W

Lumens: 10,765

Efficacy: 126 lumens per watt

50,000+ Hour L70 Life Span

CCT: 4000K (Cool White)

Chromacity Measurements: Beam

Angle: 111°

BUG Rating: B2-U5-G5

CRI: 74

R9: -23

Component Specifications:

LED: Lumileds 3030

120-277V, 50-60Hz

Driver Output Volts: 90-120V

Driver Output Amps: 1800mA

6KV Surge Protection

Dimming: 0-10V

Operating Temperature:

Minimum Starting: -40°F to 104°F

Construction:

Housing: Aluminum Alloy

Powder Coated

IP Rating: IP65 suitable for wet locations

Lens Material: Heat Resistant Polycarbonate

Lens UV Resistant, Fire Resistant

Mounting: Hinged Spider Plate

Listings:

ETL

DLC PRODUCT ID#: S-BLTCUN

Warranty:

Morris Products carries a 5 year warranty from date of purchase against defects in materials and workmanship (assuming normal and proper usage).