



# 71156C - SLIM-LINE WALLPACK

60/70/80W 3000K/4000K/5000K 120-277V

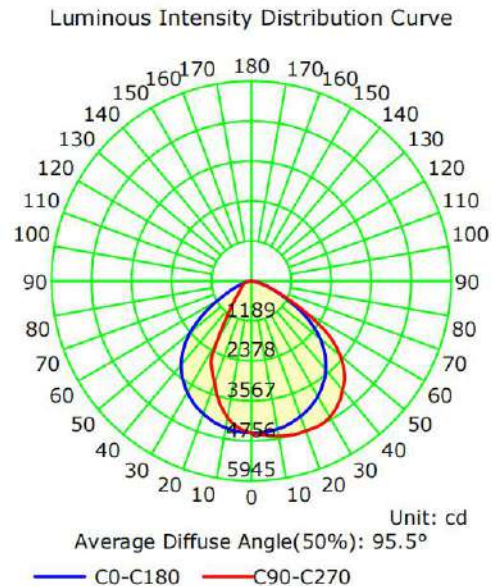
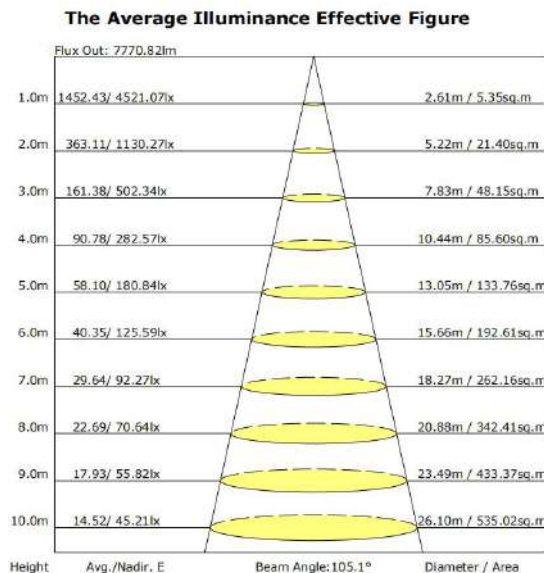


## FEATURES:

- Color Selectable: 3000K/4000K/5000K
- Wattage Selectable: 60W/70W/80W
- Photocell Included
- IP65 Wet Location Rated
- Operating Temp: -40°C TO 50°C
- 5 Year Warranty
- 0-10V Dimming
- Can be used as both a floodlight or wallpack
- Corrosion Resistant, Adjustable Die Cast Aluminum Housing
- 2.5kV Surge Protection

Part#	Housing Color	Wattage	Max Lumens	CCT	Voltage	Dimming	Light Pattern	Lumens/Watt	DLC ID
71156C	Bronze	60/70/80W	11,140	3/4/5K	120-277	0-10V	90° X 110°	140	S-9LBD4A

## PHOTOMETRY:





# 71156C - SLIMLINE WALLPACK

60/70/80W 3000K/4000K/5000K 120-277V

## TECHNICAL SPECIFICATIONS:

### ELECTRICAL:

Input Voltage: 120-277VAC

Current: 0.648

Frequency: 50/60Hz

Power Factor:  $\geq 0.9$

THD:  $\leq 20\%$

### PRODUCT PARAMETERS:

60/70/80 Wattage Selectable

Lumens: 11,140

Efficacy: 140 lumens per watt

50,000+ LED Life Span

Color Selectable:

3000K/4000K/5000K

### CHROMACITY MEASUREMENTS:

Beam Angle: 90° X 110°

CRI: >70

R9: -39

BUG: B2-U2-G1

DUV: 0.0021

Chromacity (x,y): x= 0.3845 y= 0.3838

Chromacity (u',v'): u(u')= 0.2250 v'(v')=0.5052

### COMPONENT SPECIFICATIONS:

LED: SMD3030

Driver: DAERMAY

Surge Protection: 2kV

Dimming: 0-10V

Operating temperature: -40°C TO 50°C

### CONSTRUCTION:

Housing: Die cast aluminum housing, powder coated - Bronze

IP Rating: IP65 Wet Location Rated

Lens Material: PC Lens

Mounting: Wall Mount

LISTINGS: cULus Listed, DLC Premium: S-9LBD4A

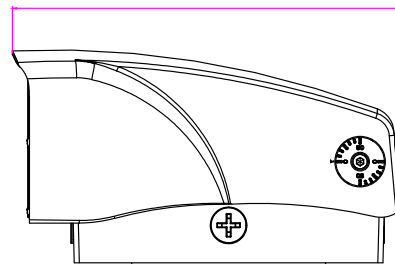
### WARRANTY:

Morris Products carries a 5 year warranty from date of purchase against defects in materials and workmanship (assuming normal and proper usage).

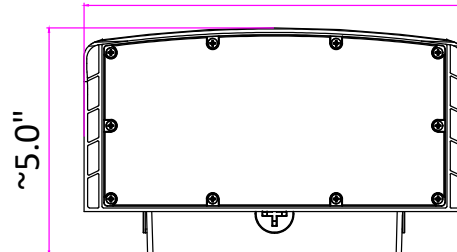
### LUMEN BREAKDOWN:

	80W	70W	60W
3000K	10280LM	9380LM	8040LM
4000K	11140LM	10360LM	9000LM
5000K	10830LM	9730LM	8520LM

~9.06"



~8.39"

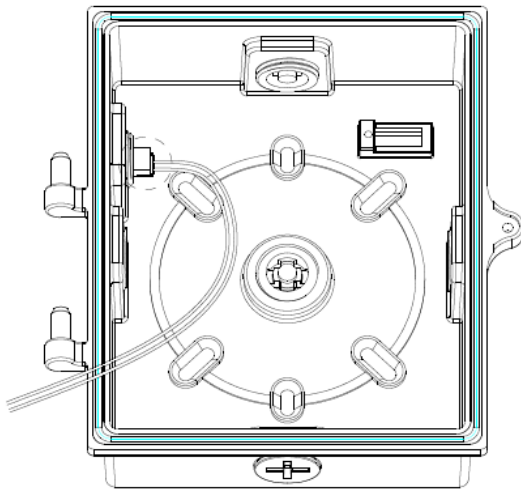




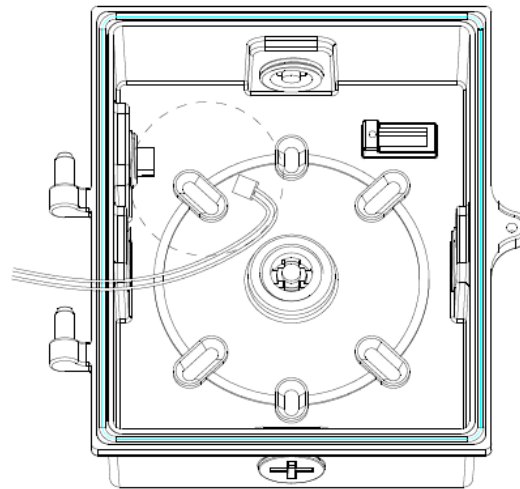
# 71156C - SLIMLINE WALLPACK

60/70/80W 3000K/4000K/5000K 120-277V

PHOTOCELL ON



PHOTOCELL OFF



To turn the photocell on, connect the cable as seen in the above image. To disable the photocell, disconnect the cable.