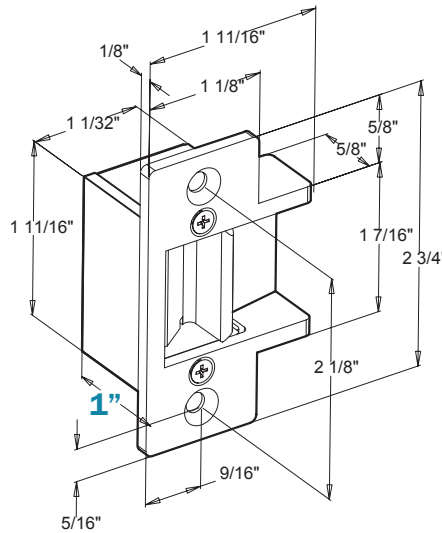


### 234 Faceplate - Smallest Electric Strike in the World

For new or replacement installations in metal frames. Use with cylindrical locksets having up to 5/8" throw, based on 1/8" door gap.



- 234-26D**  
(Satin Chrome – BHMA651)
- 234-US10B**  
(Dark Bronze – BHMA613)
- 234-US3**  
(Bright Brass – BHMA605)
- 234-US4**  
(Satin Brass – BHMA606)

Match with any 3000 Mechanism:  
3012, 3024, 30LC, 30RS

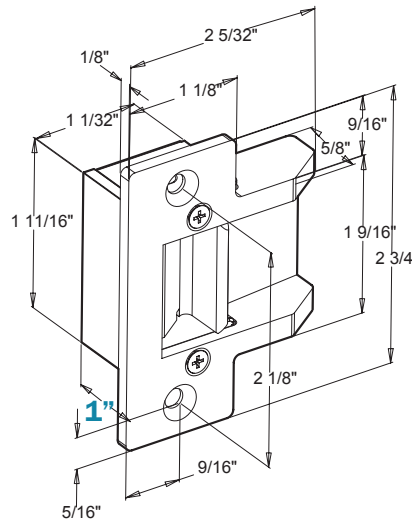
3000 Series



### 234X-375 Extended Faceplate

Standard ANSI prep features an extended ramp to accommodate additional face of

frames. Ramp is extended 3/8". For new or replacement installations. Use with cylindrical locksets having up to 5/8" throw, based on 1/8" door gap.



- 234X-375-26D**  
(Satin Chrome – BHMA651)
- 234X-375-US10B**  
(Dark Bronze – BHMA613)
- 234X-375-US3**  
(Bright Brass – BHMA605)

Match with any 3000 Mechanism:  
3012, 3024, 30LC, 30RS

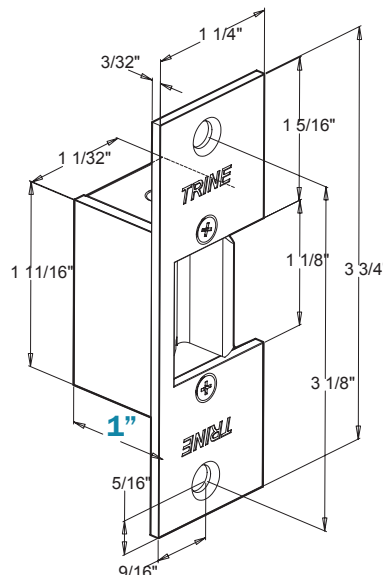
**Great for wood frames!**

**Made for Timely®/Redi® Frames**



### 334 Faceplate

For new or replacement installations in wood frames. Use with cylindrical locksets with up to 5/8" throw, based on 1/8" door gap.



- 334-26D**  
(Satin Chrome – BHMA651)
- 334-US3**  
(Bright Brass – BHMA605)
- 334-US4**  
(Satin Brass – BHMA606)

Match with any 3000 Mechanism:  
3012, 3024, 30LC, 30RS